



**CHECK OUT THESE
NEW PRODUCTS!**



RIVETS & RIVET GUNS

See Pages 388-390



ABRASIVES

See Pages 364-378



FITTINGS

See Pages 392-415



Now Stocking Fittings!

E-Z LOK

THREAD REPAIR

See Pages 176-177



PAINT

See Pages 338-341



LAWN & GARDEN BELTS

See Pages 265-268



TABLE OF CONTENTS

FASTENERS 4-181

Bolts	5-39
Nuts	40-63
Washers	64-78
Screws	79-103
Threaded Rod	104-106
Anchors	107-110
Socket Products	111-123
Pins	124-134
Rivets	135-142
Weld Fasteners	143-146
Rings	147-149
Metric Fasteners	150-175
Thread Repair	176-177
Assortments	178-179
Bins	180-181

POWER TRANSMISSION PRODUCTS . . 184-304

Bearings	184-235
Pulleys & Bushings	236-250
Sprockets & Hubs	251-261
V-Belts	262-276
Roller Chain	277-283
Steel Detachable Chain	284-286
Pintle Chain	288
Shafting	289
Couplers	290-295
Pump Adapters	296
Cross Bearings	297
Key Stock	298-300
Shaft Collars	301-302
Grease Fittings	303-304

LUBRICANTS & CHEMICALS 305-342

Hydraulic Fluid	308
Gear Oils	309-310
Motor Oils	311-312
Functional Fluids	313-314
Grease	315-320
Metal Working Fluids	321-322
Additives	325-328
Penetrating Oils	329, 342
Dry Lube	330
Cleaning Chemicals	331
Starting Fluid	332
Silicone Spray	332
Car Care	336
Hand Cleaners	337
Paint	338-341

TOOLS & ABRASIVES 344-390

Drill Bits	347-358
Taps & Dies	359-362
Hole Cutting & Expansion	362-363
Sanding Belts	364
Cut-Off Wheels	365-367
Grinding Wheels	367-368
Surface Prep	369
Flap Discs	370-371
Flap Wheels	372
Resin Fibre Discs	373
Surface Conditioning	374-375
Sanding Discs	375-376
Shop Rolls	377
Wire Brushes	377-378
Circular Saw Blades	379-380
Hole Saws	380
Reciprocating & Jigsaw Blades	381-382
Drive Bits	383-387
Rivet Guns	388-390

HOSE, PIPE, TUBE, & FITTINGS . . . 392-420

Brass Fittings	392-406
Compression Fittings	397-398
Hose Barb Fittings	399-401
DOT Fittings	401-406
Valves	406
Black & Galvanized Pipe Fittings	407-412
Pneumatic Fittings	413-415
Hose Clamps	416-417
Lines & Hoses	418-420

TOWING, CHAIN, & CABLE 422-434

Cable & Fittings	422-424
Chain & Hooks	425-429
Chain Fittings	430-432
Towing	433-434

ELECTRICAL 436-452

Terminals	436-445
Wire Management	446-447
Batteries	448
Wire	448-449
Trailer Connectors	450
Lighting	451
Fuses	451

TAPE, SEALING, & ADHESIVES 454-460

Caulk & Sealants	454
Thread Lockers	454-455
Gasket Makers	455-457
Tape	458
O-rings	459-460



SECTION 1: FASTENERS



NOTES

STAINLESS STEEL INFORMATION

18-8 Stainless Steel

Type 302, 303, 304, 305 stainless steel are all interchangeably called 18-8 stainless steel and are austenitic stainless steels. They have slight differences in chemical composition and their corrosion resistances vary only slightly. These are the most commonly used stainless steels and provide excellent corrosion resistance and are generally non magnetic. Strength for 18-8 stainless steel is between grade 2 and grade 5.

316 Stainless Steel

Type 316 stainless steel is also an austenitic stainless steel. It provides better corrosion resistance than 18-8 stainless steel and is non magnetic. Strength for 316 stainless steel is between grade 2 and grade 5.

400 Series Stainless Steel

Type 410 and 420 stainless steels are the 400 series stainless steels most commonly used in fasteners and they are also known as martensitic stainless steel. While 400 series stainless can be heat treated to provide strength it does not provide nearly as much corrosion resistance and it is magnetic.

We also can provide fasteners in other non ferrous materials such as: Brass, Aluminum, Silicone Bronze, and Titanium.

FASTENER COATING INFORMATION

Silver Zinc Plated

Silver Zinc is the most common coating for fasteners. It provides corrosion resistance for 24 hours in salt spray tests.

Yellow Zinc Plated

Yellow Zinc or Zinc Dichromate is most commonly used with grade 8 fasteners. It provides corrosion resistance for 72 hours in salt spray tests.

Plain Finish

Plain finish has no coating although it typically comes with an oil coating to provide some shelf life. It provides no corrosion resistance and is for indoor use only.

Hot Dip Galvanized

Hot Dip Galvanizing is used for outdoor applications and with treated lumber. It provides one of the best corrosion resistant coatings available.

Phosphate & Oil Coated

Phosphate & Oil coating is black or gray in color and is used on fasteners such as frame bolts and nuts. It provides corrosion resistance for 72 hours in salt spray tests.

Black Oxide Coated

Black Oxide is used when a black color is desired and not much corrosion resistance is needed. It provides corrosion resistance for 8 hours in salt spray tests.

HEX CAP SCREWS AND HEX BOLTS TECHNICAL INFORMATION

ROCKWELL HARDNESS

Grade	Core Hardness Rockwell
A307	B69-B100
5	C25-C34
8	C33- C39
9	C38-C42

COMMON IMPERIAL THREAD PITCHES

Coarse	Fine
#4-40	
#6-32	
#8-32	
#10-24	#10-32
#12-24	#12-28
1/4-20	1/4-28
5/16-18	5/16-24
3/8-16	3/8-24
7/16-14	7/16-20
1/2-13	1/2-20
9/16-12	9/16-18
5/8-11	5/8-18
3/4-10	3/4-16
7/8-9	7/8-14
1-8	1-14
1 1/8-7	1 1/8-12
1 1/4-7	1 1/4-12
1 1/2-6	1 1/2-12
1 3/4-5	1 3/4-12
2-4 1/2	2-12

SUGGESTED TORQUE VALUES FOR BOLTS

Values in IN-LBS through #10 and in FT-LBS 1/4 and up

DIAMETER & TPI	GRADE 2	GRADE 5	GRADE 8	18/8 STAINLESS STEEL
2-56	-	-	-	2.5
3-48	-	-	-	3.9
4-40	-	-	-	5.2
6-32	-	-	-	9.6
8-32	-	-	-	19.8
10-24	-	-	-	22.8
10-32	-	-	-	31.7
1/4-20	4-7	7-10	10-14	6.2
1/4-28	5-8	8-12	11-16	7.8
5/16-18	9-14	14-21	20-29	11
5/16-24	10-15	15-23	22-33	11.8
3/8-16	16-24	25-37	35-52	19.6
3/8-24	18-27	28-42	40-59	21.5
7/16-14	26-38	40-59	56-84	31.3
7/16-20	29-43	44-66	62-93	33.3
1/2-13	39-59	60-90	85-128	43
1/2-20	44-66	68-102	96-144	45
9/16-12	56-84	87-131	123-184	56.8
9/16-18	63-94	97-146	137-206	62.6
5/8-11	78-117	120-180	170-254	92.5
5/8-18	88-132	136-204	192-288	103
3/4-10	138-207	213-319	301-451	127
3/4-16	154-231	238-357	336-504	124
7/8-9	222-334	344-515	485-728	194
7/8-14	245-367	379-568	534-802	193
1-8	333-500	515-773	727-1091	286
1-14	373-560	577-866	815-1222	259
1 1/8-7	472-708	635-953	1030-1545	413
1 1/8-12	530-794	713-1069	1156-1733	390
1 1/4-7	666-999	896-1344	1454-2180	523
1 1/4-12	738-1107	993-1489	1610-2414	480

HEX CAP SCREWS AND HEX BOLTS TECHNICAL INFORMATION

TENSILE STRENGTHS

Coarse Thread

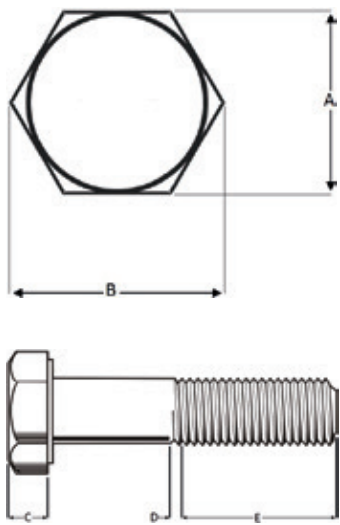
Diameter	Grade A307	Grade 5	Grade 8	Grade 9
1/4-20	1900	3800	4750	5724
5/16-18	3100	6300	7850	9432
3/8-16	4650	9300	11600	13950
7/16-14	6350	12800	15900	19134
1/2-13	8500	17000	21300	25542
9/16-12	11000	21800	27300	32760
5/8-11	13550	27100	33900	40680
3/4-10	20050	40100	50100	60120
7/8-9	27700	55400	69300	83460
1-8	36350	72700	90900	109080
1 1/8-7	45800	80100	114400	137340
1 1/4-7	58150	101700	145400	174420
1 1/2-6	84300	147500	210800	-

Fine Thread

Diameter	Grade 5	Grade 8	Grade 9
1/4-28	4350	5450	6552
5/16-24	6950	8700	10440
3/8-24	10500	13200	15804
7/16-20	14200	17800	21366
1/2-20	19200	24000	28782
9/16-18	24400	30400	36540
5/8-18	30700	38400	46080
3/4-16	44800	56000	67140
7/8-14	61100	76400	91620
1-14	81500	101900	119340
1 1/8-12	89900	128400	-
1 1/4-12	112700	161000	-
1 1/2-12	166000	237200	-

Endurance limits vary widely. Endurance limits of 10-20% of the tensile strength have been reported.

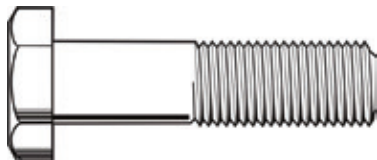
HEX CAP SCREW DIMENSIONS



Bolt Diameter	A		B		C		D		E
	Width Across Flats	Width Across Corners	A307, Grade 5, Grade 8	Grade 9	Basic Thread Length 6" and shorter	Basic Thread Length 6" and longer	Transition Thread Length		
1/4	7/16	.497	5/32	3/16	3/4	1	0.25		
5/16	1/2	.567	13/64	15/64	7/8	1 1/8	0.278		
3/8	9/16	.639	15/64	19/64	1	1 1/4	0.312		
7/16	5/8	.710	9/32	21/64	1 1/8	1 3/8	0.357		
1/2	3/4	.853	5/16	3/8	1 1/4	1 1/2	0.385		
9/16	13/16	.924	23/64	27/64	1 3/8	1 5/8	0.417		
5/8	15/16	1.067	25/64	15/32	1 1/2	1 3/4	0.455		
3/4	1 1/8	1.277	15/32	9/16	1 3/4	2	0.5		
7/8	1 5/16	1.491	35/64	21/32	2	2 1/4	0.556		
1	1 1/2	1.701	39/64	3/4	2 1/4	2 1/2	0.625		
1 1/8	1 11/16	1.904	11/16	27/32	2 1/2	2 3/4	0.714		
1 1/4	1 7/8	2.116	25/32	15/16	2 3/4	3	0.714		
1 1/2	2 1/4	2.539	15/16	-	3 1/4	3 1/2	0.833		

HEX BOLTS

GRADE 307A • COARSE THREAD • ZINC PLATED • IMPORTED



Hex Bolts Grade A307 are manufactured to ASTM A307 Grade A specs. They have a minimum tensile strength of 60,000 psi. Grade A307 is similar to Grade 2 and they are often used interchangeably although Grade 2 has a slightly higher tensile strength of 74,000 psi.

Part #	Size	Farm Pack Quantity	Shop Pack Quantity	Bulk Quantity
FH20404	1/4-20 X 1/2	25	100	4500
FH20405	1/4-20 X 5/8	25	100	4000
FH20406	1/4-20 X 3/4	25	100	3750
FH20407	1/4-20 X 7/8	25	100	3600
FH20408	1/4-20 X 1	25	100	3000
FH20410	1/4-20 X 1 1/4	25	100	2250
FH20412	1/4-20 X 1 1/2	25	100	1825
FH20416	1/4-20 X 2	25	100	1375
FH20418	1/4-20 X 2 1/4	25	100	1400
FH20420	1/4-20 X 2 1/2	25	100	1125
FH20424	1/4-20 X 3	25	100	875
FH20428	1/4-20 X 3 1/2	25	100	625
FH20432	1/4-20 X 4	25	100	500
FH20436	1/4-20 X 4 1/2	15	50	700
FH20440	1/4-20 X 5	15	50	350
FH20448	1/4-20 X 6	15	50	600
FH20504	5/16-18 X 1/2	25	100	2500
FH20506	5/16-18 X 3/4	25	100	2000
FH20508	5/16-18 X 1	25	100	1750
FH20510	5/16-18 X 1 1/4	25	100	1800
FH20512	5/16-18 X 1 1/2	25	100	1125
FH20514	5/16-18 X 1 3/4	25	100	1000
FH20516	5/16-18 X 2	25	100	925
FH20520	5/16-18 X 2 1/2	25	100	750
FH20524	5/16-18 X 3	25	100	575
FH20528	5/16-18 X 3 1/2	15	50	475
FH20532	5/16-18 X 4	15	50	375
FH20536	5/16-18 X 4 1/2	15	50	400
FH20540	5/16-18 X 5	15	50	250
FH20544	5/16-18 X 5 1/2	15	50	300
FH20548	5/16-18 X 6	15	50	300
FH20604	3/8-16 X 1/2	25	100	2000
FH20606	3/8-16 X 3/4	25	100	1500
FH20608	3/8-16 X 1	25	100	1200
FH20610	3/8-16 X 1 1/4	25	100	1000
FH20612	3/8-16 X 1 1/2	25	100	850
FH20616	3/8-16 X 2	25	100	625
FH20620	3/8-16 X 2 1/2	15	50	500

Part #	Size	Farm Pack Quantity	Shop Pack Quantity	Bulk Quantity
FH20624	3/8-16 X 3	15	50	450
FH20628	3/8-16 X 3 1/2	15	50	400
FH20632	3/8-16 X 4	15	50	300
FH20636	3/8-16 X 4 1/2	15	50	300
FH20640	3/8-16 X 5	15	50	175
FH20644	3/8-16 X 5 1/2	15	50	300
FH20648	3/8-16 X 6	15	50	125
FH20706	7/16-14 X 3/4	15	50	800
FH20708	7/16-14 X 1	15	50	800
FH20712	7/16-14 X 1 1/2	15	50	600
FH20716	7/16-14 X 2	15	50	500
FH20720	7/16-14 X 2 1/2	15	50	450
FH20724	7/16-14 X 3	15	50	350
FH20728	7/16-14 X 3 1/2	10	25	300
FH20732	7/16-14 X 4	10	25	250
FH20736	7/16-14 X 4 1/2	10	25	200
FH20740	7/16-14 X 5	10	25	175
FH20744	7/16-14 X 5 1/2	10	25	160
FH20748	7/16-14 X 6	10	25	150
FH20808	1/2-13 X 1	15	50	600
FH20810	1/2-13 X 1 1/4	15	50	500
FH20812	1/2-13 X 1 1/2	15	50	450
FH20814	1/2-13 X 1 3/4	15	50	400
FH20816	1/2-13 X 2	15	50	350
FH20818	1/2-13 X 2 1/4	15	50	300
FH20820	1/2-13 X 2 1/2	15	50	275
FH20824	1/2-13 X 3	15	50	250
FH20828	1/2-13 X 3 1/2	10	25	225
FH20832	1/2-13 X 4	10	25	200
FH20836	1/2-13 X 4 1/2	10	25	175
FH20840	1/2-13 X 5	10	25	110
FH20844	1/2-13 X 5 1/2	10	25	150
FH20848	1/2-13 X 6	10	25	100
FH20868	1/2-13 X 8 1/2	-	1	80

HEX BOLTS

GRADE 307A • COARSE THREAD • HOT DIP GALVANIZED • IMPORTED

Part #	Size	Farm Pack Quantity	Shop Pack Quantity	Bulk Quantity
FHG0506	5/16-18 X 3/4	25	100	2600
FHG0508	5/16-18 X 1	25	100	1900
FHG0524	5/16-18 X 3	25	100	700
FHG0606	3/8-16 X 3/4	25	100	1200
FHG0608	3/8-16 X 1	25	100	1500
FHG0610	3/8-16 X 1 1/4	25	100	1300
FHG0612	3/8-16 X 1 1/2	25	100	1000
FHG0620	3/8-16 X 2 1/2	15	50	650
FHG0632	3/8-16 X 4	15	50	325
FHG0820	1/2-13 X 2 1/2	15	50	300
FHG0832	1/2-13 X 4	10	25	200
FHG0848	1/2-13 X 6	10	25	150
FHG0856	1/2-13 X 7	-	1	150
FHG0860	1/2-13 X 7 1/2	-	1	90
FHG0864	1/2-13 X 8	-	1	125
FHG1016	5/8-11 X 2	10	25	250
FHG1020	5/8-11 X 2 1/2	10	25	200
FHG1056	5/8-11 X 7	-	1	70
FHG1064	5/8-11 X 8	-	1	60
FHG1080	5/8-11 X 10	-	1	50
FHG10112	5/8-11 X 14	-	1	35
FHG12128	3/4-10 X 16	-	1	25
FHG14126	7/8-9 X 16	-	1	20

Don't see the size you're looking for? Call us for availability!

HEX CAP SCREWS

GRADE 5 • COARSE THREAD • ZINC PLATED • MADE IN USA OR CANADA



Hex Cap Screws Grade 5 are manufactured to SAE J429 Grade 5 specs. 1/4" to 1" diameters have a minimum tensile strength of 120,000 psi and 1 1/8" to 1 1/2" diameters have a minimum tensile strength of 105,000 psi.

Part #	Size	Farm Pack Quantity	Shop Pack Quantity	Bulk Quantity
FH504004	1/4-20 X 1/2	30	100	3300
FH504005	1/4-20 X 5/8	30	100	3000
FH504006	1/4-20 X 3/4	30	100	2700
FH504007	1/4-20 X 7/8	30	100	2500
FH504008	1/4-20 X 1	30	100	2200
FH504010	1/4-20 X 1 1/4	30	100	1900
FH504012	1/4-20 X 1 1/2	30	100	1600
FH504014	1/4-20 X 1 3/4	30	100	1400
FH504016	1/4-20 X 2	30	100	1200
FH504018	1/4-20 X 2 1/4	30	100	1000
FH504020	1/4-20 X 2 1/2	30	100	900
FH504022	1/4-20 X 2 3/4	30	100	750
FH504024	1/4-20 X 3	30	100	750
FH504026	1/4-20 X 3 1/4	10	100	600
FH504028	1/4-20 X 3 1/2	10	100	550
FH504030	1/4-20 X 3 3/4	5	100	500
FH504032	1/4-20 X 4	5	100	450
FH504034	1/4-20 X 4 1/4	5	100	450
FH504036	1/4-20 X 4 1/2	5	100	450
FH504040	1/4-20 X 5	5	100	400
FH504044	1/4-20 X 5 1/2	5	100	400
FH504048	1/4-20 X 6	5	100	350
FH504052	1/4-20 X 6 1/2	-	1	350
FH504056	1/4-20 X 7	-	1	300
FH504064	1/4-20 X 8	-	1	275
FH505004	5/16-18 X 1/2	30	100	1950
FH505005	5/16-18 X 5/8	30	100	1800
FH505006	5/16-18 X 3/4	30	100	1650
FH505008	5/16-18 X 1	30	100	1400
FH505010	5/16-18 X 1 1/4	30	100	1100
FH505012	5/16-18 X 1 1/2	30	100	1000
FH505014	5/16-18 X 1 3/4	30	100	850
FH505016	5/16-18 X 2	30	100	800
FH505018	5/16-18 X 2 1/4	30	100	700
FH505020	5/16-18 X 2 1/2	30	100	600
FH505022	5/16-18 X 2 3/4	30	100	550
FH505024	5/16-18 X 3	30	100	500
FH505026	5/16-18 X 3 1/4	10	50	450
FH505028	5/16-18 X 3 1/2	10	50	450

Part #	Size	Farm Pack Quantity	Shop Pack Quantity	Bulk Quantity
FH505030	5/16-18 X 3 3/4	5	50	400
FH505032	5/16-18 X 4	5	50	400
FH505036	5/16-18 X 4 1/2	5	50	300
FH505040	5/16-18 X 5	5	50	250
FH505044	5/16-18 X 5 1/2	5	50	250
FH505048	5/16-18 X 6	5	50	250
FH505052	5/16-18 X 6 1/2	-	1	250
FH505056	5/16-18 X 7	-	1	225
FH505064	5/16-18 X 8	-	1	225
FH506004	3/8-16 X 1/2	30	100	1300
FH506005	3/8-16 X 5/8	30	100	1200
FH506006	3/8-16 X 3/4	30	100	1100
FH506008	3/8-16 X 1	30	100	900
FH506010	3/8-16 X 1 1/4	30	100	800
FH506011	3/8-16 X 1 3/8	30	100	675
FH506012	3/8-16 X 1 1/2	30	100	675
FH506014	3/8-16 X 1 3/4	30	100	600
FH506016	3/8-16 X 2	30	100	550
FH506018	3/8-16 X 2 1/4	30	50	450
FH506020	3/8-16 X 2 1/2	30	50	400
FH506022	3/8-16 X 2 3/4	10	50	400
FH506024	3/8-16 X 3	10	50	325
FH506026	3/8-16 X 3 1/4	10	50	325
FH506028	3/8-16 X 3 1/2	10	50	300
FH506030	3/8-16 X 3 3/4	5	50	250
FH506032	3/8-16 X 4	5	50	250
FH506034	3/8-16 X 4 1/4	5	50	225
FH506036	3/8-16 X 4 1/2	5	50	225
FH506040	3/8-16 X 5	5	50	225
FH506044	3/8-16 X 5 1/2	5	50	175
FH506048	3/8-16 X 6	5	50	175
FH506052	3/8-16 X 6 1/2	-	1	175
FH506056	3/8-16 X 7	-	1	150
FH506060	3/8-16 X 7 1/2	-	1	150
FH506064	3/8-16 X 8	-	1	150
FH506068	3/8-16 X 8 1/2	-	1	130
FH506072	3/8-16 X 9	-	1	130
FH506076	3/8-16 X 9 1/2	-	1	125
FH506080	3/8-16 X 10	-	1	120

HEX CAP SCREWS

GRADE 5 • COARSE THREAD • ZINC PLATED • MADE IN USA OR CANADA

Part #	Size	Farm Pack Quantity	Shop Pack Quantity	Bulk Quantity
FH506088	3/8-16 X 11	-	1	110
FH506096	3/8-16 X 12	-	1	100
FH506104	3/8-16 X 13	-	1	90
FH507006	7/16-14 X 3/4	20	50	750
FH507008	7/16-14 X 1	20	50	650
FH507010	7/16-14 X 1 1/4	20	50	550
FH507012	7/16-14 X 1 1/2	20	50	500
FH507014	7/16-14 X 1 3/4	10	50	450
FH507016	7/16-14 X 2	10	50	400
FH507018	7/16-14 X 2 1/4	10	50	350
FH507020	7/16-14 X 2 1/2	10	50	300
FH507022	7/16-14 X 2 3/4	10	50	300
FH507024	7/16-14 X 3	10	50	275
FH507026	7/16-14 X 3 1/4	10	25	250
FH507028	7/16-14 X 3 1/2	10	25	225
FH507030	7/16-14 X 3 3/4	10	25	225
FH507032	7/16-14 X 4	10	25	200
FH507036	7/16-14 X 4 1/2	5	25	175
FH507040	7/16-14 X 5	5	25	150
FH507044	7/16-14 X 5 1/2	5	25	150
FH507048	7/16-14 X 6	5	25	125
FH507052	7/16-14 X 6 1/2	-	1	125
FH507056	7/16-14 X 7	-	1	125
FH507064	7/16-14 X 8	-	1	110
FH507072	7/16-14 X 9	-	1	100
FH507080	7/16-14 X 10	-	1	90
FH508006	1/2-13 X 3/4	10	50	475
FH508008	1/2-13 X 1	10	50	400
FH508010	1/2-13 X 1 1/4	10	50	375
FH508012	1/2-13 X 1 1/2	10	50	300
FH508014	1/2-13 X 1 3/4	10	50	275
FH508016	1/2-13 X 2	10	50	250
FH508018	1/2-13 X 2 1/4	10	50	225
FH508020	1/2-13 X 2 1/2	10	50	225
FH508022	1/2-13 X 2 3/4	10	50	200
FH508024	1/2-13 X 3	10	50	200
FH508026	1/2-13 X 3 1/4	10	25	175
FH508028	1/2-13 X 3 1/2	10	25	150
FH508030	1/2-13 X 3 3/4	10	25	150
FH508032	1/2-13 X 4	10	25	150
FH508036	1/2-13 X 4 1/2	5	25	125
FH508040	1/2-13 X 5	5	25	125
FH508044	1/2-13 X 5 1/2	5	25	100

Part #	Size	Farm Pack Quantity	Shop Pack Quantity	Bulk Quantity
FH508048	1/2-13 X 6	5	25	100
FH508052	1/2-13 X 6 1/2	-	1	100
FH508056	1/2-13 X 7	-	1	90
FH508060	1/2-13 X 7 1/2	-	1	80
FH508064	1/2-13 X 8	-	1	80
FH508068	1/2-13 X 8 1/2	-	1	80
FH508072	1/2-13 X 9	-	1	75
FH508076	1/2-13 X 9 1/2	-	1	70
FH508080	1/2-13 X 10	-	1	65
FH508088	1/2-13 X 11	-	1	60
FH508096	1/2-13 X 12	-	1	55
FH508104	1/2-13 X 13	-	1	50
FH508120	1/2-13 X 15	-	1	45
FH509008	9/16-12 X 1	5	25	350
FH509010	9/16-12 X 1 1/4	5	25	300
FH509012	9/16-12 X 1 1/2	5	25	275
FH509014	9/16-12 X 1 3/4	5	25	250
FH509016	9/16-12 X 2	5	25	225
FH509018	9/16-12 X 2 1/4	5	25	200
FH509020	9/16-12 X 2 1/2	5	25	175
FH509022	9/16-12 X 2 3/4	5	25	150
FH509024	9/16-12 X 3	5	25	150
FH509028	9/16-12 X 3 1/2	5	25	125
FH509032	9/16-12 X 4	5	25	100
FH509036	9/16-12 X 4 1/2	5	25	100
FH509040	9/16-12 X 5	5	25	100
FH509044	9/16-12 X 5 1/2	5	25	75
FH509048	9/16-12 X 6	5	25	75
FH509056	9/16-12 X 7	-	1	65
FH510008	5/8-11 X 1	5	25	250
FH510010	5/8-11 X 1 1/4	5	25	225
FH510012	5/8-11 X 1 1/2	5	25	200
FH510014	5/8-11 X 1 3/4	5	25	175
FH510016	5/8-11 X 2	5	25	175
FH510018	5/8-11 X 2 1/4	5	25	150
FH510020	5/8-11 X 2 1/2	5	25	125
FH510022	5/8-11 X 2 3/4	5	25	125
FH510024	5/8-11 X 3	5	25	100
FH510026	5/8-11 X 3 1/4	5	25	100
FH510028	5/8-11 X 3 1/2	5	25	100
FH510030	5/8-11 X 3 3/4	5	25	100
FH510032	5/8-11 X 4	5	25	90
FH510036	5/8-11 X 4 1/2	5	25	80

HEX CAP SCREWS

GRADE 5 • COARSE THREAD • ZINC PLATED • MADE IN USA OR CANADA

Part #	Size	Farm Pack Quantity	Shop Pack Quantity	Bulk Quantity
FH510040	5/8-11 X 5	5	25	75
FH510044	5/8-11 X 5 1/2	5	25	70
FH510048	5/8-11 X 6	5	20	65
FH510052	5/8-11 X 6 1/2	-	1	60
FH510056	5/8-11 X 7	-	1	55
FH510060	5/8-11 X 7 1/2	-	1	55
FH510064	5/8-11 X 8	-	1	50
FH510068	5/8-11 X 8 1/2	-	1	50
FH510072	5/8-11 X 9	-	1	45
FH510080	5/8-11 X 10	-	1	40
FH510088	5/8-11 X 11	-	1	40
FH510096	5/8-11 X 12	-	1	35
FH510112	5/8-11 X 14	-	1	30
FH510120	5/8-11 X 15	-	1	30
FH512008	3/4-10 X 1	5	20	150
FH512010	3/4-10 X 1 1/4	5	20	140
FH512012	3/4-10 X 1 1/2	5	20	125
FH512014	3/4-10 X 1 3/4	5	20	120
FH512016	3/4-10 X 2	5	20	100
FH512018	3/4-10 X 2 1/4	5	20	100
FH512020	3/4-10 X 2 1/2	5	20	90
FH512022	3/4-10 X 2 3/4	5	20	85
FH512024	3/4-10 X 3	5	20	80
FH512026	3/4-10 X 3 1/4	5	20	75
FH512028	3/4-10 X 3 1/2	5	20	70
FH512032	3/4-10 X 4	5	20	60
FH512036	3/4-10 X 4 1/2	5	20	55
FH512040	3/4-10 X 5	5	15	45
FH512044	3/4-10 X 5 1/2	5	15	45
FH512048	3/4-10 X 6	-	1	40
FH512052	3/4-10 X 6 1/2	-	1	40
FH512056	3/4-10 X 7	-	1	35
FH512060	3/4-10 X 7 1/2	-	1	35
FH512064	3/4-10 X 8	-	1	35
FH512068	3/4-10 X 8 1/2	-	1	30
FH512072	3/4-10 X 9	-	1	30
FH512080	3/4-10 X 10	-	1	30
FH512088	3/4-10 X 11	-	1	25
FH512096	3/4-10 X 12	-	1	25
FH512104	3/4-10 X 13	-	1	20
FH512120	3/4-10 X 15	-	1	20
FH514012	7/8-9 X 1 1/2	5	15	85
FH514014	7/8-9 X 1 3/4	5	15	80

Part #	Size	Farm Pack Quantity	Shop Pack Quantity	Bulk Quantity
FH514016	7/8-9 X 2	5	15	75
FH514020	7/8-9 X 2 1/2	5	15	65
FH514024	7/8-9 X 3	5	15	55
FH514028	7/8-9 X 3 1/2	-	1	50
FH514032	7/8-9 X 4	-	1	45
FH514036	7/8-9 X 4 1/2	-	1	40
FH514040	7/8-9 X 5	-	1	35
FH514044	7/8-9 X 5 1/2	-	1	35
FH514048	7/8-9 X 6	-	1	30
FH514052	7/8-9 X 6 1/2	-	1	30
FH514056	7/8-9 X 7	-	1	25
FH514060	7/8-9 X 7 1/2	-	1	25
FH514064	7/8-9 X 8	-	1	25
FH516012	1-8 X 1 1/2	5	10	55
FH516016	1-8 X 2	5	10	50
FH516020	1-8 X 2 1/2	5	10	45
FH516024	1-8 X 3	5	10	40
FH516028	1-8 X 3 1/2	-	1	35
FH516032	1-8 X 4	-	1	35
FH516036	1-8 X 4 1/2	-	1	30
FH516040	1-8 X 5	-	1	25
FH516044	1-8 X 5 1/2	-	1	25
FH516048	1-8 X 6	-	1	25
FH516052	1-8 X 6 1/2	-	1	20
FH516056	1-8 X 7	-	1	20
FH516060	1-8 X 7 1/2	-	1	20
FH516064	1-8 X 8	-	1	18
FH516072	1-8 X 9	-	1	15
FH516080	1-8 X 10	-	1	15

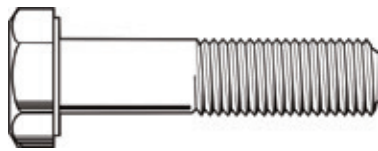
HEX CAP SCREWS

GRADE 5 • COARSE THREAD • PLAIN FINISH • MADE IN USA OR CANADA

Part #	Size	Farm Pack Quantity	Shop Pack Quantity	Bulk Quantity
FH5P05012	5/16-18 X 1 1/2	25	100	1000
FH5P05018	5/16-18 X 2 1/4	25	100	700
FH5P06008	3/8-16 X 1	25	100	900
FH5P06022	3/8-16 X 2 3/4	15	50	400
FH5P07008	7/16-14 X 1	15	50	650
FH5P07010	7/16-14 X 1 1/4	15	50	550
FH5P07060	7/16-14 X 7 1/2	-	1	110
FH5P08008	1/2-13 X 1	15	50	400
FH5P08032	1/2-13 X 4	10	25	150
FH5P10016	5/8-11 X 2	10	25	175
FH5P10024	5/8-11 X 3	10	25	100
FH5P10028	5/8-11 X 3 1/2	10	25	100
FH5P10072	5/8-11 X 9	-	1	45
FH5P12032	3/4-10 X 4	5	20	60

Don't see the size you're looking for? Call us for availability!

GRADE 8 • COARSE THREAD • YELLOW ZINC PLATED • MADE IN USA OR CANADA



Hex Cap Screws Grade 8 are manufactured to SAE J429 Grade 8 specs. They have a minimum tensile strength of 150,000 psi.

Part #	Size	Farm Pack Quantity	Shop Pack Quantity	Bulk Quantity
FH80404	1/4-20 X 1/2	25	100	3300
FH80406	1/4-20 X 3/4	25	100	2700
FH80408	1/4-20 X 1	25	100	2200
FH80410	1/4-20 X 1 1/4	25	100	1900
FH80412	1/4-20 X 1 1/2	25	100	1600
FH80414	1/4-20 X 1 3/4	25	100	1400
FH80416	1/4-20 X 2	25	100	1200
FH80418	1/4-20 X 2 1/4	25	100	1000
FH80420	1/4-20 X 2 1/2	25	100	900
FH80422	1/4-20 X 2 3/4	25	100	750
FH80424	1/4-20 X 3	25	100	750
FH80426	1/4-20 X 3 1/4	25	100	600
FH80428	1/4-20 X 3 1/2	25	100	550
FH80430	1/4-20 X 3 3/4	25	100	500
FH80432	1/4-20 X 4	25	100	450
FH80436	1/4-20 X 4 1/2	15	50	450
FH80440	1/4-20 X 5	15	50	400
FH80444	1/4-20 X 5 1/2	15	50	400

Part #	Size	Farm Pack Quantity	Shop Pack Quantity	Bulk Quantity
FH80448	1/4-20 X 6	15	50	350
FH80504	5/16-18 X 1/2	25	100	1950
FH80506	5/16-18 X 3/4	25	100	1650
FH80508	5/16-18 X 1	25	100	1400
FH80510	5/16-18 X 1 1/4	25	100	1100
FH80512	5/16-18 X 1 1/2	25	100	1000
FH80514	5/16-18 X 1 3/4	25	100	850
FH80516	5/16-18 X 2	25	100	800
FH80518	5/16-18 X 2 1/4	25	100	700
FH80520	5/16-18 X 2 1/2	25	100	600
FH80522	5/16-18 X 2 3/4	25	100	550
FH80524	5/16-18 X 3	25	100	500
FH80526	5/16-18 X 3 1/4	15	50	450
FH80528	5/16-18 X 3 1/2	15	50	450
FH80530	5/16-18 X 3 3/4	15	50	400
FH80532	5/16-18 X 4	15	50	400
FH80536	5/16-18 X 4 1/2	15	50	300
FH80540	5/16-18 X 5	15	50	250

HEX CAP SCREWS

GRADE 8 • COARSE THREAD • YELLOW ZINC PLATED • MADE IN USA OR CANADA

Part #	Size	Farm Pack Quantity	Shop Pack Quantity	Bulk Quantity
FH80544	5/16-18 X 5 1/2	15	50	250
FH80548	5/16-18 X 6	15	50	250
FH80556	5/16-18 X 7	-	1	225
FH80564	5/16-18 X 8	-	1	225
FH80604	3/8-16 X 1/2	25	100	1300
FH80606	3/8-16 X 3/4	25	100	1100
FH80608	3/8-16 X 1	25	100	900
FH80610	3/8-16 X 1 1/4	25	100	800
FH80612	3/8-16 X 1 1/2	25	100	675
FH80614	3/8-16 X 1 3/4	25	100	600
FH80616	3/8-16 X 2	25	100	550
FH80618	3/8-16 X 2 1/4	15	50	450
FH80620	3/8-16 X 2 1/2	15	50	400
FH80622	3/8-16 X 2 3/4	15	50	400
FH80624	3/8-16 X 3	15	50	325
FH80626	3/8-16 X 3 1/4	15	50	325
FH80628	3/8-16 X 3 1/2	15	50	300
FH80630	3/8-16 X 3 3/4	15	50	250
FH80632	3/8-16 X 4	15	50	250
FH80636	3/8-16 X 4 1/2	15	50	225
FH80640	3/8-16 X 5	15	50	225
FH80644	3/8-16 X 5 1/2	15	50	175
FH80648	3/8-16 X 6	15	50	175
FH80656	3/8-16 X 7	-	1	150
FH80664	3/8-16 X 8	-	1	150
FH80680	3/8-16 X 10	-	1	120
FH80706	7/16-14 X 3/4	15	50	750
FH80708	7/16-14 X 1	15	50	650
FH80710	7/16-14 X 1 1/4	15	50	550
FH80712	7/16-14 X 1 1/2	15	50	500
FH80714	7/16-14 X 1 3/4	15	50	450
FH80716	7/16-14 X 2	15	50	400
FH80718	7/16-14 X 2 1/4	15	50	350
FH80720	7/16-14 X 2 1/2	15	50	300
FH80722	7/16-14 X 2 3/4	15	50	300
FH80724	7/16-14 X 3	15	50	275
FH80726	7/16-14 X 3 1/4	10	25	250
FH80728	7/16-14 X 3 1/2	10	25	225
FH80730	7/16-14 X 3 3/4	10	25	225
FH80732	7/16-14 X 4	10	25	200
FH80736	7/16-14 X 4 1/2	10	25	175
FH80740	7/16-14 X 5	10	25	150
FH80744	7/16-14 X 5 1/2	10	25	150

Part #	Size	Farm Pack Quantity	Shop Pack Quantity	Bulk Quantity
FH80748	7/16-14 X 6	10	25	125
FH80756	7/16-14 X 7	-	1	125
FH80764	7/16-14 X 8	-	1	110
FH80806	1/2-13 X 3/4	15	50	475
FH80808	1/2-13 X 1	15	50	400
FH80810	1/2-13 X 1 1/4	15	50	375
FH80812	1/2-13 X 1 1/2	15	50	300
FH80814	1/2-13 X 1 3/4	15	50	275
FH80816	1/2-13 X 2	15	50	250
FH80818	1/2-13 X 2 1/4	15	50	225
FH80820	1/2-13 X 2 1/2	15	50	225
FH80822	1/2-13 X 2 3/4	15	50	200
FH80824	1/2-13 X 3	15	50	200
FH80826	1/2-13 X 3 1/4	10	25	175
FH80828	1/2-13 X 3 1/2	10	25	150
FH80830	1/2-13 X 3 3/4	10	25	150
FH80832	1/2-13 X 4	10	25	150
FH80836	1/2-13 X 4 1/2	10	25	125
FH80840	1/2-13 X 5	10	25	125
FH80844	1/2-13 X 5 1/2	10	25	100
FH80848	1/2-13 X 6	10	25	100
FH80852	1/2-13 X 6 1/2	-	1	100
FH80856	1/2-13 X 7	-	1	90
FH80860	1/2-13 X 7 1/2	-	1	80
FH80864	1/2-13 X 8	-	1	80
FH80880	1/2-13 X 10	-	1	65
FH80896	1/2-13 X 12	-	1	55
FH80908	9/16-12 X 1	10	25	350
FH80910	9/16-12 X 1 1/4	10	25	300
FH80912	9/16-12 X 1 1/2	10	25	275
FH80914	9/16-12 X 1 3/4	10	25	250
FH80916	9/16-12 X 2	10	25	225
FH80918	9/16-12 X 2 1/4	10	25	200
FH80920	9/16-12 X 2 1/2	10	25	175
FH80922	9/16-12 X 2 3/4	10	25	150
FH80924	9/16-12 X 3	10	25	150
FH80926	9/16-12 X 3 1/4	10	25	125
FH80928	9/16-12 X 3 1/2	10	25	125
FH80930	9/16-12 X 3 3/4	10	25	125
FH80932	9/16-12 X 4	10	25	100
FH80936	9/16-12 X 4 1/2	10	25	100
FH80940	9/16-12 X 5	10	25	100
FH80948	9/16-12 X 6	10	25	75

HEX CAP SCREWS

GRADE 8 • COARSE THREAD • YELLOW ZINC PLATED • MADE IN USA OR CANADA

Part #	Size	Farm Pack Quantity	Shop Pack Quantity	Bulk Quantity
FH80964	9/16-12 X 8	-	1	65
FH81008	5/8-11 X 1	10	25	250
FH81010	5/8-11 X 1 1/4	10	25	225
FH81012	5/8-11 X 1 1/2	10	25	200
FH81014	5/8-11 X 1 3/4	10	25	175
FH81016	5/8-11 X 2	10	25	175
FH81018	5/8-11 X 2 1/4	10	25	150
FH81020	5/8-11 X 2 1/2	10	25	125
FH81022	5/8-11 X 2 3/4	10	25	125
FH81024	5/8-11 X 3	10	25	100
FH81026	5/8-11 X 3 1/4	10	25	100
FH81028	5/8-11 X 3 1/2	10	25	100
FH81030	5/8-11 X 3 3/4	10	25	100
FH81032	5/8-11 X 4	10	25	90
FH81036	5/8-11 X 4 1/2	10	25	80
FH81040	5/8-11 X 5	10	25	75
FH81044	5/8-11 X 5 1/2	10	25	70
FH81048	5/8-11 X 6	5	20	65
FH81052	5/8-11 X 6 1/2	-	1	60
FH81056	5/8-11 X 7	-	1	55
FH81064	5/8-11 X 8	-	1	50
FH81068	5/8-11 X 8 1/2	-	1	50
FH81072	5/8-11 X 9	-	1	45
FH81080	5/8-11 X 10	-	1	40
FH81088	5/8-11 X 11	-	1	40
FH81096	5/8-11 X 12	-	1	35
FH810104	5/8-11 X 13	-	1	30
FH81208	3/4-10 X 1	5	20	150
FH81210	3/4-10 X 1 1/4	5	20	140
FH81212	3/4-10 X 1 1/2	5	20	125
FH81214	3/4-10 X 1 3/4	5	20	120
FH81216	3/4-10 X 2	5	20	100
FH81218	3/4-10 X 2 1/4	5	20	100
FH81220	3/4-10 X 2 1/2	5	20	90
FH81222	3/4-10 X 2 3/4	5	20	85
FH81224	3/4-10 X 3	5	20	80
FH81226	3/4-10 X 3 1/4	5	20	75
FH81228	3/4-10 X 3 1/2	5	20	70
FH81230	3/4-10 X 3 3/4	5	20	65
FH81232	3/4-10 X 4	5	20	60
FH81236	3/4-10 X 4 1/2	5	20	55
FH81240	3/4-10 X 5	5	15	45
FH81244	3/4-10 X 5 1/2	5	15	45

Part #	Size	Farm Pack Quantity	Shop Pack Quantity	Bulk Quantity
FH81248	3/4-10 X 6	-	1	40
FH81252	3/4-10 X 6 1/2	-	1	40
FH81256	3/4-10 X 7	-	1	35
FH81260	3/4-10 X 7 1/2	-	1	35
FH81264	3/4-10 X 8	-	1	35
FH81268	3/4-10 X 8 1/2	-	1	30
FH81272	3/4-10 X 9	-	1	30
FH81276	3/4-10 X 9 1/2	-	1	30
FH81280	3/4-10 X 10	-	1	30
FH81288	3/4-10 X 11	-	1	25
FH81296	3/4-10 X 12	-	1	25
FH812104	3/4-10 X 13	-	1	20
FH81416	7/8-9 X 2	5	15	75
FH81420	7/8-9 X 2 1/2	5	15	65
FH81424	7/8-9 X 3	5	15	55
FH81428	7/8-9 X 3 1/2	-	1	50
FH81432	7/8-9 X 4	-	1	45
FH81436	7/8-9 X 4 1/2	-	1	40
FH81440	7/8-9 X 5	-	1	35
FH81444	7/8-9 X 5 1/2	-	1	35
FH81448	7/8-9 X 6	-	1	30
FH81452	7/8-9 X 6 1/2	-	1	30
FH81456	7/8-9 X 7	-	1	25
FH81464	7/8-9 X 8	-	1	25
FH81472	7/8-9 X 9	-	1	23
FH81480	7/8-9 X 10	-	1	20
FH81488	7/8-9 X 11	-	1	19
FH81496	7/8-9 X 12	-	1	17
FH814104	7/8-9 X 13	-	1	16
FH81612	1-8 X 1 1/2	3	10	55
FH81616	1-8 X 2	3	10	50
FH81620	1-8 X 2 1/2	3	10	45
FH81624	1-8 X 3	3	10	40
FH81628	1-8 X 3 1/2	-	1	35
FH81632	1-8 X 4	-	1	35
FH81636	1-8 X 4 1/2	-	1	30
FH81640	1-8 X 5	-	1	25
FH81648	1-8 X 6	-	1	25
FH81652	1-8 X 6 1/2	-	1	20
FH81656	1-8 X 7	-	1	20
FH81664	1-8 X 8	-	1	18
FH81672	1-8 X 9	-	1	15
FH81680	1-8 X 10	-	1	15

HEX CAP SCREWS

GRADE 8 • COARSE THREAD • YELLOW ZINC PLATED • MADE IN USA OR CANADA

Part #	Size	Farm Pack Quantity	Shop Pack Quantity	Bulk Quantity
FH81688	1-8 X 11	-	1	15
FH81696	1-8 X 12	-	1	13
FH816112	1-8 X 14	-	1	12
FH81816	1 1/8-7 X 2	-	1	40
FH81828	1 1/8-7 X 3 1/2	-	1	30
FH81832	1 1/8-7 X 4	-	1	25
FH81840	1 1/8-7 X 5	-	1	20
FH81848	1 1/8-7 X 6	-	1	15
FH81856	1 1/8-7 X 7	-	1	15
FH81864	1 1/8-7 X 8	-	1	15
FH81872	1 1/8-7 X 9	-	1	13
FH81880	1 1/8-7 X 10	-	1	12
FH81896	1 1/8-7 X 12	-	1	10
FH82024	1 1/4-7 X 3	-	1	25
FH82028	1 1/4-7 X 3 1/2	-	1	20
FH82032	1 1/4-7 X 4	-	1	20
FH82036	1 1/4-7 X 4 1/2	-	1	15

Part #	Size	Farm Pack Quantity	Shop Pack Quantity	Bulk Quantity
FH82040	1 1/4-7 X 5	-	1	15
FH82048	1 1/4-7 X 6	-	1	15
FH82056	1 1/4-7 X 7	-	1	12
FH82064	1 1/4-7 X 8	-	1	10
FH82072	1 1/4-7 X 9	-	1	10
FH82080	1 1/4-7 X 10	-	1	10
FH82088	1 1/4-7 X 11	-	1	9
FH82096	1 1/4-7 X 12	-	1	8
FH82432	1 1/2-6 X 4	-	1	12
FH82436	1 1/2-6 X 4 1/2	-	1	12
FH82440	1 1/2-6 X 5	-	1	11
FH82448	1 1/2-6 X 6	-	1	10
FH82456	1 1/2-6 X 7	-	1	9
FH82464	1 1/2-6 X 8	-	1	8
FH82472	1 1/2-6 X 9	-	1	7
FH828112	1 3/4-5 X 14	-	1	15
FH83240	2-4 1/2 X 5	-	1	10

GRADE 8 • FINE THREAD • YELLOW ZINC PLATED • MADE IN USA OR CANADA

Part #	Size	Farm Pack Quantity	Shop Pack Quantity	Bulk Quantity
FH8F0404	1/4-28 X 1/2	25	100	3300
FH8F0406	1/4-28 X 3/4	25	100	2700
FH8F0408	1/4-28 X 1	25	100	2200
FH8F0410	1/4-28 X 1 1/4	25	100	1900
FH8F0412	1/4-28 X 1 1/2	25	100	1600
FH8F0414	1/4-28 X 1 3/4	25	100	1400
FH8F0416	1/4-28 X 2	25	100	1200
FH8F0420	1/4-28 X 2 1/2	25	100	900
FH8F0424	1/4-28 X 3	25	100	750
FH8F0428	1/4-28 X 3 1/2	25	100	550
FH8F0432	1/4-28 X 4	25	100	450
FH8F0436	1/4-28 X 4 1/2	15	50	450
FH8F0440	1/4-28 X 5	15	50	400
FH8F0448	1/4-28 X 6	15	50	350
FH8F0504	5/16-24 X 1/2	25	100	1950
FH8F0506	5/16-24 X 3/4	25	100	1650
FH8F0508	5/16-24 X 1	25	100	1400
FH8F0510	5/16-24 X 1 1/4	25	100	1100
FH8F0512	5/16-24 X 1 1/2	25	100	1000
FH8F0514	5/16-24 X 1 3/4	25	100	850
FH8F0516	5/16-24 X 2	25	100	800
FH8F0518	5/16-24 X 2 1/4	25	100	700

Part #	Size	Farm Pack Quantity	Shop Pack Quantity	Bulk Quantity
FH8F0520	5/16-24 X 2 1/2	25	100	600
FH8F0522	5/16-24 X 2 3/4	25	100	550
FH8F0524	5/16-24 X 3	25	100	500
FH8F0528	5/16-24 X 3 1/2	15	50	450
FH8F0532	5/16-24 X 4	15	50	400
FH8F0536	5/16-24 X 4 1/2	15	50	300
FH8F0540	5/16-24 X 5	15	50	250
FH8F0548	5/16-24 X 6	15	50	250
FH8F0604	3/8-24 X 1/2	25	100	1300
FH8F0606	3/8-24 X 3/4	25	100	1100
FH8F0608	3/8-24 X 1	25	100	900
FH8F0610	3/8-24 X 1 1/4	25	100	800
FH8F0612	3/8-24 X 1 1/2	25	100	675
FH8F0614	3/8-24 X 1 3/4	25	100	600
FH8F0616	3/8-24 X 2	25	100	550
FH8F0618	3/8-24 X 2 1/4	15	50	450
FH8F0620	3/8-24 X 2 1/2	15	50	400
FH8F0622	3/8-24 X 2 3/4	15	50	400
FH8F0624	3/8-24 X 3	15	50	325
FH8F0626	3/8-24 X 3 1/4	15	50	325
FH8F0628	3/8-24 X 3 1/2	15	50	300
FH8F0630	3/8-24 X 3 3/4	15	50	250

HEX CAP SCREWS

GRADE 8 • FINE THREAD • YELLOW ZINC PLATED • MADE IN USA OR CANADA

Part #	Size	Farm Pack Quantity	Shop Pack Quantity	Bulk Quantity
FH8F0632	3/8-24 X 4	15	50	250
FH8F0636	3/8-24 X 4 1/2	15	50	225
FH8F0640	3/8-24 X 5	15	50	225
FH8F0644	3/8-24 X 5 1/2	15	50	175
FH8F0648	3/8-24 X 6	15	50	175
FH8F0652	3/8-24 X 6 1/2	-	1	175
FH8F0656	3/8-24 X 7	-	1	150
FH8F0664	3/8-24 X 8	-	1	150
FH8F0680	3/8-24 X 10	-	1	120
FH8F0706	7/16-20 X 3/4	15	50	750
FH8F0708	7/16-20 X 1	15	50	650
FH8F0710	7/16-20 X 1 1/4	15	50	550
FH8F0712	7/16-20 X 1 1/2	15	50	500
FH8F0714	7/16-20 X 1 3/4	15	50	450
FH8F0716	7/16-20 X 2	15	50	400
FH8F0718	7/16-20 X 2 1/4	15	50	350
FH8F0720	7/16-20 X 2 1/2	15	50	300
FH8F0724	7/16-20 X 3	15	50	275
FH8F0728	7/16-20 X 3 1/2	10	25	225
FH8F0732	7/16-20 X 4	10	25	200
FH8F0736	7/16-20 X 4 1/2	10	25	175
FH8F0740	7/16-20 X 5	10	25	150
FH8F0744	7/16-20 X 5 1/2	10	25	150
FH8F0748	7/16-20 X 6	10	25	125
FH8F0806	1/2-20 X 3/4	15	50	475
FH8F0808	1/2-20 X 1	15	50	400
FH8F0810	1/2-20 X 1 1/4	15	50	375
FH8F0812	1/2-20 X 1 1/2	15	50	300
FH8F0814	1/2-20 X 1 3/4	15	50	275
FH8F0816	1/2-20 X 2	15	50	250
FH8F0818	1/2-20 X 2 1/4	15	50	225
FH8F0820	1/2-20 X 2 1/2	15	50	225
FH8F0822	1/2-20 X 2 3/4	15	50	200
FH8F0824	1/2-20 X 3	15	50	200
FH8F0826	1/2-20 X 3 1/4	10	25	175
FH8F0828	1/2-20 X 3 1/2	10	25	150
FH8F0832	1/2-20 X 4	10	25	150
FH8F0836	1/2-20 X 4 1/2	10	25	125
FH8F0840	1/2-20 X 5	10	25	125
FH8F0844	1/2-20 X 5 1/2	10	25	100
FH8F0848	1/2-20 X 6	10	25	100
FH8F0852	1/2-20 X 6 1/2	-	1	100
FH8F0856	1/2-20 X 7	-	1	90

Part #	Size	Farm Pack Quantity	Shop Pack Quantity	Bulk Quantity
FH8F0864	1/2-20 X 8	-	1	80
FH8F0880	1/2-20 X 10	-	1	65
FH8F0908	9/16-18 X 1	10	25	350
FH8F0910	9/16-18 X 1 1/4	10	25	300
FH8F0912	9/16-18 X 1 1/2	10	25	275
FH8F0914	9/16-18 X 1 3/4	10	25	250
FH8F0916	9/16-18 X 2	10	25	225
FH8F0920	9/16-18 X 2 1/2	10	25	175
FH8F0924	9/16-18 X 3	10	25	150
FH8F0928	9/16-18 X 3 1/2	10	25	125
FH8F0932	9/16-18 X 4	10	25	100
FH8F0936	9/16-18 X 4 1/2	10	25	100
FH8F0940	9/16-18 X 5	10	25	100
FH8F0948	9/16-18 X 6	10	25	75
FH8F1008	5/8-18 X 1	10	25	250
FH8F1010	5/8-18 X 1 1/4	10	25	225
FH8F1012	5/8-18 X 1 1/2	10	25	200
FH8F1014	5/8-18 X 1 3/4	10	25	175
FH8F1016	5/8-18 X 2	10	25	175
FH8F1018	5/8-18 X 2 1/4	10	25	150
FH8F1020	5/8-18 X 2 1/2	10	25	125
FH8F1024	5/8-18 X 3	10	25	100
FH8F1028	5/8-18 X 3 1/2	10	25	100
FH8F1032	5/8-18 X 4	10	25	90
FH8F1036	5/8-18 X 4 1/2	10	25	80
FH8F1040	5/8-18 X 5	10	25	75
FH8F1044	5/8-18 X 5 1/2	10	25	70
FH8F1048	5/8-18 X 6	5	20	65
FH8F1056	5/8-18 X 7	-	1	55
FH8F1064	5/8-18 X 8	-	1	50
FH8F1072	5/8-18 X 9	-	1	45
FH8F1208	3/4-16 X 1	5	20	150
FH8F1212	3/4-16 X 1 1/2	5	20	125
FH8F1216	3/4-16 X 2	5	20	100
FH8F1220	3/4-16 X 2 1/2	5	20	90
FH8F1222	3/4-16 X 2 3/4	5	20	85
FH8F1224	3/4-16 X 3	5	20	80
FH8F1228	3/4-16 X 3 1/2	5	20	70
FH8F1232	3/4-16 X 4	5	20	60
FH8F1236	3/4-16 X 4 1/2	5	20	55
FH8F1240	3/4-16 X 5	5	15	45
FH8F1244	3/4-16 X 5 1/2	5	15	45
FH8F1248	3/4-16 X 6	-	1	40

HEX CAP SCREWS

GRADE 8 • FINE THREAD • YELLOW ZINC PLATED • MADE IN USA OR CANADA

Part #	Size	Farm Pack Quantity	Shop Pack Quantity	Bulk Quantity
FH8F1256	3/4-16 X 7	-	1	35
FH8F1264	3/4-16 X 8	-	1	35
FH8F1416	7/8-14 X 2	5	15	75
FH8F1420	7/8-14 X 2 1/2	5	15	65
FH8F1424	7/8-14 X 3	5	15	55
FH8F1428	7/8-14 X 3 1/2	-	1	50
FH8F1432	7/8-14 X 4	-	1	45
FH8F1436	7/8-14 X 4 1/2	-	1	40
FH8F1440	7/8-14 X 5	-	1	35
FH8F1444	7/8-14 X 5 1/2	-	1	35
FH8F1448	7/8-14 X 6	-	1	30
FH8F1452	7/8-14 X 6 1/2	-	1	30
FH8F1460	7/8-14 X 7 1/2	-	1	25
FH8F1464	7/8-14 X 8	-	1	25
FH8F1472	7/8-14 X 9	-	1	23
FH8F1616	1-14 X 2	3	10	50
FH8F1620	1-14 X 2 1/2	3	10	45

Part #	Size	Farm Pack Quantity	Shop Pack Quantity	Bulk Quantity
FH8F1624	1-14 X 3	3	10	40
FH8F1628	1-14 X 3 1/2	-	1	35
FH8F1632	1-14 X 4	-	1	35
FH8F1636	1-14 X 4 1/2	-	1	30
FH8F1640	1-14 X 5	-	1	25
FH8F1648	1-14 X 6	-	1	25
FH8F1656	1-14 X 7	-	1	20
FH8F1664	1-14 X 8	-	1	18
FH8F1672	1-14 X 9	-	1	15
FH8F1680	1-14 X 10	-	1	15
FH8F1820	1 1/8-12 X 2 1/2	-	1	35
FH8F1840	1 1/8-12 X 5	-	1	20
FH8F1872	1 1/8-12 X 9	-	1	13
FH8F2072	1 1/4-12 X 9	-	1	10
FH8F2424	1 1/2-12 X 3	-	1	15
FH8F2440	1 1/2-12 X 5	-	1	11

GRADE 9 • COARSE THREAD • YELLOW ZINC PLATED • MADE IN USA



Hex Cap Screws Grade 9 are made with a high head and have a minimum tensile strength of 180,000 psi.

Part #	Size	Farm Pack Quantity	Shop Pack Quantity	Bulk Quantity
FH90812	1/2-13 X 1 1/2	15	50	600
FH90814	1/2-13 X 1 3/4	15	50	500
FH90816	1/2-13 X 2	15	50	450
FH90818	1/2-13 X 2 1/4	15	50	400
FH90820	1/2-13 X 2 1/2	15	50	325
FH90824	1/2-13 X 3	15	50	300
FH90828	1/2-13 X 3 1/2	10	25	250
FH90832	1/2-13 X 4	10	25	200
FH90848	1/2-13 X 6	10	25	150
FH91012	5/8-11 X 1 1/2	10	25	300
FH91016	5/8-11 X 2	10	25	250
FH91020	5/8-11 X 2 1/2	10	25	200
FH91024	5/8-11 X 3	10	25	175
FH91028	5/8-11 X 3 1/2	10	25	150
FH91032	5/8-11 X 4	10	25	125

Part #	Size	Farm Pack Quantity	Shop Pack Quantity	Bulk Quantity
FH91036	5/8-11 X 4 1/2	10	25	100
FH91040	5/8-11 X 5	10	25	90
FH91044	5/8-11 X 5 1/2	10	25	75
FH91048	5/8-11 X 6	5	20	75
FH91216	3/4-10 X 2	5	20	180
FH91220	3/4-10 X 2 1/2	5	20	140
FH91224	3/4-10 X 3	5	20	120
FH91228	3/4-10 X 3 1/2	5	20	100
FH91232	3/4-10 X 4	5	20	85
FH91236	3/4-10 X 4 1/2	5	20	80
FH91264	3/4-10 X 8	-	1	60
FH91272	3/4-10 X 9	-	1	50
FH91436	7/8-9 X 4 1/2	-	1	60
FH91448	7/8-9 X 6	-	1	45

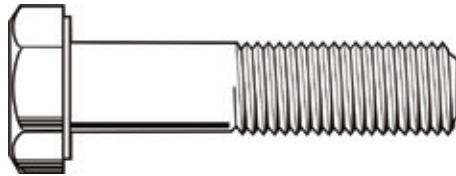
HEX CAP SCREWS

GRADE 9 • FINE THREAD • YELLOW ZINC PLATED • MADE IN USA

Part #	Size	Farm Pack Quantity	Shop Pack Quantity	Bulk Quantity
FH9F1032	5/8-18 X 4	10	25	125
FH9F1448	7/8-14 X 6	-	1	60

Don't see the size you're looking for? Call us for availability!

18/8 STAINLESS STEEL • COARSE THREAD • IMPORTED



18-8 Stainless Steel Hex Cap Screws have a tensile strength of 100,000-125,000 psi and a minimum Rockwell hardness of B100.

Part #	Size	Farm Pack Quantity	Shop Pack Quantity	Bulk Quantity
FSSH0403	1/4-20 X 3/8	25	100	3300
FSSH0404	1/4-20 X 1/2	25	100	3300
FSSH0405	1/4-20 X 5/8	25	100	3000
FSSH0406	1/4-20 X 3/4	25	100	2700
FSSH0408	1/4-20 X 1	25	100	2200
FSSH0410	1/4-20 X 1 1/4	25	100	1900
FSSH0412	1/4-20 X 1 1/2	25	100	1600
FSSH0414	1/4-20 X 1 3/4	25	100	1400
FSSH0416	1/4-20 X 2	25	100	1200
FSSH0418	1/4-20 X 2 1/4	25	100	1000
FSSH0420	1/4-20 X 2 1/2	25	100	900
FSSH0422	1/4-20 X 2 3/4	25	100	750
FSSH0424	1/4-20 X 3	25	100	750
FSSH0428	1/4-20 X 3 1/2	25	100	550
FSSH0436	1/4-20 X 4 1/2	15	50	450
FSSH0504	5/16-18 X 1/2	25	100	1950
FSSH0505	5/16-18 X 5/8	25	100	1800
FSSH0506	5/16-18 X 3/4	25	100	1650
FSSH0507	5/16-18 X 7/8	25	100	1500
FSSH0508	5/16-18 X 1	25	100	1400
FSSH0510	5/16-18 X 1 1/4	25	100	1100
FSSH0512	5/16-18 X 1 1/2	25	100	1000
FSSH0514	5/16-18 X 1 3/4	25	100	850
FSSH0516	5/16-18 X 2	25	100	800
FSSH0518	5/16-18 X 2 1/4	25	100	700
FSSH0520	5/16-18 X 2 1/2	25	100	600
FSSH0522	5/16-18 X 2 3/4	25	100	550
FSSH0524	5/16-18 X 3	25	100	500
FSSH0528	5/16-18 X 3 1/2	15	50	450
FSSH0532	5/16-18 X 4	15	50	400

Part #	Size	Farm Pack Quantity	Shop Pack Quantity	Bulk Quantity
FSSH0536	5/16-18 X 4 1/2	15	50	300
FSSH0540	5/16-18 X 5	15	50	250
FSSH0544	5/16-18 X 5 1/2	15	50	250
FSSH0548	5/16-18 X 6	15	50	250
FSSH0560	5/16-18 X 7 1/2	-	1	225
FSSH0580	5/16-18 X 10	-	1	100
FSSH0605	3/8-16 X 5/8	25	100	1200
FSSH0606	3/8-16 X 3/4	25	100	1100
FSSH0608	3/8-16 X 1	25	100	900
FSSH0610	3/8-16 X 1 1/4	25	100	800
FSSH0612	3/8-16 X 1 1/2	25	100	675
FSSH0614	3/8-16 X 1 3/4	25	100	600
FSSH0616	3/8-16 X 2	25	100	550
FSSH0618	3/8-16 X 2 1/4	15	50	450
FSSH0620	3/8-16 X 2 1/2	15	50	400
FSSH0622	3/8-16 X 2 3/4	15	50	400
FSSH0624	3/8-16 X 3	15	50	325
FSSH0626	3/8-16 X 3 1/4	15	50	325
FSSH0628	3/8-16 X 3 1/2	15	50	300
FSSH0630	3/8-16 X 3 3/4	15	50	250
FSSH0632	3/8-16 X 4	15	50	250
FSSH0636	3/8-16 X 4 1/2	15	50	225
FSSH0640	3/8-16 X 5	15	50	225
FSSH0644	3/8-16 X 5 1/2	15	50	175
FSSH0648	3/8-16 X 6	15	50	175
FSSH0652	3/8-16 X 6 1/2	-	1	175
FSSH0656	3/8-16 X 7	-	1	150
FSSH0664	3/8-16 X 8	-	1	150
FSSH0706	7/16-14 X 3/4	10	25	750
FSSH0708	7/16-14 X 1	10	25	650

HEX CAP SCREWS

18/8 STAINLESS STEEL • COARSE THREAD • IMPORTED

Part #	Size	Farm Pack Quantity	Shop Pack Quantity	Bulk Quantity
FSSH0712	7/16-14 X 1 1/2	10	25	500
FSSH0714	7/16-14 X 1 3/4	10	25	450
FSSH0716	7/16-14 X 2	10	25	400
FSSH0718	7/16-14 X 2 1/4	10	25	350
FSSH0720	7/16-14 X 2 1/2	10	25	300
FSSH0724	7/16-14 X 3	10	25	275
FSSH0728	7/16-14 X 3 1/2	10	25	225
FSSH0732	7/16-14 X 4	10	25	200
FSSH0808	1/2-13 X 1	15	50	400
FSSH0810	1/2-13 X 1 1/4	15	50	375
FSSH0812	1/2-13 X 1 1/2	15	50	300
FSSH0814	1/2-13 X 1 3/4	15	50	275
FSSH0816	1/2-13 X 2	15	50	250
FSSH0820	1/2-13 X 2 1/2	15	50	225
FSSH0822	1/2-13 X 2 3/4	15	50	200
FSSH0824	1/2-13 X 3	15	50	200
FSSH0828	1/2-13 X 3 1/2	10	25	150
FSSH0832	1/2-13 X 4	10	25	150
FSSH0834	1/2-13 X 4 1/4	10	25	125
FSSH0836	1/2-13 X 4 1/2	10	25	125
FSSH0840	1/2-13 X 5	10	25	125
FSSH0844	1/2-13 X 5 1/2	10	25	100
FSSH0848	1/2-13 X 6	10	25	100
FSSH0856	1/2-13 X 7	-	1	90
FSSH0860	1/2-13 X 7 1/2	-	1	80
FSSH0864	1/2-13 X 8	-	1	80
FSSH0872	1/2-13 X 9	-	1	75
FSSH0880	1/2-13 X 10	-	1	65
FSSH1008	5/8-11 X 1	10	25	250

Part #	Size	Farm Pack Quantity	Shop Pack Quantity	Bulk Quantity
FSSH1010	5/8-11 X 1 1/4	10	25	225
FSSH1012	5/8-11 X 1 1/2	10	25	200
FSSH1014	5/8-11 X 1 3/4	10	25	175
FSSH1016	5/8-11 X 2	10	25	175
FSSH1018	5/8-11 X 2 1/4	10	25	150
FSSH1020	5/8-11 X 2 1/2	10	25	125
FSSH1022	5/8-11 X 2 3/4	10	25	125
FSSH1024	5/8-11 X 3	10	25	100
FSSH1028	5/8-11 X 3 1/2	10	25	100
FSSH1032	5/8-11 X 4	10	25	90
FSSH1036	5/8-11 X 4 1/2	10	25	80
FSSH1040	5/8-11 X 5	10	25	75
FSSH1044	5/8-11 X 5 1/2	10	25	70
FSSH1048	5/8-11 X 6	5	20	65
FSSH1056	5/8-11 X 7	-	1	55
FSSH1064	5/8-11 X 8	-	1	50
FSSH1212	3/4-10 X 1 1/2	5	20	125
FSSH1216	3/4-10 X 2	5	20	100
FSSH1220	3/4-10 X 2 1/2	5	20	90
FSSH1224	3/4-10 X 3	5	20	80
FSSH1228	3/4-10 X 3 1/2	5	20	70
FSSH1232	3/4-10 X 4	5	20	60
FSSH1236	3/4-10 X 4 1/2	5	20	55
FSSH1240	3/4-10 X 5	5	15	45
FSSH1244	3/4-10 X 5 1/2	5	15	45
FSSH1256	3/4-10 X 7	-	1	35
FSSH1432	7/8-9 X 4	-	1	45
FSSH1632	1-8 X 4	-	1	35

ALUMINUM • COARSE THREAD • IMPORTED

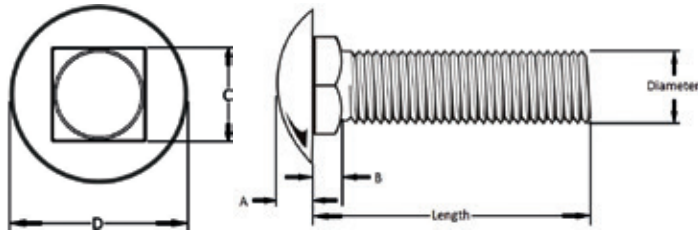
Part #	Size	Package Quantity
FAH0610	3/8-16 X 1 1/4	100

CARRIAGE BOLTS

TECHNICAL INFORMATION

Rockwell Hardness

Grade	Core Hardness Rockwell
A307	B69-B100
5	C25-C34
8	C33- C39



Tensile Strengths

Diameter	Grade A307	Grade 5	Grade 8
1/4-20	1900	3800	4750
5/16-18	3100	6300	7850
3/8-16	4650	9300	11600
7/16-14	6350	12800	15900
1/2-13	8500	17000	21300
9/16-12	11000	21800	27300
5/8-11	13550	27100	33900
3/4-10	20050	40100	50100
7/8-9	27700	55400	69300
1-8	36350	72700	90900

Endurance limits vary widely. Endurance limits of 10-20% of the tensile strength have been reported.

Dimensions

Diameter	A		B		C		D	
	Max	Min	Max	Min	Max	Min	Max	Min
10-24	0.114	0.094	0.125	0.094	0.199	0.185	0.469	0.436
1/4-20	0.145	0.125	0.156	0.125	0.260	0.245	0.594	0.563
5/16-18	0.178	0.156	0.187	0.156	0.324	0.307	0.719	0.688
3/8-16	0.208	0.188	0.219	0.188	0.388	0.368	0.844	0.782
7/16-14	0.23	0.219	0.250	0.219	0.452	0.431	0.969	0.907
1/2-13	0.270	0.250	0.281	0.250	0.515	0.492	1.094	1.032
5/8-11	0.344	0.313	0.344	0.313	0.642	0.616	1.344	1.219
3/4-10	0.406	0.375	0.406	0.375	0.768	0.741	1.594	1.469

GRADE 307A • COARSE THREAD • ZINC PLATED • IMPORTED



Carriage Bolts Grade A307 are manufactured to ASTM A307 Grade A specs. They have a minimum tensile strength of 60,000 psi.

Part #	Size	Farm Pack Quantity	Shop Pack Quantity	Bulk Quantity
FC201004	10-24 X 1/2	25	100	6250
FC201005	10-24 X 5/8	25	100	5500
FC201006	10-24 X 3/4	25	100	5000
FC201008	10-24 X 1	25	100	3500
FC201010	10-24 X 1 1/4	25	100	2750
FC201012	10-24 X 1 1/2	25	100	2250
FC201014	10-24 X 1 3/4	25	100	2000
FC201016	10-24 X 2	25	100	1750
FC20404	1/4-20 X 1/2	25	100	3750

Part #	Size	Farm Pack Quantity	Shop Pack Quantity	Bulk Quantity
FC20406	1/4-20 X 3/4	25	100	3250
FC20408	1/4-20 X 1	25	100	2875
FC20410	1/4-20 X 1 1/4	25	100	2500
FC20412	1/4-20 X 1 1/2	25	100	2125
FC20414	1/4-20 X 1 3/4	25	100	1500
FC20416	1/4-20 X 2	25	100	1375
FC20418	1/4-20 X 2 1/4	25	100	1200
FC20420	1/4-20 X 2 1/2	25	100	1000
FC20422	1/4-20 X 2 3/4	25	100	875

CARRIAGE BOLTS

GRADE 307A • COARSE THREAD • ZINC PLATED • IMPORTED

Part #	Size	Farm Pack Quantity	Shop Pack Quantity	Bulk Quantity
FC20424	1/4-20 X 3	25	100	750
FC20426	1/4-20 X 3 1/4	25	100	550
FC20428	1/4-20 X 3 1/2	25	100	625
FC20430	1/4-20 X 3 3/4	25	100	575
FC20432	1/4-20 X 4	25	100	525
FC20436	1/4-20 X 4 1/2	25	100	500
FC20440	1/4-20 X 5	25	100	500
FC20444	1/4-20 X 5 1/2	25	100	450
FC20448	1/4-20 X 6	25	100	450
FC20452	1/4-20 X 6 1/2	-	1	425
FC20456	1/4-20 X 7	-	1	375
FC20464	1/4-20 X 8	-	1	250
FC20480	1/4-20 X 10	-	1	300
FC20506	5/16-18 X 3/4	25	100	2000
FC20508	5/16-18 X 1	25	100	1625
FC20510	5/16-18 X 1 1/4	25	100	1375
FC20512	5/16-18 X 1 1/2	25	100	1250
FC20514	5/16-18 X 1 3/4	25	100	1125
FC20516	5/16-18 X 2	25	100	1000
FC20518	5/16-18 X 2 1/4	25	100	875
FC20520	5/16-18 X 2 1/2	25	100	800
FC20522	5/16-18 X 2 3/4	25	100	750
FC20524	5/16-18 X 3	25	100	625
FC20526	5/16-18 X 3 1/4	10	50	450
FC20528	5/16-18 X 3 1/2	10	50	500
FC20530	5/16-18 X 3 3/4	10	50	350
FC20532	5/16-18 X 4	10	50	375
FC20536	5/16-18 X 4 1/2	10	50	325
FC20540	5/16-18 X 5	10	50	300
FC20544	5/16-18 X 5 1/2	10	50	250
FC20548	5/16-18 X 6	10	50	225
FC20552	5/16-18 X 6 1/2	-	1	200
FC20556	5/16-18 X 7	-	1	200
FC20564	5/16-18 X 8	-	1	175
FC20572	5/16-18 X 9	-	1	300
FC20606	3/8-16 X 3/4	25	100	1250
FC20608	3/8-16 X 1	25	100	1000
FC20610	3/8-16 X 1 1/4	25	100	875
FC20612	3/8-16 X 1 1/2	25	100	825
FC20614	3/8-16 X 1 3/4	25	100	750
FC20616	3/8-16 X 2	25	100	550
FC20618	3/8-16 X 2 1/4	10	50	625
FC20620	3/8-16 X 2 1/2	10	50	450

Part #	Size	Farm Pack Quantity	Shop Pack Quantity	Bulk Quantity
FC20622	3/8-16 X 2 3/4	10	50	500
FC20624	3/8-16 X 3	10	50	450
FC20626	3/8-16 X 3 1/4	10	50	400
FC20628	3/8-16 X 3 1/2	10	50	350
FC20632	3/8-16 X 4	10	50	300
FC20636	3/8-16 X 4 1/2	10	50	350
FC20640	3/8-16 X 5	10	50	225
FC20644	3/8-16 X 5 1/2	10	50	200
FC20648	3/8-16 X 6	10	50	175
FC20652	3/8-16 X 6 1/2	-	1	175
FC20656	3/8-16 X 7	-	1	175
FC20660	3/8-16 X 7 1/2	-	1	150
FC20664	3/8-16 X 8	-	1	125
FC20672	3/8-16 X 9	-	1	100
FC20676	3/8-16 X 9 1/2	-	1	100
FC20680	3/8-16 X 10	-	1	100
FC20688	3/8-16 X 11	-	1	80
FC20696	3/8-16 X 12	-	1	80
FC20708	7/16-14 X 1	10	50	675
FC20710	7/16-14 X 1 1/4	10	50	600
FC20712	7/16-14 X 1 1/2	10	50	550
FC20714	7/16-14 X 1 3/4	10	50	500
FC20716	7/16-14 X 2	10	50	450
FC20720	7/16-14 X 2 1/2	10	50	375
FC20724	7/16-14 X 3	10	50	325
FC20728	7/16-14 X 3 1/2	10	25	300
FC20732	7/16-14 X 4	10	25	250
FC20736	7/16-14 X 4 1/2	10	25	225
FC20740	7/16-14 X 5	10	25	175
FC20744	7/16-14 X 5 1/2	10	25	150
FC20748	7/16-14 X 6	10	25	175
FC20756	7/16-14 X 7	-	1	150
FC20764	7/16-14 X 8	-	1	150
FC20808	1/2-13 X 1	10	50	500
FC20810	1/2-13 X 1 1/4	10	50	450
FC20812	1/2-13 X 1 1/2	10	50	400
FC20816	1/2-13 X 2	10	50	350
FC20818	1/2-13 X 2 1/4	10	50	325
FC20820	1/2-13 X 2 1/2	10	50	300
FC20824	1/2-13 X 3	10	50	250
FC20828	1/2-13 X 3 1/2	10	25	200
FC20832	1/2-13 X 4	10	25	175
FC20836	1/2-13 X 4 1/2	10	25	130

CARRIAGE BOLTS

GRADE 307A • COARSE THREAD • ZINC PLATED • IMPORTED

Part #	Size	Farm Pack Quantity	Shop Pack Quantity	Bulk Quantity
FC20840	1/2-13 X 5	10	25	150
FC20844	1/2-13 X 5 1/2	10	25	110
FC20848	1/2-13 X 6	10	25	125
FC20852	1/2-13 X 6 1/2	-	1	100
FC20856	1/2-13 X 7	-	1	70
FC20864	1/2-13 X 8	-	1	75
FC20872	1/2-13 X 9	-	1	50
FC20880	1/2-13 X 10	-	1	50
FC20896	1/2-13 X 12	-	1	50
FC208112	1/2-13 X 14	-	1	50
FC208144	1/2-13 X 18	-	1	50
FC21012	5/8-11 X 1 1/2	5	25	200
FC21016	5/8-11 X 2	5	25	130
FC21020	5/8-11 X 2 1/2	5	25	150
FC21024	5/8-11 X 3	5	25	125

Part #	Size	Farm Pack Quantity	Shop Pack Quantity	Bulk Quantity
FC21028	5/8-11 X 3 1/2	5	25	100
FC21032	5/8-11 X 4	5	25	100
FC21036	5/8-11 X 4 1/2	5	25	70
FC21040	5/8-11 X 5	5	25	75
FC21044	5/8-11 X 5 1/2	5	25	55
FC21048	5/8-11 X 6	5	20	50
FC21052	5/8-11 X 6 1/2	-	1	75
FC21056	5/8-11 X 7	-	1	75
FC21060	5/8-11 X 7 1/2	-	1	70
FC21064	5/8-11 X 8	-	1	50
FC21076	5/8-11 X 9 1/2	-	1	75
FC21096	5/8-11 X 12	-	1	25
FC21244	3/4-10 X 5 1/2	-	1	60
FC21256	3/4-10 X 7	-	1	50

GRADE 307A • COARSE THREAD • HOT DIP GALVANIZED • IMPORTED

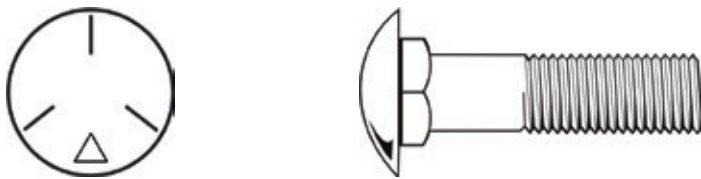
Part #	Size	Farm Pack Quantity	Shop Pack Quantity	Bulk Quantity
FC2G0520	5/16-18 X 2 1/2	25	100	800
FC2G0532	5/16-18 X 4	10	50	375
FC2G0620	3/8-16 X 2 1/2	10	50	450
FC2G0632	3/8-16 X 4	10	50	300
FC2G08104	1/2-13 X 13	-	1	50

Part #	Size	Farm Pack Quantity	Shop Pack Quantity	Bulk Quantity
FC2G1048	5/8-11 X 6	5	20	50
FC2G1064	5/8-11 X 8	-	1	50
FC2G1080	5/8-11 X 10	-	1	25
FC2G10144	5/8-11 X 18	-	1	25

Don't see the size you're looking for? Call us for availability!

Plain finish carriage bolts are available on request. Lead time is 6 business days or less.

GRADE 5 • COARSE THREAD • ZINC PLATED • MADE IN CANADA OR IMPORTED



Carriage Bolts Grade 5 are manufactured to SAE J429 Grade 5 specs. They have a minimum tensile strength of 120,000 psi.

Part #	Size	Farm Pack Quantity	Shop Pack Quantity	Bulk Quantity
FC50406	1/4-20 X 3/4	25	100	3750
FC50408	1/4-20 X 1	25	100	3250
FC50410	1/4-20 X 1 1/4	25	100	2875
FC50412	1/4-20 X 1 1/2	25	100	2125
FC50414	1/4-20 X 1 3/4	25	100	1500
FC50416	1/4-20 X 2	25	100	1375
FC50418	1/4-20 X 2 1/4	25	100	1200

Part #	Size	Farm Pack Quantity	Shop Pack Quantity	Bulk Quantity
FC50420	1/4-20 X 2 1/2	25	100	1000
FC50424	1/4-20 X 3	25	100	750
FC50426	1/4-20 X 3 1/4	25	100	1000
FC50428	1/4-20 X 3 1/2	25	100	625
FC50504	5/16-18 X 1/2	25	100	-
FC50506	5/16-18 X 3/4	25	100	1400
FC50508	5/16-18 X 1	25	100	1100

CARRIAGE BOLTS

GRADE 5 • COARSE THREAD • ZINC PLATED • MADE IN CANADA OR IMPORTED

Part #	Size	Farm Pack Quantity	Shop Pack Quantity	Bulk Quantity
FC50510	5/16-18 X 1 1/4	25	100	950
FC50512	5/16-18 X 1 1/2	25	100	800
FC50514	5/16-18 X 1 3/4	25	100	700
FC50516	5/16-18 X 2	25	100	700
FC50518	5/16-18 X 2 1/4	25	100	550
FC50520	5/16-18 X 2 1/2	25	100	450
FC50522	5/16-18 X 2 3/4	25	100	400
FC50524	5/16-18 X 3	25	100	400
FC50526	5/16-18 X 3 1/4	15	50	600
FC50528	5/16-18 X 3 1/2	15	50	500
FC50532	5/16-18 X 4	15	50	375
FC50536	5/16-18 X 4 1/2	15	50	325
FC50606	3/8-16 X 3/4	25	100	900
FC50608	3/8-16 X 1	25	100	750
FC50610	3/8-16 X 1 1/4	25	100	600
FC50612	3/8-16 X 1 1/2	25	100	550
FC50614	3/8-16 X 1 3/4	25	100	500
FC50616	3/8-16 X 2	25	100	450
FC50620	3/8-16 X 2 1/2	15	50	350
FC50624	3/8-16 X 3	15	50	300
FC50626	3/8-16 X 3 1/4	15	50	275
FC50628	3/8-16 X 3 1/2	15	50	250
FC50632	3/8-16 X 4	15	50	225
FC50640	3/8-16 X 5	15	50	225
FC50648	3/8-16 X 6	15	50	175
FC50708	7/16-14 X 1	15	50	550
FC50710	7/16-14 X 1 1/4	15	50	450
FC50712	7/16-14 X 1 1/2	15	50	400
FC50714	7/16-14 X 1 3/4	15	50	350
FC50716	7/16-14 X 2	15	50	325
FC50718	7/16-14 X 2 1/4	15	50	325
FC50720	7/16-14 X 2 1/2	15	50	275
FC50724	7/16-14 X 3	15	50	225
FC50728	7/16-14 X 3 1/2	10	25	200
FC50732	7/16-14 X 4	10	25	175

Part #	Size	Farm Pack Quantity	Shop Pack Quantity	Bulk Quantity
FC50808	1/2-13 X 1	15	50	375
FC50810	1/2-13 X 1 1/4	15	50	375
FC50812	1/2-13 X 1 1/2	15	50	325
FC50814	1/2-13 X 1 3/4	15	50	300
FC50816	1/2-13 X 2	15	50	250
FC50818	1/2-13 X 2 1/4	15	50	225
FC50820	1/2-13 X 2 1/2	15	50	200
FC50824	1/2-13 X 3	15	50	150
FC50828	1/2-13 X 3 1/2	10	25	125
FC50832	1/2-13 X 4	10	25	125
FC50836	1/2-13 X 4 1/2	10	25	110
FC50840	1/2-13 X 5	10	25	100
FC50848	1/2-13 X 6	10	25	125
FC50856	1/2-13 X 7	-	1	120
FC51012	5/8-11 X 1 1/2	10	25	200
FC51014	5/8-11 X 1 3/4	10	25	130
FC51016	5/8-11 X 2	10	25	130
FC51020	5/8-11 X 2 1/2	10	25	150
FC51022	5/8-11 X 2 3/4	10	25	150
FC51024	5/8-11 X 3	10	25	125
FC51028	5/8-11 X 3 1/2	10	25	100
FC51032	5/8-11 X 4	10	25	100
FC51036	5/8-11 X 4 1/2	10	25	70
FC51040	5/8-11 X 5	10	25	75
FC51048	5/8-11 X 6	5	20	50
FC51216	3/4-10 X 2	5	20	90
FC51220	3/4-10 X 2 1/2	5	20	100
FC51224	3/4-10 X 3	5	20	100
FC51228	3/4-10 X 3 1/2	5	20	85
FC51232	3/4-10 X 4	5	20	75
FC51236	3/4-10 X 4 1/2	-	1	60
FC51240	3/4-10 X 5	-	1	60
FC51244	3/4-10 X 5 1/2	-	1	60
FC51248	3/4-10 X 6	-	1	60

CARRIAGE BOLTS

GRADE 8 • COARSE THREAD • ZINC PLATED • IMPORTED

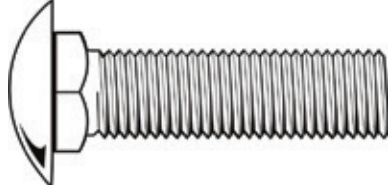
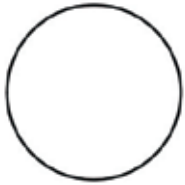


Carriage Bolts Grade 8 are manufactured to SAE J429 Grade 8 specs. They have a minimum tensile strength of 150,000 psi.

Part #	Size	Farm Pack Quantity	Shop Pack Quantity	Bulk Quantity
FC80812	1/2-13 X 1 1/2	15	50	460
FC80816	1/2-13 X 2	15	50	280
FC80820	1/2-13 X 2 1/2	15	50	340

We have many other sizes of grade 8 carriage bolts available in 1-2 days.

18-8 STAINLESS STEEL • COARSE THREAD • IMPORTED



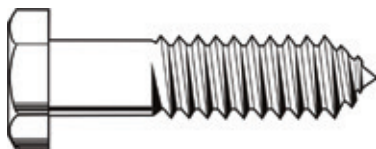
18-8 Stainless Carriage Bolts have a tensile strength of 100,000-125,000 psi and a minimum Rockwell hardness of B100.

Part #	Size	Shop Pack Quantity	Bulk Quantity
FSSC304	10-24 X 1	100	3500
FSSC306	10-24 X 1 1/2	100	2250
FSSC402	1/4-20 X 1/2	100	3750
FSSC403	1/4-20 X 3/4	100	3250
FSSC404	1/4-20 X 1	100	2875
FSSC405	1/4-20 X 1 1/4	100	2500
FSSC406	1/4-20 X 1 1/2	100	2125
FSSC407	1/4-20 X 1 3/4	100	1500
FSSC408	1/4-20 X 2	100	1375
FSSC409	1/4-20 X 2 1/4	100	1200
FSSC410	1/4-20 X 2 1/2	100	1000
FSSC412	1/4-20 X 3	100	750
FSSC414	1/4-20 X 3 1/2	100	625
FSSC416	1/4-20 X 4	100	525
FSSC503	5/16-18 X 3/4	100	2000
FSSC504	5/16-18 X 1	100	1625
FSSC505	5/16-18 X 1 1/4	100	1375
FSSC506	5/16-18 X 1 1/2	100	1250
FSSC508	5/16-18 X 2	100	1000
FSSC510	5/16-18 X 2 1/2	100	800
FSSC511	5/16-18 X 2 3/4	100	750

Part #	Size	Shop Pack Quantity	Bulk Quantity
FSSC512	5/16-18 X 3	100	625
FSSC514	5/16-18 X 3 1/2	50	500
FSSC516	5/16-18 X 4	50	375
FSSC603	3/8-16 X 3/4	100	1250
FSSC604	3/8-16 X 1	100	1000
FSSC605	3/8-16 X 1 1/4	100	875
FSSC606	3/8-16 X 1 1/2	100	825
FSSC608	3/8-16 X 2	100	550
FSSC609	3/8-16 X 2 1/4	50	625
FSSC610	3/8-16 X 2 1/2	50	450
FSSC612	3/8-16 X 3	50	450
FSSC614	3/8-16 X 3 1/2	50	350
FSSC616	3/8-16 X 4	50	300
FSSC622	3/8-16 X 5 1/2	50	200
FSSC805	1/2-13 X 1 1/4	50	450
FSSC806	1/2-13 X 1 1/2	50	400
FSSC808	1/2-13 X 2	50	350
FSSC812	1/2-13 X 3	50	250
FSSC1008	5/8-11 X 2	25	130

HEX LAG SCREWS

ZINC PLATED • IMPORTED



Hex Lag Screws are manufactured to SAE J429 Grade 1 specs. They have a minimum tensile strength (not pullout strength) of 60,000 psi. Typical hardness is HRB 70-100. Diameter is measured on the outside of the threads. Length is measured under the head to the end of the lag. Socket size (width across the flats) is equivalent to Hex Bolts.

Part #	Size	Farm Pack Quantity	Shop Pack Quantity	Bulk Quantity
FL408	1/4 X 1	25	100	2500
FL410	1/4 X 1 1/4	25	100	2250
FL412	1/4 X 1 1/2	25	100	1875
FL416	1/4 X 2	25	100	1425
FL420	1/4 X 2 1/2	25	100	1125
FL424	1/4 X 3	25	100	875
FL428	1/4 X 3 1/2	25	100	875
FL432	1/4 X 4	25	100	700
FL436	1/4 X 4 1/2	25	100	675
FL440	1/4 X 5	25	100	550
FL508	5/16 X 1	25	100	1375
FL512	5/16 X 1 1/2	25	100	1000
FL516	5/16 X 2	25	100	750
FL520	5/16 X 2 1/2	25	100	550
FL524	5/16 X 3	25	100	625
FL528	5/16 X 3 1/2	15	50	450
FL532	5/16 X 4	15	50	525
FL536	5/16 X 4 1/2	15	50	425
FL540	5/16 X 5	15	50	375
FL548	5/16 X 6	15	50	300
FL608	3/8 X 1	25	100	875
FL612	3/8 X 1 1/2	25	100	550
FL616	3/8 X 2	25	100	600
FL620	3/8 X 2 1/2	15	50	450
FL624	3/8 X 3	15	50	350
FL628	3/8 X 3 1/2	15	50	375
FL632	3/8 X 4	15	50	250
FL636	3/8 X 4 1/2	15	50	225
FL640	3/8 X 5	15	50	250
FL644	3/8 X 5 1/2	15	50	175
FL648	3/8 X 6	15	50	150

Part #	Size	Farm Pack Quantity	Shop Pack Quantity	Bulk Quantity
FL656	3/8 X 7	-	1	145
FL664	3/8 X 8	-	1	175
FL680	3/8 X 10	-	1	150
FL812	1/2 X 1 1/2	15	50	350
FL816	1/2 X 2	15	50	225
FL820	1/2 X 2 1/2	15	50	225
FL824	1/2 X 3	15	50	200
FL828	1/2 X 3 1/2	10	25	175
FL832	1/2 X 4	10	25	125
FL836	1/2 X 4 1/2	10	25	150
FL840	1/2 X 5	10	25	125
FL848	1/2 X 6	10	25	100
FL856	1/2 X 7	-	1	70
FL864	1/2 X 8	-	1	75
FL880	1/2 X 10	-	1	75
FL896	1/2 X 12	-	1	75
FL1016	5/8 X 2	10	25	225
FL1032	5/8 X 4	10	25	90
FL1040	5/8 X 5	10	25	70
FL1048	5/8 X 6	5	20	50
FL1072	5/8 X 9	-	1	30
FL1096	5/8 X 12	-	1	25
FL10128	5/8 X 16	-	1	35
FL1220	3/4 X 2 1/2	5	20	100
FL1232	3/4 X 4	5	20	75
FL1236	3/4 X 4 1/2	5	20	50
FL1240	3/4 X 5	5	20	50
FL1248	3/4 X 6	5	20	50
FL1264	3/4 X 8	-	1	30

HEX LAG SCREWS

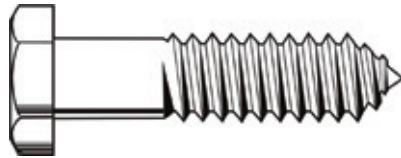
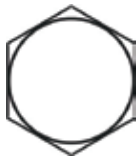
HOT DIP GALVANIZED • IMPORTED

Part #	Size	Farm Pack Quantity	Shop Pack Quantity	Bulk Quantity
FLF424	1/4 X 3*	25	100	1000
FLG432	1/4 X 4	25	100	700
FLG524	5/16 X 3	25	100	625
FLG532	5/16 X 4	15	50	525
FLG536	5/16 X 4 1/2	15	50	425
FLG540	5/16 X 5	15	50	375
FLG548	5/16 X 6	15	50	300

*Flanged Lags with a 3/8 hex.

Don't see the size you're looking for? Call us for availability!

18-8 STAINLESS STEEL • IMPORTED



Part #	Size	Farm Pack Quantity	Shop Pack Quantity
FSSL408	1/4 X 1	25	100
FSSL410	1/4 X 1 1/4	25	100
FSSL412	1/4 X 1 1/2	25	100
FSSL416	1/4 X 2	25	100
FSSL420	1/4 X 2 1/2	25	100
FSSL424	1/4 X 3	25	100
FSSL428	1/4 X 3 1/2	25	100
FSSL512	5/16 X 1 1/2	25	100
FSSL516	5/16 X 2	25	100
FSSL520	5/16 X 2 1/2	25	100

Part #	Size	Farm Pack Quantity	Shop Pack Quantity	Bulk Quantity
FLG610	3/8 X 1 1/4	25	100	875
FLG632	3/8 X 4	15	50	250
FLG640	3/8 X 5	15	50	250
FLG664	3/8 X 8	-	1	140
FLG828	1/2 X 4 1/2	10	25	150
FLG1032	5/8 X 4	10	25	90

18-8 Stainless Steel Hex Lag Screws have a minimum tensile strength (not pullout strength) of 100,000-125,000 psi. Minimum hardness is HRB 100. Diameter is measured on the outside of the threads. Length is measured under the head to the end of the lag. Socket size (width across the flats) is equivalent to Hex Bolts.

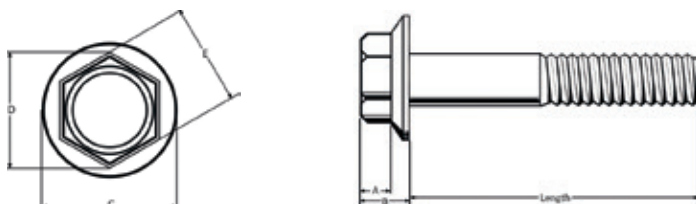
Part #	Size	Farm Pack Quantity	Shop Pack Quantity
FSSL524	5/16 X 3	25	100
FSSL528	5/16 X 3 1/2	15	50
FSSL532	5/16 X 4	15	50
FSSL616	3/8 X 2	25	100
FSSL620	3/8 X 2 1/2	15	50
FSSL624	3/8 X 3	15	50
FSSL628	3/8 X 3 1/2	15	50
FSSL632	3/8 X 4	15	50
FSSL832	1/2 X 4	10	25

HEX FLANGE SCREWS

TECHNICAL INFORMATION

Core Hardness Rockwell

Grade	Core Hardness Rockwell
5	C25-C34
8	C33- C39



Dimensions

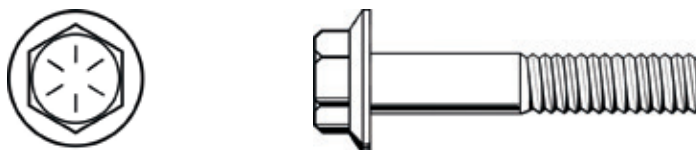
Diameter	A	B	C	D	E
1/4	0.170	0.280	0.560	0.421	3/8
5/16	0.210	0.320	0.680	0.562	1/2
3/8	0.250	0.390	0.810	0.634	9/16
7/16	0.300	0.460	0.930	0.703	5/8
1/2	0.340	0.510	1.070	0.845	3/4
5/8	0.420	0.620	1.330	1.054	15/16
3/4	0.510	0.730	1.590	1.266	1 1/8

Tensile Strengths

Coarse Thread			Fine Thread	
Diameter	Grade 5	Grade 8	Diameter	Grade 8
1/4-20	3800	4750	1/4-28	5450
5/16-18	6300	7850	5/16-24	8700
3/8-16	9300	11600	3/8-24	13200
7/16-14	12800	15900	7/16-20	17800
1/2-13	17000	21300	1/2-20	24000
5/8-11	27100	33900	5/8-18	38400
3/4-10	40100	50100	3/4-16	56000

Endurance limits vary widely. Endurance limits of 10-20% of the tensile strength have been reported.

GRADE 8 • COARSE THREAD • PHOS & OIL FINISH • MADE IN CANADA (FRAME BOLTS)



Hex Flange Screws Grade 8 are manufactured to SAE J429 Grade 8 & IFI-111 specs. They have a minimum tensile strength of 150,000 psi.

Part #	Size	Package Quantity	Bulk Quantity
FFS83504	7/16-14 X 1	50	500
FFS8404	1/2-13 X 1	50	325
FFS8405	1/2-13 X 1 1/4	50	300
FFS8406	1/2-13 X 1 1/2	50	250
FFS8407	1/2-13 X 1 3/4	50	225
FFS8408	1/2-13 X 2	50	200
FFS8409	1/2-13 X 2 1/4	50	175
FFS8410	1/2-13 X 2 1/2	50	150
FFS8412	1/2-13 X 3	25	150
FFS8414	1/2-13 X 3 1/2	25	135
FFS8416	1/2-13 X 4	25	120

Part #	Size	Package Quantity	Bulk Quantity
FFS8418	1/2-13 X 4 1/2	25	100
FFS8420	1/2-13 X 5	25	95
FFS8505	5/8-11 X 1 1/4	25	160
FFS8506	5/8-11 X 1 1/2	25	150
FFS8507	5/8-11 X 1 3/4	25	120
FFS8508	5/8-11 X 2	25	110
FFS8509	5/8-11 X 2 1/4	25	110
FFS8510	5/8-11 X 2 1/2	25	90
FFS8512	5/8-11 X 3	25	85
FFS8514	5/8-11 X 3 1/2	25	80
FFS8516	5/8-11 X 4	25	60

HEX FLANGE SCREWS

GRADE 8 • COARSE THREAD • PHOS & OIL FINISH • MADE IN CANADA (FRAME BOLTS)

Part #	Size	Package Quantity	Bulk Quantity
FFS8518	5/8-11 X 4 1/2	20	60
FFS8520	5/8-11 X 5	20	60
FFS8522	5/8-11 X 5 1/2	20	50
FFS8606	3/4-10 X 1 1/2	20	90
FFS8607	3/4-10 X 1 3/4	20	80
FFS8608	3/4-10 X 2	20	70

Part #	Size	Package Quantity	Bulk Quantity
FFS8610	3/4-10 X 2 1/2	20	55
FFS8612	3/4-10 X 3	15	50
FFS8614	3/4-10 X 3 1/2	15	50
FFS8616	3/4-10 X 4	15	45
FFS8620	3/4-10 X 5	10	40

GRADE 8 • FINE THREAD • PHOS & OIL FINISH • MADE IN CANADA (FRAME BOLTS)

Part #	Size	Package Quantity	Bulk Quantity
FFS8F406	1/2-20 X 1 1/2	50	250
FFS8F407	1/2-20 X 1 3/4	50	225
FFS8F408	1/2-20 X 2	50	200
FFS8F409	1/2-20 X 2 1/4	50	175
FFS8F410	1/2-20 X 2 1/2	50	150
FFS8F412	1/2-20 X 3	25	150
FFS8F414	1/2-20 X 3 1/2	25	135
FFS8F416	1/2-20 X 4	25	120
FFS8F420	1/2-20 X 5	25	95
FFS8F506	5/8-18 X 1 1/2	25	150
FFS8F507	5/8-18 X 1 3/4	25	120
FFS8F508	5/8-18 X 2	25	110

Part #	Size	Package Quantity	Bulk Quantity
FFS8F509	5/8-18 X 2 1/4	25	110
FFS8F510	5/8-18 X 2 1/2	25	90
FFS8F512	5/8-18 X 3	25	85
FFS8F514	5/8-18 X 3 1/2	25	80
FFS8F516	5/8-18 X 4	25	60
FFS8F518	5/8-18 X 4 1/2	20	60
FFS8F520	5/8-18 X 5	20	60
FFS8F608	3/4-16 X 2	20	70
FFS8F610	3/4-16 X 2 1/2	20	55
FFS8F612	3/4-16 X 3	15	50
FFS8F614	3/4-16 X 3 1/2	15	50
FFS8F616	3/4-16 X 4	15	45

SERRATED • GRADE 5 • COARSE THREAD • ZINC PLATED • IMPORTED



Serrated Hex Flange Screws Grade 5 are manufactured to SAE J429 Grade 5 & IFI-111 specs. They have a minimum tensile strength of 120,000 psi.

Part #	Size	Package Quantity	Bulk Quantity
FFS50404	1/4-20 X 1/2	100	2800
FFS50405	1/4-20 X 5/8	100	2500
FFS50406	1/4-20 X 3/4	100	2300
FFS50408	1/4-20 X 1	100	2000
FFS50410	1/4-20 X 1 1/4	100	1400
FFS50412	1/4-20 X 1 1/2	100	1400
FFS50414	1/4-20 X 1 3/4	100	1100
FFS50416	1/4-20 X 2	100	800
FFS50420	1/4-20 X 2 1/2	100	700
FFS50504	5/16-18 X 1/2	100	1500
FFS50506	5/16-18 X 3/4	100	1200
FFS50508	5/16-18 X 1	100	1100
FFS50510	5/16-18 X 1 1/4	100	1000

Part #	Size	Package Quantity	Bulk Quantity
FFS50512	5/16-18 X 1 1/2	100	900
FFS50514	5/16-18 X 1 3/4	100	800
FFS50516	5/16-18 X 2	100	550
FFS50518	5/16-18 X 2 1/4	100	700
FFS50604	3/8-16 X 1/2	100	900
FFS50606	3/8-16 X 3/4	100	800
FFS50608	3/8-16 X 1	100	700
FFS50610	3/8-16 X 1 1/4	100	650
FFS50612	3/8-16 X 1 1/2	100	600
FFS50614	3/8-16 X 1 3/4	100	500
FFS50616	3/8-16 X 2	100	400
FFS50620	3/8-16 X 2 1/2	50	400
FFS50624	3/8-16 X 3	50	350

HEX FLANGE SCREWS & PLOW BOLTS

HEX FLANGE SCREWS *CONTINUED FROM PREVIOUS PAGE

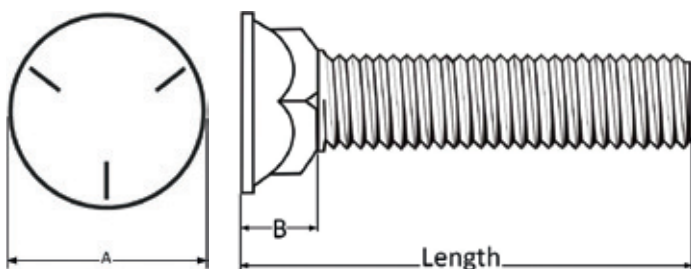
SERRATED • GRADE 5 • COARSE THREAD • ZINC PLATED • IMPORTED

Part #	Size	Package Quantity	Bulk Quantity
FFS50712	7/16-14 X 1 1/2	50	400
FFS50806	1/2-13 X 3/4	50	400
FFS50808	1/2-13 X 1	50	300
FFS50810	1/2-13 X 1 1/4	50	250

Part #	Size	Package Quantity	Bulk Quantity
FFS50812	1/2-13 X 1 1/2	50	200
FFS50816	1/2-13 X 2	50	150
FFS50820	1/2-13 X 2 1/2	50	125
FFS50824	1/2-13 X 3	50	100

PLOW BOLTS

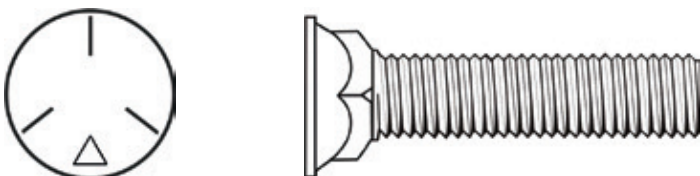
TECHNICAL INFORMATION



Dimensions

Diameter	A	B	Width of Square
3/8-16	0.671	0.296	0.383
7/16-14	0.781	0.346	0.446
1/2-13	0.890	0.396	0.508
5/8-11	1.094	0.481	0.633
3/4-10	1.250	0.516	0.758
7/8-9	1.469	0.595	0.890
1-8	1.656	0.659	1.015

GRADE 5 • COARSE THREAD • PLAIN FINISH • MADE IN CANADA OR IMPORTED



Plow Bolts Grade 5 are manufactured to SAE J429 Grade 5 specs. They have a minimum tensile strength of 120,000 psi.

Part #	Size	Farm Pack Quantity	Shop Pack Quantity	Bulk Quantity
FP0608	3/8-16 X 1	25	100	1200
FP0610	3/8-16 X 1 1/4	25	100	1000
FP0612	3/8-16 X 1 1/2	25	100	850
FP0614	3/8-16 X 1 3/4	25	100	725
FP0616	3/8-16 X 2	25	100	625
FP0620	3/8-16 X 2 1/2	15	50	500
FP0710	7/16-14 X 1 1/4	15	50	700
FP0712	7/16-14 X 1 1/2	15	50	600
FP0714	7/16-14 X 1 3/4	15	50	525
FP0716	7/16-14 X 2	15	50	475
FP0718	7/16-14 X 2 1/4	15	50	425
FP0720	7/16-14 X 2 1/2	15	50	350
FP0724	7/16-14 X 3	15	50	300

Part #	Size	Farm Pack Quantity	Shop Pack Quantity	Bulk Quantity
FP0810	1/2-13 X 1 1/4	15	50	525
FP0812	1/2-13 X 1 1/2	15	50	450
FP0814	1/2-13 X 1 3/4	15	50	400
FP0816	1/2-13 X 2	15	50	350
FP0818	1/2-13 X 2 1/4	15	50	300
FP0820	1/2-13 X 2 1/2	15	50	275
FP0824	1/2-13 X 3	15	50	225
FP0828	1/2-13 X 3 1/2	10	25	200
FP1012	5/8-11 X 1 1/2	10	25	275
FP1016	5/8-11 X 2	10	25	225
FP1024	5/8-11 X 3	10	25	150
FP1028	5/8-11 X 3 1/2	10	25	125

PLOW BOLTS

OVERSIZE HEAD • GRADE 5 • COARSE THREAD • PLAIN FINISH • MADE IN CANADA OR IMPORTED

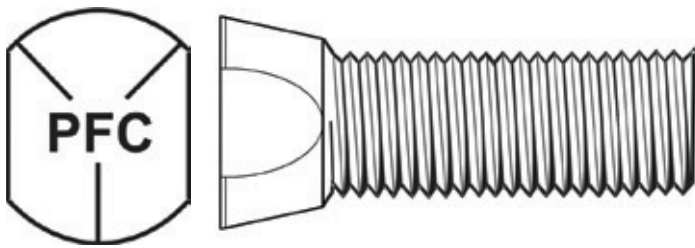
Part #	Size	Farm Pack Quantity	Shop Pack Quantity	Bulk Quantity
FPOH0612	3/8-16 X 1 1/2	25	100	700

GRADE 8 • COARSE THREAD • PLAIN FINISH • MADE IN CANADA OR IMPORTED

Plow Bolts Grade 8 are manufactured to SAE J429 Grade 8 specs. They have a minimum tensile strength of 150,000 psi.

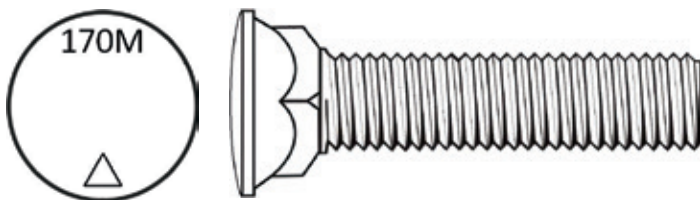
Part #	Size	Farm Pack Quantity	Shop Pack Quantity	Bulk Quantity
FP80814	1/2-13 X 1 3/4	15	50	400

CLIPPED HEAD • GRADE 5 • COARSE THREAD • PLAIN FINISH • MADE IN CANADA OR IMPORTED



Part #	Size	Farm Pack Quantity	Shop Pack Quantity	Bulk Quantity
FPCH0610	3/8-16 X 1 1/4	25	100	1000
FPCH0710	7/16-14 X 1 1/4	15	50	750
FPCH0712	7/16-14 X 1 1/2	15	50	675
FPCH0810	1/2-13 X 1 1/4	15	50	600
FPCH0812	1/2-13 X 1 1/2	15	50	525

DOME HEAD • 170M PSI TENSILE • COARSE THREAD • PLAIN FINISH • MADE IN CANADA (SCRAPER BLADE BOLTS)



Part #	Size	Farm Pack Quantity	Shop Pack Quantity	Bulk Quantity
FSBB1016	5/8-11 X 2	10	25	200
FSBB1018	5/8-11 X 2 1/4	10	25	175
FSBB1020	5/8-11 X 2 1/2	10	25	175
FSBB1024	5/8-11 X 3	10	25	150
FSBB1028	5/8-11 X 3 1/2	10	25	125
FSBB1220	3/4-10 X 2 1/2	5	20	125
FSBB1224	3/4-10 X 3	5	20	100
FSBB1228	3/4-10 X 3 1/2	5	20	90
FSBB1422	7/8-9 X 2 3/4	5	15	75
FSBB1424	7/8-9 X 3	5	15	70
FSBB1428	7/8-9 X 3 1/2	5	15	60
FSBB1628	1-8 X 3 1/2	5	10	45

HEX TAP BOLTS

GRADE 307A • COARSE THREAD • ZINC PLATED • IMPORTED (FULLY THREADED)



Hex Tap Bolts Grade A307 are manufactured to ASTM A307 Grade A specs. They have a minimum tensile strength of 60,000 psi. Their dimensions are the same as Hex Bolts.

Part #	Size	Package Quantity	Bulk Quantity
FHTB0412	1/4-20 X 1 1/2	100	1825
FHTB0414	1/4-20 X 1 3/4	100	1550
FHTB0516	5/16-18 X 2	100	900
FHTB0612	3/8-16 X 1 1/2	100	750
FHTB0616	3/8-16 X 2	100	600

GRADE 5 • COARSE THREAD • ZINC PLATED • IMPORTED (FULLY THREADED)



Hex Tap Bolts Grade 5 are manufactured to SAE J429 Grade 5 specs. They have a minimum tensile strength of 120,000 psi. Their dimensions are the same as Hex Bolts.

Part #	Size	Package Quantity	Bulk Quantity
FHTB50412	1/4-20 X 1 1/2	100	1800
FHTB50416	1/4-20 X 2	100	1375
FHTB50424	1/4-20 X 3	100	950
FHTB50512	5/16-18 X 1 1/2	100	1050
FHTB50516	5/16-18 X 2	100	850
FHTB50520	5/16-18 X 2 1/2	100	725
FHTB50524	5/16-18 X 3	100	625
FHTB50532	5/16-18 X 4	50	500
FHTB50536	5/16-18 X 4 1/2	50	300
FHTB50616	3/8-16 X 2	100	575
FHTB50620	3/8-16 X 2 1/2	50	500
FHTB50624	3/8-16 X 3	50	425
FHTB50628	3/8 X 3 1/2	50	375
FHTB50632	3/8-16 X 4	50	330
FHTB50648	3/8-16 X 6	50	240
FHTB50716	7/16-14 X 2	50	400
FHTB50724	7/16-14 X 3	50	300
FHTB50728	7/16-14 X 3 1/2	25	270
FHTB50732	7/16-14 X 4	25	250
FHTB50816	1/2-13 X 2	50	300

Part #	Size	Package Quantity	Bulk Quantity
FHTB50820	1/2-13 X 2 1/2	50	250
FHTB50824	1/2-13 X 3	50	225
FHTB50828	1/2-13 X 3 1/2	25	200
FHTB50832	1/2-13 X 4	25	180
FHTB50840	1/2-13 X 5	25	150
FHTB50848	1/2-13 X 6	25	125
FHTB50864	1/2-13 X 8	-	50
FHTB51024	5/8-11 X 3	25	130
FHTB51028	5/8-11 X 3 1/2	25	120
FHTB51032	5/8-11 X 4	25	110
FHTB51040	5/8-11 X 5	20	90
FHTB51048	5/8-11 X 6	20	75
FHTB51224	3/4-10 X 3	20	85
FHTB51228	3/4-10 X 3 1/2	20	80
FHTB51232	3/4-10 X 4	20	70
FHTB51240	3/4-10 X 5	15	60
FHTB51248	3/4-10 X 6	-	50
FHTB51428	7/8-9 X 3 1/2	15	75

Grade 8 coarse thread hex tap bolts and grade 5 and 8 fine thread hex tap bolts are available in 1-2 days.

HEX TAP BOLTS & STEP BOLTS

HEX TAP BOLTS

18-8 STAINLESS STEEL • COARSE THREAD • IMPORTED (FULLY THREADED)



18-8 Stainless Steel Hex Tap Bolts have a minimum tensile strength of 100,000-125,000 psi. They have a minimum Rockwell hardness of B100. Their dimensions are the same as Hex Bolts.

Part #	Size	Package Quantity
FSSHTB0416	1/4-20 X 2	100
FSSHTB0420	1/4-20 X 2-1/2	100
FSSHTB0720	7/16-14 X 2-1/2	50
FSSHTB0824	1/2-13 X 3	50
FSSHTB1024	5/8-11 X 3	25
FSSHTB1040	5/8-11 X 5	20

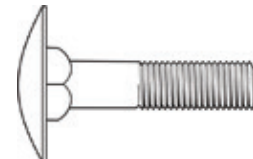
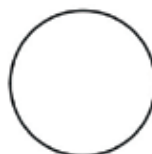
Don't see the size you're looking for? Call us for availability!

STEP BOLTS

GRADE 307A • COARSE THREAD • ZINC PLATED • IMPORTED

Head Dimensions

Diameter	Head OD	Head Height
1/4-20	0.828	0.135
5/16-18	1.015	0.166
3/8-16	1.203	0.198



Step Bolts Grade A307 are manufactured to ASTM A307 Grade A specs. They have a minimum tensile strength of 60,000 psi. Step Bolts are a Carriage Bolt with an extra large head.

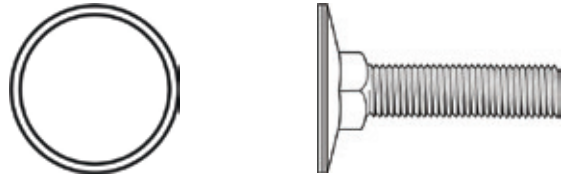
Part #	Size	Package Quantity	Bulk Quantity
FSB0408	1/4-20 X 1	100	1000
FSB0410	1/4-20 X 1 1/4	100	800
FSB0412	1/4-20 X 1 1/2	100	800
FSB0416	1/4-20 X 2	100	600
FSB0424	1/4-20 X 3	100	400
FSB0508	5/16-18 X 1	100	500
FSB0512	5/16-18 X 1 1/2	100	450
FSB0516	5/16-18 X 2	100	400
FSB0520	5/16-18 X 2 1/2	100	300
FSB0612	3/8-16 X 1 1/2	50	300
FSB0616	3/8-16 X 2	50	250
FSB0620	3/8-16 X 2 1/2	50	200
FSB0624	3/8-16 X 3	50	200

ELEVATOR BOLTS

GRADE 1 • COARSE THREAD • ZINC PLATED • IMPORTED

Head Dimensions

Diameter	Head OD	Head Height
1/4-20	0.969	0.088
5/16-18	1.188	0.104
3/8-16	1.312	0.135



Elevator Bolts Grade 1 are manufactured to SAE J429 Grade 1 specs. They have a minimum tensile strength of 60,000 psi.

Part #	Size	Package Quantity	Bulk Quantity
FEB0410	1/4-20 X 1 1/4	100	1200
FEB0516	5/16-18 X 2	100	500
FEB0520	5/16-18 X 2 1/2	50	400
FEB0612	3/8-16 X 1 1/2	100	450

GRADE 1 • COARSE THREAD • PLAIN FINISH • IMPORTED

Part #	Size	Package Quantity	Bulk Quantity
FEBP0408	1/4-20 X 1	100	1400
FEBP0410	1/4-20 X 1 1/4	100	1200
FEBP0412	1/4-20 X 1 1/2	100	1000
FEBP0510	5/16-18 X 1 1/4	100	650
FEBP0512	5/16-18 X 1 1/2	100	600
FEBP0516	5/16-18 X 2	100	500

18-8 STAINLESS STEEL • COARSE THREAD • IMPORTED

Part #	Size	Package Quantity	Bulk Quantity
FSSEB0412	1/4-20 X 1 1/2	100	1000

TURNED EYE BOLTS

COARSE THREAD • ZINC PLATED • MADE IN USA OR IMPORTED



Eye Bolts are manufactured from low carbon steel. Size is measured on the outside of the thread by the over all length.

Part #	Size	Eye ID	Thread Length	Stem Length	Package Quantity
FEYB0316	3/16 X 2	9/32	1 3/16	1 7/16	100
FEYB0416	1/4 X 2	9/16	7/8	1 1/16	100
FEYB0420	1/4 X 2 1/2	9/16	1 1/8	1 9/16	50
FEYB0424	1/4 X 3	9/16	1 3/4	2	50
FEYB0432	1/4 X 4	9/16	2 3/4	3	10
FEYB043206	1/4 X 4	3/8	3	3 1/8	50
FEYB0440	1/4 X 5	9/16	3 1/4	4	10
FEYB0448	1/4 X 6	9/16	3 1/4	5	10
FEYB0526	5/16 X 3 1/4	3/4	1 3/4	2	50
FEYB0532	5/16 X 4	3/4	2 1/4	2 3/4	50
FEYB0540	5/16 X 5	3/4	3 1/4	3 3/4	50
FEYB0548	5/16 X 6	3/4	3 1/4	4 3/4	50
FEYB0632	3/8 X 4	1	2 1/8	2 3/8	50
FEYB0640	3/8 X 5	1	3 1/8	3 3/8	25
FEYB0648	3/8 X 6	1	3 1/4	4 3/8	25
FEYB0748	7/16 X 6 1/2	25/32	2 1/4	5	25
FEYB0832	1/2 X 4	1 1/4	1 1/4	2	10
FEYB0848	1/2 X 6	1 1/4	3 3/4	4	10
FEYB0854	1/2 X 6 3/4	1 1/4	4 1/2	4 3/4	10
FEYB10144	5/8 X 18	1 1/4	13 1/2	15 1/4	1

18-8 STAINLESS STEEL • COARSE THREAD • MADE IN USA

Part #	Size	Eye ID	Thread Length	Stem Length	Package Quantity
FSSEYB01020	10-24 X 2 1/2	1/2	1 1/4	1 5/8	20
FSSEYB0416	1/4-20 X 2	9/16	7/8	1 1/16	20
FSSEYB0424	1/4-20 X 3	9/16	1 3/4	2	20
FSSEYB0526	5/16-18 X 3 1/4	3/4	1 3/4	2	10
FSSEYB0627	3/8-16 X 3 3/16	1	1 1/8	1 1/2	10
FSSEYB0632	3/8-16 X 4	1	2 1/8	2 3/8	10
FSSEYB064012	3/8-16 X 5	3/4	3	3 5/8	10
FSSEYB0648	3/8-16 X 6	1	3 1/4	4 3/8	10

*Lead time is 3-4 days on these sizes.

Don't see the size you're looking for? Call us for availability!

EYE LAGS (SCREW EYES) & U-BOLTS

EYE LAGS (SCREW EYES)

ZINC PLATED • MADE IN USA OR IMPORTED



Eye lags are manufactured from low carbon steel. Size is measured on the outside of the thread by the over all length.

Part #	Size	Eye ID	Thread Length	Stem Length	Package Quantity
FEYL0316	3/16 X 1 15/16	17/32	3/4	31/32	100
FEYL421	.262 X 2 5/8	23/32	7/8	1 5/16	50
FEYL532	5/16 X 4	25/32	2	2 3/4	50
FEYL636	3/8 X 4 1/2	3/4	1 3/4	3 1/16	10

U-BOLTS

ROUND BEND • COARSE THREAD • ZINC PLATED • MADE IN USA



U-bolts are manufactured from low carbon steel. Size is measured on the outside of the thread by the inside width by the inside height. Round Bend U-Bolts come assembled with plates and nuts and Square Bend U-Bolts come assembled with washers and nuts unless otherwise noted.

Part #	Size	Thread Length	Package Qty
FUB052235*	5/16-18 X 1 3/8 X 2 3/16	1 1/8	50
FUB052255P	5/16-18 X 1 3/8 X 3 7/16	2 1/4	10
FUB052843P	5/16-18 X 1 3/4 X 2 11/16	1 3/8	10

*Not stocked assembled with plates and nuts.

The round bend U-bolts on the following table are not stock items but are available in 2-3 days.

Part #	Size	Thread Length	Package Qty
FUB041220P	1/4-20 X 3/4 X 1 1/4	3/4	10
FUB041236P	1/4-20 X 3/4 X 2 1/4	1 1/2	10
FUB041244P	1/4-20 X 3/4 X 2 3/4	2	10
FUB041832P	1/4-20 X 1 1/8 X 2	1	10
FUB042244P	1/4-20 X 1 3/8 X 2 3/4	1 5/8	10
FUB042260P	1/4-20 X 1 3/8 X 3 3/4	2 3/8	10
FUB053243P	5/16-18 X 2 X 3	1 1/2	10
FUB054051P	5/16-18 X 2 1/2 X 3 1/2	1 3/4	10
FUB062846P	3/8-16 X 1 3/4 X 2 7/8	1 5/8	10
FUB063250P	3/8-16 X 2 X 3 1/8	2	10
FUB064058P	3/8-16 X 2 1/2 X 3 5/8	2	10
FUB064866P	3/8-16 X 3 X 4 1/8	2	10
FUB065678P	3/8-16 X 3 1/2 X 4 7/8	2	10
FUB084880P	1/2-13 X 3 X 5	3	5
FUB085688P	1/2-13 X 3 1/2 X 5 1/2	3	5
FUB086496P	1/2-13 X 4 X 6	3	5
FUB0872104P	1/2-13 X 4 1/2 X 6 1/2	3	5

U-BOLTS, HANGER BOLTS & DOWEL SCREWS

U-BOLTS *CONTINUED FROM PREVIOUS PAGE

SQUARE BEND • COARSE THREAD • ZINC PLATED • MADE IN USA



Part #	Size	Thread Length	Package Quantity
FUBSBZ061637	3/8-16 X 2 X 4 5/8	3	10
FUBSBZ061653	3/8-16 X 2 X 6 5/8	3 3/4	10
FUBSBZ063338*	3/8-16 X 4 1/8 X 4 3/4	2 1/2	10

*Not stocked assembled with washers and nuts.

The square bend U-bolts on the following table are not stock items but are available in 2-3 days.

Part #	Size	Thread Length	Package Quantity
FUBSBZ061621	3/8-16 X 2 X 2 5/8	1 1/2	10
FUBSBZ063221	3/8-16 X 4 X 2 5/8	1 1/2	10
FUBSBZ063237	3/8-16 X 4 X 4 5/8	3	10
FUBSBZ063253	3/8-16 X 4 X 6 5/8	3 3/4	10
FUBSBZ064837	3/8-16 X 6 X 4 5/8	3	10
FUBSBZ064853	3/8-16 X 6 X 6 5/8	3 3/4	10
FUBSBZ064869	3/8-16 X 6 X 8 5/8	5 5/8	10

Don't see the size you're looking for? Custom U-bolts are also available. Call us for price and availability!

HANGER BOLTS

COARSE THREAD • ZINC PLATED • IMPORTED OR MADE IN USA



Hanger Bolts are manufactured from low carbon steel. Size is measured on the outside of the threads by the overall length.

Part #	Size	Package Quantity	Bulk Quantity
FHB0524	5/16-18 X 3	100	1500
FHB0528	5/16-18 X 3 1/2	50	1200
FHB0628*	3/8 X 3 1/2	50	700

* Plain finish

DOWEL SCREWS

PLAIN FINISH • MADE IN USA

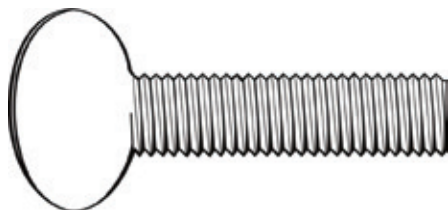


Dowel Screws are manufactured from low carbon steel. Size is measured on the outside of the threads by the overall length.

Part #	Size	Package Quantity	Bulk Quantity
FDS0420	1/4-10 X 2 1/2	100	2000

THUMB SCREWS

COARSE THREAD • ZINC PLATED • NO SHOULDER • IMPORTED

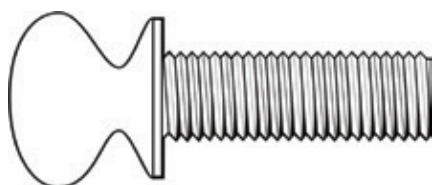
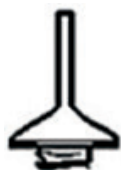


Thumb Screws with no shoulder are manufactured from low carbon steel to IFI-156 Type A specs. Size is measured on the outside of the threads by the length under the head.

Part #	Size	Head Width	Head Height	Package Quantity
FTSP0404	1/4-20 X 1/2	0.81	0.55	100
FTSP0406	1/4-20 X 3/4	0.81	0.55	100
FTSP0410	1/4-20 X 1 1/4*	0.81	0.55	100
FTSP0506	5/16-18 X 3/4	0.87	0.67	100
FTSP0508	5/16-18 X 1*	0.87	0.67	100
FTSP0608	3/8-16 X 1*	1.02	0.75	50

*Non stock item. 4-6 day lead time.

COARSE THREAD • ZINC PLATED • WITH SHOULDER • IMPORTED



Thumb Screws with a shoulder are manufactured from low carbon steel to IFI-156 Type B specs. Size is measured on the outside of the threads by the length under the shoulder.

Part #	Size	Head Width	Head Height	Package Quantity
FTSS0406	1/4-20 X 3/4*	0.48	0.57	100
FTSS0410	1/4-20 X 1 1/4**	0.48	0.57	100
FTSS0412	1/4-20 X 1 1/2	0.48	0.57	100
FTSS0508	5/16-18 X 1	0.57	0.73	100
FTSS0606	3/8-16 X 3/4	0.71	0.88	50
FTSS0608	3/8-16 X 1*	0.71	0.88	50
FTSS0612	3/8-16 X 1 1/2*	0.71	0.88	50

*Non stock item. 4-6 day lead time.

**This size is in stock in Plain Finish.

Don't see the size you're looking for? Call us for availability!

STRUCTURAL BOLTS

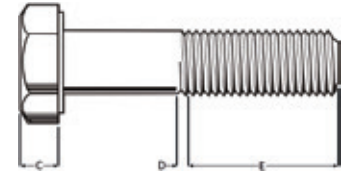
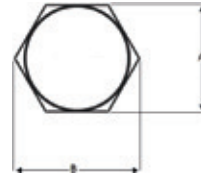
TECHNICAL INFORMATION

Rockwell Hardness

Grade	Sizes	Core Hardness Rockwell
A325	1/2-1	C24-C35
A325	1 1/8-1 1/2	C19-C31
A490	ALL	C33-C38

Tensile Strengths

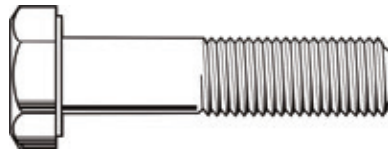
Grade A325	Grade A490
120,000 PSI	150,000 PSI



Dimensions

Bolt Diameter	A	B		C	D	E
	WIDTH ACROSS FLATS	WIDTH ACROSS CORNERS		HEAD HEIGHT	BASIC THREAD LENGTH 6" AND SHORTER	TRANSITION THREAD LENGTH
		Max	Min			
1/2	7/8	1.010	0.969	5/16	1.00	0.19
5/8	1 1/16	1.227	1.175	25/64	1.25	0.22
3/4	1 1/4	1.443	1.383	15/32	1.38	0.25
7/8	1 7/16	1.600	1.589	35/64	1.50	0.28
1	1 5/8	1.876	1.796	39/64	1.75	0.31
1 1/8	1 13/16	2.093	2.002	11/16	2.00	0.34
1 1/4	2	2.000	2.209	25/32	2.00	0.38
1 1/2	2 3/8	2.742	2.622	15/16	2.25	0.44

GRADE A325 • COARSE THREAD • PLAIN FINISH • MADE IN CANADA OR IMPORTED



Structural Bolts are especially designed to bolt together steel joints in heavy construction.

Part #	Size	Package Quantity	Bulk Quantity
FSBA3250810	1/2-13 X 1 1/4	50	1710
FSBA3250812	1/2-13 X 1 1/2	50	1560
FSBA3250814	1/2-13 X 1 3/4	50	1420
FSBA3250816	1/2-13 X 2	50	1290
FSBA3250860	1/2-13 X 7 1/2	1	250
FSBA3251012	5/8-11 X 1 1/2	25	900
FSBA3251014	5/8-11 X 1 3/4	25	850
FSBA3251016	5/8-11 X 2	25	825
FSBA3251018	5/8-11 X 2 1/4	25	775
FSBA3251020	5/8-11 X 2 1/2	25	725
FSBA3251064	5/8-11 X 8	1	175
FSBA3251212	3/4-10 X 1 1/2	20	650
FSBA3251214	3/4-10 X 1 3/4	20	600
FSBA3251216	3/4-10 X 2	20	550
FSBA3251218	3/4-10 X 2 1/4	20	500

Part #	Size	Package Quantity	Bulk Quantity
FSBA3251220	3/4-10 X 2 1/2	20	475
FSBA3251222	3/4-10 X 2 3/4	20	425
FSBA3251224	3/4-10 X 3	20	400
FSBA3251226	3/4-10 X 3 1/4	20	375
FSBA3251228	3/4-10 X 3 1/2	20	350
FSBA3251240	3/4-10 X 5	20	225
FSBA3251248	3/4-10 X 6	1	190
FSBA3251272	3/4-10 X 9	1	100
FSBA3251414	7/8-9 X 1 3/4	15	450
FSBA3251416	7/8-9 X 2	15	425
FSBA3251420	7/8-9 X 2 1/2	15	350
FSBA3251616	1-8 X 2	10	300
FSBA3251618	1-8 X 2 1/4	10	275
FSBA3251620	1-8 X 2 1/2	10	250

STRUCTURAL BOLTS, SQUARE HEAD BOLTS & WHEEL BOLTS

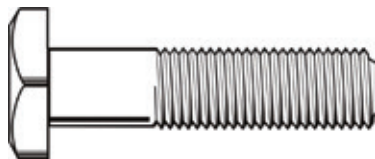
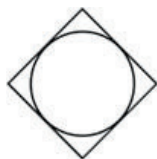
STRUCTURAL BOLTS

GRADE A325 • COARSE THREAD • HOT DIP GALVANIZED • MADE IN CANADA OR IMPORTED

Part #	Size	Package Quantity	Bulk Quantity
FSBA325G0810	1/2-13 X 1 1/4	50	1660
FSBA325G1012	5/8-11 X 1 1/2	25	875
FSBA325G1016	5/8-11 X 2	25	750
FSBA325G1214	3/4-10 X 1 3/4	20	600
FSBA325G1216	3/4-10 X 2	20	550
FSBA325G1218	3/4-10 X 2 1/4	20	500
FSBA325G1220	3/4-10 X 2 1/2	20	475
FSBA325G1224	3/4-10 X 3	20	400
FSBA325G1248	3/4-10 X 6	1	190
FSBA325G1428	7/8-9 X 3 1/2	15	250

Don't see the size you're looking for? Call us for availability!

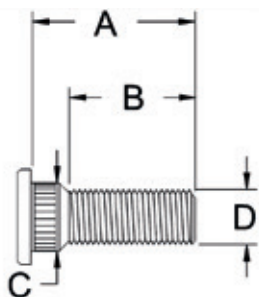
SQUARE HEAD BOLTS



Square Head Bolts are available in grade A307, 5, and 8. They are also available in fine thread in grade 5 and 8. Lead time is 2-3 days on grade 5 and 8 and 3-6 days on Grade A307.

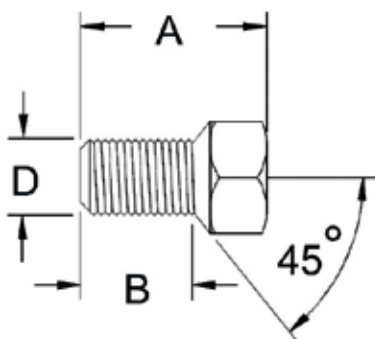
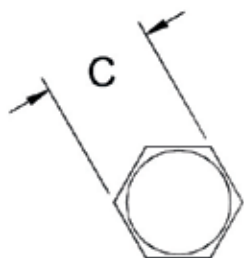
WHEEL BOLTS

KNURLED SHOULDER • GRADE 8 • FINE THREAD • ZINC PLATED • IMPORTED



Part #	Diameter	Length	Knurl Dia	Shoulder Length	Package Quantity
AV14227	1/2-20	1.51/1.54	.618/.628	.31/.33	10

HEX HEAD • TAPERED SHOULDER • GRADE 5 • FINE THREAD • ZINC PLATED • IMPORTED



Part #	Size (D X A)	C		Taper	Package Quantity
		HEX SIZE	THREAD LENGTH		
AV14225	1/2-20 X 1 1/2*	3/4	15/16	30°	10
EQ540-0820	1/2-20 X 1 1/2	3/4	1	45°	25
EQ54000918	9/16-18 X 1 3/4	7/8	1 1/8	45°	25

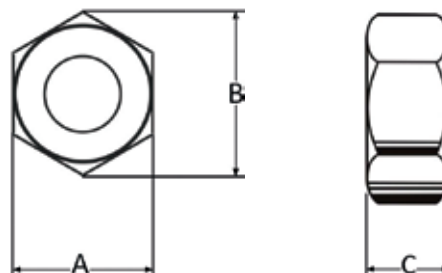
*Grade 8

HEX NUTS

TECHNICAL INFORMATION

Rockwell Hardness

Grade	Core Hardness Rockwell
2	B69-B100
5	C25-C34
8	C33- C39
9	C38-C42

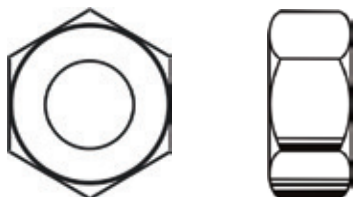


Dimensions

Thread Size	A	B	C (Grade 2, 5, & 8)	C (Grade 9)
#1	5/32	0.175	3/64	-
#2	3/16	0.211	1/16	-
#3	3/16	0.211	1/16	-
#4	1/4	0.282	3/32	-
#5	5/16	0.352	7/64	-
#6	5/16	0.352	7/64	-
#8	11/32	0.387	1/8	-
#10	3/8	0.423	1/8	-
#12	7/16	0.493	5/32	-
1/4	7/16	0.493	7/32	-
5/16	1/2	0.567	17/64	-
3/8	9/16	0.639	21/64	-
7/16	11/16	0.781	3/8	-
1/2	3/4	0.853	7/16	9/16

Thread Size	A	B	C (Grade 2, 5, & 8)	C (Grade 9)
9/16	7/8	0.986	31/64	-
5/8	15/16	1.067	35/64	23/32
3/4	1 1/8	1.270	41/64	13/16
7/8	1 5/16	1.482	3/4	-
1	1 1/2	1.693	55/64	-
1 1/8	1 11/16	1.904	31/32	-
1 1/4	1 7/8	2.116	1 1/16	-
1 3/8	2 1/16	2.328	1 11/64	-
1 1/2	2 1/4	2.539	1 9/32	-
1 5/8	2 7/16	2.751	1 25/64	-
1 3/4	2 5/8	2.962	1 1/2	-
1 7/8	2 13/16	3.174	1 5/8	-
2	3	3.385	1 23/32	-

GRADE 2 • COARSE THREAD • ZINC PLATED • IMPORTED



Hex Nuts Grade A are manufactured to ASTM A563 specs. They are for use with any low carbon bolt or screw with a tensile strength of 74,000 psi or less.

Part #	Size	Shop Pack Quantity	Discount Pack Quantity	Bulk Quantity
FHN2001	#1-64	100	500	-
FHN2004	#4-40	100	500	5000
FHN2006	#6-32	100	500	20000
FHN2008	#8-32	100	500	15000
FHN2010	#10-24	100	500	13000
FHN2012	#12-24	100	500	8000
FHN204	1/4-20	100	1500	6000
FHN205	5/16-18	100	1000	4000
FHN206	3/8-16	100	700	3000

Part #	Size	Shop Pack Quantity	Discount Pack Quantity	Bulk Quantity
FHN207	7/16-14	50	400	1500
FHN208	1/2-13	50	300	1000
FHN209	9/16-12	25	125	800
FHN210	5/8-11	25	150	600
FHN212	3/4-10	25	100	400
FHN214	7/8-9	15	75	250
FHN216	1-8	10	50	150
FHN218	1 1/8-7	1	50	100
FHN220	1 1/4-7	1	40	80

HEX NUTS

GRADE 2 • FINE THREAD • ZINC PLATED • IMPORTED

Part #	Size	Shop Pack Quantity	Discount Pack Quantity	Bulk Quantity
FHN2F010	#10-32	100	500	13000

GRADE 2 • COARSE THREAD • PLAIN FINISH • IMPORTED

Part #	Size	Shop Pack Quantity	Bulk Quantity
FHN2P04	1/4-20	100	6000
FHN2P05	5/16-18	100	4000
FHN2P06	3/8-16	100	3000
FHN2P07	7/16-14	50	1500
FHN2P08	1/2-13	50	1000
FHN2P09	9/16-12	25	750

Part #	Size	Shop Pack Quantity	Bulk Quantity
FHN2P10	5/8-11	25	650
FHN2P12	3/4-10	25	400
FHN2P14	7/8-9	15	250
FHN2P16	1-8	10	150
FHN2P20	1 1/4-7	1	80

GRADE 2 • COARSE THREAD • HOT DIP GALVANIZED • IMPORTED

Part #	Size	Shop Pack Quantity	Bulk Quantity
FHNG04	1/4-20	100	6000
FHNG05	5/16-18	100	4000
FHNG06	3/8-16	100	3000
FHNG08	1/2-13	50	1200
FHNG10	5/8-11	25	600
FHNG12	3/4-10	25	400

Don't see the size you're looking for? Call us for availability!

GRADE 5 • COARSE THREAD • ZINC PLATED • IMPORTED OR MADE IN USA

Hex Nuts Grade 5 are manufactured to J995 Grade 5 specs. They are for use with any grade 5 bolt or any bolt with a tensile strength of 120,000 psi or less.

Part #	Size	Shop Pack Quantity	Discount Pack Quantity	Bulk Quantity
FHN504	1/4-20	100	1500	5000
FHN505	5/16-18	100	1000	3400
FHN506	3/8-16	100	700	1900
FHN507	7/16-14	50	400	1200
FHN508	1/2-13	50	300	900
FHN509	9/16-12	25	125	600
FHN510	5/8-11	25	150	500

Part #	Size	Shop Pack Quantity	Discount Pack Quantity	Bulk Quantity
FHN512	3/4-10	25	100	300
FHN514	7/8-9	15	75	180
FHN516	1-8	10	50	130
FHN518	1 1/8-7	1	55	110
FHN520	1 1/4-7	1	45	90
FHN524	1 1/2-6	1	28	55
FHN528	1 3/4-5	1	13	25

GRADE 5 • FINE THREAD • ZINC PLATED • IMPORTED OR MADE IN USA

Part #	Size	Shop Pack Quantity	Bulk Quantity
FHN5F08	1/2-20	50	900
FHN5F10	5/8-18	25	500
FHN5F12	3/4-16	25	300
FHN5F14	7/8-14	15	180
FHN5F16	1-14	10	130

Part #	Size	Shop Pack Quantity	Bulk Quantity
FHN5F18	1 1/8-12	1	110
FHN5F20	1 1/4-12	1	90

Please see our selection of grade 8 fine thread hex nuts for sizes not listed in grade 5.

HEX NUTS

GRADE 5 • COARSE THREAD • PLAIN FINISH • IMPORTED

Part #	Size	Shop Pack Quantity	Bulk Quantity
FHN5P10	5/8-11	25	450

Don't see the size you're looking for? Call us for availability!

GRADE 8 • COARSE THREAD • YELLOW ZINC PLATED • IMPORTED OR MADE IN USA

Hex Nuts Grade 8 are manufactured to J995 Grade 8 specs. They are for use with any grade 8 bolt or any bolt with a tensile strength of 150,000 psi or less.

Part #	Size	Shop Pack Quantity	Discount Pack Quantity	Bulk Quantity
FHN804	1/4-20	100	500	5000
FHN805	5/16-18	100	500	3400
FHN806	3/8-16	100	500	1900
FHN807	7/16-14	50	250	1200
FHN808	1/2-13	50	250	900
FHN809	9/16-12	25	125	600
FHN810	5/8-11	25	125	500
FHN812	3/4-10	25	125	300
FHN814	7/8-9	15	75	180

Part #	Size	Shop Pack Quantity	Discount Pack Quantity	Bulk Quantity
FHN816	1-8	10	50	130
FHN818	1 1/8-7	1	40	75
FHN820	1 1/4-7	1	25	50
FHN822	1 3/8-6	1	35	65
FHN824	1 1/2-6	1	30	55
FHN826	1 5/8-5 1/2	1	-	-
FHN828	1 3/4-5	1	15	25
FHN832	2-4 1/2	1	15	25

GRADE 8 • FINE THREAD • YELLOW ZINC PLATED • IMPORTED OR MADE IN USA

Part #	Size	Shop Pack Quantity	Bulk Quantity
FHN8F04	1/4-28	100	5000
FHN8F05	5/16-24	100	3400
FHN8F06	3/8-24	100	1900
FHN8F07	7/16-20	50	1200
FHN8F08	1/2-20	50	900
FHN8F09	9/16-18	25	600
FHN8F10	5/8-18	25	500
FHN8F12	3/4-16	25	300
FHN8F14	7/8-14	15	180

Part #	Size	Shop Pack Quantity	Bulk Quantity
FHN8F16	1-14	10	130
FHN8F18	1 1/8-12	1	75
FHN8F20	1 1/4-12	1	50
FHN8F22	1 3/8-12	1	70
FHN8F24	1 1/2-12	1	55
FHN8F28	1 3/4-12	1	24
FHN8F30	1 7/8-12	1	-
FHN8F32	2-12	1	25

THICK • GRADE 9 • COARSE THREAD • YELLOW ZINC PLATED • MADE IN USA



Hex Nuts Grade 9 are made as a thick hex nut. They are for use with any grade 9 bolt or any bolt with a tensile strength of 180,000 psi or less.

Part #	Size	Shop Pack Quantity	Bulk Quantity
FHN908	1/2-13	50	1250
FHN910	5/8-11	25	600
FHN912	3/4-10	25	325

HEX NUTS

18-8 STAINLESS STEEL • COARSE THREAD • IMPORTED

Part #	Size	Shop Pack Quantity	Bulk Quantity
FSSHNO06	6-32	100	20000
FSSHNO08	8-32	100	15000
FSSHNO10	10-24	100	13000
FSSHNO4	1/4-20	100	6000
FSSHNO5	5/16-18	100	4000
FSSHNO6	3/8-16	100	3000
FSSHNO7	7/16-14	50	1500
FSSHNO8	1/2-13	50	1000
FSSHNO9	9/16-12	25	800
FSSHNO10	5/8-11	25	600
FSSHNO12	3/4-10	25	400
FSSHNO14	7/8-9	15	250
FSSHNO16	1-8	10	150

18-8 STAINLESS STEEL • FINE THREAD • IMPORTED

Part #	Size	Shop Pack Quantity	Bulk Quantity
FSSHNF010	10-32	100	13000
FSSHNF04	1/4-28	100	6000
FSSHNF05	5/16-24	100	4000
FSSHNF06	3/8-24	100	3000
FSSHNF08	1/2-20	50	1000
FSSHNF09	9/16-18	25	800
FSSHNF10	5/8-18	25	600
FSSHNF12	3/4-16	25	400

ALUMINUM • COARSE THREAD • IMPORTED

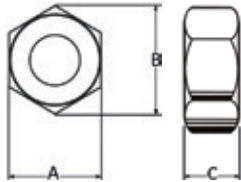
Part #	Size	Shop Pack Quantity
FAHN06	3/8-16	100

Don't see the size you're looking for? Call us for availability!

HEX JAM NUTS

TECHNICAL INFORMATION

Dimensions



Hex Jam Nuts are designed to "jam" against a regular hex nut to provide a locking action. They are also good for use anywhere where the thread space available for a nut is limited.

Thread Size	A	B	C
1/4	7/16	0.493	5/32
5/16	1/2	0.567	3/16
3/8	9/16	0.639	7/32
7/16	11/16	0.781	1/4
1/2	3/4	0.853	5/16
9/16	13/16	0.986	5/16
5/8	15/16	1.067	3/8

Thread Size	A	B	C
3/4	1 1/8	1.270	27/64
7/8	1 5/16	1.482	31/64
1	1 1/2	1.693	35/64
1 1/8	1 11/16	1.904	39/64
1 1/4	1 7/8	2.116	23/32
1 3/8	2 1/16	2.328	25/32
1 1/2	2 1/4	2.539	27/32

GRADE A • COARSE THREAD • ZINC PLATED • IMPORTED

Part #	Size	Shop Pack Quantity	Bulk Quantity
FJN04	1/4-20	100	9000
FJN05	5/16-18	100	6000
FJN06	3/8-16	100	4000
FJN07	7/16-14	50	2200
FJN08	1/2-13	50	1800
FJN09	9/16-12	25	1500
FJN10	5/8-11	25	800

Part #	Size	Shop Pack Quantity	Bulk Quantity
FJN12	3/4-10	25	600
FJN14	7/8-9	15	400
FJN16	1-8	10	250
FJN18	1 1/8-7	10	200
FJN20	1 1/4-7	10	125
FJN22	1 3/8-6	5	100

GRADE A • FINE THREAD • ZINC PLATED • IMPORTED

Part #	Size	Shop Pack Quantity	Bulk Quantity
FJNF04	1/4-28	100	9000
FJNF05	5/16-24	100	6000
FJNF06	3/8-24	100	4000
FJNF07	7/16-20	50	2200
FJNF08	1/2-20	50	1800
FJNF09	9/16-18	25	1000
FJNF10	5/8-18	25	800
FJNFP10	5/8-18 PLAIN FINISH	25	800

Part #	Size	Shop Pack Quantity	Bulk Quantity
FJNF5F10	5/8-18 GRADE 5	25	1000
FJNF12	3/4-16	25	600
FJNF14	7/8-14	15	400
FJNF16	1-14	10	250
FJNF18	1 1/8-12	10	200
FJNF20	1 1/4-12	10	125
FJNF24	1 1/2-12	5	75

Jam nuts coarse & fine thread in grade 5 & 8 are available in 2-3 days.

HEX JAM NUTS & HEAVY HEX NUTS

HEX JAM NUTS

18-8 STAINLESS STEEL • COARSE THREAD • IMPORTED

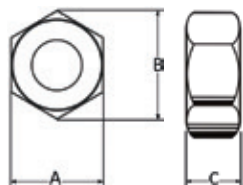
Part #	Size	Shop Pack Quantity	Bulk Quantity
FSSJN04	1/4-20	100	9000
FSSJN05	5/16-18	100	6000
FSSJN06	3/8-16	100	4000
FSSJN08	1/2-13	50	1800

18-8 STAINLESS STEEL • FINE THREAD • IMPORTED

Part #	Size	Shop Pack Quantity	Bulk Quantity
FSSJNF04	1/4-28	100	9000
FSSJNF05	5/16-24	100	6000
FSSJNF06	3/8-24	100	4000
FSSJNF07	7/16-20	50	2200
FSSJNF08	1/2-20	50	1800

HEAVY HEX NUTS

TECHNICAL INFORMATION



Rockwell Hardness

Grade	Hardness Rockwell
A	B68-C32
A563C	B78-C38
2H/DH/DH3	C24-C38

Dimensions

Thread Size	A	B	C
1/4	1/2	0.567	15/64
5/16	9/16	0.636	19/64
3/8	11/16	0.779	23/64
7/16	3/4	0.848	27/64
1/2	7/8	0.990	31/64
9/16	15/16	1.060	35/64
5/8	1 1/16	1.201	39/64
3/4	1 1/4	1.413	47/64
7/8	1 7/16	1.625	55/64
1	1 5/8	1.836	63/64
1 1/8	1 13/16	2.048	1 7/64
1 1/4	2	2.259	1 7/32
1 3/8	2 3/16	2.471	1 11/32
1 1/2	2 3/8	2.682	1 15/32

HEAVY HEX NUTS

GRADE A • COARSE THREAD • ZINC PLATED • IMPORTED



Heavy Hex Nuts A563 Grade A are stronger than a grade 2 hex nut with their thicker and wider dimensions. They are recommended for use with a low carbon heavy hex bolt or anywhere where extra strength is desired.

Part #	Size	Shop Pack Quantity	Bulk Quantity
FHHN04	1/4-20	100	4000
FHHN05	5/16-18	100	3000
FHHN06	3/8-16	100	1500
FHHN08	1/2-13	50	700
FHHN09	9/16-12	25	500

GRADE A • COARSE THREAD • PLAIN FINISH IMPORTED

Part #	Size	Shop Pack Quantity	Bulk Quantity
FHHNP06	3/8-16	100	1500
FHHNP07	7/16-14	50	1000
FHHNP08	1/2-13	50	800
FHHNP10	5/8-11	25	400
FHHNP12	3/4-10	25	250
FHHNP16	1-8	10	100

A563 GRADE C • COARSE THREAD • PLAIN FINISH • IMPORTED

Heavy Hex Nuts A563 Grade C are stronger than a grade 5 hex nut with their thicker and wider dimensions. They are recommended for use with an A325 structural bolt or anywhere where extra strength is desired.

*Grade 2H nuts. Grade 2H nuts can be used with A325 or A490 structural bolts.

Part #	Size	Shop Pack Quantity	Bulk Quantity
FHHSNA563C08	1/2-13	50	600
FHHSNA563C10	5/8-11	25	325
FHHSN2H10	5/8-11*	25	400
FHHSNA563C12	3/4-10	25	200
FHHSN2H14	7/8-9*	15	150
FHHSNA563C16	1-8	10	90

GRADE 2H OR DH • COARSE THREAD • HOT DIP GALVANIZED • IMPORTED

Heavy Hex Nuts A194 Grade 2H and A563 Grade DH are structural nuts for use with A325 hot dip galvanized structural bolts.

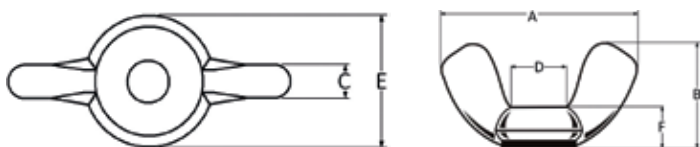
Don't see the size you're looking for? Call us for availability!

Part #	Size	Shop Pack Quantity	Bulk Quantity
FHHSN2HG08	1/2-13	50	700
FHHSN2HG10	5/8-11	25	400
FHHSN2HG12	3/4-10	25	250
FHHSNDHG16	1-8	10	100

COLD FORGED WING NUTS

TECHNICAL INFORMATION

Dimensions



Wing Nuts are designed for use where frequent assembly and disassembly is needed and the torque achieved by hand tightening is sufficient.

Thread Size	A		B		C	
	MAX	MIN	MAX	MIN	MAX	MIN
#6-32	0.72	0.59	0.41	0.28	0.22	0.07
#8-32	0.91	0.78	0.47	0.34	0.14	0.10
#10-24	0.91	0.78	0.47	0.34	0.14	0.10
1/4	1.10	0.97	0.57	0.43	0.18	0.14
5/16	1.25	1.12	0.66	0.53	0.21	0.17
3/8	1.44	1.31	0.79	0.65	0.24	0.20
7/16	1.94	1.81	1.00	0.87	0.33	0.26
1/2	1.94	1.81	1.00	0.87	0.33	0.26

Thread Size	D		E		F	
	MAX	MIN	MAX	MIN	MAX	MIN
#6-32	0.21	0.17	0.33	0.29	0.14	0.10
#8-32	0.27	0.22	0.43	0.39	0.18	0.14
#10-24	0.27	0.22	0.43	0.39	0.18	0.14
1/4	0.33	0.26	0.50	0.45	0.22	0.17
5/16	0.39	0.32	0.58	0.51	0.25	0.20
3/8	0.48	0.42	0.70	0.64	0.30	0.26
7/16	0.65	0.54	0.93	0.86	0.39	0.35
1/2	0.65	0.54	0.93	0.86	0.39	0.35

LOW CARBON • COARSE THREAD • ZINC PLATED • IMPORTED

Part #	Size	Shop Pack Quantity	Bulk Quantity
FWN006	6-32	100	10000
FWN008	8-32	100	5000
FWN010	10-24	100	5000
FWN04	1/4-20	100	2500
FWN05	5/16-18	100	1500
FWN06	3/8-16	100	1000
FWN07	7/16-14	50	400
FWN08	1/2-13	50	400

LOW CARBON • FINE THREAD • ZINC PLATED • IMPORTED

Part #	Size	Shop Pack Quantity	Bulk Quantity
FWNF010	10-32	100	5000
FWNF04	1/4-28	100	-
FWNF05	5/16-24	100	-

T-PRONGED NUTS & REGULAR SQUARE NUTS

T-PRONGED NUTS

COARSE THREAD • ZINC PLATED • IMPORTED



T-Pronged Nuts are used to fasten metal products to wood, particle board, and plastic. Size is measured as thread size by barrel length under the Flange.

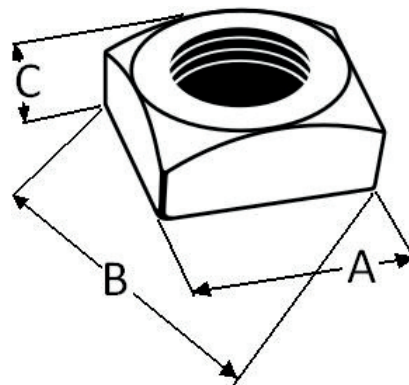
Part #	Size	# of Prongs	Flange Diameter	Shop Pack Quantity	Bulk Quantity
FTN006	6-32 X 1/4	3	1/2	100	-
FTN010	10-24 X 5/16	3	3/4	100	6000
FTN04	1/4-20 X 5/16	3	3/4	100	5000
FTN0474	1/4-20 X 7/16	4	3/4	100	4000

Part #	Size	# of Prongs	Flange Diameter	Shop Pack Quantity	Bulk Quantity
FTN0494	1/4-20 X 9/16	4	3/4	100	4000
FTN0506	5/16-18 X 3/8	3	7/8	100	3000
FTN05	5/16-18 X 5/8	3	7/8	100	2500
FTN06	3/8-16 X 7/16	4	1	100	1800

REGULAR SQUARE NUTS

Dimensions

Thread Size	A	B	C
1/4	7/16	0.587	7/32
5/16	9/16	0.758	17/64
3/8	5/8	0.843	21/64
7/16	3/4	1.016	3/8
1/2	13/16	1.101	7/16
5/8	1	1.357	35/64
3/4	1 1/8	1.528	21/32
1	1 1/2	2.041	7/8



GRADE 2 • COARSE THREAD • ZINC PLATED • IMPORTED

Part #	Size	Shop Pack Quantity	Bulk Quantity
FSQN04	1/4-20	100	6,000
FSQN05	5/16-18	100	3,000
FSQN06	3/8-16	100	1,500
FSQN08	1/2-13	50	750

Square Nuts are used to give an "old fashioned" look and in some cases where there is a square hole designed to hold a square nut.

Square Nuts are also available in Grade 5 and Grade 8 in 2-3 days.

GRADE 2 • COARSE THREAD • PLAIN FINISH • IMPORTED

Part #	Size	Shop Pack Quantity	Bulk Quantity
FSQNP04	1/4-20	100	5000
FSQNP05	5/16-18	100	2500
FSQNP06	3/8-16	100	1500
FSQNP07	7/16-14	50	1000

Part #	Size	Shop Pack Quantity	Bulk Quantity
FSQNP08	1/2-13	50	750
FSQNP10	5/8-11	25	400
FSQNP12	3/4-10	25	250
FSQNP16	1-8	10	125

COUPLING NUTS & ACORN CAP NUTS

COUPLING NUTS

GRADE A • COARSE THREAD • ZINC PLATED • IMPORTED



Coupling Nuts are used to join together two threaded parts, often threaded rod. Size is given here as thread size by width across the flats by over all length.

Part #	Size	Price Break	Bulk Quantity
FCN01012	10-24 X 5/16 X 3/4	100	3500
FCN0414	1/4-20 X 3/8 X 7/8	100	2500
FCN0428	1/4-20 X 7/16 X 1 3/4	100	700
FCN0518	5/16-18 X 1/2 X 1 1/8	100	500
FCN0528	5/16-18 X 1/2 X 1 3/4	100	600
FCN0618	3/8-16 X 5/8 X 1 1/8	100	500
FCN0628	3/8-16 X 9/16 X 1 3/4	100	500

Part #	Size	Price Break	Bulk Quantity
FCN0728	7/16-14 X 5/8 X 1 3/4	100	450
FCN0828	1/2-13 X 11/16 X 1 3/4	100	400
FCN1034	5/8-11 X 13/16 X 2 1/8	100	125
FCN1236	3/4-10 X 1 X 2 1/4	-	100
FCN1440	7/8-9 X 1 1/4 X 2 1/2	-	75
FCN1644	1-8 X 1 3/8 X 2 3/4	-	50
FCN2048	1 1/4-7 X 1 5/8 X 3	-	20
FCN2464	1 1/2-6 X 2 X 4	-	20

GRADE A • FINE THREAD • ZINC PLATED • IMPORTED

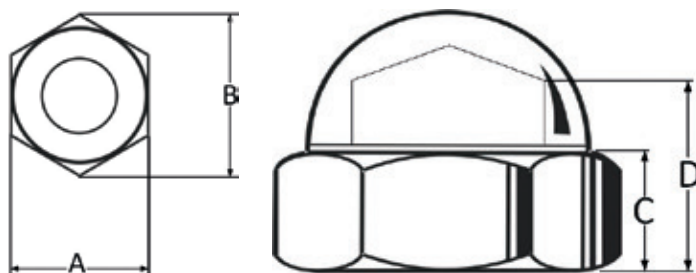
Part #	Size	Package Quantity
FCNF0407	1/4-28 X 3/8 X 7/8	50
FCNF0507	5/16-24 X 7/16 X 7/8	50
FCNF0609	3/8-24 X 1/2 X 1 1/8	50
FCNF0810	1/2-20 X 5/8 X 1 1/4	50
FCNF1017	5/8-18 X 13/16 X 2 1/8	20
FCNF1218	3/4-16 X 1 X 2 1/4	20

ACORN CAP NUTS

TECHNICAL INFORMATION

Dimensions

Thread Size	A	B	C	D
#8	5/16	0.533	7/64	7/32
#10	3/8	0.640	1/8	5/16
1/4	7/16	0.746	3/16	23/64
5/16	9/16	0.961	7/32	27/64
3/8	5/8	1.068	1/4	29/64
7/16	11/16	1.150	5/16	9/16
1/2	3/4	1.286	-	1/2
5/8	15/16	1.602	-	5/8



ACORN CAP NUTS & HEX SLOTTED NUTS

ACORN CAP NUTS *CONTINUED FROM PREVIOUS PAGE

LOW CARBON • COARSE THREAD • NICKEL PLATED • IMPORTED

Part #	Size	Shop Pack Quantity	Bulk Quantity
FCN2P006	6-32	100	8000
FCN2P008	8-32	100	8000
FCN2P010	10-24	100	5000
FCN2P04	1/4-20	100	3750
FCN2P05	5/16-18	100	1800
FCN2P06	3/8-16	100	1250
FCN2P07	7/16-14	50	500
FCN2P08	1/2-13	50	500
FCN2P10	5/8-11	25	500

18-8 STAINLESS STEEL • COARSE THREAD • IMPORTED

Part #	Size	Shop Pack Quantity	Bulk Quantity
FSSAN04	1/4-20	100	3750
FSSAN05	5/16-18	100	1800
FSSAN06	3/8-16	100	1250
FSSAN08	1/2-13	50	600

*Plain Finish.

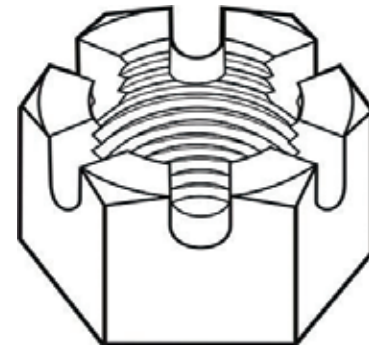
Don't see the size you're looking for? Call us for availability!

Acorn Nuts or Cap Nuts are used to cover projecting thread and for decorative purposes.

HEX SLOTTED NUTS

COARSE THREAD • PLAIN FINISH • IMPORTED

Part #	Size	WIDTH OF SLOT		Price Break	Bulk Quantity
		Max	Min		
FSN05	5/16-18	0.12	0.09	100	2000
FSN06	3/8-16	0.15	0.12	100	1500
FSN07	7/16-14	0.15	0.12	100	1000
FSN08	1/2-13	0.18	0.15	100	650
FSN10	5/8-11	0.24	0.18	100	350
FSN12	3/4-10	0.24	0.18	100	200
FSN14	7/8-9	0.24	0.18	100	125
FSN16	1-8	0.30	0.24	-	100
FSN18	1 1/8-7	0.33	0.24	-	60
FSN20	1 1/4-7	0.40	0.31	-	50



Slotted Nuts are made of low carbon steel. Their dimensions are equal to a finished hex nut.

FINE THREAD • PLAIN FINISH • IMPORTED

Part #	Size	WIDTH OF SLOT		Price Break	Bulk Quantity
		Max	Min		
FSNF07	7/16-20	0.15	0.12	100	1000
FSNF08	1/2-20	0.18	0.15	100	650
FSNF09	9/16-18	0.18	0.15	100	-
FSNF10	5/8-18	0.24	0.18	100	350
FSNF12	3/4-16	0.24	0.18	100	200
FSNF14	7/8-14	0.24	0.18	100	125
FSNF16	1-14	0.30	0.24	-	100
FSNF18	1 1/8-12	0.33	0.24	-	60
FSNF20	1 1/4-12	0.40	0.31	-	50

HEX SLOTTED JAM NUTS & HEX CASTLE NUTS

HEX SLOTTED JAM NUTS

FINE THREAD • PLAIN FINISH • IMPORTED

Hex Slotted Jam Nuts are a thinner version of hex slotted nuts. Their dimensions are equal to hex jam nuts.

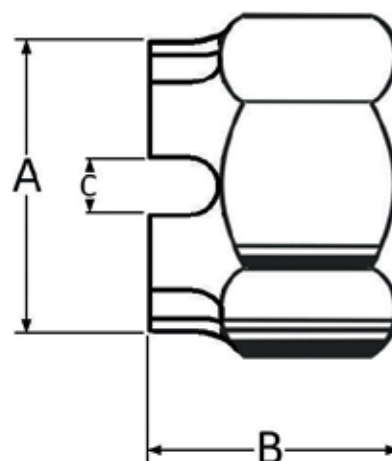
Part #	Size	WIDTH OF SLOT		Price Break	Bulk Quantity
		Max	Min		
FSJNF12	3/4-16	0.24	0.18	100	900

HEX CASTLE NUTS

TECHNICAL INFORMATION

Dimensions

Thread Size	A		B		C	
	Min	Basic	Max	Min	Max	Min
1/4	0.371	9/32	0.10	0.07		
5/16	0.425	21/64	0.12	0.09		
3/8	0.478	13/32	0.15	0.12		
7/16	0.582	29/64	0.15	0.12		
1/2	0.637	9/16	0.18	0.15		
9/16	0.744	39/64	0.18	0.15		
5/8	0.797	23/32	0.24	0.18		
3/4	0.941	13/16	0.24	0.18		
7/8	1.097	29/32	0.24	0.18		
1	1.254	1	0.30	0.24		
1 1/2	2.161	1 1/2	0.46	0.37		



FINE THREAD • PLAIN FINISH • IMPORTED

Castle Nuts are basically the same as the slotted nuts. The difference is the thickness of the nut and the cylinder shape of the slotted part.

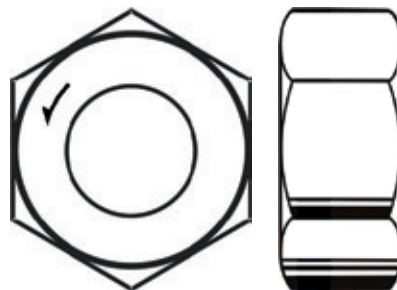
Part #	Size	Price Break	Bulk Quantity
FCANF04	1/4-28	100	-
FCANF05	5/16-24	100	-
FCANF06	3/8-24	100	-
FCANF07	7/16-20	100	-
FCANF08	1/2-20	100	600
FCANF09	9/16-18	100	-
FCANF10	5/8-18	100	375
FCANF12	3/4-16	100	-
FCANF14	7/8-14	100	-
FCANF16	1-14	100	125
FCANF24	1 1/2-12	100	-

LEFT HAND HEX NUTS & LEFT HAND HEX JAM NUTS

LEFT HAND HEX NUTS

COARSE THREAD • IMPORTED

Part #	Size	Grade	Package Quantity
FHN2LH06	3/8-16	2	100
FHN5LHP06	3/8-16	5	100
FHN2LH08	1/2-13	2	50
FHN8LH08	1/2-13	8	50
FHN2LH10	5/8-11	2	25
FHN5LH12	3/4-10	5	25
FHN5LH14	7/8-9	5	15
FHN5LH16	1-8	5	10
FHN5LH20	1 1/4-7	5	1
FHN8LH20	1 1/4-7	8	1



Left Hand Hex Nuts are tightened by turning them to the left instead of to the right. Their dimensions are equal to finished hex nuts.

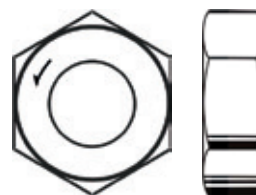
FINE THREAD • IMPORTED

Part #	Size	Grade	Package Quantity
FHN2LHF08	1/2-20	2	50
FHN2LHF10	5/8-18	2	25
FHN5LHF12	3/4-16	5	25
FHN5LHF14	7/8-14	5	15
FHN5LHF16	1-14	5	10
FHN5LHF20	1 1/4-12	5	1

LEFT HAND HEX JAM NUTS

GRADE 5 • FINE THREAD • ZINC PLATED • IMPORTED

Part #	Size	Package Quantity
FJN5LHF05	5/16-24	100
FJN5LHF07	7/16-20*	50
FJN5LHF08	1/2-20	50
FJN5LHF10	5/8-18	25
FJN5LHF12	3/4-16	25



Left Hand Hex Jam Nuts are tightened by turning them to the left instead of to the right. Their dimensions are equal to hex jam nuts.

*Plain finish

SELF CLINCHING NUTS & HIGH HEX NUTS

SELF CLINCHING NUTS TECHNICAL INFORMATION

Dimensions

Thread Size	A Min Sheet Thickness	C Hole Size in Sheet	E +/-0.01	T +/-0.01
1/4-20-1	0.056	0.344	0.440	0.170
1/4-20-2	0.091	0.344	0.440	0.170
3/8-16-2	0.125	0.500	0.560	0.270
1/2-13-1	0.125	0.656	0.810	0.360

CASE HARDENED • COARSE THREAD • ZINC PLATED • MADE IN USA

Part #	Size	Package Quantity	Bulk Quantity
FSCN041	1/4-20-1	100	5000
FSCN04	1/4-20-2	100	5000
FSCN06	3/8-16-2	100	2000
FSCN08	1/2-13-1	50	1000

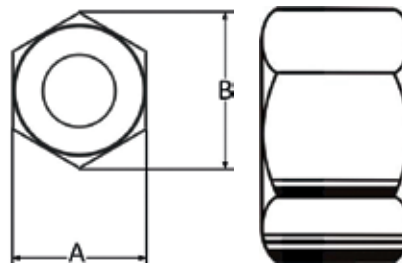
Self Clinching Nuts provide a quick economical way to add load bearing threads in thin sheet metal.

Lead time is 1-2 days on self clinching fasteners.

HIGH HEX NUTS TECHNICAL INFORMATION

Dimensions

Thread Size	A	B	Thickness
1/2	3/4	.853	21/32
5/8	15/16	1.067	27/32
3/4	1 1/8	1.270	1
7/8	1 1/4	1.410	1 5/32
1	1 7/16	1.622	1 5/16



GRADE 8 • FINE THREAD • PLAIN FINISH • IMPORTED

Part #	Size	Package Quantity
FHIHNF08	1/2-20	50
FHIHNF10	5/8-18	25
FHIHNF12	3/4-16	25
FHIHNF14	7/8-14	15
FHIHNF16	1-14	10

High Hex Nuts provide more thread engagement than a finished hex nut and are used where additional wrenching area is needed.

TUBE CONNECTORS & ACME HEAVY HEX NUTS

TUBE CONNECTORS

SPRING STEEL • RUST INHIBITED • MADE IN USA

Part #	Size	Wall Thickness	Package Quantity
FTC14R4	1/4-20 X 7/8	16-18 GA.	100

Tube connectors are available in many more thread and tube sizes in 3-4 days.



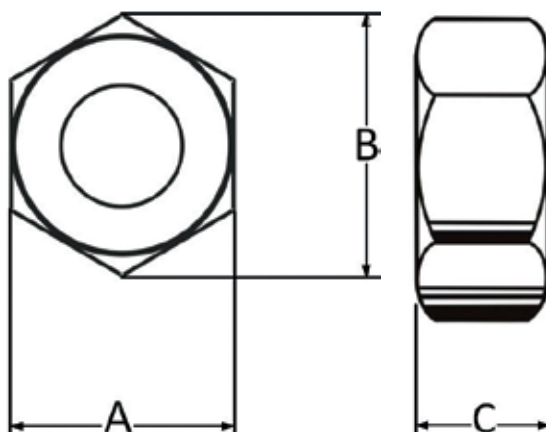
Tube Connectors provide an excellent way to fasten tubing to just about anything. Size is given as internal thread by tube size.

ACME HEAVY HEX NUTS

TECHNICAL INFORMATION

Dimensions

Thread Size	A	C
1/2	7/8	31/64
5/8	1 1/16	39/64
3/4	1 1/4	47/64
7/8	1 7/16	55/64
1	1 5/8	63/64
1 1/4	2	1 7/32
1 1/2	2 3/8	1 15/32



LOW CARBON STEEL • PLAIN FINISH • MADE IN USA

ACME Nuts have thread that is broader, stronger, and more square than standard threads. It is excellent for use in frequent assembly and disassembly, dirty environments, and in adjusting and leveling assemblies.

RIGHT HAND THREADS

Part #	Size
EQ413-0810	1/2-10
EQ413-1008	5/8-8
EQ413-1206	3/4-6
EQ413-1406	7/8-6
EQ413-1604	1-4
EQ413-1605	1-5
EQ413-2005	1 1/4-5
EQ413-2404	1 1/2-4

LEFT HAND THREADS

Part #	Size
EQ414-1206	3/4-6
EQ414-1406	7/8-6
EQ414-1605	1-5
EQ414-2005	1 1/4-5

We have many other sizes of ACME Nuts available!
Please call for price and availability.

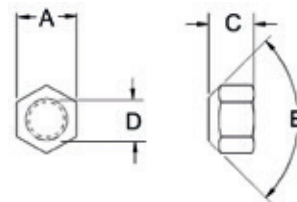
WHEEL NUTS, SPRING NUTS & NYLON INSERT LOCK NUTS

WHEEL NUTS

FINE THREAD • ZINC PLATED • IMPORTED

Dimensions

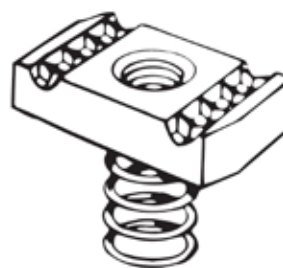
Size	A Hex Size	B Taper	C Height
7/16-20	3/4	60°	9/16
1/2-20	13/16	90°	5/8
1/2-20	13/16	60°	5/8
9/16-18	1 1/16	90°	21/32



Part #	Size	Package Qty	Bulk Qty
FWHNF07	7/16-20	25	-
EQ550-0820	1/2-20	25	-
FWHNF08	1/2-20	50	500
FWHNF09	9/16-18	10	-

SPRING NUTS

Part #	Size	Spring Length	Thickness
FSPN04	1/4-20	REGULAR	1/4
FSPN05	5/16-18	REGULAR	3/8
FSPN06	3/8-16	REGULAR	3/8
FSPN08	1/2-13	REGULAR	1/2
FSPNS05	5/16-18	SHORT	3/8

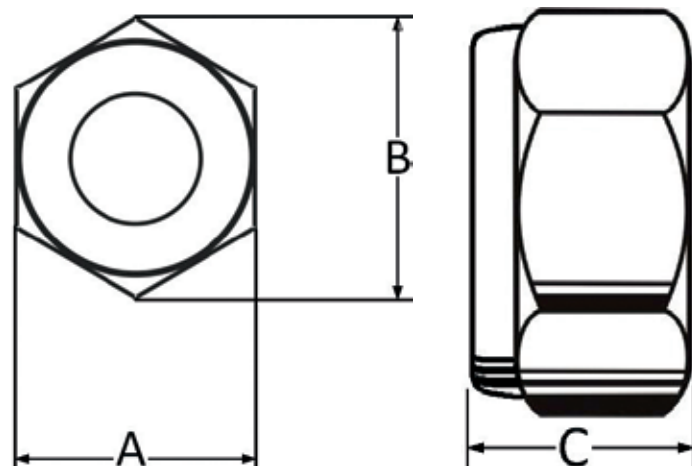


NYLON INSERT LOCK NUTS

TECHNICAL INFORMATION

Rockwell Hardness

Grade	Core Hardness Rockwell
A	C28 MAX
C	C26-C34



Dimensions

Thread Size	A	B	Thickness	Thickness Jam Nylocks
#3	1/4	0.268	0.143	-
#4	1/4	0.268	0.143	0.109
#5	1/4	0.268	0.143	-
#6	5/16	0.339	0.178	0.125
#8	11/32	0.374	0.229	0.187
#10	3/8	0.410	0.239	0.187
#12	7/16	0.482	0.313	0.200
1/4	7/16	0.482	0.313	0.200
5/16	1/2	0.552	0.344	0.250
3/8	9/16	0.622	0.453	0.270
7/16	5/8	0.698	0.453	0.310
1/2	3/4	0.837	0.594	0.310
9/16	7/8	0.978	0.641	0.360
5/8	15/16	1.051	0.750	0.390
3/4	1 1/16	1.191	0.875	0.410
7/8	1 1/4	1.403	0.984	0.470
1	1 7/16	1.615	1.042	0.550
1 1/8	1 5/8	1.830	1.170	0.640
1 1/4	1 13/16	2.040	1.390	0.730
1 1/2	2 3/16	2.420	1.610	0.800

NYLON INSERT LOCK NUTS

GRADE A • COARSE THREAD • ZINC PLATED • IMPORTED

Part #	Size	Shop Pack Quantity	Discount Pack Quantity	Bulk Quantity
FLNN003	#3-48	100	500	5000
FLNN004	#4-40	100	500	5000
FLNN006	#6-32	100	500	5000
FLNN008	#8-32	100	500	5000
FLNN010	#10-24	100	500	5000
FLNN012	#12-24	100	500	5000
FLNN04	1/4-20	100	500	3500
FLNN05	5/16-18	100	500	3000
FLNN06	3/8-16	100	500	2500
FLNN07	7/16-14	50	250	2000
FLNN08	1/2-13	50	250	1000
FLNN09	9/16-12	25	125	800
FLNN10	5/8-11	25	125	500
FLNN12	3/4-10	25	125	400
FLNN14	7/8-9	15	75	250
FLNN16	1-8	10	50	175



Nylon Insert Lock Nuts Grade A are designed with a nylon collar which provides the locking action. They can be reused oftener than any other style of common lock nut. They are to be used with similar material and grade screws and bolts.

GRADE A • FINE THREAD • ZINC PLATED • IMPORTED

Part #	Size	Shop Pack Quantity	Bulk Quantity
FLNNF010	#10-32	100	5000
FLNNF04	1/4-28	100	3500
FLNNF05	5/16-24	100	3000
FLNNF06	3/8-24	100	2500
FLNNF07	7/16-20	50	2000
FLNNF08	1/2-20	50	1000
FLNNF09	9/16-18	25	800
FLNNF10	5/8-18	25	500
FLNNF12	3/4-16	25	400
FLNNF14	7/8-14	15	250
FLNNF16	1-14	10	175

COARSE THREAD • BLACK • IMPORTED

Part #	Size	Grade	Finish	Shop Pack Quantity	Bulk Quantity
FLNNCB05	5/16-18	C	PHOSPHATE	100	3000
FLNNB07	7/16-14	A	OXIDE	50	600

NYLON INSERT LOCK NUTS

GRADE C • COARSE THREAD • YELLOW ZINC PLATED • IMPORTED

Nylon Insert Lock Nuts Grade C are same in design and purpose as the grade A but are designed to use with bolts up to grade 8.

Part #	Size	Shop Pack Quantity	Bulk Quantity
FLNNC04	1/4-20	100	3500
FLNNC05	5/16-18	100	3000
FLNNC06	3/8-16	100	2500
FLNNC07	7/16-14	50	2000
FLNNC08	1/2-13	50	1000
FLNNC10	5/8-11	25	500
FLNNC12	3/4-10	25	400
FLNNC16	1-8	10	175

GRADE C • FINE THREAD • YELLOW ZINC PLATED • IMPORTED

Part #	Size	Shop Pack Quantity	Bulk Quantity
FLNNCF10	5/8-18	25	500
FLNNCF12	3/4-16	25	400
FLNNCF16	1-14	10	175
FLNNCF20	1 1/4-12*	1	100

*Plain Finish

18-8 STAINLESS STEEL • COARSE THREAD • IMPORTED

Part #	Size	Shop Pack Quantity	Bulk Quantity
FSSLNN006	6-32	100	5000
FSSLNN008	8-32	100	5000
FSSLNN010	10-24	100	5000
FSSLNN04	1/4-20	100	3500
FSSLNN05	5/16-18	100	3000
FSSLNN06	3/8-16	100	2500
FSSLNN07	7/16-14	50	2000
FSSLNN08	1/2-13	50	1000
FSSLNN10	5/8-11	25	500
FSSLNN12	3/4-10	25	400

18-8 STAINLESS STEEL • FINE THREAD • IMPORTED

Part #	Size	Shop Pack Quantity	Bulk Quantity
FSSLNNF010	10-32	100	5000
FSSLNNF04	1/4-28	100	3500
FSSLNNF05	5/16-24	100	3000
FSSLNNF06	3/8-24	100	2500
FSSLNNF08	1/2-20	50	1000

NYLON INSERT LOCK NUTS & JAM NYLON INSERT LOCK NUTS

NYLON INSERT LOCK NUTS *CONTINUED FROM PREVIOUS PAGE

18-8 STAINLESS STEEL • WAXED • COARSE THREAD • IMPORTED

Part #	Size	Package Quantity	Bulk Quantity
FSSLNNW010	10-24	100	5000
FSSLNNW04	1/4-20	100	3500
FSSLNNW05	5/16-18	100	3000
FSSLNNW06	3/8-16	100	2500
FSSLNNW07	7/16-14	50	2000
FSSLNNW08	1/2-13	50	1000
FSSLNNW10	5/8-11	25	500

GALLING: Thread galling or cold welding is a problem often seen in stainless steel, especially when using a lock nut. It occurs during installation when pressure or friction causes the bolt threads to seize to the threads of a nut.

PREVENTION: Slow down installation speed since heat is a factor in galling. Lubricate with an anti-seize or WD-40 or use waxed nylon insert lock nuts. Avoid dirty or damaged threads. If you feel a fastener beginning to bind, stop. Wait a few minutes to let heat dissipate then try backing the nut off.

JAM NYLON INSERT LOCK NUTS

GRADE A • COARSE THREAD • ZINC PLATED • IMPORTED

Part #	Size	Shop Pack Quantity	Bulk Quantity
FJLNN008	8-32	100	5000
FJLNN04	1/4-20	100	3500
FJLNN05	5/16-18	100	3000
FJLNN06	3/8-16	100	2500
FJLNN07	7/16-14	50	2000
FJLNN08	1/2-13	50	1000
FJLNN10	5/8-11	25	500
FJLNN12	3/4-10	25	400
FJLNN14	7/8-9	15	250
FJLNN16	1-8	10	175
FJLNN20	1 1/4-7	1	150
FJLNN24	1 1/2-6	1	90



Jam Nylon Insert Lock Nuts Grade A are same in purpose as a standard pattern nylock but are for use where there are not enough threads projecting to use the standard nylock.

GRADE A • FINE THREAD • ZINC PLATED • IMPORTED

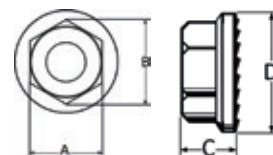
Part #	Size	Shop Pack Quantity	Bulk Quantity
FJLNNF010	10-32	100	5000
FJLNNF04	1/4-28	100	3500
FJLNNF05	5/16-24	100	3000
FJLNNF06	3/8-24	100	2500
FJLNNF07	7/16-20	50	2000
FJLNNF08	1/2-20	50	1000
FJLNNF10	5/8-18	25	500
FJLNNF12	3/4-16	25	400
FJLNNF14	7/8-14	15	250
FJLNNF16	1-14	10	175
FJLNNF24	1 1/2-12	1	90

Don't see the size you're looking for? Call us for availability!

SERRATED FLANGE NUTS

TECHNICAL INFORMATION

Dimensions



Thread Size	A	B	Standard	Standard	Large Flange	Large Flange
			C	D	C	D
#8	11/32	0.387	0.195	15/32	-	-
#10	3/8	0.423	0.211	1/2	-	-
1/4	7/16	0.493	0.229	19/32	0.297	11/16
5/16	1/2	0.567	0.276	11/16	0.359	13/16
3/8	9/16	0.639	0.339	3/4	0.398	29/32
7/16	11/16	0.781	0.385	15/16	-	-
1/2	3/4	0.853	0.448	1 1/32	-	-
5/8	15/16	1.067	0.557	1 9/32	-	-
3/4	1 1/8	1.270	0.651	1 1/2	-	-

CASE HARDENED • COARSE THREAD • ZINC PLATED • IMPORTED

Serrated Flange Nuts are a easy way to put a washer and nut on in one step. The serrations on the Flange also "bite" into the material they are tightened against to make it more difficult for them to be loosened.

Part #	Size	Shop Pack Quantity	Bulk Quantity
FFNS008	8-32	100	5000
FFNS04	1/4-20	100	3500
FFNS05	5/16-18	100	3000
FFNS06	3/8-16	100	2000
FFNS07	7/16-14	50	1200
FFNS08	1/2-13	50	800
FFNS10	5/8-11	25	500
FFNS12	3/4-10	25	250

CASE HARDENED • FINE THREAD • ZINC PLATED • IMPORTED

Part #	Size	Shop Pack Quantity	Bulk Quantity
FFNSF010	10-32	100	5000
FFNSF05	5/16-24	100	3000
FFNSF06	3/8-24	100	2000

18-8 STAINLESS STEEL • COARSE THREAD • IMPORTED

Part #	Size	Shop Pack Quantity	Bulk Quantity
FSSFNS010	10-24	100	10000
FSSFNSF010	10-32*	100	10000
FSSFNS04	1/4-20	100	3500
FSSFNS05	5/16-18	100	3000
FSSFNS06	3/8-16	100	2000

*Fine Thread

LARGE FLANGE • CASE HARDENED • COARSE THREAD • ZINC PLATED • IMPORTED

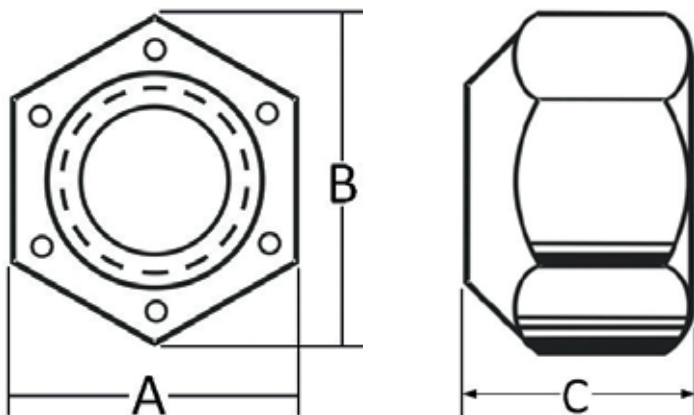
Part #	Size	Shop Pack Quantity	Bulk Quantity
FFNL04	1/4-20	100	3500
FFNL05	5/16-18	100	3000

ALL METAL TOP LOCK NUTS

TECHNICAL INFORMATION

Dimensions

Thread Size	A	B	C
1/4	7/16	0.493	7/32
5/16	1/2	0.567	17/64
3/8	9/16	0.639	21/64
7/16	11/16	0.781	3/8
1/2	3/4	0.853	7/16
9/16	7/8	0.986	31/64
5/8	15/16	1.067	35/64
3/4	1 1/8	1.270	41/64
7/8	1 5/16	1.482	3/4
1	1 1/2	1.693	55/64
1 1/8	1 11/16	1.904	31/32
1 1/4	1 7/8	2.116	1 1/16
1 1/2	2 1/4	2.539	1 9/32
1 3/4	2 5/8	2.962	1 1/2



GRADE C • COARSE THREAD • ZINC & WAX • IMPORTED

All Metal Top Lock Nuts Grade C are the toughest type of common lock nut. They can withstand hotter temperatures than a nylock. They are best used with a grade 5 or 8 bolt.

Part #	Size	Shop Pack Quantity	Bulk Quantity
FLNC04	1/4-20	100	4000
FLNC05	5/16-18	100	2500
FLNC06	3/8-16	100	2000
FLNC07	7/16-14	50	1000
FLNC08	1/2-13	50	750
FLNC09	9/16-12	25	500
FLNC10	5/8-11	25	400

Part #	Size	Shop Pack Quantity	Bulk Quantity
FLNC12	3/4-10	25	250
FLNC14	7/8-9	15	150
FLNC16	1-8	10	100
FLNC18	1 1/8-7	1	130
FLNC20	1 1/4-7	1	100
FLNC24	1 1/2-6	1	50
FLNC28	1 3/4-5	1	35

GRADE C • FINE THREAD • ZINC & WAX • IMPORTED

Part #	Size	Shop Pack Quantity	Bulk Quantity
FLNCF04	1/4-28	100	4000
FLNCF05	5/16-24	100	2500
FLNCF06	3/8-24	100	2000
FLNCF07	7/16-20	50	1000
FLNCF08	1/2-20	50	750
FLNCF09	9/16-18	25	500
FLNCF10	5/8-18	25	400

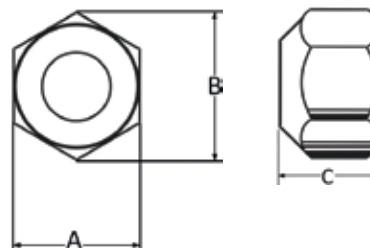
Part #	Size	Shop Pack Quantity	Bulk Quantity
FLNCF12	3/4-16	25	250
FLNCF14	7/8-14	15	150
FLNCF16	1-14	10	100
FLNCF18	1 1/8-12	1	130
FLNCF20	1 1/4-12	1	100
FLNCF24	1 1/2-12	1	50

ALL METAL TOP LOCK NUTS & TWO-WAY REVERSIBLE LOCK NUTS

COLLAR STYLE • GRADE 9 • COARSE THREAD • CADMIUM YELLOW & WAX • MADE IN USA

Dimensions

Thread Size	A	B	C
3/8	9/16	0.639	13/32
1/2	3/4	0.853	1/2
5/8	15/16	1.067	21/32
3/4	1 1/8	1.270	13/16



All Metal Top Lock Nuts Grade 9 are very similar to the grade c but slightly thicker. They were specifically designed for use with grade 9 hex cap screws.

Part #	Size	Shop Pack Quantity	Bulk Quantity
FLN9F06	3/8-24*†	100	2800
FLN908	1/2-13	50	1100
FLN910	5/8-11	25	600
FLN912	3/4-10†	25	400

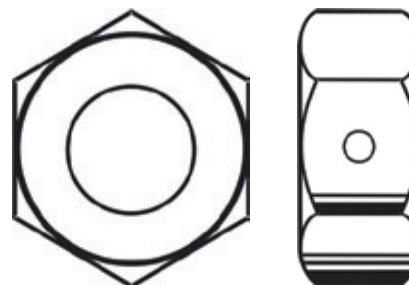
* Fine Thread † Cone Style

Don't see the size you're looking for? Call us for availability!

TWO-WAY REVERSIBLE LOCK NUTS

GRADE A • COARSE THREAD • ZINC PLATED • IMPORTED

Part #	Size	Shop Pack Quantity	Bulk Quantity
FLNR04	1/4-20	100	3500
FLNR05	5/16-18	100	3000
FLNR06	3/8-16	100	2000
FLNR07	7/16-14	50	1200
FLNR08	1/2-13	50	800
FLNR09	9/16-12	25	500
FLNR10	5/8-11	25	500
FLNR12	3/4-10	25	250
FLNR14	7/8-9	15	200
FLNR16	1-8	10	150



Two-Way Reversible Lock Nuts have the same dimensions as finished hex nuts. They can be turned onto a bolt from either side of the nut and they are all metal so they can withstand higher temperatures than a nylock. An additional advantage they have is they lock before being fully threaded onto a bolt.

GRADE A • FINE THREAD • ZINC PLATED • IMPORTED

Part #	Size	Shop Pack Quantity	Bulk Quantity
FLNRF04	1/4-28	100	3500
FLNRF05	5/16-24	100	3000
FLNRF07	7/16-20	50	1200

18-8 STAINLESS STEEL • COARSE THREAD • IMPORTED

Part #	Size	Shop Pack Quantity	Bulk Quantity
FSSLNR04	1/4-20	100	3500
FSSLNR05	5/16-18	100	3000
FSSLNR06	3/8-16	100	2000

KEPS NUTS & FLANGE LOCK NUTS (FRAME NUTS)

KEPS NUTS

GRADE A • COARSE THREAD • ZINC PLATED • IMPORTED

Part #	Size	Washer OD	Shop Pack Quantity	Bulk Quantity
FKN006	#6-32	0.328	100	5000
FKN008	#8-32	0.375	100	5000
FKN010	#10-24	0.400	100	5000
FKNF010	#10-32*	0.400	100	5000
FKN04	1/4-20	0.500	100	3500
FKN05	5/16-18	0.567	100	3000



Keps Nuts have their own lock washer preassembled which allows for a quicker and easier assembly. Wrench size is the same as a finished hex nut.

*Fine Thread

18-8 STAINLESS STEEL • COARSE THREAD • IMPORTED

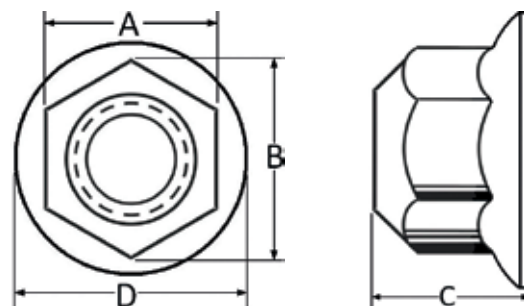
Part #	Size	Washer OD	Shop Pack Quantity	Bulk Quantity
FSSKN010	10-24	0.400	100	5000
FSSKN04	1/4-20	0.500	100	3500

FLANGE LOCK NUTS (FRAME NUTS)

TECHNICAL INFORMATION

Dimensions

Thread Size	A	B	C	D
5/16	1/2	0.567	0.343	11/16
3/8	9/16	0.639	0.415	13/16
7/16	11/16	0.781	0.466	15/16
1/2	3/4	0.853	0.542	1 1/32
5/8	15/16	1.067	0.668	1 21/64
3/4	1 1/8	1.270	0.775	1 9/16
7/8	1 5/16	1.482	0.766	1 23/32



GRADE G • COARSE THREAD • PHOSPHATE & OIL FINISH • IMPORTED

Flange Lock Nuts Grade G are similar to all metal top lock nuts grade c with the addition of a Flange on the bottom side of the nut. They were specifically designed to be used with grade 8 Flange bolts.

Part #	Size	Shop Pack Quantity	Bulk Quantity
FFLN25	5/16-18	100	3000
FFLN3	3/8-16	100	2000
FFLN35	7/16-14	50	1200
FFLN4	1/2-13	50	1000
FFLN5	5/8-11	25	500
FFLN6	3/4-10	25	250

GRADE G • FINE THREAD • PHOSPHATE & OIL FINISH • IMPORTED

Part #	Size	Shop Pack Quantity	Bulk Quantity
FFLN4	1/2-20	50	1000
FFLN5	5/8-18	25	500
FFLN6	3/4-16	25	250
FFLN7	7/8-14	15	180

FLEX TYPE LOCK NUTS

COARSE THREAD • CADMIUM & WAXED • MADE IN USA OR IMPORTED

Part #	Size	Thickness	Shop Pack Quantity	Bulk Quantity
FLNF04	1/4-20*	0.290	100	500
FLNF05	5/16-18*	0.353	100	500
FLNF06	3/8-16	0.462	100	250
FLNF08	1/2-13*	0.602	50	100

* Available in 1-2 days.

Don't see the size you're looking for? Call us for availability!



Flex Type Lock Nuts are a superior lock nut that does not gall threads. They also maintain their locking strength through 15 removals and reapplications and have superior vibration resistance. Wrench size is equal to finished hex nuts.

USS FLAT WASHERS

TECHNICAL INFORMATION

Dimensions



Washer Size	ID		OD		THICKNESS	
	Basic	Basic	Min	Max	Min	Max
#10	1/4	9/16	0.036	0.065		
1/4	5/16	3/4	0.051	0.080		
5/16	3/8	7/8	0.064	0.104		
3/8	7/16	1	0.064	0.104		
7/16	1/2	1 1/4	0.064	0.104		
1/2	9/16	1 3/8	0.086	0.132		
9/16	5/8	1 1/2	0.086	0.132		
5/8	11/16	1 3/4	0.108	0.160		
3/4	13/16	2	0.122	0.177		
7/8	15/16	2 1/4	0.136	0.192		

Washer Size	ID		OD		THICKNESS	
	Basic	Basic	Min	Max	Min	Max
1	1 1/16	2 1/2	0.136	0.192		
1 1/8	1 1/4	2 3/4	0.136	0.192		
1 1/4	1 3/8	3	0.153	0.213		
1 3/8	1 1/2	3 1/4	0.153	0.213		
1 1/2	1 5/8	3 1/2	0.153	0.213		
1 5/8	1 3/4	3 3/4	0.153	0.213		
1 3/4	1 7/8	4	0.153	0.213		
2	2 1/8	4 1/2	0.153	0.213		
2 1/4	2 3/8	4 3/4	0.193	0.248		
2 1/2	2 5/8	5	0.210	0.280		

ZINC PLATED • IMPORTED

USS Flat Washers are the most commonly used flat washer.

Part #	Size	Approximate Pieces per Pound	Farm Pack Quantity	Shop Pack Quantity	Bulk Quantity
FFW010	#10	393	1#	5#	50#
FFW04	1/4	176	2#	5#	50#
FFW05	5/16	90	2#	5#	50#
FFW06	3/8	70	2#	5#	50#
FFW07	7/16	44	2#	5#	50#
FFW08	1/2	26	2#	5#	50#
FFW09	9/16	22	2#	5#	50#
FFW10	5/8	15	2#	5#	50#
FFW12	3/4	10	2#	5#	50#
FFW14	7/8	8	2#	5#	50#
FFW16	1	6	2#	5#	50#
FFW18	1 1/8	5	2#	5#	50#
FFW20	1 1/4	4.2	2#	5#	50#
FFW22	1 3/8	3.3	2#	5#	50#
FFW24	1 1/2	2.8	2#	5#	50#
FFW26	1 5/8	2.5	2#	5#	50#
FFW28	1 3/4	2	2#	5#	50#
FFW32	2	1.6	2#	5#	50#
FFW36	2 1/4	1.2	2#	5#	50#
FFW40	2 1/2	1	2#	5#	50#

USS FLAT WASHERS

PLAIN FINISH • IMPORTED

Part #	Size	Shop Pack Quantity	Bulk Quantity
FFWP04	1/4	5#	50#
FFWP05	5/16	5#	50#
FFWP06	3/8	5#	50#
FFWP07	7/16	5#	50#
FFWP08	1/2	5#	50#
FFWP10	5/8	5#	50#
FFWP12	3/4	5#	50#
FFWP14	7/8	5#	50#
FFWP16	1	5#	50#
FFWP20	1 1/4	5#	50#
FFWP24	1 1/2	5#	50#

HOT DIP GALVANIZED • IMPORTED

Part #	Size	Shop Pack Quantity	Bulk Quantity
FFWG05	5/16	5#	50#
FFWG06	3/8	5#	50#
FFWG08	1/2	5#	50#
FFWG10	5/8	5#	50#
FFWG12	3/4	5#	50#
FFWG14	7/8	5#	50#

GRADE 8 • YELLOW ZINC • MADE IN USA OR IMPORTED

Part #	Size	Shop Pack Quantity	Bulk Quantity
FFW804	1/4	100	7500
FFW805	5/16	100	5000
FFW806	3/8	100	3500
FFW807	7/16	100	2500
FFW808	1/2	100	1500
FFW809	9/16	50	1100
FFW810	5/8	50	700
FFW812	3/4	50	500
FFW814	7/8	25	350
FFW816	1	25	300
FFW818	1 1/8	25	250

18-8 STAINLESS STEEL • IMPORTED

Part #	Size	Shop Pack Quantity
FSSF809	3/16	100
FSSF811	1/4	100
FSSF813	5/16	100
FSSF815	3/8	100
FSSF817	7/16	50
FSSF819	1/2	100
FSSF821	5/8	50
FSSF823	3/4	50

Don't see the size you're looking for? Call us for availability!

THICK USS FLAT WASHERS & SAE FLAT WASHERS

THICK USS FLAT WASHERS

GRADE 8 • YELLOW ZINC PLATED • MADE IN USA

Thick USS Flat Washers Grade 8 are thicker than regular USS flat washers and have a Rockwell hardness of C38-C45 for heavy duty applications.

Part #	Size	Min Thickness	Max Thickness	Shop Pack Quantity	Bulk Quantity
FFW8ETU04	1/4*	0.090	0.110	50	3700
FFW8ETU05	5/16	0.079	0.093	100	4200
FFW9ETU06	3/8	0.079	0.093	100	3250
FFW9ETU08	1/2	0.122	0.146	100	1100
FFW9ETU10	5/8	0.122	0.146	50	550
FFW9ETU12	3/4	0.136	0.160	50	450
FFW9ETU16	1	0.136	0.160	25	300
FFW8ETU24	1 1/2*	0.286	0.340	10	-

*Extra Thick USS Flat Washers.

SAE FLAT WASHERS

TECHNICAL INFORMATION

Dimensions



Washer Size	ID		OD		THICKNESS	
	Basic		Basic		Min	Max
#4	1/8		5/16		0.025	0.04
#6	5/32		3/8		0.036	0.065
#8	3/16		7/16		0.036	0.065
#10	7/32		1/2		0.036	0.065
#12	1/4		9/16		0.051	0.080
1/4	9/32		5/8		0.051	0.080
5/16	11/32		11/16		0.051	0.080
3/8	13/32		13/16		0.051	0.080
7/16	15/32		59/64		0.051	0.080
1/2	17/32		1 1/16		0.074	0.121
9/16	19/32		1 3/16		0.074	0.121
5/8	21/32		1 5/16		0.074	0.121
3/4	13/16		1 1/2		0.108	0.160
7/8	15/16		1 3/4		0.108	0.160
1	1 1/16		2		0.108	0.160
1 1/8	1 3/16		2 1/4		0.108	0.160
1 1/4	1 5/16		2 1/2		0.136	0.192
1 3/8	1 7/16		2 3/4		0.136	0.213
1 1/2	1 9/16		3		0.153	0.213

SAE FLAT WASHERS

ZINC PLATED • IMPORTED

SAE Flat Washers have a smaller OD than USS Flat Washers and fit tighter on a bolt.

Part #	Size	Approximate Pieces per Pound	Farm Pack Quantity	Shop Pack Quantity	Bulk Quantity
FFWS004	#4	-	25 PC.	100 PC.	-
FFWS006	#6	-	25 PC.	100 PC.	39,500 PC.
FFWS008	#8	-	25 PC.	100 PC.	30,000 PC.
FFWS010	#10	455	1#	5#	50#
FFWS012	#12	-	25 PC.	100 PC.	-
FFWS04	1/4	222	2#	5#	50#
FFWS05	5/16	195	2#	5#	50#
FFWS06	3/8	140	2#	5#	50#
FFWS07	7/16	110	2#	5#	50#
FFWS08	1/2	56	2#	5#	50#
FFWS09	9/16	45	2#	5#	50#
FFWS10	5/8	37	2#	5#	50#
FFWS12	3/4	21	2#	5#	50#
FFWS14	7/8	15.5	2#	5#	50#
FFWS16	1	11.7	2#	5#	50#
FFWS18	1 1/8	9.2	2#	5#	50#
FFWS20	1 1/4	6.7	2#	5#	50#
FFWS24	1 1/2	4.6	2#	5#	50#

PLAIN FINISH • IMPORTED

Part #	Size	Shop Pack Quantity	Bulk Quantity
FFWSP06	3/8	5#	50#
FFWSP08	1/2	5#	50#
FFWSP10	5/8	5#	50#
FFWSP12	3/4	5#	50#
FFWSP14	7/8	5#	50#
FFWSP22	1 3/8	5#	50#

GRADE 8 • YELLOW ZINC PLATED • MADE IN USA OR IMPORTED

Part #	Size	Shop Pack Quantity	Bulk Quantity
FFW8S04	1/4	100	10000
FFW8S05	5/16	100	10000
FFW8S06	3/8	100	7000
FFW8S07	7/16	100	5000
FFW8S08	1/2	100	2425
FFW8S09	9/16	50	2250
FFW8S10	5/8	50	1340
FFW8S12	3/4	50	1120
FFW8S14	7/8	25	695
FFW8S16	1	25	555
FFW8S18	1 1/8	25	435
FFW8S20	1 1/4	25	350
FFW8S24	1 1/2	25	240

18-8 STAINLESS STEEL • IMPORTED

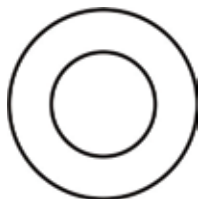
Part #	Size	Shop Pack Quantity
FSSFWS010	#10	100
FSSFWS04	1/4	100
FSSFWS05	5/16	100
FSSFWS06	3/8	100
FSSFWS07	7/16	50
FSSFWS08	1/2	100

Don't see the size you're looking for? Call us for availability!

THICK SAE FLAT WASHERS & EXTRA THICK SAE FLAT WASHERS

THICK SAE FLAT WASHERS

GRADE 9 • YELLOW ZINC PLATED • MADE IN USA

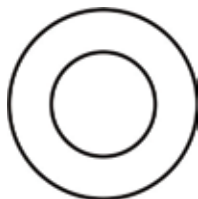


Thick SAE Flat Washers Grade 9 are thicker than regular SAE flat washers and have a Rockwell hardness of C38-C45 for heavy duty applications.

Part #	Size	Min Thickness	Max Thickness	Shop Pack Quantity	Bulk Quantity
FFW9ET05	5/16	0.079	0.093	100	8000
FFW9ET06	3/8	0.079	0.093	100	5300
FFW9ET07	7/16	0.090	0.106	100	3600
FFW9ET08	1/2	0.122	0.146	100	2000
FFW9ET10	5/8	0.136	0.160	50	1150
FFW9ET12	3/4	0.136	0.160	50	950
FFW9ET14	7/8	0.136	0.160	25	650
FFW9ET16	1	0.136	0.160	25	500

EXTRA THICK SAE FLAT WASHERS

GRADE 8 • YELLOW ZINC PLATED • MADE IN USA



Extra Thick SAE Flat Washers Grade 8 are the thickest flat washers we carry and are hardened to a Rockwell hardness of C38-C45 for the most heavy duty applications.

Part #	Size	Min Thickness	Max Thickness	Shop Pack Quantity	Bulk Quantity
FFW8ET04	1/4	0.090	0.110	100	5700
FFW8ET05	5/16	0.090	0.110	100	5000
FFW8ET06	3/8	0.110	0.126	100	3100
FFW8ET07	7/16	0.110	0.126	100	2400
FFW8ET08	1/2	0.156	0.188	100	1000
FFW8ET09	9/16	0.156	0.188	50	900
FFW8ET10	5/8	0.170	0.195	50	700
FFW8ET12	3/4	0.170	0.195	25	600
FFW8ET14	7/8	0.235	0.265	25	300
FFW8ET16	1	0.235	0.265	25	200
FFW8ET18	1 1/8	0.235	0.265	25	200
FFW8ET20	1 1/4	0.235	0.265	25	200
FFW8ET24	1 1/2	0.286	0.340	10	100

STAINLESS STEEL FLAT WASHERS, ALUMINUM FLAT WASHERS & EXTRA THICK STAINLESS STEEL FLAT WASHERS

STAINLESS STEEL FLAT WASHERS

Dimensions



Washer Size	ID	OD	Thickness	
			MAX	MIN
#4	0.125	0.312	0.040	0.025
#6	0.156	0.375	0.065	0.036
#8	0.188	0.438	0.065	0.036
#10	0.195	0.354	0.070	0.056
#12	0.250	0.562	0.057	0.043
1/4	0.281	0.625	0.057	0.043
5/16	0.343	0.750	0.057	0.043
3/8	0.406	0.875	0.057	0.043
7/16	0.500	1.125	0.069	0.055
1/2	0.531	1.250	0.069	0.055
5/8	0.687	1.500	0.085	0.071
3/4	0.812	1.875	0.116	0.102
7/8	0.937	2.000	0.116	0.102
1	1.062	2.000	0.132	0.118

18-8 STAINLESS STEEL • IMPORTED

These flat washers are the standard flat washer in stainless steel.

Part #	Size	Shop Pack Quantity	Bulk Quantity
FSSF804	#4	100	-
FSSF006	#6	100	-
FSSF008	#8	100	-
FSSF010	#10	100	-
FSSF012	#12	100	-
FSSF04	1/4	100	8750
FSSF05	5/16	100	4500
FSSF06	3/8	100	3500
FSSF07	7/16	50	2200
FSSF08	1/2	100	1300
FSSF10	5/8	50	750
FSSF12	3/4	50	500
FSSF14	7/8	25	400
FSSF16	1	25	300

ALUMINUM FLAT WASHERS

Part #	Size	Dimensions		Package Quantity
		ID X OD	THICKNESS	
FAFW08	#6	0.149 X 0.375	0.031	100
FAFW12	#10	0.203 X 0.437	0.031	100

EXTRA THICK STAINLESS STEEL FLAT WASHERS

SMALL OD • 300 SERIES STAINLESS STEEL • MADE IN USA

Dimensions

Washer Size	ID	OD	Thickness
1/4	9/32	1/2	5/64
5/16	11/32	5/8	3/32
3/8	13/32	13/16	1/8

Part #	Size	Shop Pack Quantity
FSSFWET04	1/4	100
FSSFWET05	5/16	100
FSSFWET06	3/8	100

LARGE OD • 300 SERIES STAINLESS STEEL • MADE IN USA

Dimensions

Washer Size	ID	OD	Thickness
1/4	9/32	5/8	1/8
5/16	11/32	3/4	1/8
3/8	13/32	1	1/8

Part #	Size	Shop Pack Quantity
FSSFWETU04	1/4	100
FSSFWETU05	5/16	100
FSSFWETU06	3/8	100

Don't see the size you're looking for? Call us for availability!

REGULAR SPLIT LOCK WASHERS

TECHNICAL INFORMATION

Dimensions



Washer Size	A	B
#8	0.040	0.055
#10	0.047	0.062
#12	0.056	0.070
1/4	0.109	0.062
5/16	0.125	0.078
3/8	0.141	0.094
7/16	0.156	0.109
1/2	0.171	0.125
9/16	0.188	0.141
5/8	0.203	0.156
3/4	0.234	0.188
7/8	0.266	0.219
1	0.297	0.250
1 1/8	0.281	0.328
1 1/4	0.312	0.359
1 3/8	0.344	0.391
1 1/2	0.375	0.422
1 3/4	0.389	0.424

HOT DIP GALVANIZED • IMPORTED

Part #	Size	Shop Pack Quantity	Bulk Quantity
FLWG06	3/8	100	8000
FLWG08	1/2	100	3750
FLWG10	5/8	100	2000

18-8 STAINLESS STEEL • IMPORTED

Part #	Size	Shop Pack Quantity
FSSLW010	#10	100
FSSLW04	1/4	100
FSSLW05	5/16	100
FSSLW06	3/8	100
FSSLW07	7/16	50
FSSLW08	1/2	100
FSSLW10	5/8	50
FSSLW12	3/4	50

ZINC PLATED • MADE IN USA OR IMPORTED

Regular Split Lock Washers lock a regular hex nut onto a bolt with the spring action they provide.

Part #	Size	Shop Pack Quantity	Discount Pack Quantity	Bulk Quantity
FLW008	#8	100	500	50000
FLW010	#10	100	500	75000
FLW012	#12	100	500	45000
FLW04	1/4	100	2100	15000
FLW05	5/16	100	1300	12500
FLW06	3/8	100	850	8000
FLW07	7/16	100	600	5500
FLW08	1/2	100	400	3750
FLW09	9/16	100	300	2500
FLW10	5/8	100	225	2000
FLW12	3/4	50	150	1250
FLW14	7/8	25	100	750
FLW16	1	25	100	500
FLW18	1 1/8	25	125	350
FLW20	1 1/4	10	50	250
FLW22	1 3/8	1	100	200
FLW24	1 1/2	1	100	125
FLW28	1 3/4	1	100	100

ALLOY • YELLOW ZINC PLATED • MADE IN USA

Part #	Size	Shop Pack Quantity	Bulk Quantity
FLW804	1/4	100	22500
FLW805	5/16	100	12500
FLW806	3/8	100	8000
FLW807	7/16	100	5500
FLW808	1/2	100	3750
FLW809	9/16	100	2500
FLW810	5/8	100	2000
FLW812	3/4	50	1250
FLW814	7/8	25	750
FLW816	1	25	500

EXTERNAL & INTERNAL TOOTH LOCK WASHERS

EXTERNAL TOOTH LOCK WASHERS

TECHNICAL INFORMATION

Dimensions



Washer Size	ID		OD		Thickness	
	BASIC	BASIC	MAX	MIN		
#6	0.155	0.305	0.022	0.016		
#8	0.180	0.348	0.023	0.018		
#10	0.209	0.389	0.024	0.018		
#12	0.236	0.418	0.027	0.020		
1/4	0.273	0.487	0.028	0.023		
5/16	0.338	0.618	0.034	0.028		
3/8	0.405	0.703	0.040	0.032		
7/16	0.472	0.814	0.040	0.032		
1/2	0.539	0.917	0.045	0.037		
9/16	0.606	0.999	0.045	0.037		
5/8	0.675	1.084	0.050	0.042		
3/4	0.808	1.258	0.055	0.047		

ZINC PLATED • IMPORTED

External Tooth Lock Washers provide the best lock of all tooth lock washers.

Part #	Size	Shop Pack Quantity
FLWEX006	#6	100
FLWEX008	#8	100
FLWEX010	#10	100
FLWEX012	#12	100
FLWEX04	1/4	100
FLWEX05	5/16	100
FLWEX06	3/8	100
FLWEX07	7/16	100
FLWEX08	1/2	100
FLWEX10	5/8	50
FLWEX12	3/4	50

400 SERIES • STAINLESS STEEL • IMPORTED

Part #	Size	Shop Pack Quantity
FSSLWEX010	#10	100
FSSLWEX04	1/4	100

INTERNAL TOOTH LOCK WASHERS

ZINC PLATED • IMPORTED



Internal Tooth Lock Washers are used where a finished appearance is desired or when a smaller headed fastener is used.

Part #	Size	Shop Pack Quantity
FLWIN006	#6	100
FLWIN008	#8	100
FLWIN010	#10	100
FLWIN012	#12	100
FLWIN04	1/4	100
FLWIN05	5/16	100
FLWIN06	3/8	100
FLWIN07	7/16	100
FLWIN08	1/2	100
FLWIN09	9/16	50
FLWIN10	5/8	50

STRUCTURAL WASHERS & BEVELED WASHERS

STRUCTURAL WASHERS TECHNICAL INFORMATION



Dimensions

Washer Size	ID	OD	Thickness
1/2	17/32	1 1/16	0.097/0.177
5/8	11/16	1 5/16	0.122/0.177
3/4	13/16	1 15/32	0.122/0.177
7/8	15/16	1 3/4	0.136/0.177
1	1 1/16	2	0.136/0.177
1 1/8	1 3/16	2 1/4	0.136/0.177
1 1/4	1 3/8	2 1/2	0.136/0.177

F436 • PLAIN FINISH • MADE IN USA OR IMPORTED

Structural Washers are manufactured to ASTM F436 specs and are designed especially for use with A325 and A490 structural bolts.

Part #	Size	Shop Pack Quantity	Bulk Quantity
FFWA32508	1/2	100	2500
FFWA32510	5/8	50	1250
FFWA32512	3/4	50	1125
FFWA32514	7/8	25	625
FFWA32516	1	25	500
FFWA32518	1 1/8	25	375
FFWA32520	1 1/4	25	300

F436 • HOT DIP GALVANIZED • MADE IN USA OR IMPORTED

Part #	Size	Shop Pack Quantity	Bulk Quantity
FFWA325G08	1/2	100	2500
FFWA325G10	5/8	50	1250
FFWA325G12	3/4	50	1125

Don't see the size you're looking for? Call us for availability!

BEVELED WASHERS TECHNICAL INFORMATION



Dimensions

Washer Size	ID	OD
1/2	17/32	1 3/4
5/8	11/16	1 3/4
3/4	13/16	1 3/4
7/8	15/16	1 3/4
1	1 1/8	1 3/4

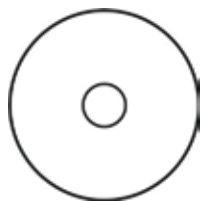
PLAIN FINISH • IMPORTED

Beveled Washers are used to fasten bolts to the Flanges of I-beams.

Part #	Size	Shop Pack Quantity	Bulk Quantity
FBW08	1/2	50	540
FBW10	5/8	25	360
FBW12	3/4	25	300
FBW16	1	10	135

FENDER WASHERS

ZINC PLATED • IMPORTED



Fender Washers are used anywhere where a washer with extra surface area is needed. Size is measured ID X OD. The ID is 1/32" oversized and the thickness is approximately 1/16".

Part #	Size	Shop Pack Quantity	Bulk Quantity
FFEW0410	#6 X 5/8	100	-
FFEW0412	#6 X 3/4	100	7890
FFEW0512	#8 X 3/4	100	-
FFEW0612	#10 X 3/4	100	6500
FFEW0616	#10 X 1	100	3630
FFEW0620	#10 X 1 1/4	100	2280
FFEW0816	1/4 X 1	100	3750
FFEW0820	1/4 X 1 1/4	100	2330
FFEW0824	1/4 X 1 1/2	100	1590
FFEW0832	1/4 X 2	100	882
FFEW1020	5/16 X 1 1/4	100	2390
FFEW1024	5/16 X 1 1/2	100	1620
FFEW1220	3/8 X 1 1/4	100	2480
FFEW1224	3/8 X 1 1/2	100	1650
FFEW1232	3/8 X 2	100	902
FFEW1632	1/2 X 2	100	930

1/8" THICK • ZINC PLATED • MADE IN USA OR IMPORTED

Part #	Size	Shop Pack Quantity	Bulk Quantity
FFEW08162	1/4 X 1	100	2000
FFEW08242	1/4 X 1 1/2	100	850
FFEW10202	5/16 X 1 1/4	100	1250
FFEW10242	5/16 X 1 1/2	100	875
FFEW12202	3/8 X 1 1/4	100	1300
FFEW12242	3/8 X 1 1/2	100	900
FFEW16322	1/2 X 2	50	500

18-8 STAINLESS STEEL • IMPORTED

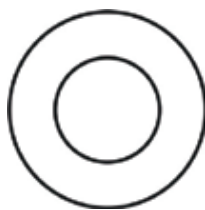
Part #	Size	Shop Pack Quantity
FSSFEW01006	10 X 3/4	100
FSSFEW01008	10 X 1	100
FSSFEW0408	1/4 X 1	100
FSSFEW0410	1/4 X 1 1/4	100
FSSFEW0510	5/16 X 1 1/4	100
FSSFEW0512	5/16 X 1 1/2	100
FSSFEW0608	3/8 X 1	100
FSSFEW0612	3/8 X 1 1/2	100

MACHINERY BUSHINGS

Dimensional Information:

18 Gauge 0.042/0.054 thick
 14 Gauge 0.068/0.082 thick
 10 Gauge 0.126/0.142 thick

Tolerances for OD +0.010/-0.010
 Tolerances for ID +0.010/+0.025



Machinery Bushings reduce wear between moving parts, prevent marring of finishes, and can be used as spacers. They are manufactured from low carbon steel. Size is given here as ID X OD.

NARROW RIM • 18 GAUGE • PLAIN FINISH • MADE IN USA OR IMPORTED

Part #	Size	Shop Pack Quantity
FMBN808	1/2 X 7/8	25
FMBN809	9/16 X 1	25
FMBN810	5/8 X 1	25
FMBN812	3/4 X 1 1/4	25
FMBN814	7/8 X 1 3/8	25
FMBN816	1 X 1 1/2	25
FMBN818	1 1/8 X 1 3/4	25
FMBN820	1 1/4 X 1 7/8	25
FMBN822	1 3/8 X 2 1/8	25
FMBN824	1 1/2 X 2 1/4	25
FMBN828	1 3/4 X 2 1/2	25
FMBN840	2 1/2 X 3 1/2	10

NARROW RIM • 14 GAUGE • PLAIN FINISH • MADE IN USA OR IMPORTED

Part #	Size	Shop Pack Quantity
FMBN408	1/2 X 7/8	25
FMBN409	9/16 X 1	25
FMBN410	5/8 X 1	25
FMBN412	3/4 X 1 1/4	25
FMBN414	7/8 X 1 3/8	25
FMBN416	1 X 1 1/2	25
FMBN418	1 1/8 X 1 3/4	25
FMBN420	1 1/4 X 1 7/8	25
FMBN422	1 3/8 X 2 1/8	25
FMBN424	1 1/2 X 2 1/4	25
FMBN426	1 5/8 X 2 3/8	25
FMBN428	1 3/4 X 2 1/2	25
FMBN430	1 7/8 X 2 7/8	25
FMBN432	2 X 3	10
FMBN434	2 1/8 X 3 1/8	10
FMBN436	2 1/4 X 3 1/4	10
FMBN438	2 3/8 X 3 3/8	10
FMBN440	2 1/2 X 3 1/2	10

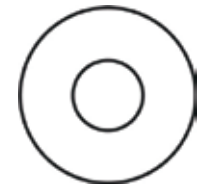
MACHINERY BUSHINGS

NARROW RIM • 10 GAUGE • PLAIN FINISH • MADE IN USA OR IMPORTED

Part #	Size	Shop Pack Quantity
FMBN012	3/4 X 1 1/4	25
FMBN014	7/8 X 1 3/8	25
FMBN016	1 X 1 1/2	25
FMBN018	1 1/8 X 1 3/4	25
FMBN020	1 1/4 X 1 7/8	25
FMBN022	1 3/8 X 2 1/8	25
FMBN024	1 1/2 X 2 1/4	25
FMBN026	1 5/8 X 2 3/8	25
FMBN028	1 3/4 X 2 1/2	25
FMBN030	1 7/8 X 2 7/8	25
FMBN032	2 X 3	10
FMBN034	2 1/8 X 3 1/8	10

WIDE RIM • 18 GAUGE • PLAIN FINISH • MADE IN USA OR IMPORTED

Part #	Size	Shop Pack Quantity
FMBW816	1 X 2	25
FMBW844	2 3/4 X 4	10



WIDE RIM • 14 GAUGE • PLAIN FINISH • MADE IN USA OR IMPORTED

Part #	Size	Shop Pack Quantity
FMBW410	5/8 X 1 1/4	25
FMBW412	3/4 X 1 1/2	25
FMBW414	7/8 X 1 3/4	25
FMBW416	1 X 2	25
FMBW418	1 1/8 X 2 1/8	25
FMBW420	1 1/4 X 2 1/4	25
FMBW422	1 3/8 X 2 1/2	25
FMBW424	1 1/2 X 3	25

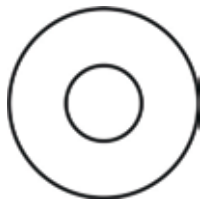
Part #	Size	Shop Pack Quantity
FMBW426	1 5/8 X 3 1/8	25
FMBW428	1 3/4 X 3 1/4	25
FMBW430	1 7/8 X 3 3/8	25
FMBW432	2 X 3 1/2	10
FMBW434	2 1/8 X 3 5/8	10
FMBW436	2 1/4 X 3 3/4	10
FMBW440	2 1/2 X 3 7/8	10
FMBW444	2 3/4 X 4	10

WIDE RIM • 10 GAUGE • PLAIN FINISH • MADE IN USA OR IMPORTED

Part #	Size	Shop Pack Quantity
FMBW012	3/4 X 1 1/2	25
FMBW016	1 X 2	25
FMBW020	1 1/4 X 2 1/4	25
FMBW024	1 1/2 X 3	25
FMBW028	1 3/4 X 3 1/4	25
FMBW032	2 X 3 1/2	10

NYLON FLAT WASHERS

MADE IN USA



Nylon Flat Washers are strong yet light weight, can be used indoors or outdoors and are an excellent way to protect a finish.

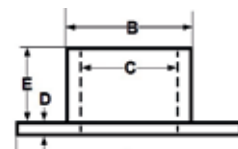
Part #	Size	Color	Shop Pack Quantity	Bulk Quantity
FNF050002570062	0.500 OD X 0.257 ID X 0.062 THICK	WHITE	100	5000
FNF050003170062	0.500 OD X 0.317 ID X 0.062 THICK	WHITE	100	5000
FNF062001870062	0.620 OD X 0.187 ID X 0.062 THICK	WHITE	100	5000
FNF062502570062	0.625 OD X 0.257 ID X 0.062 THICK	WHITE	100	5000
FNF062503120062	0.625 OD X 0.312 ID X 0.062 THICK	WHITE	100	5000
FNF062503800032	0.625 OD X 0.380 ID X 0.032 THICK	WHITE	100	5000
AV13907	0.687 OD X 0.586 ID X 0.062 THICK	WHITE	100	5000
FNF070903350039	0.709 OD X 0.335 ID X 0.039 THICK	WHITE	100	5000
FNF075003800062	0.750 OD X 0.380 ID X 0.062 THICK	WHITE	100	5000
FNF075004430032	0.750 OD X 0.443 ID X 0.032 THICK	WHITE	100	5000
FNF075004430062	0.750 OD X 0.443 ID X 0.062 THICK	WHITE	100	5000
AV13911	0.750 OD X 0.505 ID X 0.062 THICK	WHITE	100	5000
FNF075503920123	0.755 OD X 0.392 ID X 0.123 THICK	WHITE	100	5000
FNF087503150062	0.875 OD X 0.315 ID X 0.062 THICK	WHITE	100	5000
FNF094403310098	0.944 OD X 0.331 ID X 0.098 THICK	WHITE	100	5000
FNF098404060125	0.984 OD X 0.406 ID X 0.125 THICK	WHITE	100	5000
FNF100004110062	1.000 OD X 0.411 ID X 0.062 THICK	WHITE	100	5000
FNF100005000031	1.000 OD X 0.500 ID X 0.031 THICK	WHITE	100	5000
FNF100005080062	1.000 OD X 0.508 ID X 0.062 THICK	WHITE	100	5000
FNF100005180080	1.000 OD X 0.518 ID X 0.080 THICK	WHITE	100	5000
FNF100006320076	1.000 OD X 0.632 ID X 0.076 THICK	WHITE	100	5000
FNF125005000062	1.250 OD X 0.500 ID X 0.062 THICK	WHITE	100	5000
FNF125005620060	1.250 OD X 0.562 ID X 0.060 THICK	WHITE	100	5000
FNF125007650080	1.250 OD X 0.765 ID X 0.080 THICK	WHITE	100	5000
AV13920	1.375 OD X 0.525 ID X 0.125 THICK	WHITE	100	5000
FNF150006960120	1.500 OD X 0.696 ID X 0.120 THICK	WHITE	100	2500
FNF200006300125	2.000 OD X 0.630 ID X 0.125 THICK	WHITE	100	1250
FNF050002570062	0.500 OD X 0.257 ID X 0.062 THICK	BLACK	100	5000
FNF062501870042	0.625 OD X 0.187 ID X 0.042 THICK	BLACK	100	5000
FNF062502570062	0.625 OD X 0.257 ID X 0.062 THICK	BLACK	100	5000
FNF0200703150197	2.007 OD X 0.315 ID X 0.197 THICK	BLACK	100	1250

Need a different size or color? Call us for availability!

NYLON SHOULDER WASHERS, NYLON SPACERS & RIVET WASHER

NYLON SHOULDER WASHERS TECHNICAL INFORMATION

Dimensions



Part Number	A	B	C	D	E
FNSW075002660188	0.750	0.350	0.266	0.062	0.188
FNSW075004700174	0.750	0.625	0.470	0.066	0.174
FNSW125004370375	1.250	0.650	0.437	0.125	0.375

NATURAL NYLON • MADE IN USA



Nylon Shoulder Washers are an excellent way to protect a surface. They are light weight and will not corrode.

Part #	Size	Shop Pack Quantity	Bulk Quantity
FNSW075002660188	0.750 OD X 0.266 ID X 0.188 SHANK	100	5000
FNSW075004700174	0.750 OD X 0.470 ID X 0.174 SHANK	100	5000
FNSW125004370375	1.250 OD X 0.437 ID X 0.375 SHANK	100	5000

NYLON SPACERS MADE IN USA



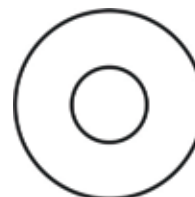
Nylon Spacers are lightweight and strong. They will not corrode and can be used outdoors and indoors.

Part #	Size	Color	Shop Pack Quantity	Bulk Quantity
FNSP050002570125	0.500 OD X 0.257 ID X 0.125 THICK	WHITE	100	5000
FNSP050002570250	0.500 OD X 0.257 ID X 0.250 THICK	WHITE	100	5000
FNSP075002660187	0.750 OD X 0.266 ID X 0.187 THICK	WHITE	100	5000
FNSPB075003120390	0.750 OD X 0.312 ID X 0.390 THICK	BLACK	100	5000
FNSPB100003750500	1.000 OD X 0.375 ID X 0.500 THICK	BLACK	100	5000
FNSPB100005050250	1.000 OD X 0.505 ID X 0.250 THICK	BLACK	100	5000

Need a different size or color? Call us for availability!

RIVET WASHER ZINC PLATED • MADE IN USA

Part #	Size	Material	Package Quantity
FRW02	1/8 X 3/8	STEEL	100
FRW03	3/16 X 1/2	STEEL	100
FRW04	1/4 X 1/2	STEEL	100
FRWA03	3/16 X 1/2	ALUMINUM	100



Rivet Washers are used to compensate for soft materials or oversized holes when using blind rivets. Size is ID X OD X Thickness.

Don't see the size you're looking for? Call us for availability!

COUNTERSUNK FINISHING, NEOPRENE BONDED SEALING WASHERS & QUICK REPAIR WASHERS

COUNTERSUNK FINISHING WASHERS TECHNICAL INFORMATION

Dimensions

Washer Size	ID	OD	Height
#6	0.180	0.447	0.091
#8	0.200	0.531	0.099
#10	0.257	0.594	0.115



NICKEL PLATED • IMPORTED

Countersunk Finishing Washers are designed to use with oval head or countersunk flat head screws. They give additional bearing surface and a neat finished appearance.

Part #	Size	Shop Pack Quantity	Bulk Quantity
FFIW006	#6	100	10000
FFIW008	#8	100	10000
FFIW010	#10	100	10000

18-8 STAINLESS STEEL • IMPORTED

Part #	Size	Shop Pack Quantity
FSSFIW006	#6	100
FSSFIW008	#8	100
FSSFIW010	#10	100

NEOPRENE BONDED SEALING WASHERS GALVANIZED • MADE IN USA



Neoprene Bonded Washers provide a weather tight seal. They are commonly used in applications such as grain bins or fastening sheet metal to a building.

Part #	Size	Shop Pack Quantity	Bulk Quantity
FWCMS04	1/4 X 5/8	100	7500
FWCMS05	5/16 X 23/32	100	6000
FWCMS06	3/8 X 23/32	100	6000

QUICK REPAIR WASHERS ZINC PLATED • IMPORTED



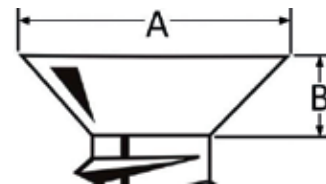
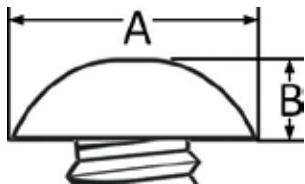
Quick Repair Washers are an economical way to get a washer or spacer into a spot that would require a lot of disassembly otherwise. Size is given as ID X OD and they are 1/8" thick.

Part #	Size	Discount Quantity
FQRW12	3/4 X 1 3/4	100
FQRW14	7/8 X 1 7/8	100
FQRW16	1 X 2	100
FQRW18	1 1/8 X 2 1/8	100
FQRW20	1 1/4 X 2 1/4	100

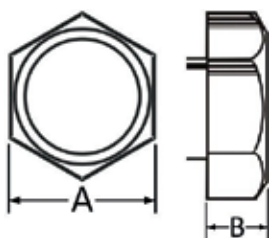
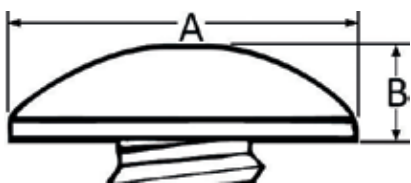
Part #	Size	Discount Quantity
FQRW22	1 3/8 X 2 3/8	100
FQRW24	1 1/2 X 2 1/2	100
FQRW28	1 3/4 X 2 3/4	100
FQRW32	2 X 3	100

TECHNICAL INFORMATION

Head Dimensions



Size	Round				Pan				Flat			
	A (OD)		B (Height)		A (OD)		B (Height)		A (OD)		B (Height)	
	MAX	MIN	MAX	MIN	MAX	MIN	MAX	MIN	MAX	MIN	MAX	MIN
#4	0.211	0.193	0.086	0.075	0.219	0.205	0.080	0.070	0.212	0.191	0.067	0.055
#5	0.236	0.217	0.095	0.083	0.245	0.231	0.089	0.079	0.237	0.215	0.075	0.062
#6	0.260	0.240	0.103	0.091	0.270	0.256	0.097	0.087	0.262	0.238	0.083	0.069
#7	-	-	-	-	0.296	0.281	0.106	0.096	0.287	0.262	0.091	0.076
#8	0.309	0.287	0.120	0.107	0.322	0.306	0.115	0.105	0.312	0.285	0.100	0.084
#9	-	-	-	-	-	-	-	-	0.358	0.316	0.108	0.091
#10	0.359	0.334	0.137	0.123	0.373	0.357	0.133	0.122	0.362	0.333	0.116	0.098
#12	0.408	0.382	0.153	0.139	0.425	0.407	0.151	0.139	0.412	0.380	0.132	0.112
#14	0.472	0.443	0.175	0.160	0.476	0.457	0.169	0.156	0.462	0.427	0.148	0.126
5/16	0.590	0.557	0.216	0.198	0.615	0.594	0.218	0.203	0.597	0.556	0.191	0.165
3/8	0.708	0.670	0.256	0.237	0.740	0.716	0.261	0.244	0.717	0.670	0.230	0.200

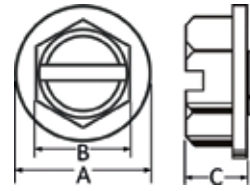
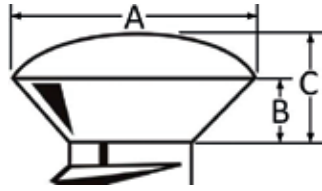


Size	Truss				Hex Head				Bugle	
	A (OD)		B (Height)		A		B (Height)		OD	
	MAX	MIN	MAX	MIN	WIDTH ACROSS FLATS		MAX	MIN	MAX	MIN
#4	0.257	0.241	0.069	0.059	3/16		0.060	0.049	-	-
#6	0.321	0.303	0.086	0.074	1/4		0.093	0.080	0.347	0.315
#8	0.384	0.364	0.102	0.088	1/4		0.110	0.096	0.363	0.315
#10	0.448	0.425	0.118	0.103	5/16		0.120	0.105	0.363	0.334
#12	0.511	0.487	0.134	0.118	5/16		0.155	0.139	0.415	0.390
#14	0.573	0.546	0.150	0.133	7/16		0.230	0.208	0.472	0.450
5/16	0.698	0.666	0.183	0.162	1/2		0.230	0.208	-	-
3/8	0.823	0.787	0.215	0.191	9/16		0.295	0.270	-	-

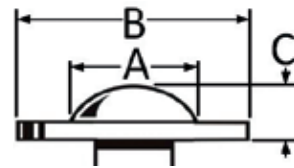
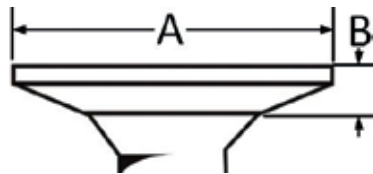
SCREWS

TECHNICAL INFORMATION

Head Dimensions



Size	Oval Head				Hex Washer Head				
	A (OD)		B	C	A (Washer OD)		B	C (Height)	
	MAX	MIN	COUNTERSUNK HEIGHT	OVERALL HEIGHT	MAX	MIN	ACROSS THE FLATS	MAX	MIN
#4	0.212	0.191	0.067	0.104	0.243	0.225	3/16	0.079	0.060
#6	0.262	0.238	0.083	0.140	0.328	0.302	1/4	0.118	0.095
#8	0.312	0.285	0.100	0.152	0.348	0.322	1/4	0.141	0.115
#10	0.362	0.333	0.116	0.176	0.414	0.384	5/16	0.151	0.124
#12	0.412	0.380	0.132	0.200	0.432	0.398	5/16	0.194	0.161
#14	0.462	0.427	0.148	0.224	0.520	0.480	3/8	0.240	0.202
5/16	0.597	0.556	0.191	0.290	0.590	0.551	7/16	0.293	0.245
3/8	0.717	0.670	0.230	0.347	0.780	0.720	9/16	0.358	0.307



Size	Wafer Head				Round Washer Head			
	OD		Wafer Thickness		Crown Diameter	Washer OD	Thickness	
	MAX	MIN	MAX	MIN	BASIC	BASIC	MAX	MIN
#8	0.380	0.359	0.035	0.025	0.259	3/8	0.113	0.101
#10	0.516	0.441	0.040	0.031	0.300	7/16	0.130	0.118
#12	0.552	0.511	0.268	0.254	-	-	-	-
#14	0.620	0.580	0.282	0.267	0.396	9/16	0.170	0.157

TECHNICAL INFORMATION

Concrete Screw Dimensions

Size	Hex Washer Head			Phillips Flat Head			
	Width Across the Flats	Head Height	Washer OD	Fixture Clearance Hole	Head Diameter	Head Height	Fixture Clearance Hole
3/16	1/4	9/64	11/32	1/4	3/8	9/64	1/4
1/4	5/16	11/64	13/32	5/16	1/2	3/16	5/16

Drill Point Dimensions

Size	Drill Point Length		
	#2	#3	#4 Winged
6	0.190	0.220	-
8	0.211	0.251	-
10	0.235	0.300	-
12	0.283	0.353	0.571
1/4	0.318	0.393	-
5/16	-	0.391	-
3/8	-	0.334	-

Type A and AB Information

The main difference between Type A and Type AB screws is the thread count.

Size	Type A	Type AB
4	-	24
5	-	20
6	18	20
7	16	19
8	15	18
10	12	16
12	11	14
14	10	14
5/16	9	12

Screw Diameter Table

Screw Size	Decimal Size	Fractional Size
#24	0.372	3/8
#20	0.320	5/16
#14	0.242	1/4
#12	0.216	7/32
#10	0.190	3/16
#9	0.177	11/64
#8	0.164	5/32
#7	0.151	5/32
#6	0.138	9/64
#5	0.125	1/8
#4	0.112	7/64
#3	0.099	7/64
#2	0.086	3/32
#1	0.073	5/64
#0	0.060	1/16

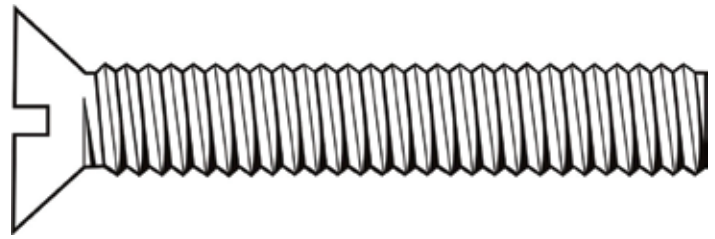
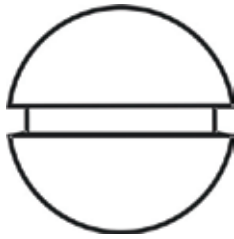
Drill Size for Type F Self Threading Screws

Screw Size	Drill Size
6-32	7/64
8-32	9/64
10-24	5/32
10-32	#20
12-24	3/16
1/4-20	13/64
5/16-18	17/64
3/8-16	5/16
1/2-13	27/64

SLOTTED FLAT HEAD MACHINE SCREWS

Machine Screws are manufactured from low carbon steel and are not hardened. A wide variety of head styles are available .

COARSE THREAD • ZINC PLATED • IMPORTED



Part #	Size	Shop Pack Quantity	Bulk Quantity
FSSF0604	6-32 X 1/2	100	15000
FSSF0606	6-32 X 3/4	100	12000
FSSF0608	6-32 X 1	100	12000
FSSF0610	6-32 X 1 1/4	100	9000
FSSF0804	8-32 X 1/2	100	12000
FSSF0806	8-32 X 3/4	100	8000
FSSF0808	8-32 X 1	100	7000
FSSF0810	8-32 X 1 1/4	100	6000
FSSF0812	8-32 X 1 1/2	100	5000
FSSF1003	10-24 X 3/8	100	9000
FSSF1004	10-24 X 1/2	100	8000
FSSF1005	10-24 X 5/8	100	7500
FSSF1006	10-24 X 3/4	100	7000
FSSF1008	10-24 X 1	100	5000
FSSF1010	10-24 X 1 1/4	100	4000
FSSF1012	10-24 X 1 1/2	100	4000
FSSF1014	10-24 X 1 3/4	100	3000
FSSF1016	10-24 X 2	100	2500
FSSF1020	10-24 X 2 1/2	100	2000
FSSF1024	10-24 X 3	100	1600
FSSF1028	10-24 X 3 1/2	100	1500
FSSF406	1/4-20 X 3/4	100	3000
FSSF408	1/4-20 X 1	100	2500
FSSF410	1/4-20 X 1 1/4	100	2000
FSSF412	1/4-20 X 1 1/2	100	2000

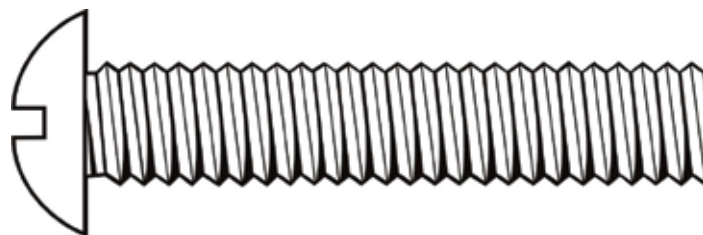
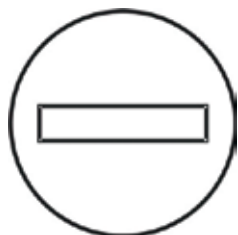
Part #	Size	Shop Pack Quantity	Bulk Quantity
FSSF416	1/4-20 X 2	100	1600
FSSF418	1/4-20 X 2 1/4	100	1400
FSSF420	1/4-20 X 2 1/2	100	1200
FSSF424	1/4-20 X 3	100	1000
FSSF428	1/4-20 X 3 1/2	100	800
FSSF506	5/16-18 X 3/4	100	1600
FSSF508	5/16-18 X 1	100	1400
FSSF510	5/16-18 X 1 1/4	100	1200
FSSF512	5/16-18 X 1 1/2	100	1000
FSSF516	5/16-18 X 2	100	900
FSSF518	5/16-18 X 2 1/4	100	800
FSSF520	5/16-18 X 2 1/2	100	800
FSSF524	5/16-18 X 3	100	600
FSSF528	5/16-18 X 3 1/2	50	600
FSSF532	5/16-18 X 4	50	500
FSSF540	5/16-18 X 5	50	400
FSSF612	3/8-16 X 1 1/2	100	800
FSSF616	3/8-16 X 2	100	700
FSSF620	3/8-16 X 2 1/2	50	600
FSSF624	3/8-16 X 3	50	500
FSSF628	3/8-16 X 3 1/2	50	450
FSSF632	3/8-16 X 4	50	400
FSSF636	3/8-16 X 4 1/2	50	350
FSSF808	1/2-13 X 1	50	500
FSSF812	1/2-13 X 1 1/2	50	350

FINE THREAD • ZINC PLATED • IMPORTED

Part #	Size	Shop Pack Quantity	Bulk Quantity
FSSFF1004	10-32 X 1/2	100	8000
FSSFF1006	10-32 X 3/4	100	6000
FSSFF1008	10-32 X 1	100	5000

SLOTTED ROUND HEAD MACHINE SCREWS

COARSE THREAD • ZINC PLATED • IMPORTED



Part #	Size	Shop Pack Quantity	Bulk Quantity
FSSRM0602	6-32 X 1/4	100	25000
FSSRM0603	6-32 X 3/8	100	20000
FSSRM0604	6-32 X 1/2*	100	15000
FSSRM0606	6-32 X 3/4	100	12000
FSSRM0608	6-32 X 1	100	10000
FSSRM0624	6-32 X 3	100	3000
FSSRM0803	8-32 X 3/8	100	14000
FSSRM0804	8-32 X 1/2	100	12000
FSSRM0806	8-32 X 3/4	100	8000
FSSRM0808	8-32 X 1	100	7000
FSSRM0810	8-32 X 1 1/4	100	6000
FSSRM0812	8-32 X 1 1/2	100	5000
FSSRM0848	8-32 X 6	100	-
FSSRM1003	10-24 X 3/8	100	9000
FSSRM1004	10-24 X 1/2	100	8000
FSSRM1006	10-24 X 3/4	100	6000
FSSRM1008	10-24 X 1	100	5000
FSSRM1010	10-24 X 1 1/4 *	100	4000
FSSRM1012	10-24 X 1 1/2*	100	4000
FSSRM1014	10-24 X 1 3/4	100	3000
FSSRM1016	10-24 X 2	100	2500
FSSRM1024	10-24 X 3	100	1600
FSSRM1028	10-24 X 3 1/2	100	1500
FSSRM1032	10-24 X 4	100	1200

Part #	Size	Shop Pack Quantity	Bulk Quantity
FSSRM1040	10-24 X 5	100	1000
FSSRM1210	12-24 X 1 1/4	100	3500
FSSRM1212	12-24 X 1 1/2	100	2500
FSSRM403	1/4-20 X 3/8	100	4000
FSSRM404	1/4-20 X 1/2*	100	4000
FSSRM406	1/4-20 X 3/4	100	3000
FSSRM408	1/4-20 X 1	100	2500
FSSRM410	1/4-20 X 1 1/4	100	2000
FSSRM412	1/4-20 X 1 1/2	100	2000
FSSRM414	1/4-20 X 1 3/4	100	1800
FSSRM416	1/4-20 X 2	100	1600
FSSRM420	1/4-20 X 2 1/2	100	1200
FSSRM504	5/16-18 X 1/2	100	2000
FSSRM506	5/16-18 X 3/4*	100	1600
FSSRM508	5/16-18 X 1	100	1400
FSSRM512	5/16-18 X 1 1/2*	100	1000
FSSRM514	5/16-18 X 1 3/4	100	1000
FSSRM516	5/16-18 X 2	100	900
FSSRM528	5/16-18 X 3 1/2	50	600
FSSRM532	5/16-18 X 4	50	500
FSSRM606	3/8-16 X 3/4	100	1200
FSSRM608	3/8-16 X 1*	100	1000
FSSRM612	3/8-16 X 1 1/2	100	800

*Lead time is 2-5 days on these sizes.

FINE THREAD • ZINC PLATED • IMPORTED

Part #	Size	Shop Pack Quantity	Bulk Quantity
FSSRMF1004	10-32 X 1/2	100	8000
FSSRMF1005	10-32 X 5/8	100	7000
FSSRMF1006	10-32 X 3/4	100	6000
FSSRMF1008	10-32 X 1*	100	5000
FSSRMF1010	10-32 X 1 1/4*	100	4000
FSSRMF1012	10-32 X 1 1/2*	100	3500

Part #	Size	Shop Pack Quantity	Bulk Quantity
FSSRMF1014	10-32 X 1 3/4	100	3000
FSSRMF1016	10-32 X 2	100	2500
FSSRMF1024	10-32 X 3	100	1600
FSSRMF1032	10-32 X 4	100	1200
FSSRMF1040	10-32 X 5	100	1000

*Lead time is 2-5 days on these sizes.

SLOTTED ROUND & TRUSS HEAD MACHINE SCREWS

SLOTTED ROUND HEAD MACHINE SCREWS *CONTINUED FROM PREVIOUS PAGE

18-8 STAINLESS STEEL • COARSE THREAD • IMPORTED

Part #	Size	Shop Pack Quantity
FSSSRM0604	6-32 X 1/2	100
FSSSRM0606	6-32 X 3/4	100
FSSSRM1006	10-24 X 3/4	100
FSSSRM1008	10-24 X 1	100

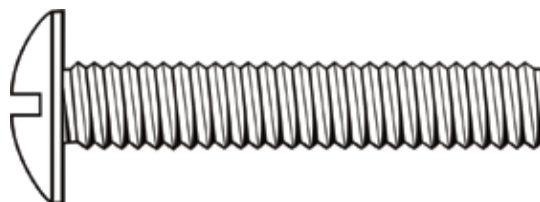
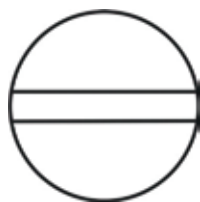
Part #	Size	Shop Pack Quantity
FSSSRM1010	10-24 X 1 1/4	100
FSSSRM1016	10-24 X 2	100
FSSSRM418	1/4-20 X 2 1/4	100

BRASS • COARSE THREAD • IMPORTED

Part #	Size	Shop Pack Quantity
FBSSRM508	5/16-18 X 1	100

SLOTTED TRUSS HEAD MACHINE SCREWS

COARSE THREAD • ZINC PLATED • IMPORTED



Part #	Size	Shop Pack Quantity	Bulk Quantity
FSSTM1003	10-24 X 3/8	100	9000
FSSTM1012	10-24 X 1 1/2	100	3500
FSSTM404	1/4-20 X 1/2	100	3500
FSSTM406	1/4-20 X 3/4	100	3000
FSSTM420	1/4-20 X 2 1/2	100	1200
FSSTM504	5/16-18 X 1/2	100	2000
FSSTM506	5/16-18 X 3/4	100	1600
FSSTM508	5/16-18 X 1	100	1400
FSSTM510	5/16-18 X 1 1/4	100	1200
FSSTM512	5/16-18 X 1 1/2	100	1000
FSSTM606	3/8-16 X 3/4	50	1200
FSSTM608	3/8-16 X 1	50	1000
FSSTM612	3/8-16 X 1 1/2	50	800

18-8 STAINLESS STEEL • COARSE THREAD • IMPORTED

Part #	Size	Shop Pack Quantity
FSSSSTM406	1/4-20 X 3/4	100
FSSSSTM408	1/4-20 X 1	100
FSSSSTM506	5/16-18 X 3/4	100

PHILLIPS FLAT HEAD MACHINE SCREWS

COARSE THREAD • ZINC PLATED • IMPORTED



Part #	Size	Shop Pack Quantity	Bulk quantity
FSPF0404	4-40 X 1/2	100	25000
FSPF0602	6-32 X 1/4	100	25000
FSPF0603	6-32 X 3/8	100	20000
FSPF0604	6-32 X 1/2	100	15000
FSPF0606	6-32 X 3/4	100	12000
FSPF0608	6-32 X 1*	100	12000
FSPF0610	6-32 X 1 1/4	100	9000
FSPF0612	6-32 X 1 1/2	100	7000
FSPF0803	8-32 X 3/8	100	14000
FSPF0804	8-32 X 1/2	100	12000
FSPF0805	8-32 X 5/8	100	10000
FSPF0806	8-32 X 3/4	100	8000
FSPF0808	8-32 X 1	100	7000
FSPF1004	10-24 X 1/2	100	8000
FSPF1005	10-24 X 5/8	100	7500
FSPF1006	10-24 X 3/4	100	7000
FSPF1008	10-24 X 1	100	5000
FSPF1010	10-24 X 1 1/4	100	4000
FSPF1012	10-24 X 1 1/2	100	4000
FSPF1014	10-24 X 1 3/4	100	3000
FSPF1016	10-24 X 2	100	2500
FSPF1020	10-24 X 2 1/2	100	2000
FSPF1024	10-24 X 3	100	1600

Part #	Size	Shop Pack Quantity	Bulk quantity
FSPF1028	10-24 X 3 1/2	100	1500
FSPFF1004	10-32 X 1/2†	100	8000
FSPF1208	12-24 X 1	100	4000
FSPF1210	12-24 X 1 1/4	100	3500
FSPF1216	12-24 X 2	100	2500
FSPF1220	12-24 X 2 1/2	100	2000
FSPF404	1/4-20 X 1/2	100	4000
FSPF405	1/4-20 X 5/8	100	3500
FSPF406	1/4-20 X 3/4	100	3000
FSPF408	1/4-20 X 1	100	2500
FSPF410	1/4-20 X 1 1/4	100	2000
FSPF412	1/4-20 X 1 1/2	100	2000
FSPF414	1/4-20 X 1 3/4	100	1800
FSPF416	1/4-20 X 2	100	1600
FSPF418	1/4-20 X 2 1/4	100	1400
FSPF420	1/4-20 X 2 1/2	100	1200
FSPF504	5/16-18 X 1/2	100	3000
FSPF506	5/16-18 X 3/4*	100	2000
FSPF508	5/16-18 X 1	100	1400
FSPF512	5/16-18 X 1 1/2	100	1400
FSPF516	5/16-18 X 2	100	900
FSPF520	5/16-18 X 2 1/2	100	800

*Lead time is 2-5 days on this size.

†Fine Thread.

18-8 STAINLESS STEEL • COARSE THREAD • IMPORTED

Part #	Size	Shop Pack Quantity
FSSSPF0604	6-32 X 1/2	100
FSSSPF0606	6-32 X 3/4	100
FSSSPF0803	8-32 X 3/8	100
FSSSPF0804	8-32 X 1/2	100
FSSSPF0820	8-32 X 2 1/2	100
FSSSPF1005	10-24 X 5/8	100
FSSSPF1006	10-24 X 3/4	100
FSSSPF1008	10-24 X 1	100
FSSSPF1010	10-24 X 1 1/4	100
FSSSPF1012	10-24 X 1 1/2	100

Part #	Size	Shop Pack Quantity
FSSSPF1014	10-24 X 1 3/4	100
FSSSPF1016	10-24 X 2	100
FSSSPF1020	10 X 2 1/2	100
FSSSPF406	1/4-20 X 3/4	100
FSSSPF408	1/4-20 X 1	100
FSSSPF410	1/4-20 X 1 1/4	100
FSSSPF412	1/4-20 X 1 1/2	100
FSSSPF510	5/16-18 X 1 1/4	100
FSSSPF516	5/16-18 X 2	100
FSSSPF608	3/8-16 X 1	100

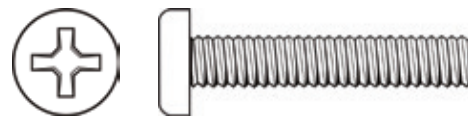
18-8 STAINLESS STEEL • FINE THREAD • IMPORTED

Part #	Size	Shop Pack Quantity
FSSSPFF1008	10-32 X 1	100
FSSSPFF1010	10-32 X 1 1/4	100

Don't see the size you're looking for? Call us for availability!

PHILLIPS PAN HEAD MACHINE SCREWS

COARSE THREAD • ZINC PLATED • IMPORTED



Part #	Size	Shop Pack Quantity	Bulk Quantity
FSPPM04015	4-40 X 3/16	100	40000
FSPPM0402	4-40 X 1/4	100	40000
FSPPM0403	4-40 X 3/8	100	25000
FSPPM0404	4-40 X 1/2	100	25000
FSPPM0405	4-40 X 5/8	100	20000
FSPPM0406	4-40 X 3/4	100	20000
FSPPM0408	4-40 X 1	100	15000
FSPPM0412	4-40 X 1 1/2	100	12000
FSPPM0602	6-32 X 1/4	100	25000
FSPPM0603	6-32 X 3/8	100	20000
FSPPM0604	6-32 X 1/2	100	15000
FSPPM0605	6-32 X 5/8	100	15000
FSPPM0606	6-32 X 3/4	100	12000
FSPPM0608	6-32 X 1	100	10000
FSPPM0610	6-32 X 1 1/4	100	9000
FSPPM0612	6-32 X 1 1/2	100	7000
FSPPM0616	6-32 X 2	100	5000
FSPPM0802	8-32 X 1/4	100	15000
FSPPM0803	8-32 X 3/8	100	12000
FSPPM0804	8-32 X 1/2	100	10000
FSPPM0805	8-32 X 5/8	100	10000
FSPPM0806	8-32 X 3/4	100	8000
FSPPM0807	8-32 X 7/8	100	7500
FSPPM0808	8-32 X 1	100	7000
FSPPM0810	8-32 X 1 1/4	100	6000
FSPPM0812	8-32 X 1 1/2	100	5000
FSPPM0814	8-32 X 1 3/4	100	4000
FSPPM0816	8-32 X 2	100	4000
FSPPM0820	8-32 X 2 1/2	100	3000
FSPPM0824	8-32 X 3	100	2500
FSPPM0832	8-32 X 4	100	-
FSPPM1002	10-24 X 1/4	100	10000

Part #	Size	Shop Pack Quantity	Bulk Quantity
FSPPM1003	10-24 X 3/8	100	9000
FSPPM1004	10-24 X 1/2	100	8000
FSPPM1005	10-24 X 5/8	100	7000
FSPPM1006	10-24 X 3/4	100	6000
FSPPM1008	10-24 X 1	100	5000
FSPPM1010	10-24 X 1 1/4	100	4000
FSPPM1012	10-24 X 1 1/2	100	4000
FSPPM1014	10-24 X 1 3/4	100	3000
FSPPM1016	10-24 X 2	100	2500
FSPPM1020	10-24 X 2 1/2	100	2000
FSPPM1024	10-24 X 3	100	1600
FSPPM1204	12-24 X 1/2	100	6000
FSPPM1205	12-24 X 5/8	100	4000
FSPPM1206	12-24 X 3/4	100	4000
FSPPM1208	12-24 X 1	100	2000
FSPPM1210	12-24 X 1 1/4	100	2000
FSPPM1212	12-24 X 1 1/2	100	2000
FSPPM1216	12-24 X 2	100	1250
FSPPM403	1/4-20 X 3/8	100	4000
FSPPM404	1/4-20 X 1/2	100	3500
FSPPM405	1/4-20 X 5/8	100	3500
FSPPM406	1/4-20 X 3/4	100	3000
FSPPM408	1/4-20 X 1	100	2500
FSPPM410	1/4-20 X 1 1/4	100	2000
FSPPM412	1/4-20 X 1 1/2	100	2000
FSPPM414	1/4-20 X 1 3/4	100	1800
FSPPM416	1/4-20 X 2	100	1600
FSPPM420	1/4-20 X 2 1/2	100	1200
FSPPM506	5/16-18 X 3/4	100	1600
FSPPM508	5/16-18 X 1	100	1400
FSPPM510	5/16-18 X 1 1/4	100	1200

FINE THREAD • ZINC PLATED • IMPORTED

Part #	Size	Shop Pack Quantity	Bulk Quantity
FSPPMF1002	10-32 X 1/4	100	10000
FSPPMF1003	10-32 X 3/8	100	8000
FSPPMF1004	10-32 X 1/2	100	7000
FSPPMF1005	10-32 X 5/8	100	6000
FSPPMF1006	10-32 X 3/4	100	6000
FSPPMF1008	10-32 X 1	100	5000

Part #	Size	Shop Pack Quantity	Bulk Quantity
FSPPMF1010	10-32 X 1 1/4	100	4000
FSPPMF1012	10-32 X 1 1/2	100	3500
FSPPMF1016	10-32 X 2	100	2500
FSPPMF1024	10-32 X 3	100	1600
FSPPMF1032	10-32 X 4	100	-

PHILLIPS PAN HEAD MACHINE SCREWS & SLOT/PHIL COMBO ROUND HEAD MACHINE SCREWS

PHILLIPS PAN HEAD MACHINE SCREWS *CONTINUED FROM PREVIOUS PAGE

18-8 STAINLESS STEEL • COARSE THREAD • IMPORTED

Part #	Size	Shop Pack Quantity
FSSSPPM0602	6-32 X 1/4	100
FSSSPPM0604	6-32 X 1/2	100
FSSSPPM0605	6-32 X 5/8	100
FSSSPPM0606	6-32 X 3/4	100
FSSSPPM0608	6-32 X 1	100
FSSSPPM0612	6-32 X 1 1/2	100
FSSSPPM0803	8-32 X 3/8	100
FSSSPPM0804	8-32 X 1/2	100
FSSSPPM0805	8-32 X 5/8	100
FSSSPPM0806	8-32 X 3/4	100
FSSSPPM0808	8-32 X 1	100
FSSSPPM0809	8-32 X 1 1/8	100
FSSSPPM0810	8-32 X 1 1/4	100
FSSSPPM0812	8-32 X 1 1/2	100
FSSSPPM0816	8-32 X 2	100
FSSSPPM1003	10-24 X 3/8	100
FSSSPPM1004	10-24 X 1/2	100
FSSSPPM1005	10-24 X 5/8	100
FSSSPPM1006	10-24 X 3/4	100
FSSSPPM1008	10-24 X 1	100

Part #	Size	Shop Pack Quantity
FSSSPPM1010	10-24 X 1 1/4	100
FSSSPPM1012	10-24 X 1 1/2	100
FSSSPPM1016	10-24 X 2	100
FSSSPPM1018	10-24 X 2 1/4	100
FSSSPPM1020	10-24 X 2 1/2	100
FSSSPPM1024	10-24 X 3	100
FSSSPPM1028	10-24 X 3 1/2	100
FSSSPPM1204	12-24 X 1/2	100
FSSSPPM1206	12-24 X 3/4	100
FSSSPPM1208	12-24 X 1	100
FSSSPPM1212	12-24 X 1 1/2	100
FSSSPPM403	1/4-20 X 3/8	100
FSSSPPM404	1/4-20 X 1/2	100
FSSSPPM406	1/4-20 X 3/4	100
FSSSPPM408	1/4-20 X 1	100
FSSSPPM410	1/4-20 X 1 1/4	100
FSSSPPM412	1/4-20 X 1 1/2	100
FSSSPPM416	1/4-20 X 2	100
FSSSPPM420	1/4-20 X 2 1/2	100
FSSSPPM424	1/4-20 X 3	100

18-8 STAINLESS STEEL • FINE THREAD • IMPORTED

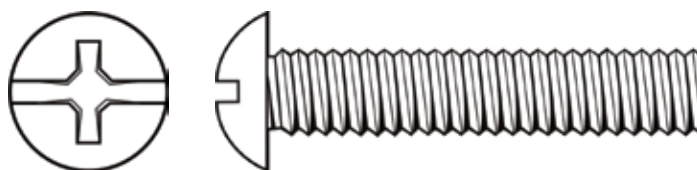
Part #	Size	Shop Pack Quantity
FSSSPPMF1002	10-32 X 1/4	100
FSSSPPMF10025	10-32 X 5/16	100
FSSSPPMF1003	10-32 X 3/8	100
FSSSPPMF10035	10-32 X 7/16	100
FSSSPPMF1004	10-32 X 1/2	100
FSSSPPMF1006	10-32 X 3/4	100

Part #	Size	Shop Pack Quantity
FSSSPPMF1008	10-32 X 1	100
FSSSPPMF1010	10-32 X 1 1/4	100
FSSSPPMF1012	10-32 X 1 1/2	100
FSSSPPMF1016	10-32 X 2	100
FSSSPPMF1020	10-32 X 2-1/2	100

SLOT/PHIL COMBO ROUND HEAD MACHINE SCREWS

COARSE THREAD • ZINC PLATED • IMPORTED

Part #	Size	Shop Pack Quantity	Bulk Quantity
FSCRM404	1/4-20 X 1/2	100	4000
FSCRM406	1/4-20 X 3/4	100	3000
FSCRM408	1/4-20 X 1	100	2500
FSCRM410	1/4-20 X 1 1/4	100	2000

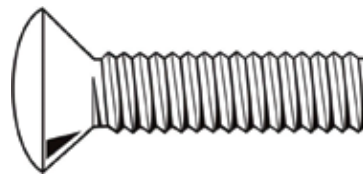


Don't see the size you're looking for? Call us for availability!

PHILLIPS OVAL HEAD MACHINE SCREWS & INDENTED HEX HEAD MACHINE SCREWS (NO WASHER)

PHILLIPS OVAL HEAD MACHINE SCREWS COARSE THREAD • ZINC PLATED • IMPORTED

Part #	Size	Shop Pack Quantity	Bulk Quantity
FSPOM0804	8-32 X 1/2	100	14000



18-8 STAINLESS STEEL • COARSE THREAD • IMPORTED

Part #	Size	Shop Pack Quantity
FSSSPOM0804	8-32 X 1/2	100
FSSSPOM0805	8-32 X 5/8	100
FSSSPOM0806	8-32 X 3/4	100

Don't see the size you're looking for? Call us for availability!

INDENTED HEX HEAD MACHINE SCREWS (NO WASHER) COARSE THREAD • ZINC PLATED • IMPORTED

Part #	Size	Shop Pack Quantity	Bulk Quantity
FSHM0810	8-32 X 1 1/4	100	4000
FSHM0812	8-32 X 1 1/2	100	3000
FSHM0814	8-32 X 1 3/4	100	2500
FSHM1003	10-24 X 3/8	100	8000
FSHM1004	10-24 X 1/2	100	8000
FSHM1006	10-24 X 3/4	100	6000



Part #	Size	Shop Pack Quantity	Bulk Quantity
FSHM1008	10-24 X 1	100	5000
FSHM1010	10-24 X 1 1/4	100	4000
FSHM1012	10-24 X 1 1/2	100	3500
FSHM1020	10-24 X 2 1/2	100	1000
FSHM1022	10-24 X 2 3/4	100	1000
FSHM1205	12-24 X 5/8	100	4000

18-8 STAINLESS STEEL • COARSE THREAD • IMPORTED

Part #	Size	Shop Pack Quantity
FSSSHM0804	8-32 X 1/2	100
FSSSHM0806	8-32 X 3/4	100
FSSSHM0808	8-32 X 1	100
FSSSHM1004	10-24 X 1/2	100
FSSSHM1006	10-24 X 3/4	100
FSSSHM1008	10-24 X 1	100
FSSSHM1012	10-24 X 1 1/2	100

FINE THREAD • ZINC PLATED • IMPORTED

Part #	Size	Shop Pack Quantity
FSHMF1003	10-32 X 3/8	100
FSHMF1006	10-32 X 3/4	100
FSHMF1008	10-32 X 1	100
FSHMF1012	10-32 X 1 1/2	100

PHILLIPS TRUSS HEAD MACHINE SCREWS & INDENTED HEX WASHER HEAD MACHINE SCREWS

PHILLIPS TRUSS HEAD MACHINE SCREWS

COARSE THREAD • ZINC PLATED • IMPORTED

Part #	Size	Shop Pack Quantity	Bulk Quantity
FSPTM0803	8-32 X 3/8	100	12000
FSPTM0804	8-32 X 1/2	100	10000
FSPTM0805	8-32 X 5/8	100	9000
FSPTM0806	8-32 X 3/4	100	8000
FSPTM0807	8-32 X 7/8	100	7500
FSPTM0808	8-32 X 1	100	7000
FSPTM0812	8-32 X 1 1/2	100	5000

Part #	Size	Shop Pack Quantity	Bulk Quantity
FSPTM0814	8-32 X 1 3/4	100	4000
FSPTM1004	10-24 X 1/2	100	7000
FSPTM1005	10-24 X 5/8	100	7000
FSPTM1012	10-24 X 1 1/2	100	3500
FSPTM404	1/4-20 X 1/2	100	4000
FSPTM408	1/4-20 X 1	100	2500
FSPTM506	5/16-18 X 3/4	100	1600

18-8 STAINLESS STEEL • COARSE THREAD • IMPORTED

Part #	Size	Shop Pack Quantity
FSSSPTM1003	10-24 X 3/8	100
FSSSPTM404	1/4-20 X 1/2	100
FSSSPTM408	1/4-20 X 1	100
FSSSPTM412	1/4-20 X 1 1/2	100

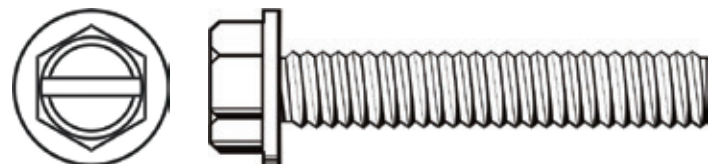
18-8 STAINLESS STEEL • FINE THREAD • IMPORTED

Part #	Size	Shop Pack Quantity
FSSSPTMF01003	10-32 X 3/8	100

INDENTED HEX WASHER HEAD MACHINE SCREWS

COARSE THREAD • ZINC PLATED • IMPORTED

Part #	Size	Shop Pack Quantity	Bulk Quantity
FSHWM0603	6-32 X 3/8	100	10000
FSHWM0812	8-32 X 1 1/2	100	3000
FSHWM1012	10-24 X 1 1/2	100	3500
FSHWMF1012	10-32 X 1 1/2*	100	2500



*Fine Thread

18-8 STAINLESS STEEL • COARSE THREAD • IMPORTED

Part #	Size	Shop Pack Quantity
FSSSHWM0804	8-32 X 1/2	100

PHILLIPS FLAT HEAD SHEET METAL SCREWS

TYPE A OR AB • ZINC PLATED • IMPORTED



Sheet Metal Screws are designed especially for fastening sheet metal to a variety of materials. They are hardened and are designed for self starting in metal 0.050" or less.

Part #	Size	Phillips Size	Shop Pack Quantity	Bulk Quantity
FSPFSM0403	4 X 3/8	#1	100	33300
FSPFSM0404	4 X 1/2	#1	100	30700
FSPFSM0406	4 X 3/4	#1	100	17300
FSPFSM0412	4 X 1 1/2	#1	100	-
FSPFSM0504	5 X 1/2	#2	100	22000
FSPFSM0506	5 X 3/4	#2	100	14700
FSPFSM0604	6 X 1/2	#2	100	17300
FSPFSM0606	6 X 3/4	#2	100	12000
FSPFSM0608	6 X 1	#2	100	8700
FSPFSM0610	6 X 1 1/4	#2	100	6300
FSPFSM0612	6 X 1 1/2	#2	100	5000
FSPFSM0616	6 X 2	#2	100	3300
FSPFSM0804	8 X 1/2	#2	100	12000
FSPFSM0805	8 X 5/8	#2	100	10000
FSPFSM0806	8 X 3/4	#2	100	8000
FSPFSM0807	8 X 7/8	#2	100	6700
FSPFSM0808	8 X 1	#2	100	6000
FSPFSM0810	8 X 1 1/4	#2	100	4300
FSPFSM0812	8 X 1 1/2	#2	100	3300
FSPFSM0814	8 X 1 3/4	#2	100	2700

Part #	Size	Phillips Size	Shop Pack Quantity	Bulk Quantity
FSPFSM0816	8 X 2	#2	100	2400
FSPFSM0818	8 X 2 1/4	#2	100	2000
FSPFSM0820	8 X 2 1/2	#2	100	1700
FSPFSM0824	8 X 3	#2	100	1300
FSPFSM1004	10 X 1/2	#2	100	8700
FSPFSM1006	10 X 3/4	#2	100	6000
FSPFSM1008	10 X 1	#2	100	4300
FSPFSM1010	10 X 1 1/4	#2	100	3300
FSPFSM1012	10 X 1 1/2	#2	100	2700
FSPFSM1014	10 X 1 3/4	#2	100	2300
FSPFSM1016	10 X 2	#2	100	1900
FSPFSM1020	10 X 2 1/2	#2	100	1300
FSPFSM1204	12 X 1/2	#3	100	6700
FSPFSM1206	12 X 3/4	#3	100	4700
FSPFSM1210	12 X 1 1/4	#3	100	2700
FSPFSM1212	12 X 1 1/2	#3	100	2300
FSPFSM1216	12 X 2	#3	100	1700
FSPFSM1220	12 X 2 1/2	#3	100	1200
FSPFSM1224	12 X 3	#3	100	1000
FSPFSM1408	14 X 1	#3	100	2700

18-8 STAINLESS STEEL • TYPE A • IMPORTED

Part #	Size	Phillips Size	Shop Pack Quantity
FSSSPFSM0404	4 X 1/2	#1	100
FSSSPFSM0406	4 X 3/4	#1	100
FSSSPFSM0408	4 X 1	#1	100
FSSSPFSM0604	6 X 1/2	#2	100
FSSSPFSM0605	6 X 5/8	#2	100
FSSSPFSM0606	6 X 3/4	#2	100
FSSSPFSM0608	6 X 1	#2	100
FSSSPFSM0804	8 X 1/2	#2	100
FSSSPFSM0805	8 X 5/8	#2	100
FSSSPFSM0806	8 X 3/4	#2	100
FSSSPFSM0808	8 X 1	#2	100

Part #	Size	Phillips Size	Shop Pack Quantity
FSSSPFSM0810	8 X 1 1/4	#2	100
FSSSPFSM0812	8 X 1 1/2	#2	100
FSSSPFSM0814	8 X 1 3/4	#2	100
FSSSPFSM0816	8 X 2	#2	100
FSSSPFSM0820	8 X 2 1/2	#2	100
FSSSPFSM1006	10 X 3/4	#2	100
FSSSPFSM1008	10 X 1	#2	100
FSSSPFSM1010	10 X 1 1/4	#2	100
FSSSPFSM1012	10 X 1 1/2	#2	100
FSSSPFSM1016	10 X 2	#2	100

PHILLIPS PAN HEAD SHEET METAL SCREWS

TYPE A OR AB • ZINC PLATED • IMPORTED



Part #	Size	Phillips Size	Shop Pack Quantity	Bulk Quantity
FSPPSM0402	4 X 1/4	#1	100	33300
FSPPSM0403	4 X 3/8	#1	100	29300
FSPPSM0404	4 X 1/2	#1	100	22700
FSPPSM0406	4 X 3/4	#1	100	15300
FSPPSM0602	6 X 1/4	#2	100	22700
FSPPSM0603	6 X 3/8	#2	100	17300
FSPPSM0604	6 X 1/2	#2	100	14000
FSPPSM0605	6 X 5/8	#2	100	11300
FSPPSM0606	6 X 3/4	#2	100	9300
FSPPSM0608	6 X 1	#2	100	6700
FSPPSM0610	6 X 1 1/4	#2	100	5300
FSPPSM0612	6 X 1 1/2	#2	100	4000
FSPPSM0616	6 X 2	#2	100	2700
FSPPSM0802	8 X 1/4	#2	100	14700
FSPPSM0803	8 X 3/8	#2	100	11300
FSPPSM0804	8 X 1/2	#2	100	9300
FSPPSM0805	8 X 5/8	#2	100	7300
FSPPSM0806	8 X 3/4	#2	100	6300
FSPPSM0807	8 X 7/8	#2	100	5300
FSPPSM0808	8 X 1	#2	100	4700
FSPPSM0810	8 X 1 1/4	#2	100	3700
FSPPSM0812	8 X 1 1/2	#2	100	3000
FSPPSM0816	8 X 2	#2	100	2100
FSPPSM0820	8 X 2 1/2	#2	100	1700
FSPPSM0824	8 X 3	#2	100	1200
FSPPSM0832	8 X 4	#2	100	1200
FSPPSM1003	10 X 3/8	#2	100	8000
FSPPSM1004	10 X 1/2	#2	100	6700
FSPPSM1005	10 X 5/8	#2	100	5300
FSPPSM1006	10 X 3/4	#2	100	4700
FSPPSM1007	10 X 7/8	#2	100	4000
FSPPSM1008	10 X 1	#2	100	3700
FSPPSM1010	10 X 1 1/4	#2	100	2900
FSPPSM1012	10 X 1 1/2	#2	100	2300
FSPPSM1016	10 X 2	#2	100	1700
FSPPSM1024	10 X 3	#2	100	1000
FSPPSM1204	12 X 1/2	#3	100	5000
FSPPSM1205	12 X 5/8	#3	100	4000
FSPPSM1206	12 X 3/4	#3	100	3700
FSPPSM1208	12 X 1	#3	100	2900
FSPPSM1210	12 X 1 1/4	#3	100	2300
FSPPSM1212	12 X 1 1/2	#3	100	2000
FSPPSM1406	14 X 3/4	#3	100	2700
FSPPSM1408	14 X 1	#3	100	2100
FSPPSM1410	14 X 1 1/4	#3	100	1700
FSPPSM1412	14 X 1 1/2	#3	100	1300
FSPPSM1416	14 X 2	#3	100	1000

18-8 STAINLESS STEEL • TYPE A • IMPORTED

Part #	Size	Phillips Size	Shop Pack Quantity
FSSPPSM0404	4 X 1/2	#1	100
FSSPPSM0406	4 X 3/4	#1	100
FSSPPSM0604	6 X 1/2	#2	100
FSSPPSM0605	6 X 5/8	#2	100
FSSPPSM0606	6 X 3/4	#2	100
FSSPPSM0608	6 X 1	#2	100
FSSPPSM0610	6 X 1 1/4	#2	100
FSSPPSM0612	6 X 1 1/2	#2	100
FSSPPSM0804	8 X 1/2	#2	100
FSSPPSM0806	8 X 3/4	#2	100
FSSPPSM0808	8 X 1	#2	100
FSSPPSM0810	8 X 1 1/4	#2	100
FSSPPSM0812	8 X 1 1/2	#2	100
FSSPPSM0814	8 X 1 3/4	#2	100
FSSPPSM0816	8 X 2	#2	100
FSSPPSM0820	8 X 2 1/2	#2	100
FSSPPSM1004	10 X 1/2	#2	100
FSSPPSM1005	10 X 5/8	#2	100
FSSPPSM1006	10 X 3/4	#2	100
FSSPPSM1008	10 X 1	#2	100
FSSPPSM1010	10 X 1 1/4	#2	100
FSSPPSM1012	10 X 1 1/2	#2	100
FSSPPSM1016	10 X 2	#2	100
FSSPPSM1018	10 X 2 1/4	#2	100
FSSPPSM1020	10 X 2 1/2	#2	100
FSSPPSM1024	10 X 3	#2	100
FSSPPSM1204	12 X 1/2	#2	100
FSSPPSM1206	12 X 3/4	#2	100
FSSPPSM1208	12 X 1	#2	100
FSSPPSM1212	12 X 1 1/2	#2	100
FSSPPSM1220	12 X 2 1/2	#2	100
FSSPPSM1406	14 X 3/4	#2	100
FSSPPSM1408	14 X 1	#2	100
FSSPPSM1410	14 X 1 1/4	#2	100
FSSPPSM1412	14 X 1 1/2	#2	100
FSSPPSM1416	14 X 2	#2	100

PHILLIPS TRUSS OVAL HEAD SHEET METAL SCREWS & SLOT/PHIL COMBO PAN HEAD SHEET METAL SCREWS

PHILLIPS TRUSS HEAD SHEET METAL SCREWS

TYPE A OR AB • ZINC PLATED • IMPORTED

Part #	Size	Phillips Size	Shop Pack Quantity	Bulk Quantity
FSPTSM0804	8 X 1/2	#2	100	9300
FSPTSM0805	8 X 5/8	#2	100	6000
FSPTSM0812	8 X 1 1/2	#2	100	3000
FSPTSM1004	10 X 1/2	#2	100	6700



18-8 STAINLESS STEEL • TYPE A • IMPORTED

Part #	Size	Phillips Size	Shop Pack Quantity
FSSPTSM0806	8 X 3/4	#2	100
FSSPTSM0808	8 X 1	#2	100
FSSPTSM1024	10 X 3	#2	100

PHILLIPS OVAL HEAD SHEET METAL SCREWS

TYPE A OR AB • ZINC PLATED • IMPORTED



Part #	Size	Phillips Size	Shop Pack Quantity	Bulk Quantity
FSPOSM0603	6 X 3/8	#2	100	17300
FSPOSM0606	6 X 3/4	#2	100	6000
FSPOSM0610	6 X 1 1/4	#2	100	3500
AV02359	8 X 3/4	#2	100	4000
FSPOSM0810	8 X 1 1/4	#2	100	2500
AV02362	8 X 1 1/2	#2	100	2000
FSPOSM0816	8 X 2	#2	100	1700
FSPOSM1010	10 X 1 1/4	#2	100	2000
FSPOSM1212	12 X 1 1/2	#3	100	2000

18-8 STAINLESS STEEL • TYPE A • IMPORTED

Part #	Size	Phillips Size	Shop Pack Quantity
FSSSPOSM0408	4 X 1	#1	100
FSSSPOSM0603	6 X 3/8	#2	100
FSSSPOSM0610	6 X 1 1/4	#2	100
FSSSPOSM0804	8 X 1/2	#2	100
FSSSPOSM0805	8 X 5/8	#2	100
FSSSPOSM0806	8 X 3/4	#2	100
FSSSPOSM0808	8 X 1	#2	100
FSSSPOSM0810	8 X 1 1/4	#2	100
FSSSPOSM0812	8 X 1 1/2	#2	100
FSSSPOSM0816	8 X 2	#2	100
FSSSPOSM1008	10 X 1	#2	100
FSSSPOSM1010	10 X 1 1/4	#2	100
FSSSPOSM1206	12 X 3/4	#3	100

SLOT/PHIL COMBO PAN HEAD SHEET METAL SCREWS

TYPE A • ZINC PLATED • IMPORTED

Part #	Size	Shop Pack Quantity	Bulk Quantity
FSCPSM1204	12 X 1/2	100	3000
FSCPSM1206	12 X 3/4	100	2500
FSCPSM1208	12 X 1	100	2000



SQUARE FLAT & PAN HEAD SHEET METAL SCREWS

SQUARE FLAT HEAD SHEET METAL SCREWS

TYPE A OR AB • ZINC PLATED • IMPORTED



Part #	Size	Square Size	Shop Pack Quantity	Bulk Quantity
FSSFMS0604	6 X 1/2	#1	100	6500
FSSFMS0605	6 X 5/8	#1	100	5500
FSSFMS0606	6 X 3/4	#1	100	5000
FSSFMS0608	6 X 1	#1	100	4250
FSSFMS0610	6 X 1 1/4	#1	100	4000
FSSFMS0612	6 X 1 1/2	#1	100	3750
FSSFMS0804	8 X 1/2	#2	100	10000
FSSFMS0805	8 X 5/8	#2	100	5000
FSSFMS0806	8 X 3/4	#2	100	5000
FSSFMS0808	8 X 1	#2	100	4500
FSSFMS0810	8 X 1 1/4	#2	100	3250
FSSFMS0812	8 X 1 1/2	#2	100	2500
FSSFMS0814	8 X 1 3/4	#2	100	2000
FSSFMS0816	8 X 2	#2	100	1800
FSSFMS1006	10 X 3/4	#2	100	4500
FSSFMS1008	10 X 1	#2	100	3250
FSSFMS1016	10 X 2	#2	100	1400

SQUARE PAN HEAD SHEET METAL SCREWS

TYPE A OR AB • ZINC PLATED • IMPORTED



Part #	Size	Square Size	Shop Pack Quantity	Bulk Quantity
FSSPSM0604	6 X 1/2	#1	100	7000
FSSPSM0605	6 X 5/8	#1	100	5500
FSSPSM0606	6 X 3/4	#1	100	5000
FSSPSM0608	6 X 1	#1	100	4500
FSSPSM0610	6 X 1 1/4	#1	100	4000
FSSPSM0612	6 X 1 1/2	#1	100	3000
FSSPSM0803	8 X 3/8	#2	100	5500
FSSPSM0804	8 X 1/2	#2	100	7000
FSSPSM0805	8 X 5/8	#2	100	5500
FSSPSM0806	8 X 3/4	#2	100	4000
FSSPSM0808	8 X 1	#2	100	3000
FSSPSM0810	8 X 1 1/4	#2	100	2500
FSSPSM0812	8 X 1 1/2	#2	100	2000
FSSPSM0814	8 X 1 3/4	#2	100	1900
FSSPSM0816	8 X 2	#2	100	1700
FSSPSM1006	10 X 3/4	#2	100	3000
FSSPSM1012	10 X 1 1/2	#2	100	1700

HEX WASHER HEAD SHEET METAL SCREWS & HEX HEAD SHEET METAL SCREWS

HEX WASHER HEAD SHEET METAL SCREWS

TYPE A OR AB • ZINC PLATED • IMPORTED



Part #	Size	Shop Pack Quantity	Bulk Quantity
FSHWSM0804	8 X 1/2	100	9300
FSHWSM0806	8 X 3/4	100	6300
FSHWSM0808	8 X 1	100	4500
FSHWSM0812	8 X 1 1/2	100	3000
FSHWSM0816	8 X 2	100	2000
FSHWSM1004	10 X 1/2	100	6700
FSHWSM1006	10 X 3/4	100	4700
FSHWSM1008	10 X 1	100	3500
FSHWSM1010	10 X 1 1/4	100	2500
FSHWSM1012	10 X 1 1/2	100	2300
FSHWSM1016	10 X 2	100	1700
FSHWSM1020	10 X 2 1/2	100	1300
FSHWSM1024	10 X 3	100	1000
FSHWSM1208	12 X 1	100	2500
FSHWSM1210	12 X 1 1/4	100	2000
FSHWSM1212	12 X 1 1/2	100	1700

Part #	Size	Shop Pack Quantity	Bulk Quantity
FSHWSM1216	12 X 2	100	1200
FSHWSM1220	12 X 2 1/2	100	1000
FSHWSM1404	14 X 1/2	100	2500
FSHWSM1405	14 X 5/8	100	2000
FSHWSM1406	14 X 3/4	100	2700
FSHWSM1408	14 X 1	100	2100
FSHWSM1410	14 X 1 1/4	100	1700
FSHWSM1412	14 X 1 1/2	100	1300
FSHWSM1416	14 X 2	100	1000
FSHWSM1420	14 X 2 1/2	100	800
FSHWSM1424	14 X 3	100	700
FSHWSM506	5/16 X 3/4	100	-
FSHWSM508	5/16 X 1	100	-
FSHWSM510	5/16 X 1 1/4	100	-
FSHWSM608	3/8 X 1	100	-

18-8 STAINLESS STEEL • TYPE A • IMPORTED

Part #	Size	Shop Pack Quantity
FSSSHWSM1004	10 X 1/2	100
FSSSHWSM1006	10 X 3/4	100
FSSSHWSM1008	10 X 1	100
FSSSHWSM1010	10 X 1 1/4	100
FSSSHWSM1012	10 X 1 1/2	100

Part #	Part #	Part #
FSSSHWSM1206	12 X 3/4	100
FSSSHWSM1208	12 X 1	100
FSSSHWSM1406	14 X 3/4	100
FSSSHWSM1412	14 X 1 1/2	100
FSSSHWSM1424	14 X 3	100

Don't see the size you're looking for? Call us for availability!

HEX HEAD SHEET METAL SCREWS

TYPE A • ZINC PLATED • IMPORTED

Part #	Size	Shop Pack Quantity	Bulk Quantity
FSHSM1406	14 X 3/4	100	4000
FSHSM508	5/16 X 1	100	2200
FSHSM510	5/16 X 1 1/4	100	2000
FSHSM512	5/16 X 1 1/2	100	1500

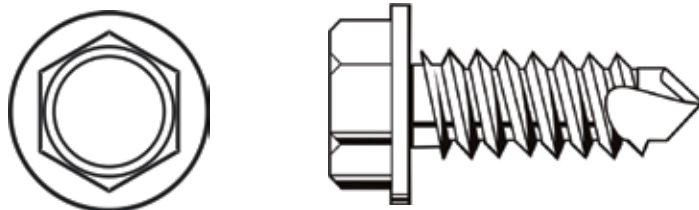


HEX WASHER HEAD SELF DRILLING SCREWS (TEK SCREWS)

HEX WASHER HEAD SELF DRILLING SCREWS (TEK SCREWS)

ZINC PLATED • IMPORTED

Self Drilling Screws are hardened and are designed to drill their own way through metal removing the step of pre-drilling holes. Wood to Metal self drilling screws have wings which enlarge the hole in the wood then break off when they reach the metal so the wood will draw tight to the metal.



Part #	Size	Drill Point	Shop Pack Quantity	Bulk Quantity
FTS0604	6 X 1/2	#2	100	10000
FTS0606	6 X 3/4	#2	100	6700
FTS0608	6 X 1	#3	100	6700
FTS0610	6 X 1 1/4	#3	100	5300
FTS0612	6 X 1 1/2	#3	100	4000
FTS0804	8 X 1/2	#2	100	6700
FTS0805	8 X 5/8	#2	100	6700
FTS0806	8 X 3/4	#3	100	6700
FTS0808	8 X 1	#3	100	5000
FTS0810	8 X 1 1/4	#3	100	4000
FTS0812	8 X 1 1/2	#3	100	3300
FTS0814	8 X 1 3/4	#3	100	2000
FTS0816	8 X 2	#3	100	1700
FTS1004	10 X 1/2	#2	100	6700
FTS1005	10 X 5/8	#3	100	5000
FTS1006	10 X 3/4	#3	100	4700
FTS1008	10 X 1	#3	100	3300
FTS1010	10 X 1 1/4	#3	100	2700
FTS1012	10 X 1 1/2	#3	100	1700
FTS1016	10 X 2	#3	100	1300
FTS1020	10 X 2 1/2	#3	100	1000

Part #	Size	Drill Point	Shop Pack Quantity	Bulk Quantity
FTS1206	12 X 3/4	#3	100	3300
FTS1208	12 X 1	#3	100	2300
FTS1210	12 X 1 1/4	#3	100	1700
FTS1212	12 X 1 1/2	#3	100	1700
FTS1214	12 X 1 3/4	#3	100	1300
FTS1216	12 X 2	#3	100	1300
FTS1406	14 X 3/4	#3	100	2300
FTS1408	14 X 1	#3	100	1700
FTS1410	14 X 1 1/4	#3	100	1700
FTS1412	14 X 1 1/2	#3	100	1300
FTS1414	14 X 1 3/4	#3	100	1000
FTS1416	14 X 2	#3	100	1000
FTS1420	14 X 2 1/2	#3	100	1000
FTS1424	14 X 3	#3	100	1000
FTS1432	14 X 4	#3	100	500
FTS508	5/16 X 1	#3	100	1500
FTS512	5/16 X 1 1/2	#3	100	1000
FTS516	5/16 X 2	#3	100	700
FTS524	5/16 X 3	#3	100	500
FTS608	3/8 X 1	#3	100	700

PROCORR COATED • MADE IN USA

Part #	Size	Drill Point	Shop Pack Quantity	Bulk Quantity
FTSC1006	#10 X 3/4	#3	100	5000
FTSC1206	#12 X 3/4	#3	100	5000
FTSCF1207	#12-24 X 7/8	#4	100	4500
FTSC1208	#12 X 1	#3	100	4000
FTSCF1210	#12-24 X 1-1/4	#4.5	100	3500
FTSC1212	#12 X 1-1/2	#3	100	2500
FTSC1408	#14 X 1	#3	100	3000
FTSC1410	#14 X 1-1/4	#3	100	2000
FTSC1412	#14 X 1-1/2	#3	100	2000
FTSC1416	#14 X 2	#3	100	1500
FTSC1424	#14 X 3	#3	100	800

HEX WASHER HEAD SELF DRILLING SCREWS (TEK SCREWS) & PHILLIPS FLAT HEAD SELF DRILLING SCREWS

HEX WASHER HEAD SELF DRILLING SCREWS (TEK SCREWS)

410 STAINLESS STEEL • IMPORTED

Part #	Size	Drill Point	Shop Pack Quantity
FSSTS0804	8 X 1/2	#2	100
FSSTS0806	8 X 3/4	#2	100
FSSTS0808	8 X 1	#2	100
FSSTS1004	10 X 1/2	#2	100
FSSTS1006	10 X 3/4	#3	100
FSSTS1008	10 X 1	#3	100
FSSTS1010	10 X 1 1/4	#3	100
FSSTS1012	10 X 1 1/2	#3	100
FSSTS1016	10 X 2	#3	100

Part #	Size	Drill Point	Shop Pack Quantity
FSSTS1206	12 X 3/4	#3	100
FSSTS1208	12 X 1	#3	100
FSSTS1406	14 X 3/4	#3	100
FSSTS1408	14 X 1	#3	100
FSSTS1410	14 X 1 1/4	#3	100
FSSTS1412	14 X 1 1/2	#3	100
FSSTS1416	14 X 2	#3	100
FSSTS1420	14 X 2 1/2	#3	100

PHILLIPS FLAT HEAD SELF DRILLING SCREWS

ZINC PLATED • IMPORTED

Part #	Size	Drill Point	Shop Pack Quantity	Bulk Quantity
FSPFSD0606	6 X 3/4	#2	100	6700
FSPFSD0808	8 X 1	#2	100	5000
FSPFSD0812	8 X 1 1/2	#3	100	3300
FSPFSD1006	10 X 3/4	#2	100	5000
FSPFSD1008	10 X 1	#3	100	3300
FSPFSD1010	10 X 1 1/4	#3	100	3000



Part #	Size	Drill Point	Shop Pack Quantity	Bulk Quantity
FSPFSD1012	10 X 1 1/2	#3	100	3000
FSPFSD1212	12 X 1 1/2	#3	100	3000
FSPFSD1412	14 X 1 1/2	#3	100	1500

410 STAINLESS STEEL • IMPORTED

Part #	Size	Drill Point	Shop Pack Quantity
FSSSPFSD420	1/4-10 X 2 1/2	#3	100

Don't see the size you're looking for? Call us for availability!

WINGED • WOOD TO METAL • ZINC PLATED • IMPORTED

Part #	Size	Drill Point	Shop Pack Quantity	Bulk Quantity
FSPFSDW1216	#12-24 X 2	#4	100	1000
FSPFSDW1220	#12-24 X 2 1/2	#4	100	1000
FSPFSDW1422	1/4-20 X 2 3/4	#4	100	1000
FSPFSDW1424	1/4-20 X 3	#4	100	1000



WINGED • WOOD TO METAL • WAR COATED • IMPORTED

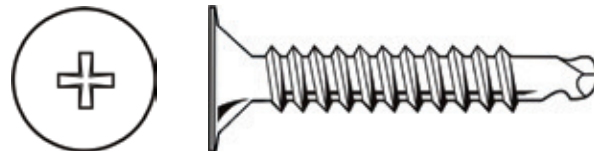
Part #	Size	Drill Point	Package Quantity	Bulk Quantity
FSPFSDWW1216	#12-24 X 2	#3	100	2000
FSPFSDWW1422	1/4-20 X 2 3/4	#4	100	1000
FSPFSDWW1430	1/4-20 X 3 3/4	#4	100	500

PHILLIPS WAFER HEAD SELF DRILLING SCREWS & PHILLIPS PAN HEAD SELF DRILLING SCREWS

PHILLIPS WAFER HEAD SELF DRILLING SCREWS

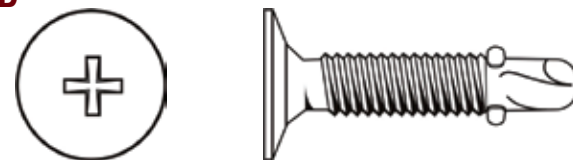
ZINC PLATED • IMPORTED

Part #	Size	Drill Point	Shop Pack Quantity	Bulk Quantity
FSPWSD0808	8 X 1	#2	100	5000
FSPWSD1008	10 X 1	#3	100	5000
FSPWSD1012	10 X 1 1/2	#3	100	2500



WINGED • WOOD TO METAL • ZINC PLATED • IMPORTED

Part #	Size	Drill Point	Shop Pack Quantity	Bulk Quantity
FSPFSDW1011	10-24 X 1 7/16	#3	100	3000



PHILLIPS PAN HEAD SELF DRILLING SCREWS

ZINC PLATED • IMPORTED

Part #	Size	Drill Point	Shop Pack Quantity	Bulk Quantity
FSPPSD0604	6 X 1/2	#2	100	10000
FSPPSD0606	6 X 3/4	#2	100	6700
FSPPSD0608	6 X 1	#3	100	6700
FSPPSD0804	8 X 1/2	#2	100	6700
FSPPSD0806	8 X 3/4	#3	100	6700
FSPPSD0808	8 X 1	#3	100	5000
FSPPSD0810	8 X 1 1/4	#3	100	3700
FSPPSD0812	8 X 1 1/2	#3	100	3300
FSPPSD1004	10 X 1/2	#2	100	6700
FSPPSD1006	10 X 3/4	#3	100	5000



Part #	Size	Drill Point	Shop Pack Quantity	Bulk Quantity
FSPPSD1008	10 X 1	#3	100	3300
FSPPSD1010	10 X 1 1/4	#3	100	3000
FSPPSD1012	10 X 1 1/2	#3	100	3000
FSPPSD1016	10 X 2	#3	100	1700
FSPPSD1206	12 X 3/4	#3	100	3700
FSPPSD1208	12 X 1	#3	100	3300
FSPPSD1210	12 X 1 1/4	#3	100	3000
FSPPSD1212	12 X 1 1/2	#3	100	2000
FSPPSD1408	14 X 1	#3	100	2000

410 STAINLESS STEEL • IMPORTED

Part #	Size	Drill Point	Shop Pack Quantity
FSSPPSD0603	6 X 3/8	#2	100
FSSPPSD0806	8 X 3/4	#2	100
FSSPPSD0808	8 X 1	#2	100
FSSPPSD1006	10 X 3/4	#3	100
FSSPPSD1008	10 X 1	#3	100
FSSPPSD1208	12 X 1	#3	100
FSSPPSD1212	12 X 1 1/2	#3	100
FSSPPSD1408	14 X 1	#3	100

SQUARE PAN HEAD SELF DRILLING, TORX FLOORING & 6-LOBE PAN HEAD SELF THREADING SCREWS

SQUARE PAN HEAD SELF DRILLING SCREWS

ZINC PLATED • IMPORTED

Part #	Size	Drill Point	Shop Pack Quantity	Bulk Quantity
FSSPSD0804	8 X 1/2	#2	100	10000
FSSPSD0806	8 X 3/4*	#3	100	10000
FSSPSD0808	8 X 1*	#3	100	8000

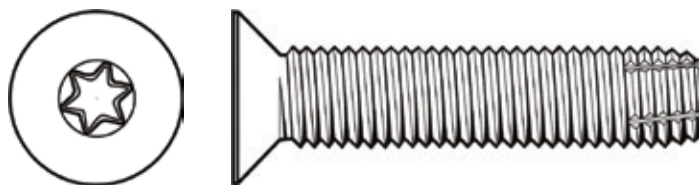


*3-5 day lead time.

TORX FLOORING SCREWS

TYPE F • BLACK PHOSPHATE & OIL • IMPORTED

Self Threading Screws are designed to thread their own way into a pre-drilled hole. They have a surface Rockwell hardness of C45 or more. They should be used with a material whose Rockwell hardness is at least 10 points lower.

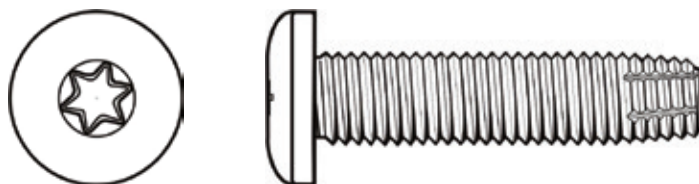


Part #	Size	Torx Size	Shop Pack Quantity	Bulk Quantity
FTFS0406	1/4-20 X 1 1/2	T30	100	2000
FTFS0408	1/4-20 X 2	T30	100	1600
FTFS0409	1/4-20 X 2 1/4	T30	100	1400
FTFS0410	1/4-20 X 2 1/2	T30	100	1200
FTFS0412	1/4-20 X 3	T30	100	1000
FTFS0504	5/16-18 X 1	T40	100	1600
FTFS0506	5/16-18 X 1 1/2	T40	100	1400
FTFS0508	5/16-18 X 2	T40	100	900
FTFS0510	5/16-18 X 2 1/2	T40	100	800
FTFS0512	5/16-18 X 3	T40	100	600
FTFS0608	3/8-16 X 2	T40	50	600
FTFS0610	3/8-16 X 2 1/2	T40	50	400

6-LOBE PAN HEAD SELF THREADING SCREWS

TYPE F • ZINC PLATED • IMPORTED

Part #	Size	Torx Size	Shop Pack Quantity	Bulk Quantity
FSTPST508	5/16-18 X 1	T40	100	1250
FSTPST512	5/16-18 X 1 1/2	T40	100	1250



PHILLIPS PAN HEAD & HEX WASHER HEAD SELF THREADING SCREWS

PHILLIPS PAN HEAD SELF THREADING SCREWS

TYPE F • ZINC PLATED • IMPORTED

Part #	Size	Phillips Size	Shop Pack Quantity	Bulk Quantity
FSPST0603	6-32 X 3/8	#2	100	20000
FSPST0803	8-32 X 3/8	#2	100	12000
FSPST0804	8-32 X 1/2	#2	100	10000
FSPST0805	8-32 X 5/8	#2	100	9000
FSPST0806	8-32 X 3/4	#2	100	8000
FSPST403	1/4-20 X 3/8	#3	100	4000
FSPST406	1/4-20 X 3/4	#3	100	3000
FSPST408	1/4-20 X 1	#3	100	2500
FSPSTF1006	10-32 X 3/4	#2	100	5000



Don't see the size you're looking for? Call us for availability!

HEX WASHER HEAD SELF THREADING SCREWS

TYPE F • ZINC PLATED • IMPORTED

Part #	Size	Shop Pack Quantity	Bulk Quantity
FSHWST0603	6-32 X 3/8	100	18000
FSHWST0803	8-32 X 3/8	100	10000
FSHWST1006	10-24 X 3/4	100	5000
FSHWSTF1006	10-32 X 3/4*	100	5000
FSHWST404	1/4-20 X 1/2	100	2500
FSHWSTS404	1/4-20 X 1/2†	100	4000
FSHWST405	1/4-20 X 5/8	100	2500
FSHWST406	1/4-20 X 3/4	100	2000
FSHWST408	1/4-20 X 1	100	2000
FSHWST412	1/4-20 X 1 1/2	100	1500
FSHWST506	5/16-18 X 3/4	100	1250
FSHWST508	5/16-18 X 1	100	1250



Part #	Size	Shop Pack Quantity	Bulk Quantity
FSHWST510	5/16-18 X 1 1/4	100	1000
FSHWST512	5/16-18 X 1 1/2	100	1000
FSHWST606	3/8-16 X 3/4	100	800
FSHWST608	3/8-16 X 1	100	700
FSHWST610	3/8-16 X 1 1/4	100	600
FSHWST612	3/8-16 X 1 1/2	100	600

*Fine Thread

†Serrated under the head

HEX WASHER HEAD THREAD FORMING SCREWS

TRI LOBE • ZINC PLATED • IMPORTED

Part #	Size	Shop Pack Quantity	Bulk Quantity
FSHWTF0606	3/8-16 X 3/4	100	1250
FSHWTF0612	3/8-16 X 1 1/2	100	1000



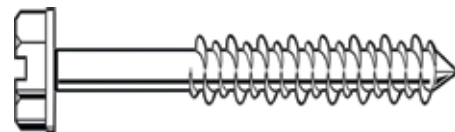
Thread Forming Screws are designed for use in ductile metals. They do not create chips and have excellent resistance to vibrational loosening.

HEX WASHER HEAD & PHILLIPS FLAT HEAD CONCRETE SCREWS

HEX WASHER HEAD CONCRETE SCREWS

BLUE RUSPERT FINISH • IMPORTED

Concrete Screws cut their own threads in a predrilled hole in concrete, block, or brick.



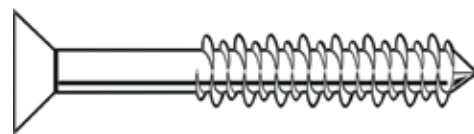
Part #	Size	Drill Size	Hex Size	Shop Pack Quantity	Bulk Quantity
FSHRC0310	3/16 X 1 1/4	5/32	1/4	100	5000
FSHRC0314	3/16 X 1 3/4	5/32	1/4	100	3300
FSHRC0318	3/16 X 2 1/4	5/32	1/4	100	2400
FSHRC0322	3/16 X 2 3/4	5/32	1/4	100	1800
FSHRC0326	3/16 X 3 1/4	5/32	1/4	100	1200
FSHRC0410	1/4 X 1 1/4	3/16	5/16	100	2800
FSHRC0414	1/4 X 1 3/4	3/16	5/16	100	2250
FSHRC0418	1/4 X 2 1/4	3/16	5/16	100	1800
FSHRC0422	1/4 X 2 3/4	3/16	5/16	100	1500
FSHRC0426	1/4 X 3 1/4	3/16	5/16	100	1200
FSHRC0430	1/4 X 4	3/16	5/16	100	900

410 STAINLESS STEEL • IMPORTED

Part #	Size	Drill Size	Package Quantity
FSSSHRC0410	1/4 X 1-1/4	3/16	100
FSSSHRC0414	1/4 X 1-3/4	3/16	100
FSSSHRC0426	1/4 X 3 1/4	3/16	100

PHILLIPS FLAT HEAD CONCRETE SCREWS

BLUE RUSPERT FINISH • IMPORTED



Part #	Size	Drill Size	Phillips Size	Shop Pack Quantity	Bulk Quantity
FSPFRC0310	3/16 X 1 1/4	5/32	#2	100	5000
FSPFRC0314	3/16 X 1 3/4	5/32	#2	100	3300
FSPFRC0318	3/16 X 2 1/4	5/32	#2	100	2500
FSPFRC0322	3/16 X 2 3/4	5/32	#2	100	2500
FSPFRC0326	3/16 X 3 1/4	5/32	#2	100	1200
FSPFRC0410	1/4 X 1 1/4	3/16	#3	100	2800
FSPFRC0414	1/4 X 1 3/4	3/16	#3	100	2250
FSPFRC0418	1/4 X 2 1/4	3/16	#3	100	1800
FSPFRC0422	1/4 X 2 3/4	3/16	#3	100	1500
FSPFRC0426	1/4 X 3 1/4	3/16	#3	100	1200
FSPFRC0430	1/4 X 4	3/16	#3	100	900

SQUARE FLAT HEAD WOOD SCREWS & STAR DRIVE FLAT HEAD WOOD SCREWS

SQUARE FLAT HEAD WOOD SCREWS

NIBS UNDER HEAD • TYPE 17 TIP • ZINC PLATED • IMPORTED

Part #	Size	Square Size	Shop Pack Qty	Bulk Qty
FSSFK0604	6 X 1/2	#2	100	36000
FSSFK0606	6 X 3/4	#2	100	10000
FSSFK0608	6 X 1	#2	100	10000
FSSFK0610	6 X 1 1/4	#2	100	10000
FSSFK0612	6 X 1 1/2	#2	100	10000
FSSFK0806	8 X 3/4	#2	100	15000
FSSFK0808	8 X 1	#2	100	11000
FSSFK0810	8 X 1 1/4	#2	100	9000
FSSFK0812	8 X 1 1/2	#2	100	7000
FSSFK0814	8 X 1 3/4	#2	100	5000
FSSFK0816	8 X 2	#2	100	4000
FSSFK0818	8 X 2 1/4	#2	100	3000
FSSFK0820	9 X 2 1/2	#2	100	2500
FSSFK0824	9 X 3	#2	100	2000



Flat Head Wood Screws come in zinc for general use, black oxide to match color on dark applications, and in exterior coating for use outside and with treated lumber. They typically come with a Phillips/square combo drive.

Part #	Size	Square Size	Shop Pack Qty	Bulk Qty
FSSFK0828	8 X 3 1/2	#2	100	1500
FSSFK1012	10 X 1 1/2	#2	100	4000
FSSFK1014	10 X 1 3/4	#2	100	4000
FSSFK1016	10 X 2	#2	100	3000
FSSFK1020	10 X 2 1/2	#2	100	2000
FSSFK1024	10 X 3	#2	100	1500
FSSFK1028	10 X 3 1/2	#2	100	1500
FSSFK1032	10 X 4	#2	100	1000
FSSFK1040	10 X 5	#2	100	1000

NIBS UNDER HEAD • TYPE 17 TIP • BLACK OXIDE • IMPORTED

Part #	Size	Square Size	Shop Pack Quantity	Bulk Quantity
FSSFKB0808	8 X 1	#2	100	10000
FSSFKB0810	8 X 1 1/4	#2	100	7000
FSSFKB0820	8 X 2 1/2	#2	100	3000
FSSFKB0824	8 X 3	#2	100	2500

NIBS UNDER HEAD • TYPE 17 TIP • EXTERIOR COATED • IMPORTED

Part #	Size	Square Size	Shop Pack Quantity	Bulk Quantity
FSSFKW0809	8 X 1 1/8	#2	100	10000
FSSFKW0812	8 X 1 1/2	#2	100	5000
FSSFKW0814	8 X 1 3/4	#2	100	5000
FSSFKW0816	8 X 2	#2	100	4000
FSSFKW0818	8 X 2 1/4	#2	100	3000
FSSFKW0820	8 X 2 1/2	#2	100	3000
FSSFKW0824	8 X 3	#2	100	2500
FSSFKW1040	10 X 5	#2	100	1000

STAR DRIVE FLAT HEAD WOOD SCREWS

NIBS UNDER HEAD • TYPE 17 TIP • EXTERIOR COATED • IMPORTED

Part #	Size	Drive Size	Package Quantity	Bulk Quantity
FSTD0816	#8 X 2	T25	100	3100
FSTD0820	#8 X 2 1/2	T25	100	2125
FSTD0924	#9 X 3	T25	100	1800
FSTD1028	#10 X 3 1/2	T25	100	1500
FSTD1032	#10 X 4	T25	100	1250

SQUARE BUGLE HEAD DECK SCREWS & COMBO DRIVE ROUND WASHER HEAD WOOD SCREWS

SQUARE BUGLE HEAD DECK SCREWS

18-8 STAINLESS STEEL • TYPE 17 TIP • IMPORTED

Part #	Size	Square Size	Shop Pack Quantity	Bulk Quantity
FSSSSBD0808	8 X 1	#2	100	11000
FSSSSBD0810	8 X 1 1/4	#2	100	9000
FSSSSBD0813	8 X 1 5/8	#2	100	5000
FSSSSBD0816	8 X 2	#2	100	4000
FSSSSBD0818	8 X 2 1/4	#2	100	3000
FSSSSBD0820	8 X 2 1/2	#2	100	3000
FSSSSBD0824	8 X 3	#2	100	2500
FSSSSBD1024	10 X 3	#2	100	1500



COMBO DRIVE ROUND WASHER HEAD WOOD SCREWS

TYPE 17 TIP • ZINC PLATED • IMPORTED

Part #	Size	Square Size	Shop Pack Quantity	Bulk Quantity
FSSRWW0804	8 X 1/2†	#2	100	10000
FSSRWW0805	8 X 5/8†	#2	100	10000
FSSRWW0806	8 X 3/4	#2	100	10000
FSSRWW0808	8 X 1	#2	100	10000
FSSRWW0810	8 X 1 1/4	#2	100	9000
FSSRWW0812	8 X 1 1/2	#2	100	7000
FSSRWW0814	8 X 1 3/4	#2	100	5000
FSSRWW0816	8 X 2	#2	100	4000
FSSRWW0820	8 X 2 1/2	#2	100	2500
FSSRWW0824	8 X 3	#2	100	2000
FSSRWW0828	8 X 3 1/2	#2	100	1500
FSSRWW1006	10 X 3/4†	#2	100	-
FSSRWW1010	10 X 1 1/4†	#2	100	5000
FSSRWW1016	10 X 2†	#2	100	3000
FSSRWW1020	10 X 2 1/2*	#2	100	1500
FSSRWW1024	10 X 3*	#2	100	1500
FSSRWW1028	10 X 3 1/2*	#2	100	1000



Round Washer Head Wood Screws have a larger bearing surface for more holding power. They typically come in square/Phillips combo drive.

*1/2" Diameter Washer

†Black Phosphate Coated

18-8 STAINLESS STEEL • TYPE 17 TIP • IMPORTED

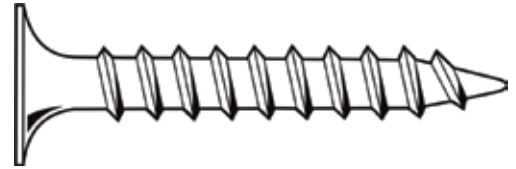
Part #	Size	Square Size	Shop Pack Quantity
FSSSRWW0812	8 X 1 1/2	#2	100
FSSSRWW0814	8 X 1 3/4	#2	100

PHILLIPS BUGLE HEAD DRYWALL SCREWS & PHILLIPS FLAT HEAD WOOD SCREWS

PHILLIPS BUGLE HEAD DRYWALL SCREWS

BLACK PHOSPHATE • IMPORTED

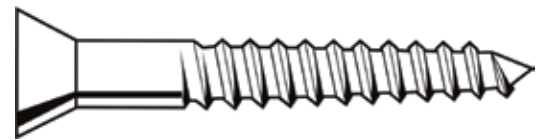
Part #	Size	Phillips Size	Shop Pack Quantity	Bulk Quantity
FSD606	6 X 3/4	#2	100	10000
FSD608	6 X 1	#2	100	10000
FSD610	6 X 1 1/4	#2	100	8000
FSD613	6 X 1 5/8	#2	100	5000



PHILLIPS FLAT HEAD WOOD SCREWS

ZINC PLATED • TYPE A • IMPORTED

Part #	Size	Phillips Size	Shop Pack Quantity	Bulk Quantity
FSPFW0408	4 X 1	#1	100	6000
FSPFW0808	8 X 1	#2	100	4500
FSPFW0812	8 X 1 1/2	#2	100	2500
FSPFW0814	8 X 1 3/4	#2	100	2000
FSPFW0828	8 X 3 1/2	#2	100	750
FSPFW1012	10 X 1 1/2	#3	100	2000

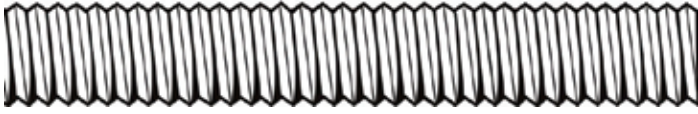


BRASS • TYPE A • IMPORTED

Part #	Size	Phillips Size	Shop Pack Quantity
FBSPFW0605	6 X 5/8	#2	100

THREADED ROD

GRADE A • COARSE THREAD • ZINC PLATED • IMPORTED



Grade A Threaded Rod is manufactured to ASTM A307 Grade A specs. Tensile strength is a minimum of 60,000 psi.

Part #	Size	Tube Quantity
FTR20103	10-24 X 3'	50
FTR20106	10-24 X 6'	100
FTR2043	1/4-20 X 3'	50
FTR2046	1/4-20 X 6'	50
FTR20412	1/4-20 X 12'	50
FTR2053	5/16-18 X 3'	35
FTR2056	5/16-18 X 6'	35
FTR20510	5/16-18 X 10'	35
FTR2063	3/8-16 X 3'	25
FTR2066	3/8-16 X 6'	25
FTR20610	3/8-16 X 10'	25
FTR20612	3/8-16 X 12'	25
FTR2073	7/16-14 X 3'	17
FTR2076	7/16-14 X 6'	17
FTR2082	1/2-13 X 2'	21
FTR2083	1/2-13 X 3'	12

Part #	Size	Tube Quantity
FTR2086	1/2-13 X 6'	12
FTR20810	1/2-13 X 10'	12
FTR2093	9/16-12 X 3'	10
FTR2103	5/8-11 X 3'	8
FTR2106	5/8-11 X 6'	8
FTR21012	5/8-11 X 12'	8
FTR2123	3/4-10 X 3'	5
FTR2126	3/4-10 X 6'	5
FTR21212	3/4-10 X 12'	5
FTR2143	7/8-9 X 3'	4
FTR2146	7/8-9 X 6'	4
FTR2163	1-8 X 3'	3
FTR2166	1-8 X 6'	3
FTR21610	1-8 X 10'	3
FTR2183	1 1/8-7 X 3'	2
FTR2186	1 1/8-7 X 6'	2

GRADE A • COARSE THREAD • PLAIN FINISH • IMPORTED

Part #	Size	Tube Quantity
FTR2P066	3/8-16 X 6'	25
FTR2P076	7/16-14 X 6'	17
FTR2P086	1/2-13 X 6'	12
FTR2P0810	1/2-13 X 10'	12

Part #	Size	Tube Quantity
FTR2P0812	1/2-13 X 12'	12
FTR2P126	3/4-10 X 6'	5
FTR2P146	7/8-9 X 6'	4

GRADE A • FINE THREAD • ZINC PLATED • IMPORTED

Part #	Size	Tube Quantity
FTR2F043	1/4-28 X 3'	50
FTR2F053	5/16-24 X 3'	35
FTR2F063	3/8-24 X 3'	25
FTR2F073	7/16-20 X 3'	17
FTR2F083	1/2-20 X 3'	12

Part #	Size	Tube Quantity
FTR2F103	5/8-18 X 3'	8
FTR2F106	5/8-18 X 6'	8
FTR2F123	3/4-16 X 3'	5
FTR2F143	7/8-14 X 3'	4
FTR2F163	1-14 X 3'	3

Don't see the size you're looking for? Call us for availability!

LEFT HAND • GRADE A • COARSE THREAD • PLAIN FINISH • IMPORTED

Part #	Size	Tube Quantity
FTR2L066	3/8-16 X 6'	25
FTR2L083	1/2-13 X 3'	12
FTR2L0812	1/2-13 X 12'	13

THREADED ROD

GRADE B7 • COARSE THREAD • PLAIN FINISH • IMPORTED

B7 Threaded Rod is manufactured to A193 Grade B7 specs. Tensile strength is a minimum of 125,000 psi for sizes up to 1 1/2'.

Part #	Size	Tube Quantity	Part #	Size	Tube Quantity
FTRB7043	1/4-20 X 3'	50	FTRB7123	3/4-10 X 3'	5
FTRB7053	5/16-18 X 3'	35	FTRB7126	3/4-10 X 6'	5
FTRB7056	5/16-18 X 6'	35	FTRB71212	3/4-10 X 12'	5
FTRB7063	3/8-16 X 3'	25	FTRB7143	7/8-9 X 3'	4
FTRB7066	3/8-16 X 6'	25	FTRB7146	7/8-9 X 6'	4
FTRB70612	3/8-16 X 12'	25	FTRB7163	1-8 X 3'	3
FTRB7073	7/16-14 X 3'	17	FTRB7166	1-8 X 6'	3
FTRB7083	1/2-13 X 3'	12	FTRB7183	1 1/8-7 X 3'	2
FTRB7086	1/2-13 X 6'	12	FTRB7203	1 1/4-7 X 3'	2
FTRB70812	1/2-13 X 12'	12	FTRB7226	1 3/8-6 X 6'	1
FTRB7103	5/8-11 X 3'	8	FTRB7243	1 1/2-6 X 3'	1
FTRB7106	5/8-11 X 6'	8	FTRB7246	1 1/2-6 X 6'	1
FTRB71012	5/8-11 X 12'	8	FTRB72412	1 1/2-6 X 12'	1

GRADE B7 • FINE THREAD • PLAIN FINISH • IMPORTED

Part #	Size	Tube Quantity	Part #	Size	Tube Quantity
FTRB7F046	1/4-28 X 6'	50	FTRB7F106	5/8-18 X 6'	8
FTRB7F056	5/16-24 X 6'	35	FTRB7F123	3/4-16 X 3'	5
FTRB7F066	3/8-24 X 6'	25	FTRB7F126	3/4-16 X 6'	5
FTRB7F073	7/16-20 X 3'	17	FTRB7F1212	3/4-16 X 12'	5
FTRB7F083	1/2-20 X 3'	12	FTRB7F143	7/8-14 X 3'	4
FTRB7F086	1/2-20 X 6'	12	FTRB7F146	7/8-14 X 6'	4
FTRB7F093	9/16-18 X 3'	10	FTRB7F163	1-14 X 3'	3
FTRB7F103	5/8-18 X 3'	8	FTRB7F206	1 1/4-12 X 6'	1

GRADE B7 • COARSE THREAD • YELLOW ZINC PLATED • IMPORTED

Part #	Size	Tube Quantity	Part #	Size	Tube Quantity
FTRB7Y043	1/4-20 X 3'	50	FTRB7Y103	5/8-11 X 3'	8
FTRB7Y053	5/16-18 X 3'	35	FTRB7Y123	3/4-10 X 3'	5
FTRB7Y063	3/8-16 X 3'	25	FTRB7Y126	3/4-10 X 6'	5
FTRB7Y073	7/16-14 X 3'	17	FTRB7Y143	7/8-9 X 3'	4
FTRB7Y083	1/2-13 X 3'	12	FTRB7Y146	7/8-9 X 6'	4

18-8 STAINLESS STEEL • COARSE THREAD • IMPORTED

Part #	Size	Tube Quantity	Part #	Size	Tube Quantity
FSSTR046	1/4-20 X 6'	50	FSSTR086	1/2-13 X 6'	12
FSSTR056	5/16-18 X 6'	35	FSSTR106	5/8-11 X 6'	8
FSSTR063	3/8-16 X 3'	25	FSSTR126	3/4-10 X 6'	5
FSSTR066	3/8-16 X 6'	25	FSSTR166	1-8 X 6'	3
FSSTR076	7/16-14 X 6'	17			

UNTHREADED ROD & ACME THREADED ROD

UNTHREADED ROD

GRADE A • ZINC PLATED • IMPORTED

Part #	Size	Tube Quantity
FUR2043	1/4 X 3'	10
FUR2053	5/16 X 3'	10
FUR2063	3/8 X 3'	10
FUR2073	7/16 X 3'	10
FUR2083	1/2 X 3'	10
FUR2123	3/4 X 3'	3

ACME THREADED ROD

LOW CARBON STEEL • PLAIN FINISH • MADE IN USA

Right Hand Threads	
Part #	Size
EQ404-1008	5/8-8 X 6'
EQ404-1206	3/4-6 X 6'
EQ404-1406	7/8-6 X 6'
EQ404-1604	1-4 X 6'

Left Hand Threads	
Part #	Size
EQ401-1406	7/8-6 X 6'

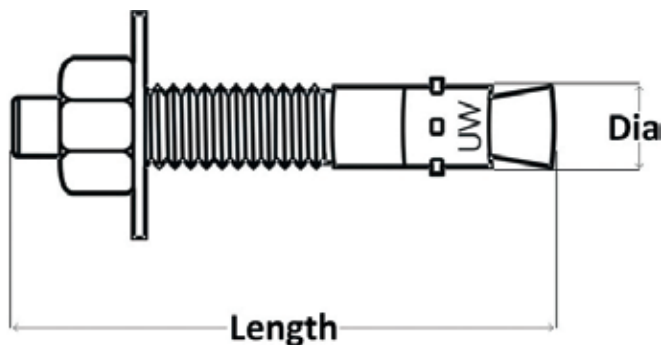
We have many other sizes of ACME threaded rod available! Please call for price and availability.



ACME Threaded Rod has threads that are broader, stronger, and more square than standard threads. It is excellent for use in frequent assembly and disassembly, dirty environments, and for adjusting and leveling screws.

WEDGE ANCHORS

COARSE THREAD • ZINC PLATED • IMPORTED



Wedge anchors provide a simple and effective method for anchoring things to solid concrete or to grout filled concrete masonry. The wedge anchors that we carry are not suitable for use in cracked concrete. Wedge anchors for cracked concrete are available upon request. Size is given as diameter by length.

The drill size to use is equal to the diameter.

Part #	Size	Package Quantity	Bulk Quantity
FA0414	1/4-20 X 1 3/4	100	500
FA0418	1/4-20 X 2 1/4	100	500
FA0426	1/4-20 X 3 1/4	100	300
FA0618	3/8-16 X 2 1/4	50	200
FA0624	3/8-16 X 3	50	150
FA0630	3/8-16 X 3 3/4	50	125
FA0640	3/8-16 X 5	50	100
FA0656	3/8-16 X 6 1/2	20	100
FA0822	1/2-13 X 2 3/4	50	100
FA0830	1/2-13 X 3 3/4	25	75
FA0836	1/2-13 X 4 1/2	25	60
FA0844	1/2-13 X 5 1/2	25	60
FA0856	1/2-13 X 7	20	40
FA0868	1/2-13 X 8 1/2	20	30
FA1028	5/8-11 X 3 1/2	25	50
FA1036	5/8-11 X 4 1/2	20	40

Part #	Size	Package Quantity	Bulk Quantity
FA1040	5/8-11 X 5	20	35
FA1048	5/8-11 X 6	20	30
FA1056	5/8-11 X 7	10	25
FA1068	5/8-11 X 8 1/2	10	20
FA1234	3/4-10 X 4 1/4	10	30
FA1238	3/4-10 X 4 3/4	10	25
FA1244	3/4-10 X 5 1/2	10	20
FA1256	3/4-10 X 7	10	18
FA1268	3/4-10 X 8 1/2	10	14
FA1280	3/4-10 X 10	10	14
FA1296	3/4-10 X 12	10	12
FA1648	1-8 X 6	5	12
FA1672	1-8 X 9	5	8
FA1696	1-8 X 12	5	6
FA16120	1-8 X 15	5	-

COARSE THREAD • HOT DIP GALVANIZED • IMPORTED

Part #	Size	Package Quantity	Bulk Quantity
FAG1040	5/8-11 X 5	20	80

304 STAINLESS STEEL • COARSE THREAD • IMPORTED

Part #	Size	Package Quantity	Bulk Quantity
FSSA0426	1/4-20 X 3 1/4	100	1200
FSSA0618	3/8-16 X 2 1/4	100	600
FSSA0624	3/8-16 X 3	100	600
FSSA0630	3/8-16 X 3 3/4	100	400
FSSA0640	3/8-16 X 5	50	300
FSSA0822	1/2-13 X 2 3/4	50	300
FSSA0830	1/2-13 X 3 3/4	50	200
FSSA0834	1/2-13 X 4 1/4	25	200
FSSA0844	1/2-13 X 5 1/2	25	150
FSSA0856	1/2-13 X 7	25	100
FSSA1036	5/8-11 X 4 1/2	25	150
FSSA1040	5/8-11 X 5	25	100
FSSA1048	5/8-11 X 6	25	100
FSSA1238	3/4-10 X 4 3/4	20	80

SLEEVE ANCHORS, FOUNDATION ANCHOR BOLTS & PLASTIC CONICAL ANCHORS,

SLEEVE ANCHORS

HEX NUT SLEEVE ANCHORS

Part #	Size	Package Quantity	Bulk Quantity
FAS0624	3/8 X 3	50	250
FAS0632	3/8 X 4	50	250
FAS0820	1/2 X 2 1/2	25	150
FAS0824	1/2 X 3	25	150
FAS1234	3/4 X 4 1/4	5	50
FAS1250	3/4 X 6 1/4	5	40



PHILLIPS FLAT HEAD SLEEVE ANCHORS

Part #	Size	Package Quantity	Bulk Quantity
FASPF0416	1/4-20 X 2	100	1200
FASPF0640	3/8-16 X 5	50	250
FASPF0648	3/8-16 X 6	50	200

FOUNDATION ANCHOR BOLTS



We have all sizes and types of foundation anchor bolts available. Let us know your requirements and we will be happy to quote you. Lead time is 3-4 business days on plain finish and 8-10 business days on hot dip galvanized.

PLASTIC CONICAL ANCHORS

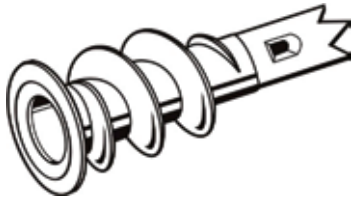


Plastic Conical Anchors are designed as a light duty anchor to use with sheet metal screws or wood screws to anchor things in concrete, masonry, or drywall.

Part #	Anchor Size	Screw Size	Package Quantity
	Dia X Length		
FACP0408	1/4 X 1	#10	100
FACP0511	5/16 X 1 3/8	#14	100

EZ SCREW IN DRYWALL ANCHOR & TITEN HD® SCREW ANCHORS

EZ SCREW IN DRYWALL ANCHOR



EZ Screw in Drywall Anchors provide a quick easy way to securely fasten something to drywall.

Part #	Size	Package Quantity
FAEZ	#8 SCREW	100

TITEN HD® SCREW ANCHORS

ZINC PLATED • IMPORTED

Part #	Anchor Size		Package Quantity
	Drill Size X Length	Thread OD	
FASC0620	3/8 X 2 1/2	15/32	50
FASC0624	3/8 X 3	15/32	50
FASC0632	3/8 X 4	15/32	50
FASC0640	3/8 X 5	15/32	20
FASC0824	1/2 X 3	19/32	25
FASC0832	1/2 X 4	19/32	20
FASC0840	1/2 X 5	19/32	20
FASC0848	1/2 X 6	19/32	20
FASC1240	3/4 X 5	7/8	5

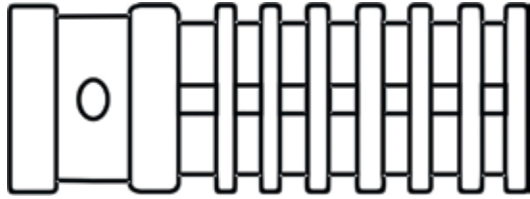


Titen HD anchors are a patented, high strength screw anchor for concrete and masonry and are excellent for use in cracked and uncracked concrete.

Our Titen HD® screw anchors are Simpson Strong Tie brand. Titen HD® is a trademark of Simpson Strong-Tie Company, Inc.

LAG SHIELDS, WELD STUD CONCRETE ANCHORS & TOGGLE WINGS

LAG SHIELDS



Lag shields provide a way to anchor things to concrete or masonry using a common lag screw.

Part #	Size	Drill Size	Package Quantity
	Lag Dia X Length		
FLSS04	1/4 X 1	1/2	50
FLSS05	5/16 X 1 1/4	1/2	50
FLSL05	5/16 X 1 3/4	1/2	50
FLSS06	3/8 X 1 3/4	5/8	50
FLSL06	3/8 X 2 1/2	5/8	50

WELD STUD CONCRETE ANCHORS

PLAIN FINISH • MADE IN USA

Part #	Size	Bulk Quantity
FAWSC0834	1/2 X 4 1/8	200
FAWSC08425	1/2 X 5 5/16	150
FAWSC0849	1/2 X 6 1/8	125
FAWSC0865	1/2 X 8 1/8	100
FAWSC12655	3/4 X 8 3/16	50
FAWSC10525	5/8 X 6 9/16	80



Weld Stud Concrete Anchors are designed to weld to flat surfaces or to the inside or outside of an angle.

Our weld stud concrete anchors are Tru Weld brand.

TOGGLE WINGS

ZINC PLATED • IMPORTED

Part #	Size	Drill Size	Package Quantity
FTW04	1/4-20	11/16	50
FTW05	5/16-18	7/8	50



Don't see an anchor you need listed here? We can get many other types of anchors and most of them are available in 1-2 days.

Toggle Wings are designed as an anchor in hollow wall applications.

SOCKET CAP SCREWS

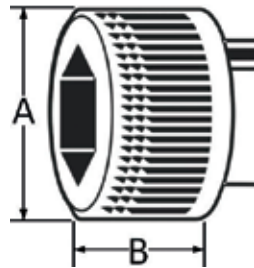
TECHNICAL INFORMATION

Rockwell Hardness & Tensile Strengths

Type & Size	Core Hardness Rockwell	Tensile Strengths
SOCKET HEAD (THRU 1/2")*	C39-C45	180,000 PSI MIN
SOCKET HEAD (5/8" & LARGER)*	C38-C45	170,000 PSI MIN
FLAT HEAD*	C38-C44	145,000 PSI MIN
BUTTON HEAD*	C38-C44	145,000 PSI MIN
SOCKET SHOULDER*	C32-C43	140,000 PSI MIN

These only apply to alloy steel. Rockwell hardness for stainless steel is a minimum of B100 and tensile strength is a minimum of 100,000 psi for all of these.

Dimensions

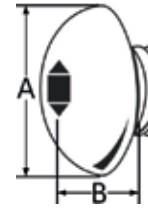


Size	Basic Thread Length	Socket Head Cap Screws						Socket Flat Head Cap Screws			
		Allen Wrench Size	A		B		Allen Wrench Size	A		BASIC	
			MAX	MIN	MAX	MIN		MAX	MIN		
#1	5/8	1/16	0.118	0.112	0.073	0.070	-	-	-	-	
#2	5/8	5/64	0.140	0.134	0.086	0.083	-	-	-	-	
#3	5/8	5/64	0.161	0.154	0.099	0.095	-	-	-	-	
#4	3/4	3/32	0.183	0.176	0.112	0.108	1/16	0.255	0.218	0.083	
#5	3/4	3/32	0.205	0.198	0.125	0.121	5/64	0.281	0.240	0.090	
#6	3/4	7/64	0.226	0.218	0.138	0.134	5/64	0.307	0.263	0.097	
#8	7/8	9/64	0.270	0.262	0.165	0.159	3/32	0.359	0.311	0.112	
#10	7/8	5/32	0.312	0.303	0.190	0.185	1/8	0.411	0.359	0.127	
#12	1	5/32	0.324	0.314	0.216	0.211	1/8	0.450	0.410	0.135	
1/4	1	3/16	0.375	0.365	0.250	0.244	5/32	0.531	0.480	0.161	
5/16	1 1/8	1/4	0.469	0.457	0.312	0.306	3/16	0.656	0.600	0.198	
3/8	1 1/4	5/16	0.562	0.550	0.375	0.368	7/32	0.781	0.720	0.234	
7/16	1 3/8	3/8	0.656	0.642	0.438	0.430	1/4	0.844	0.781	0.234	
1/2	1 1/2	3/8	0.750	0.735	0.500	0.492	5/16	0.938	0.872	0.251	
5/8	1 3/4	1/2	0.938	0.921	0.625	0.616	3/8	1.188	1.112	0.324	
3/4	2	5/8	1.125	1.107	0.750	0.740	1/2	1.438	1.355	0.396	
7/8	2 1/4	3/4	1.312	1.293	0.875	0.864	9/16	1.688	1.604	0.468	
1	2 1/2	3/4	1.500	1.479	1.000	0.988	5/8	1.938	1.841	0.540	
1 1/8	3 1/8	7/8	1.688	1.665	1.125	1.111	-	-	-	-	
1 1/4	3 3/16	7/8	1.875	1.852	1.250	1.236	-	-	-	-	
1 1/2	3 3/4	1	2.250	2.224	1.500	1.485	-	-	-	-	

SOCKET CAP SCREWS

TECHNICAL INFORMATION

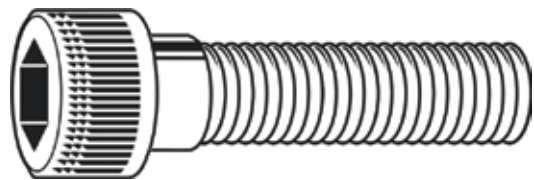
Dimensions *continued from previous page



Size	Socket Shoulder Screws							Socket Button Head Cap Screws				
	Allen Wrench Size	A		B		C	D	Allen Wrench Size	A		B	
		MAX	MIN	MAX	MIN	NOMINAL	BASIC		MAX	MIN	MAX	MIN
#6	-	-	-	-	-	-	-	5/64	0.262	0.250	0.073	0.063
#8	-	-	-	-	-	-	-	3/32	0.312	0.298	0.087	0.077
#10	-	-	-	-	-	-	-	1/8	0.361	0.347	0.101	0.091
1/4	1/8	0.375	0.357	0.188	0.177	10-24	3/8	5/32	0.437	0.419	0.132	0.122
5/16	5/32	0.438	0.419	0.219	0.209	1/4-20	7/16	3/16	0.547	0.527	0.166	0.152
3/8	3/16	0.562	0.543	0.250	0.240	5/16-18	1/2	7/32	0.656	0.636	0.199	0.185
1/2	1/4	0.750	0.729	0.312	0.302	3/8-16	5/8	5/16	0.875	0.851	0.265	0.245
5/8	5/16	0.875	0.853	0.375	0.365	1/2-13	3/4	3/8	1.000	0.970	0.331	0.311
3/4	3/8	1.000	0.977	0.500	0.490	5/8-11	7/8	-	-	-	-	-
1	1/2	1.312	1.287	0.625	0.610	3/4-10	1	-	-	-	-	-

SOCKET HEAD CAP SCREWS

COARSE THREAD • PLAIN FINISH • MADE IN USA OR IMPORTED



Socket Head Cap Screws provide the advantages of a greater tensile strength than grade 8 hex cap screws and a smaller area needed around the head for wrenching.

Part #	Size	Package Quantity	Bulk Quantity
FSHCS00106	1-64 X 3/4	100	1000
FSHCS00604	6-32 X 1/2	100	2500
FSHCS00606	6-32 X 3/4	100	2500
FSHCS00608	6-32 X 1	100	2500
FSHCS00804	8-32 X 1/2	100	5000
FSHCS00806	8-32 X 3/4	100	2500
FSHCS00808	8-32 X 1	100	2500
FSHCS00810	8-32 X 1 1/4	100	2500
FSHCS00812	8-32 X 1 1/2	100	2500
FSHCS01003	10-24 X 3/8	100	2500
FSHCS01004	10-24 X 1/2	100	2500
FSHCS01005	10-24 X 5/8	100	2500
FSHCS01006	10-24 X 3/4	100	2500
FSHCS01008	10-24 X 1	100	2500
FSHCS01010	10-24 X 1 1/4	100	2000
FSHCS01012	10-24 X 1 1/2	100	2000
FSHCS01014	10-24 X 1 3/4	100	1500
FSHCS01016	10-24 X 2	100	1500
FSHCS01018	10-24 X 2 1/4	100	1000
FSHCS01020	10-24 X 2 1/2	100	1000
FSHCS01028	10-24 X 3 1/2	100	1000
FSHCS01208	12-24 X 1	100	1500
FSHCS0403	1/4-20 X 3/8	100	2500
FSHCS0404	1/4-20 X 1/2	100	2500
FSHCS0405	1/4-20 X 5/8	100	2000
FSHCS0406	1/4-20 X 3/4	100	1500
FSHCS0407	1/4-20 X 7/8	100	1500
FSHCS0408	1/4-20 X 1	100	1500
FSHCS0410	1/4-20 X 1 1/4	100	1250
FSHCS0412	1/4-20 X 1 1/2	100	1000
FSHCS0414	1/4-20 X 1 3/4	100	1000
FSHCS0416	1/4-20 X 2	100	750
FSHCS0418	1/4-20 X 2 1/4	100	750
FSHCS0420	1/4-20 X 2 1/2	100	700
FSHCS0424	1/4-20 X 3	100	500
FSHCS0428	1/4-20 X 3 1/2	50	500
FSHCS0436	1/4-20 X 4 1/2	50	350
FSHCS0503	5/16-18 X 3/8	100	1250
FSHCS0504	5/16-18 X 1/2	100	1250

Part #	Size	Package Quantity	Bulk Quantity
FSHCS0505	5/16-18 X 5/8	100	1250
FSHCS0506	5/16-18 X 3/4	100	1000
FSHCS0507	5/16-18 X 7/8	100	1000
FSHCS0508	5/16-18 X 1	100	1000
FSHCS0510	5/16-18 X 1 1/4	100	750
FSHCS0512	5/16-18 X 1 1/2	100	750
FSHCS0514	5/16-18 X 1 3/4	100	500
FSHCS0516	5/16-18 X 2	100	500
FSHCS0518	5/16-18 X 2 1/4	100	500
FSHCS0520	5/16-18 X 2 1/2	100	400
FSHCS0524	5/16-18 X 3	100	350
FSHCS0528	5/16-18 X 3 1/2	50	300
FSHCS0604	3/8-16 X 1/2	100	750
FSHCS0606	3/8-16 X 3/4	100	600
FSHCS0608	3/8-16 X 1	100	500
FSHCS0610	3/8-16 X 1 1/4	100	500
FSHCS0612	3/8-16 X 1 1/2	100	400
FSHCS0614	3/8-16 X 1 3/4	100	400
FSHCS0616	3/8-16 X 2	100	300
FSHCS0618	3/8-16 X 2 1/4	50	300
FSHCS0620	3/8-16 X 2 1/2	50	250
FSHCS0622	3/8-16 X 2 3/4	50	250
FSHCS0624	3/8-16 X 3	50	250
FSHCS0626	3/8-16 X 3 1/4	50	200
FSHCS0628	3/8-16 X 3 1/2	50	175
FSHCS0632	3/8-16 X 4	50	175
FSHCS0636	3/8-16 X 4 1/2	50	175
FSHCS0640	3/8-16 X 5	50	150
FSHCS0644	3/8-16 X 5 1/2	50	150
FSHCS0664	3/8-16 X 8	1	100
FSHCS0708	7/16-14 X 1	50	400
FSHCS0710	7/16-14 X 1 1/4	50	300
FSHCS0712	7/16-14 X 1 1/2	50	300
FSHCS0716	7/16-14 X 2	50	250
FSHCS0720	7/16-14 X 2 1/2	50	200
FSHCS0724	7/16-14 X 3	50	150
FSHCS0806	1/2-13 X 3/4	50	300
FSHCS0808	1/2-13 X 1	50	250
FSHCS0810	1/2-13 X 1 1/4	50	250

SOCKET HEAD CAP SCREWS

COARSE THREAD • PLAIN FINISH • MADE IN USA OR IMPORTED *CONTINUED FROM PREVIOUS PAGE

Part #	Size	Package Quantity	Bulk Quantity
FSHCS0812	1/2-13 X 1 1/2	50	250
FSHCS0814	1/2-13 X 1 3/4	50	225
FSHCS0816	1/2-13 X 2	50	200
FSHCS0818	1/2-13 X 2 1/4	50	200
FSHCS0820	1/2-13 X 2 1/2	50	175
FSHCS0822	1/2-13 X 2 3/4	50	150
FSHCS0824	1/2-13 X 3	50	150
FSHCS0828	1/2-13 X 3 1/2	25	125
FSHCS0832	1/2-13 X 4	25	125
FSHCS0836	1/2-13 X 4 1/2	25	100
FSHCS0840	1/2-13 X 5	25	100
FSHCS0844	1/2-13 X 5 1/2	25	75
FSHCS0848	1/2-13 X 6	25	75
FSHCS1010	5/8-11 X 1 1/4	25	175
FSHCS1012	5/8-11 X 1 1/2	25	150
FSHCS1014	5/8-11 X 1 3/4	25	150
FSHCS1016	5/8-11 X 2	25	125
FSHCS1018	5/8-11 X 2 1/4	25	100
FSHCS1020	5/8-11 X 2 1/2	25	100
FSHCS1022	5/8-11 X 2 3/4	25	100
FSHCS1024	5/8-11 X 3	25	75

Part #	Size	Package Quantity	Bulk Quantity
FSHCS1028	5/8-11 X 3 1/2	25	75
FSHCS1032	5/8-11 X 4	25	75
FSHCS1040	5/8-11 X 5	25	50
FSHCS1048	5/8-11 X 6	20	50
FSHCS1056	5/8-11 X 7	1	40
FSHCS1080	5/8-11 X 10	1	30
FSHCS1212	3/4-10 X 1 1/2	20	100
FSHCS1216	3/4-10 X 2	20	75
FSHCS1220	3/4-10 X 2 1/2	20	70
FSHCS1224	3/4-10 X 3	20	60
FSHCS1232	3/4-10 X 4	20	50
FSHCS1248	3/4-10 X 6	1	35
FSHCS1416	7/8-9 X 2	15	60
FSHCS1424	7/8-9 X 3	15	40
FSHCS1616	1-8 X 2	10	40
FSHCS1624	1-8 X 3	10	30
FSHCS1628	1-8 X 3 1/2	1	25
FSHCS1632	1-8 X 4	1	25
FSHCS1656	1-8 X 7	1	15
FSHCS1688	1-8 X 11	1	10
FSHCS2064	1 1/4-7 X 8	1	15

Don't see the size you're looking for? Call us for availability!

FINE THREAD • PLAIN FINISH • MADE IN USA OR IMPORTED

Part #	Size	Package Quantity	Bulk Quantity
FSHCSF01004	10-32 X 1/2	100	2500
FSHCSF01005	10-32 X 5/8	100	2500
FSHCSF01006	10-32 X 3/4	100	2500
FSHCSF01008	10-32 X 1	100	2500
FSHCSF01010	10-32 X 1 1/4	100	2000
FSHCSF01012	10-32 X 1 1/2	100	2000
FSHCSF01016	10-32 X 2	100	1500
FSHCSF01020	10-32 X 2 1/2	100	1000
FSHCSF0404	1/4-28 X 1/2	100	2500
FSHCSF0405	1/4-28 X 5/8	100	2000
FSHCSF0406	1/4-28 X 3/4	100	1500
FSHCSF0408	1/4-28 X 1	100	1500
FSHCSF0410	1/4-28 X 1 1/4	100	1250
FSHCSF0412	1/4-28 X 1 1/2	100	1000
FSHCSF0416	1/4-28 X 2	100	750
FSHCSF0420	1/4-28 X 2 1/2	100	700
FSHCSF0504	5/16-24 X 1/2	100	1250

Part #	Size	Package Quantity	Bulk Quantity
FSHCSF0506	5/16-24 X 3/4	100	1000
FSHCSF0508	5/16-24 X 1	100	1000
FSHCSF0510	5/16-24 X 1 1/4	100	750
FSHCSF0512	5/16-24 X 1 1/2	100	750
FSHCSF0516	5/16-24 X 2	100	500
FSHCSF0528	5/16-24 X 3 1/2	50	175
FSHCSF0606	3/8-24 X 3/4	100	600
FSHCSF0608	3/8-24 X 1	100	500
FSHCSF0610	3/8-24 X 1 1/4	100	500
FSHCSF0612	3/8-24 X 1 1/2	100	400
FSHCSF0616	3/8-24 X 2	100	300
FSHCSF0620	3/8-24 X 2 1/2	50	250
FSHCSF0708	7/16-20 X 1	50	400
FSHCSF0710	7/16-20 X 1 1/4	50	300
FSHCSF0712	7/16-20 X 1 1/2	50	300
FSHCSF0716	7/16-20 X 2	50	250
FSHCSF0720	7/16-20 X 2 1/2	50	200

SOCKET HEAD CAP SCREWS

FINE THREAD • PLAIN FINISH • MADE IN USA OR IMPORTED *CONTINUED FROM PREVIOUS PAGE

Part #	Size	Package Quantity	Bulk Quantity
FSHCSF0724	7/16-20 X 3	50	150
FSHCSF0808	1/2-20 X 1	50	250
FSHCSF0810	1/2-20 X 1 1/4	50	250
FSHCSF0812	1/2-20 X 1 1/2	50	250
FSHCSF0816	1/2-20 X 2	50	200
FSHCSF0820	1/2-20 X 2 1/2	50	175
FSHCSF0824	1/2-20 X 3	50	150
FSHCSF0832	1/2-20 X 4	25	125
FSHCSF1012	5/8-18 X 1 1/2	25	150

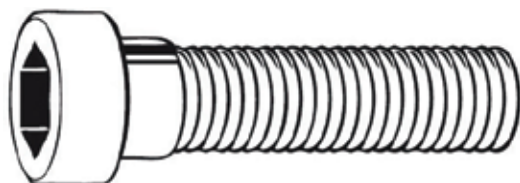
Part #	Size	Package Quantity	Bulk Quantity
FSHCSF1014	5/8-18 X 1 3/4	25	150
FSHCSF1032	5/8-18 X 4	25	75
FSHCSF1224	3/4-16 X 3	20	60
FSHCSF1420	7/8-14 X 2 1/2	15	50
FSHCSF1436	7/8-14 X 4 1/2	1	30
FSHCSF1624	1-14 X 3	10	30
FSHCSF1628	1-14 X 3 1/2	1	25
FSHCSF1824	1 1/8-12 X 3	1	25

18-8 STAINLESS STEEL • COARSE THREAD • IMPORTED

Part #	Size	Package Quantity
FSSSHCS00606	6-32 X 3/4	100
FSSSHCS00608	6-32 X 1	100
FSSSHCS00810	8-32 X 1 1/4	100
FSSSHCS00816	8-32 X 2	100
FSSSHCS01004	10-24 X 1/2	100
FSSSHCS01006	10-24 X 3/4	100
FSSSHCS01008	10-24 X 1	100
FSSSHCS01010	10-24 X 1 1/4	100
FSSSHCS01012	10-24 X 1 1/2	100
FSSSHCS0404	1/4-20 X 1/2	100
FSSSHCS0406	1/4-20 X 3/4	100
FSSSHCS0407	1/4-20 X 7/8	100
FSSSHCS0408	1/4-20 X 1	100
FSSSHCS0410	1/4-20 X 1 1/4	100
FSSSHCS0412	1/4-20 X 1 1/2	100
FSSSHCS0506	5/16-18 X 3/4	100
FSSSHCS0507	5/16-18 X 7/8	100
FSSSHCS0508	5/16-18 X 1	100

Part #	Size	Package Quantity
FSSSHCS0510	5/16-18 X 1 1/4	100
FSSSHCS0512	5/16-18 X 1 1/2	100
FSSSHCS0516	5/16-18 X 2	100
FSSSHCS0606	3/8-16 X 3/4	100
FSSSHCS0607	3/8-16 X 7/8	100
FSSSHCS0608	3/8-16 X 1	100
FSSSHCS0610	3/8-16 X 1 1/4	100
FSSSHCS0612	3/8-16 X 1 1/2	50
FSSSHCS0616	3/8-16 X 2	50
FSSSHCS0620	3/8-16 X 2 1/2	50
FSSSHCS0624	3/8-16 X 3	50
FSSSHCS0640	3/8-16 X 5	25
FSSSHCS0810	1/2-13 X 1 1/4	25
FSSSHCS0812	1/2-13 X 1 1/2	25
FSSSHCS0816	1/2-13 X 2	25
FSSSHCS0820	1/2-13 X 2 1/2	25
FSSSHCS0824	1/2-13 X 3	25

LOW HEAD • COARSE THREAD • PLAIN FINISH • IMPORTED



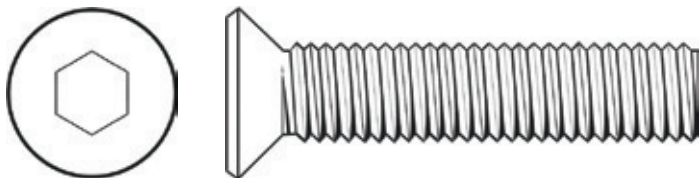
Low Head Socket Head Cap Screws are designed for use where there is limited clearance for the head.

Part #	Size	Head Height	Package Quantity	Bulk Quantity
FSHCSL0406	1/4-20 X 3/4	1/8	100	1500
FSHCSL0606	3/8-16 X 3/4	3/16	100	600
FSHCSL0612	3/8-16 X 1 1/2	3/16	100	400

Don't see the size you're looking for? Call us for availability!

SOCKET FLAT HEAD CAP SCREWS

COARSE THREAD • PLAIN FINISH • MADE IN USA OR IMPORTED



Socket Flat Head Cap Screws have an 82° head and are designed for use when a FLush mount high strength screw is needed.

Part #	Size	Package Quantity	Bulk Quantity
FSFCS00602	6-32 X 1/4	100	2500
FSFCS00603	6-32 X 3/8	100	2500
FSFCS00604	6-32 X 1/2	100	2500
FSFCS00803	8-32 X 3/8	100	2500
FSFCS00804	8-32 X 1/2	100	2500
FSFCS00806	8-32 X 3/4	100	2500
FSFCS00808	8-32 X 1	100	2500
FSFCS01004	10-24 X 1/2	100	2500
FSFCS01005	10-24 X 5/8	100	2500
FSFCS01006	10-24 X 3/4	100	2500
FSFCS01008	10-24 X 1	100	2500
FSFCS01010	10-24 X 1 1/4	100	2500
FSFCS01012	10-24 X 1 1/2	100	2500
FSFCS01024	#10-24 X 3	100	2500
FSFCS01206	12-24 X 3/4	100	2500
FSFCS01208	12-24 X 1	100	2500
FSFCS0403	1/4-20 X 3/8	100	2500
FSFCS0404	1/4-20 X 1/2	100	2500
FSFCS0405	1/4-20 X 5/8	100	2500
FSFCS0406	1/4-20 X 3/4	100	2500
FSFCSZ0406	1/4-20 X 3/4†	100	2500
FSFCS0407	1/4-20 X 7/8	100	2000
FSFCS0408	1/4-20 X 1	100	2000
FSFCS0410	1/4-20 X 1 1/4	100	1500
FSFCS0412	1/4-20 X 1 1/2	100	1500
FSFCS0414	1/4-20 X 1 3/4	100	1000
FSFCS0416	1/4-20 X 2	100	1000
FSFCS0420	1/4-20 X 2 1/2	100	1000
FSFCS0424	1/4-20 X 3	100	700
FSFCS0504	5/16-18 X 1/2	100	1500
FSFCS0505	5/16-18 X 5/8	100	1500
FSFCS0506	5/16-18 X 3/4	100	1500
FSFCS0508	5/16-18 X 1	100	1000
FSFCS0510	5/16-18 X 1 1/4	100	1000
FSFCS0512	5/16-18 X 1 1/2	100	800
FSFCS0514	5/16-18 X 1 3/4	100	700
FSFCS0516	5/16-18 X 2	100	500

Part #	Size	Package Quantity	Bulk Quantity
FSFCS0520	5/16-18 X 2 1/2	100	500
FSFCS0522	5/16-18 X 2 3/4	100	400
FSFCS0524	5/16-18 X 3	100	400
FSFCS0532	5/16-18 X 4	50	300
FSFCS0605	3/8-16 X 5/8	100	1000
FSFCS0606	3/8-16 X 3/4	100	800
FSFCS0608	3/8-16 X 1	100	700
FSFCS0610	3/8-16 X 1 1/4	100	500
FSFCS0612	3/8-16 X 1 1/2	100	500
FSFCS0614	3/8-16 X 1 3/4	100	400
FSFCS0616	3/8-16 X 2	100	400
FSFCS0620	3/8-16 X 2 1/2	50	300
FSFCS0624	3/8-16 X 3	50	250
FSFCS0628	3/8-16 X 3 1/2	50	250
FSFCS0632	3/8-16 X 4	50	250
FSFCS0636	3/8-16 X 4 1/2	50	200
FSFCS0708	7/16-14 X 1	50	500
FSFCS0712	7/16-14 X 1 1/2	50	400
FSFCS0716	7/16-14 X 2	50	300
FSFCS0716	7/16-14 X 2	50	300
FSFCS0720	7/16-14 X 2 1/2	50	250
FSFCS0724	7/16-14 X 3	50	200
FSFCS0728	7/16-14 X 3 1/2	25	150
FSFCS0806	1/2-13 X 3/4	50	500
FSFCS0808	1/2-13 X 1	50	400
FSFCS0810	1/2-13 X 1 1/4	50	300
FSFCS0812	1/2-13 X 1 1/2	50	300
FSFCS0814	1/2-13 X 1 3/4	50	250
FSFCS0816	1/2-13 X 2	50	250
FSFCS0820	1/2-13 X 2 1/2	50	200
FSFCS0824	1/2-13 X 3	50	150
FSFCS0826	1/2-13 X 3 1/4	25	100
FSFCS0828	1/2-13 X 3 1/2	25	100
FSFCS0832	1/2-13 X 4	25	75
FSFCS0836	1/2-13 X 4 1/2	25	75
FSFCS1008	5/8-11 X 1	25	200
FSFCS1012	5/8-11 X 1 1/2	25	150

*Lead time on these sizes is 3-5 days

† Zinc Plated and Baked

SOCKET FLAT HEAD CAP SCREWS

SOCKET FLAT HEAD CAP SCREWS *continued from previous page

COARSE THREAD • PLAIN FINISH • MADE IN USA OR IMPORTED

Part #	Size	Package Quantity	Bulk Quantity
FSFCS1014	5/8-11 X 1 3/4	25	150
FSFCS1016	5/8-11 X 2	25	150
FSFCS1018	5/8-11 X 2 1/4	25	100
FSFCS1020	5/8-11 X 2 1/2	25	100
FSFCS1024	5/8-11 X 3	25	100
FSFCS1028	5/8-11 X 3 1/2	25	75
FSFCS1032	5/8-11 X 4	25	75
FSFCS1036	5/8-11 X 4 1/2	25	50
FSFCS1064	5/8-11 X 8	-	30
FSFCS1208	3/4-10 X 1	20	150

Part #	Size	Package Quantity	Bulk Quantity
FSFCS1210	3/4-10 X 1 1/4	20	100
FSFCS1212	3/4-10 X 1 1/2	20	100
FSFCS1216	3/4-10 X 2	20	75
FSFCS1218	3/4-10 X 2 1/4	20	75
FSFCS1220	3/4-10 X 2 1/2	20	75
FSFCS1224	3/4-10 X 3	20	75
FSFCS1232	3/4-10 X 4	20	50
FSFCS1616	1-8 X 2	10	40
FSFCS1644	1-8 X 5-1/2	-	25
FSFCS2040	1-1/4-7 X 5	-	10

*Lead time on these sizes is 3-5 days

† Zinc Plated and Baked

FINE THREAD • PLAIN FINISH • MADE IN USA OR IMPORTED

Part #	Size	Package Quantity	Bulk Quantity
FSFCSF01004	10-32 X 1/2	100	2500
FSFCSF01005	10-32 X 5/8	100	2500
FSFCSF01006	10-32 X 3/4	100	2500
FSFCSF01008	10-32 X 1	100	2500
FSFCSF01010	10-32 X 1 1/4	100	2500
FSFCSF0404	1/4-28 X 1/2	100	2500
FSFCSF0405	1/4-28 X 5/8	100	2500
FSFCSF0406	1/4-28 X 3/4	100	2500
FSFCSF0506	5/16-24 X 3/4	100	1500
FSFCSF0508	5/16-24 X 1	100	1000

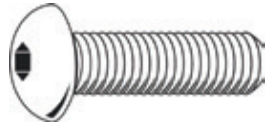
Part #	Size	Package Quantity	Bulk Quantity
FSFCSF0510	5/16-24 X 1 1/4	100	1000
FSFCSF0606	3/8-24 X 3/4	100	800
FSFCSF0608	3/8-24 X 1	100	700
FSFCSF0612	3/8-24 X 1 1/2	100	500
FSFCSF0616	3/8-24 X 2	100	400
FSFCSF0812	1/2-20 X 1 1/2	50	300
FSFCSF0816	1/2-20 X 2	50	250
FSFCSF0820	1/2-20 X 2 1/2	50	200
FSFCSF1016	5/8-18 X 2	25	150

18-8 STAINLESS STEEL • COARSE THREAD • IMPORTED

Part #	Size	Package Quantity
FSSSFCS1006	10-24 X 3/4	100
FSSSFCS1008	10-24 X 1	100
FSSSFCS404	1/4 X 1/2	100
FSSSFCS408	1/4 X 1	100
FSSSFCS506	5/16 X 3/4	100
FSSSFCS508	5/16 X 1	100
FSSSFCS510	5/16 X 1 1/4	100
FSSSFCS606	3/8 X 3/4	100
FSSSFCS608	3/8 X 1	100
FSSSFCS610	3/8 X 1 1/4	100

SOCKET BUTTON HEAD CAP SCREWS

COARSE THREAD • PLAIN FINISH • MADE IN USA OR IMPORTED



Socket Button Head Cap Screws are designed for use when a wider bearing surface is needed or to provide a more finished appearance.

Part #	Size	Package Quantity	Bulk Quantity
FSBCS01004	10-24 X 1/2	100	2500
FSBCS01005	10-24 X 5/8	100	2500
FSBCS01006	10-24 X 3/4	100	2500
FSBCS01014	10-24 X 1 3/4	100	2000
FSBCS0403	1/4-20 X 3/8	100	3000
FSBCS0404	1/4-20 X 1/2	100	2500
FSBCS0405	1/4-20 X 5/8	100	2500
FSBCS0406	1/4-20 X 3/4	100	2500
FSBCS0408	1/4-20 X 1	100	2000
FSBCS0414	1/4-20 X 1 3/4	100	1500
FSBCS0505	5/16-18 X 5/8	100	1500
FSBCS0506	5/16-18 X 3/4	100	1500
FSBCS0508	5/16-18 X 1	100	1000
FSBCS0512	5/16-18 X 1 1/2	100	800
FSBCS0514	5/16-18 X 1 3/4	100	800
FSBCS0516	5/16-18 X 2	100	700

Part #	Size	Package Quantity	Bulk Quantity
FSBCS0606	3/8-16 X 3/4	100	1000
FSBCS0608	3/8-16 X 1	100	800
FSBCS0610	3/8-16 X 1 1/4	100	700
FSBCS0612	3/8-16 X 1 1/2	100	500
FSBCS0614	3/8-16 X 1 3/4	100	500
FSBCS0618	3/8-16 X 2 1/4	50	400
FSBCS0626	3/8-16 X 3 1/4	50	250
FSBCS0808	1/2-13 X 1	50	400
FSBCS0810	1/2-13 X 1 1/4	50	300
FSBCS0812	1/2-13 X 1 1/2	50	300
FSBCS0816	1/2-13 X 2	50	200
FSBCS0820	1/2-13 X 2 1/2	50	200
FSBCS1010	5/8-11 X 1 1/4	25	200
FSBCS1012	5/8-11 X 1 1/2	25	150
FSBCS1016	5/8-11 X 2	25	150
FSBCS1024	5/8-11 X 3	25	100

Don't see the size you're looking for? Call us for availability!

FINE THREAD • PLAIN FINISH • IMPORTED

Part #	Size	Package Quantity	Bulk Quantity
FSBCSF01003	10-32 X 3/8	100	2500
FSBCSF01004	10-32 X 1/2	100	2500
FSBCSF01006	10-32 X 3/4	100	2500
FSBCSF0404	1/4-28 X 1/2	100	2500
FSBCSF0406	1/4-28 X 3/4	100	2500
FSBCSF0408	1/4-28 X 1	100	2000
FSBCSF0504	5/16-24 X 1/2	100	2000
FSBCSF0505	5/16-24 X 5/8	100	1500
FSBCSF0506	5/16-24 X 3/4	100	1500
FSBCSF0507	5/16-24 X 7/8	100	1500

Part #	Size	Package Quantity	Bulk Quantity
FSBCSF0508	5/16-24 X 1	100	1000
FSBCSF0512	5/16-24 X 1 1/2	100	800
FSBCSF0605	3/8-24 X 5/8	100	1300
FSBCSF0606	3/8-24 X 3/4	100	1000
FSBCSF0608	3/8-24 X 1	100	800
FSBCSF0610	3/8-24 X 1 1/4	100	700
FSBCSF0612	3/8-24 X 1 1/2	100	500
FSBCSF0808	1/2-20 X 1	100	400
FSBCSF0812	1/2-20 X 1 1/2	100	300

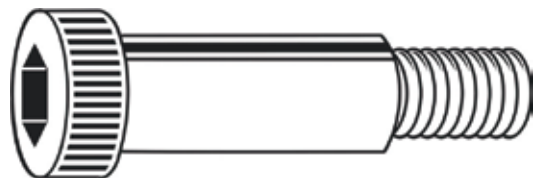
18-8 STAINLESS STEEL • COARSE THREAD • IMPORTED

Part #	Size	Package Quantity
FSSSBCS00804	8-32 X 1/2	100
FSSSBCS00807	8-32 X 7/8	100
FSSSBCS00808	8-32 X 1	100
FSSSBCS01008	10-24 X 1	100
FSSSBCS01012	10-24 X 1 1/2	100
FSSSBCS0404	1/4-20 X 1/2	100

Part #	Size	Package Quantity
FSSSBCS0406	1/4-20 X 3/4	100
FSSSBCS0408	1/4-20 X 1	100
FSSSBCS0508	5/16-18 X 1	100
FSSSBCS0516	5/16-18 X 2	100
FSSSBCS0624	3/8 X 3	50
FSSSBCS0628	3/8 X 3 1/2	50

SOCKET SHOULDER SCREWS

COARSE THREAD • PLAIN FINISH • MADE IN USA OR IMPORTED



Socket Shoulder Screws are designed for use in rotating or sliding applications. For example a bearing can be securely held in place on the shoulder and yet can rotate freely.

Part #	Size	Package Quantity	Bulk Quantity
FSHCSS0402	1/4 (#10-24) X 1/4	25	500
FSHCSS0404	1/4 (#10-24) X 1/2	25	500
FSHCSS0406	1/4 (#10-24) X 3/4	25	500
FSHCSS0407	1/4 (#10-24) X 7/8	25	500
FSHCSS0408	1/4 (#10-24) X 1	25	500
FSHCSS0412	1/4 (#10-24) X 1 1/2	25	300
FSHCSS0416	1/4 (#10-24) X 2	25	300
FSHCSS0432	1/4 (#10-24) X 4	25	200
FSHCSS0503	5/16 (1/4-20) X 3/8	25	500
FSHCSS0504	5/16 (1/4-20) X 1/2	25	500
FSHCSS0506	5/16 (1/4-20) X 3/4	25	500
FSHCSS0508	5/16 (1/4-20) X 1	25	500
FSHCSS0603	3/8 (5/16-18) X 3/8	25	500
FSHCSS0604	3/8 (5/16-18) X 1/2	25	500
FSHCSS0605	3/8 (5/16-18) X 5/8	25	500
FSHCSS0606	3/8 (5/16-18) X 3/4	25	500
FSHCSS0607	3/8 (5/16-18) X 7/8	25	500
FSHCSS0608	3/8 (5/16-18) X 1	25	500
FSHCSS0610	3/8 (5/16-18) X 1 1/4	25	300
FSHCSS0612	3/8 (5/16-18) X 1 1/2	25	300
FSHCSS0614	3/8 (5/16-18) X 1 3/4	25	250
FSHCSS0616	3/8 (5/16-18) X 2	25	250
FSHCSS0618	3/8 (5/16-18) X 2 1/4	25	250
FSHCSS0620	3/8 (5/16-18) X 2 1/2	25	250
FSHCSS0622	3/8 (5/16-18) X 2-3/4	25	200
FSHCSS0628	3/8 (5/16-18) X 3 1/2	25	200
FSHCSS0636	3/8 (5/16-18) X 4 1/2	25	150
FSHCSS0803	1/2 (3/8-16) X 3/8	25	300
FSHCSS0804	1/2 (3/8-16) X 1/2	25	300
FSHCSS0805	1/2 (3/8-16) X 5/8	25	300
FSHCSS0806	1/2 (3/8-16) X 3/4	25	300

Part #	Size	Package Quantity	Bulk Quantity
FSHCSS0807	1/2 (3/8-16) X 7/8	25	300
FSHCSS0808	1/2 (3/8-16) X 1	25	300
FSHCSS0810	1/2 (3/8-16) X 1 1/4	25	200
FSHCSS0812	1/2 (3/8-16) X 1 1/2	25	200
FSHCSS0816	1/2 (3/8-16) X 2	25	200
FSHCSS0820	1/2 (3/8-16) X 2 1/2	25	150
FSHCSS0822	1/2 (3/8-16) X 2 3/4	25	150
FSHCSS0824	1/2 (3/8-16) X 3	25	150
FSHCSS0828	1/2 (3/8-16) X 3 1/2	10	100
FSHCSS1004	5/8 (1/2-13) X 1/2	10	200
FSHCSS1006	5/8 (1/2-13) X 3/4	10	200
FSHCSS1008	5/8 (1/2-13) X 1	10	200
FSHCSS1010	5/8 (1/2-13) X 1 1/4	10	150
FSHCSS1012	5/8 (1/2-13) X 1 1/2	10	150
FSHCSS1014	5/8 (1/2-13) X 1 3/4	10	150
FSHCSS1016	5/8 (1/2-13) X 2	10	150
FSHCSS1020	5/8 (1/2-13) X 2 1/2	10	125
FSHCSS1206	3/4 (5/8-11) X 3/4	10	100
FSHCSS1212	3/4 (5/8-11) X 1 1/2	10	100
FSHCSS1214	3/4 (5/8-11) X 1 3/4	10	100
FSHCSS1216	3/4 (5/8-11) X 2	10	100
FSHCSS1220	3/4 (5/8-11) X 2 1/2	10	100
FSHCSS1222	3/4 (5/8-11) X 2 3/4	10	100
FSHCSS1224	3/4 (5/8-11) X 3	10	100
FSHCSS1232	3/4 (5/8-11) X 4	10	75
FSHCSS1234	3/4 (5/8-11) X 4 1/4	10	75
FSHCSS1236	3/4 (5/8-11) X 4 1/2	10	75
FSHCSS1618	1" (3/4-10) X 2 1/4	10	40
FSHCSS2018	1-1/4 (7/8-9) X 2 1/4	10	20
FSHCSS2020	1-1/4 (7/8-9) X 2 1/2	10	20
FSHCSS2024	1-1/4 (7/8-9) X 3	10	20

18-8 STAINLESS STEEL • COARSE THREAD • IMPORTED

Part #	Size	Package Quantity
FSSSHCSS0504	5/16 X 1/4	25
FSSSHCSS0512	5/16 X 3/4	25

SOCKET SET SCREWS

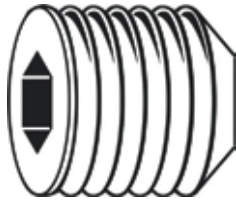
TECHNICAL INFORMATION

Dimensions

Set Screw Size	Allen Wrench Size	Point Diameter Cup Point	Cone Point Angle*
#6	1/16	0.069	3/16
#8	5/64	0.081	1/4
#10	3/32	0.095	1/4
1/4	1/8	0.125	5/16
5/16	5/32	0.164	3/8
3/8	3/16	0.203	7/16
7/16	7/32	0.242	1/2
1/2	1/4	0.280	9/16
5/8	5/16	0.359	3/4
3/4	3/8	0.437	7/8
7/8	1/2	0.516	1
1	9/16	0.584	1 1/8

*These lengths and longer have a 90° angle. Shorter lengths have a 118° angle.

CUP POINT • COARSE THREAD • PLAIN FINISH • IMPORTED



Cup Point Socket Set Screws are the most commonly used set screws. They are used where cutting in on the shaft is acceptable.

Part #	Size	Package Quantity	Bulk Quantity
FSSS000604	6-32 X 1/4	100	5000
FSSS000803	8-32 X 3/16	100	5000
FSSS000804	8-32 X 1/4	100	5000
FSSS000805	8-32 X 5/16	100	5000
FSSS000806	8-32 X 3/8	100	5000
FSSS000808	8-32 X 1/2	100	5000
FSSS000812	8-32 X 3/4	100	5000
FSSS001003	10-24 X 3/16	100	5000
FSSS001004	10-24 X 1/4	100	5000
FSSS001005	10-24 X 5/16	100	5000
FSSS001006	10-24 X 3/8	100	5000
FSSS001008	10-24 X 1/2	100	5000
FSSS001020	10-24 X 1 1/4	100	5000
FSSS00404	1/4-20 X 1/4	100	5000
FSSS00405	1/4-20 X 5/16	100	5000
FSSS00406	1/4-20 X 3/8	100	5000
FSSS00407	1/4-20 X 7/16	100	5000
FSSS00408	1/4-20 X 1/2	100	5000
FSSS00412	1/4-20 X 3/4	100	5000

Part #	Size	Package Quantity	Bulk Quantity
FSSS00414	1/4-20 X 7/8	100	5000
FSSS00424	1/4-20 X 1 1/2	100	3000
FSSS00504	5/16-18 X 1/4	100	5000
FSSS00505	5/16-18 X 5/16	100	5000
FSSS00506	5/16-18 X 3/8	100	5000
FSSS00507	5/16-18 X 7/16	100	5000
FSSS00508	5/16-18 X 1/2	100	5000
FSSS00512	5/16-18 X 3/4	100	4000
FSSS00514	5/16-18 X 7/8	100	3000
FSSS00516	5/16-18 X 1	100	3000
FSSS00520	5/16-18 X 1 1/4	100	2000
FSSS00604	3/8-16 X 1/4	100	5000
FSSS00605	3/8-16 X 5/16	100	5000
FSSS00606	3/8-16 X 3/8	100	5000
FSSS00607	3/8-16 X 7/16	100	5000
FSSS00608	3/8-16 X 1/2	100	5000
FSSS00610	3/8-16 X 5/8	100	3000
FSSS00612	3/8-16 X 3/4	100	3000
FSSS00616	3/8-16 X 1	100	2000

SOCKET SET SCREWS *CONTINUED FROM THE PREVIOUS PAGE

CUP POINT • COARSE THREAD • PLAIN FINISH • IMPORTED *CONTINUED FROM PREVIOUS PAGE

Part #	Size	Package Quantity	Bulk Quantity
FSSSO0624	3/8-16 X 1 1/2	100	1000
FSSSO0706	7/16-14 X 3/8	100	5000
FSSSO0707	7/16-14 X 7/16	100	5000
FSSSO0708	7/16-14 X 1/2	100	3000
FSSSO0710	7/16-14 X 5/8	100	3000
FSSSO0712	7/16-14 X 3/4	100	2000
FSSSO0724	7/16-14 X 1 1/2	50	1000
FSSSO0806	1/2 -13 X 3/8	100	4000
FSSSO0808	1/2-13 X 1/2	100	2500
FSSSO0810	1/2-13 X 5/8	100	2500
FSSSO0812	1/2-13 X 3/4	100	1500
FSSSO0816	1/2-13 X 1	50	1000
FSSSO0820	1/2-13 X 1 1/4	50	1000
FSSSO0824	1/2-13 X 1 1/2	50	700
FSSSO0828	1/2-13 X 1 3/4	25	700

Part #	Size	Package Quantity	Bulk Quantity
FSSSO0832	1/2-13 X 2	25	500
FSSSO0840	1/2-13 X 2 1/2	25	500
FSSSO0848	1/2-13 X 3	25	400
FSSSO1008	5/8-11 X 1/2	50	1500
FSSSO1012	5/8-11 X 3/4	50	1000
FSSSO1016	5/8-11 X 1	50	700
FSSSO1020	5/8-11 X 1 1/4	25	600
FSSSO1024	5/8-11 X 1 1/2	25	500
FSSSO1220	3/4-10 X 1 1/4	25	500
FSSSO1232	3/4-10 X 2	10	200
FSSSO1248	3/4-10 X 3	10	150
FSSSO1440	7/8-9 X 2 1/2	10	150
FSSSO1456	7/8-9 X 3 1/2	10	75
FSSSO1616	1-8 X 1	10	300

CUP POINT • FINE THREAD • PLAIN FINISH • IMPORTED

Part #	Size	Package Quantity	Bulk Quantity
FSSSOF01003	10-32 X 3/16	100	5000
FSSSOF01004	10-32 X 1/4	100	5000
FSSSOF01005	10-32 X 5/16	100	5000
FSSSOF01006	10-32 X 3/8	100	5000
FSSSOF01008	10-32 X 1/2	100	5000
FSSSOF01012	10-32 X 3/4	100	5000
FSSSOF0403	1/4-28 X 3/16	100	5000
FSSSOF0404	1/4-28 X 1/4	100	5000
FSSSOF0405	1/4-28 X 5/16	100	5000
FSSSOF0406	1/4-28 X 3/8	100	5000
FSSSOF0407	1/4-28 X 7/16	100	5000
FSSSOF0408	1/4-28 X 1/2	100	5000
FSSSOF0412	1/4-28 X 3/4	100	5000
FSSSOF0504	5/16-24 X 1/4	100	5000
FSSSOF0505	5/16-24 X 5/16	100	5000
FSSSOF0506	5/16-24 X 3/8	100	5000
FSSSOF0507	5/16-24 X 7/16	100	5000

Part #	Size	Package Quantity	Bulk Quantity
FSSSOF0508	5/16-24 X 1/2	100	5000
FSSSOF0512	5/16-24 X 3/4	100	4000
FSSSOF0605	3/8-24 X 5/16	100	5000
FSSSOF0606	3/8-24 X 3/8	100	5000
FSSSOF0607	3/8-24 X 7/16	100	5000
FSSSOF0608	3/8-24 X 1/2	100	5000
FSSSOF0612	3/8-24 X 3/4	100	3000
FSSSOF0706	7/16-20 X 3/8	100	5000
FSSSOF0708	7/16-20 X 1/2	100	3000
FSSSOF0710	7/16-20 X 5/8	100	3000
FSSSOF0712	7/16-20 X 3/4	100	2000
FSSSOF0808	1/2-20 X 1/2	100	2500
FSSSOF0810	1/2-20 X 5/8	100	2500
FSSSOF0812	1/2-20 X 3/4	100	1500
FSSSOF0816	1/2-20 X 1	50	1000
FSSSOF0824	1/2-20 X 1 1/2	50	700

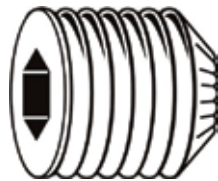
18-8 STAINLESS STEEL • CUP POINT • COARSE THREAD • IMPORTED

Part #	Size	Package Quantity
FSSSSS00304	10-24 X 1/4	100
FSSSSS00306	10-24 X 3/8	100
FSSSSS00404	1/4-20 X 1/4	100

Part #	Size	Package Quantity
FSSSSS00408	1/4-20 X 1/2	100
FSSSSS00508	5/16-18 X 1/2	100
FSSSSS00606	3/8-16 X 3/4	100

SOCKET SET SCREWS *CONTINUED FROM THE PREVIOUS PAGE

KNURLED CUP POINT • COARSE THREAD • PLAIN FINISH • IMPORTED



Knurled Cup Point Socket Set Screw are the same as the normal cup points with the addition of the locking action of the knurls.

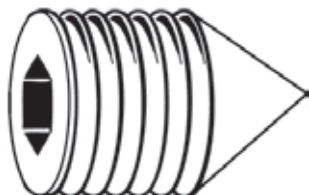
Part #	Size	Package Quantity	Bulk Quantity
FSSSOKP00604	6-32 X 1/4	100	5000
FSSSOKP00804	8-32 X 1/4	100	5000
FSSSOKP00806	8-32 X 3/8	100	5000
FSSSOKP01004	10-24 X 1/4	100	5000
FSSSOKP01006	10-24 X 3/8	100	5000
FSSSOKP0404	1/4-20 X 1/4	100	5000
FSSSOKP0405	1/4-20 X 5/16	100	5000
FSSSOKP0406	1/4-20 X 3/8	100	5000
FSSSOKP0408	1/4-20 X 1/2	100	5000
FSSSOKP0505	5/16-18 X 5/16	100	5000

Part #	Size	Package Quantity	Bulk Quantity
FSSSOKP0506	5/16-18 X 3/8	100	5000
FSSSOKP0508	5/16-18 X 1/2	100	5000
FSSSOKP0606	3/8-16 X 3/8	100	5000
FSSSOKP0612	3/8-16 X 3/4	100	3000
FSSSOKP0620	3/8-16 X 1 1/4	100	1500
FSSSOKP0708	7/16-14 X 1/2	100	3000
FSSSOKP0808	1/2-13 X 1/2	100	2500
FSSSOKP0812	1/2-13 X 3/4	100	1500
FSSSOKP0816	1/2-13 X 1	100	1000

KNURLED CUP POINT • FINE THREAD • PLAIN FINISH • IMPORTED

Part #	Size	Package Quantity	Bulk Quantity
FSSSOKPF01004	10-32 X 1/4	100	5000
FSSSOKPF01006	10-32 X 3/8	100	5000
FSSSOKPF0404	1/4-28 X 1/4	100	5000
FSSSOKPF0406	1/4-28 X 3/8	100	5000
FSSSOKPF0408	1/4-28 X 1/2	100	5000
FSSSOKPF0505	5/16-24 X 5/16	100	5000
FSSSOKPF0506	5/16-24 X 3/8	100	5000
FSSSOKPF0508	5/16-24 X 1/2	100	5000
FSSSOKPF0606	3/8-24 X 3/8	100	5000
FSSSOKPF0608	3/8-24 X 1/2	100	5000
FSSSOKPF0612	3/8-24 X 3/4	100	3000

CONE POINT • COARSE THREAD • PLAIN FINISH • IMPORTED



Cone Point Socket Set Screws are designed for permanent setting on soft and hard shafts.

Part #	Size	Package Quantity	Bulk Quantity
FSSSOC0410	1/4-20 X 5/8	100	5000
FSSSOC0612	3/8-16 X 3/4	100	3000

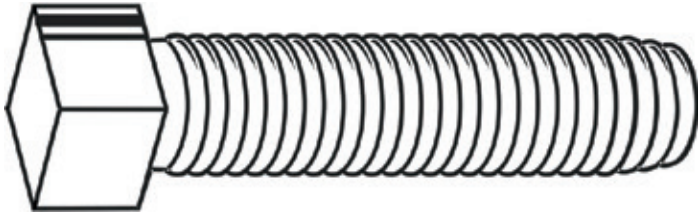
SQUARE HEAD SET SCREWS

TECHNICAL INFORMATION

Dimensions

Size	Head Width	Head Height
1/4	1/4	0.187
5/16	5/16	0.235
3/8	3/8	0.282
7/16	7/16	0.328
1/2	1/2	0.375
5/8	5/8	0.469
3/4	3/4	0.563
7/8	7/8	0.657
1	1	0.750

CUP POINT • COARSE THREAD • PLAIN FINISH • IMPORTED



Square Head Set Screws give the advantage of an exterior wrenching surface and may be especially used in dirty environments where removal is difficult with socket set screws.

Part #	Size	Package Quantity	Bulk Quantity
FSSSQ404	1/4-20 X 1/2	100	6000
FSSSQ406	1/4-20 X 3/4	100	4000
FSSSQ408	1/4-20 X 1	100	3000
FSSSQ410	1/4-20 X 1 1/4	100	3000
FSSSQ412	1/4-20 X 1 1/2	100	2000
FSSSQ504	5/16-18 X 1/2	100	3000
FSSSQ505	5/16-18 X 5/8	100	3000
FSSSQ506	5/16-18 X 3/4	100	3000
FSSSQ508	5/16-18 X 1	100	2000
FSSSQ510	5/16-18 X 1 1/4	100	1500
FSSSQ512	5/16-18 X 1 1/2	100	1500
FSSSQ516	5/16-18 X 2	100	1000
FSSSQ604	3/8-16 X 1/2	100	2000
FSSSQ605	3/8-16 X 5/8	100	2000
FSSSQ606	3/8-16 X 3/4 *	100	1500
FSSSQ607	3/8-16 X 7/8	100	1500
FSSSQ608	3/8-16 X 1	100	1500
FSSSQ608	3/8-16 X 1†	100	1500
FSSSQ610	3/8-16 X 1 1/4	100	1000
FSSSQ612	3/8-16 X 1 1/2	100	1000
FSSSQ616	3/8-16 X 2	100	750
FSSSQ706	7/16-14 X 3/4	50	1000

Part #	Size	Package Quantity	Bulk Quantity
FSSSQ708	7/16-14 X 1	50	1000
FSSSQ710	7/16-14 X 1 1/4	50	700
FSSSQ714	7/16-14 X 1 3/4	50	700
FSSSQ806	1/2-13 X 3/4	50	800
FSSSQ808	1/2-13 X 1	50	700
FSSSQ810	1/2-13 X 1 1/4	50	600
FSSSQ812	1/2-13 X 1 1/2	50	500
FSSSQ814	1/2-13 X 1 3/4	50	400
FSSSQ816	1/2-13 X 2	50	400
FSSSQ820	1/2-13 X 2 1/2	50	350
FSSSQ824	1/2-13 X 3	50	250
FSSSQ828	1/2-13 X 3 1/2	25	250
FSSSQ832	1/2-13 X 4	25	250
FSSSQ1008	5/8-11 X 1	25	400
FSSSQ1012	5/8-11 X 1 1/2	25	200
FSSSQ1016	5/8-11 X 2	25	200
FSSSQ1020	5/8-11 X 2 1/2	25	200
FSSSQ1216	3/4-10 X 2	20	150
FSSSQ1220	3/4-10 X 2 1/2	20	150
FSSSQ1224	3/4-10 X 3	20	100
FSSSQ1424	7/8-9 X 3	15	100

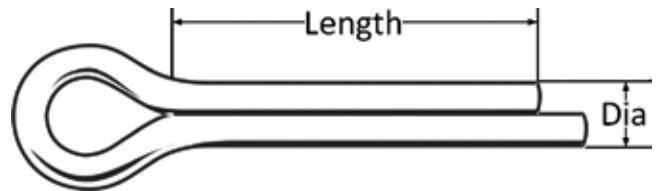
*Zinc Plated

† Cone Point

COTTER PINS

ZINC PLATED • MADE IN USA

Sizes marked with a * are non-stock and have a 3-6 day lead time.



Part #	Size	Package Quantity
FCP0402	1/16 X 1/2	100
FCP0403	1/16 X 3/4	100
FCP0404	1/16 X 1	100
FCP0405	1/16 X 1 1/4	100
FCP0502	5/64 X 1/2	100
FCP0503	5/64 X 3/4	100
FCP0504	5/64 X 1	100
FCP0505	5/64 X 1 1/4*	100
FCP0506	5/64 X 1 1/2*	100
FCP0507	5/64 X 1 3/4	100
FCP0508	5/64 X 2	100
FCP0602	3/32 X 1/2	100
FCP0603	3/32 X 3/4	100
FCP0604	3/32 X 1	100
FCP0605	3/32 X 1 1/4	100
FCP0606	3/32 X 1 1/2	100
FCP0607	3/32 X 1 3/4	100
FCP0608	3/32 X 2	100
FCP0703	7/64 X 3/4	100
FCP0704	7/64 X 1	100
FCP0705	7/64 X 1 1/4	100
FCP0706	7/64 X 1 1/2	100
FCP0707	7/64 X 1 3/4	100
FCP0708	7/64 X 2	100
FCP0802	1/8 X 1/2	100
FCP0803	1/8 X 3/4	100
FCP0804	1/8 X 1	100
FCP0805	1/8 X 1 1/4	100
FCP0806	1/8 X 1 1/2	100
FCP0807	1/8 X 1 3/4	100
FCP0808	1/8 X 2	100
FCP0810	1/8 X 2 1/2	100
FCP0812	1/8 X 3	100
FCP1003	5/32 X 3/4	100
FCP1004	5/32 X 1	100
FCP1005	5/32 X 1 1/4	100
FCP1006	5/32 X 1 1/2	100
FCP1007	5/32 X 1 3/4	100
FCP1008	5/32 X 2	100
FCP1009	5/32 X 2 1/4	100

Part #	Size	Package Quantity
FCP1010	5/32 X 2 1/2	100
FCP1012	5/32 X 3	100
FCP1203	3/16 X 3/4	100
FCP1204	3/16 X 1	100
FCP1205	3/16 X 1 1/4	100
FCP1206	3/16 X 1 1/2	100
FCP1207	3/16 X 1 3/4	100
FCP1208	3/16 X 2	100
FCP1209	3/16 X 2 1/4	100
FCP1210	3/16 X 2 1/2	100
FCP1212	3/16 X 3	100
FCP1214	3/16 X 3 1/2	100
FCP1216	3/16 X 4	100
FCP1404	7/32 X 1	100
FCP1406	7/32 X 1 1/2	100
FCP1408	7/32 X 2	100
FCP1409	7/32 X 2 1/4	100
FCP1410	7/32 X 2 1/2	100
FCP1412	7/32 X 3	100
FCP1605	1/4 X 1 1/4	50
FCP1606	1/4 X 1 1/2	50
FCP1607	1/4 X 1 3/4	50
FCP1608	1/4 X 2	50
FCP1610	1/4 X 2 1/2	50
FCP1612	1/4 X 3	50
FCP1614	1/4 X 3 1/2	50
FCP1616	1/4 X 4	50
FCP2006	5/16 X 1 1/2	50
FCP2008	5/16 X 2	50
FCP2010	5/16 X 2 1/2	50
FCP2012	5/16 X 3	50
FCP2014	5/16 X 3 1/2	50
FCP2016	5/16 X 4	50
FCP2020	5/16 X 5	50
FCP2408	3/8 X 2	50
FCP2410	3/8 X 2 1/2*	50
FCP2412	3/8 X 3	25
FCP2414	3/8 X 3 1/2	25
FCP2416	3/8 X 4	25
FCP2814	7/16 X 3 1/2	25

COTTER PINS & SPRING PINS (ROLL PINS)

COTTER PINS *CONTINUED FROM PREVIOUS PAGE

18-8 • STAINLESS STEEL • IMPORTED

Part #	Size	Package Quantity
FSSCP0805	1/8 X 1 1/4	100
FSSCP1208	3/16 X 2	100

SPRING PINS (ROLL PINS)

ZINC PLATED • MADE IN USA

Pin Size	Inside
5/32	3/32
7/32	1/8
1/4	5/32
5/16	3/16
3/8	7/32
1/2	5/16

Part #	Size	Uninstalled OD	Package Quantity
FSP0408	1/16 X 1/2	0.069	100
FSP0416	1/16 X 1	0.069	100
FSP0508	5/64 X 1/2	0.083	100
FSP0512	5/64 X 3/4	0.083	100
FSP0516	5/64 X 1	0.083	100
FSP0606	3/32 X 3/8	0.103	100
FSP0608	3/32 X 1/2	0.103	100
FSP0610	3/32 X 5/8	0.103	100
FSP0612	3/32 X 3/4	0.103	100
FSP0616	3/32 X 1	0.103	100
FSP0622	3/32 X 1 3/8	0.103	100
FSP0624	3/32 X 1 1/2	0.103	100
FSP0804	1/8 X 1/4	0.135	100
FSP0805	1/8 X 5/16	0.135	100
FSP0806	1/8 X 3/8	0.135	100
FSP0808	1/8 X 1/2	0.135	100
FSP0810	1/8 X 5/8	0.135	100
FSP0812	1/8 X 3/4	0.135	100
FSP0816	1/8 X 1	0.135	100
FSP0820	1/8 X 1 1/4	0.135	100
FSP0824	1/8 X 1 1/2	0.135	100
FSP0828	1/8 X 1 3/4	0.135	100
FSP0832	1/8 X 2	0.135	100
FSP1008	5/32 X 1/2	0.167	100
FSP1012	5/32 X 3/4	0.167	100
FSP1016	5/32 X 1	0.167	100



Spring Pins are made of carbon steel. Their size is given as the hole size they were designed for by the over all length. They can be doubled up for heavy duty applications. The chart to the left gives the sizes to use when doubling up.

Part #	Size	Uninstalled OD	Package Quantity
FSP1020	5/32 X 1 1/4	0.167	100
FSP1024	5/32 X 1 1/2	0.167	100
FSP1028	5/32 X 1 3/4	0.167	100
FSP1032	5/32 X 2	0.167	100
FSP1040	5/32 X 2 1/2	0.167	100
FSP1208	3/16 X 1/2	0.199	100
FSP1210	3/16 X 5/8	0.199	100
FSP1212	3/16 X 3/4	0.199	100
FSP1214	3/16 X 7/8	0.199	100
FSP1216	3/16 X 1	0.199	100
FSP1220	3/16 X 1 1/4	0.199	100
FSP1224	3/16 X 1 1/2	0.199	100
FSP1228	3/16 X 1 3/4	0.199	100
FSP1232	3/16 X 2	0.199	100
FSP1236	3/16 X 2 1/4	0.199	100
FSP1240	3/16 X 2 1/2	0.199	100
FSP1248	3/16 X 3	0.199	100
FSP1412	7/32 X 3/4	0.232	100
FSP1414	7/32 X 7/8	0.232	100
FSP1416	7/32 X 1	0.232	100
FSP1420	7/32 X 1 1/4	0.232	100
FSP1424	7/32 X 1 1/2	0.232	100
FSP1428	7/32 X 1 3/4	0.232	100
FSP1432	7/32 X 2	0.232	100
FSP1436	7/32 X 2 1/4	0.232	100
FSP1440	7/32 X 2 1/2	0.232	100

SPRING PINS (ROLL PINS)

SPRING PINS (ROLL PINS)

ZINC PLATED • MADE IN USA *CONTINUED FROM PREVIOUS PAGE

Part #	Size	Uninstalled OD	Package Quantity
FSP1448	7/32 X 3	0.232	100
FSP1608	1/4 X 1/2	0.264	100
FSP1612	1/4 X 3/4	0.264	100
FSPP1612	1/4 X 3/4*	0.264	100
FSP1616	1/4 X 1	0.264	100
FSP1620	1/4 X 1 1/4	0.264	100
FSP1624	1/4 X 1 1/2	0.264	100
FSP1628	1/4 X 1 3/4	0.264	100
FSP1632	1/4 X 2	0.264	100
FSP1636	1/4 X 2 1/4	0.264	100
FSP1640	1/4 X 2 1/2	0.264	100
FSP1648	1/4 X 3	0.264	50
FSP1656	1/4 X 3 1/2	0.264	50
FSP2012	5/16 X 3/4	0.330	50
FSP2016	5/16 X 1	0.330	50
FSP2020	5/16 X 1 1/4	0.330	50
FSP2024	5/16 X 1 1/2	0.330	50
FSP2028	5/16 X 1 3/4	0.330	50
FSP2032	5/16 X 2	0.330	50
FSPP2032*	5/16 X 2*	0.330	50
FSP2036	5/16 X 2 1/4	0.330	50
FSP2040	5/16 X 2 1/2	0.330	50
FSP2044	5/16 X 2 3/4	0.330	50
FSP2048	5/16 X 3	0.330	50
FSP2052	5/16 X 3 1/4	0.330	50

Part #	Size	Uninstalled OD	Package Quantity
FSP2056	5/16 X 3 1/2	0.330	50
FSP2412	3/8 X 3/4	0.395	50
FSP2416	3/8 X 1	0.395	50
FSP2420	3/8 X 1 1/4	0.395	50
FSP2424	3/8 X 1 1/2	0.395	50
FSP2428	3/8 X 1 3/4	0.395	50
FSP2432	3/8 X 2	0.395	50
FSP2436	3/8 X 2 1/4	0.395	25
FSP2440	3/8 X 2 1/2	0.395	25
FSP2448	3/8 X 3	0.395	25
FSP2456	3/8 X 3 1/2	0.395	25
FSP2464	3/8 X 4	0.395	25
FSP2824	7/16 X 1 1/2	0.459	25
FSP2832	7/16 X 2	0.459	25
FSP2840	7/16 X 2 1/2	0.459	25
FSP2848	7/16 X 3	0.459	25
FSP2856	7/16 X 3 1/2	0.459	25
FSP2864	7/16 X 4	0.459	25
FSP3228	1/2 X 1 3/4	0.524	25
FSP3232	1/2 X 2	0.524	25
FSP3236	1/2 X 2 1/4	0.524	25
FSP3240	1/2 X 2 1/2	0.524	25
FSP3248	1/2 X 3	0.524	25
FSP3256	1/2 X 3 1/2	0.524	25

*Plain Finish

420 STAINLESS STEEL • IMPORTED

Part #	Size	Uninstalled OD	Package Quantity
FSSSP0412	1/16 X 3/4	0.069	100
FSSSP1620	1/4 X 1 1/4	0.264	100

SPIRAL SPRING PINS & CLEVIS PINS

SPIRAL SPRING PINS

PLAIN FINISH • MADE IN USA



Spiral Spring Pins are also known as Coiled Spring Pins. They are used in the same manner as standard spring pins but are for more heavy duty applications.

Part #	Size	Uninstalled OD	Package Quantity
FSPS0405	1/16 X 5/16	0.072	100
FSPS0620	3/32 X 1 1/4	0.105	100
FSPS0812	1/8 X 3/4	0.138	100
FSPS0820	1/8 X 1 1/4	0.138	100
FSPS1012	5/32 X 3/4	0.171	100
FSPS1020	5/32 X 1 1/4	0.171	100
FSPS1024	5/32 X 1 1/2	0.171	100
FSPS1216	3/16 X 1	0.205	100
FSPS1220	3/16 X 1 1/4	0.205	100
FSPS1224	3/16 X 1 1/2	0.205	100
FSPS1232	3/16 X 2	0.205	100
FSPS1414	7/32 X 7/8	0.238	100

Part #	Size	Uninstalled OD	Package Quantity
FSPS1424	7/32 X 1 1/2	0.238	100
FSPS1432	7/32 X 2	0.238	100
FSPS1620	1/4 X 1 1/4	0.271	100
FSPS1624	1/4 X 1 1/2	0.271	100
FSPS1632	1/4 X 2	0.271	100
FSPS2016	5/16 X 1	0.337	50
FSPS2020	5/16 X 1 1/4	0.337	50
FSPS2024	5/16 X 1 1/2	0.337	50
FSPS2032	5/16 X 2	0.337	50
FSPS2040	5/16 X 2 1/2	0.337	50
FSPS2424	3/8 X 1 1/2	0.403	50

CLEVIS PINS

TECHNICAL INFORMATION

Dimensions

Size	Head OD	Head Height	Hole Size
3/16	.32/.30	.07/.05	3/32
1/4	.38/.36	.10/.08	3/32
5/16	.44/.42	.10/.08	9/64
3/8	.51/.49	.13/.11	5/32
7/16	.57/.55	.16/.14	5/32
1/2	.63/.61	.16/.14	5/32
9/16	.82/.80	.21/.19	5/32
5/8	.82/.80	.21/.19	5/32
3/4	.94/.92	.26/.24	5/32
7/8	1.04/1.02	.32/.30	3/16
1	1.19/1.17	.35/.33	3/16

CLEVIS PINS

ZINC PLATED • MADE IN USA



Clevis Pins are a versatile and economical fastener. They are manufactured from low carbon steel.

Part #	Size	Effective Length	Package Quantity
FCL0312	3/16 X 1 1/2	1 23/64	25
FCL0406	1/4 X 3/4	39/64	25
FCL0408	1/4 X 1	55/64	25
FCL0409	1/4 X 1 1/8	63/64	25
FCL0410	1/4 X 1 1/4	1 7/64	25
FCL0412	1/4 X 1 1/2	1 23/64	25
FCL0414	1/4 X 1 3/4	1 39/64	25
FCL0416	1/4 X 2	1 55/64	25
FCL0418	1/4 X 2 1/4	2 7/64	25
FCL0420	1/4 X 2 1/2	2 23/64	25
FCL0507	5/16 X 7/8	21/32	25
FCL0508	5/16 X 1	25/32	25
FCL0510	5/16 X 1 1/4	1 1/32	25
FCL0512	5/16 X 1 1/2	1 9/32	25
FCL0514	5/16 X 1 3/4	1 17/32	25
FCL0516	5/16 X 2	1 25/32	25
FCL0520	5/16 X 2 1/2	2 9/32	25
FCL0606	3/8 X 3/4	33/64	25
FCL0608	3/8 X 1	49/64	25
FCL0609	3/8 X 1 1/8	57/64	25
FCL0610	3/8 X 1 1/4	1 1/64	25
FCL0612	3/8 X 1 1/2	1 17/64	25
FCL0614	3/8 X 1 3/4	1 33/64	25
FCL0616	3/8 X 2	1 49/64	25

Part #	Size	Effective Length	Package Quantity
FCL0620	3/8 X 2 1/2	2 17/64	25
FCL0624	3/8 X 3	2 49/64	25
FCL0628	3/8 X 3 1/2	3 17/64	25
FCL0708	7/16 X 1	49/64	25
FCL0712	7/16 X 1 1/2	1 17/64	25
FCL0716	7/16 X 2	1 49/64	25
FCL0720	7/16 X 2 1/2	2 17/64	25
FCL0808	1/2 X 1	49/64	25
FCL0810	1/2 X 1 1/4	1 1/64	25
FCL0812	1/2 X 1 1/2	1 17/64	25
FCL0814	1/2 X 1 3/4	1 33/64	25
FCL0816	1/2 X 2	1 49/64	25
FCL0820	1/2 X 2 1/2	2 17/64	25
FCL0824	1/2 X 3	2 49/64	25
FCL0828	1/2 X 3 1/2	3 17/64	25
FCL1010	5/8 X 1 1/4	1 1/64	10
FCL1012	5/8 X 1 1/2	1 17/64	10
FCL1016	5/8 X 2	1 49/64	10
FCL1020	5/8 X 2 1/2	2 17/64	10
FCL1024	5/8 X 3	2 49/64	10
FCL1028	5/8 X 3 1/2	3 17/64	10
FCL1224	3/4 X 3	2 49/64	10
FCL1236	3/4 X 4 1/2	3 17/64	10

PLAIN FINISH • MADE IN USA

Part #	Size	Effective Length	Package Quantity
FCLP0404	1/4 X 1/2	23/64	25
FCLP0408	1/4 X 1	55/64	25
FCLP0508	5/16 X 1	25/32	25
FCLP0516	5/16 X 2	1 25/32	25
FCLP0520	5/16 X 2 1/2	2 9/32	25
FCLP0521	5/16 X 2 5/8	2 13/32	25
FCLP0610	3/8 X 1 1/4	1 1/64	25
FCLP0612	3/8 X 1 1/2	1 17/64	25
FCLP0710	7/16 X 1 1/4	1 1/64	25

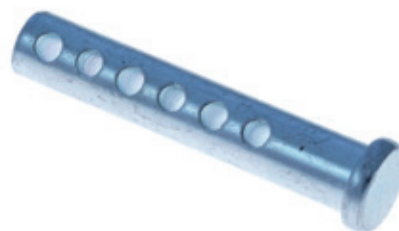
Part #	Size	Effective Length	Package Quantity
FCLP0810	1/2 X 1 1/4	1 1/64	25
FCLP0812	1/2 X 1 1/2	1 17/64	25
FCLP0814	1/2 X 1 3/4	1 33/64	25
FCLP0816	1/2 X 2	1 49/64	25
FCLP1028	5/8 X 3 1/2	3 17/64	10
FCLP1216	3/4 X 2	1 49/64	10
FCLP1240	3/4 X 5	4 49/64	10
FCLP1428	7/8 X 3 1/2	3 13/64	10

CLEVIS PINS & BRIDGE PINS

CLEVIS PINS *CONTINUED FROM PREVIOUS PAGE

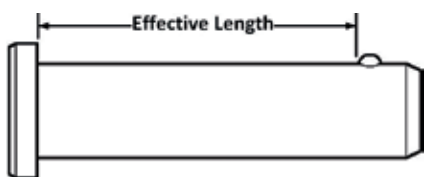
UNIVERSAL • ZINC PLATED • MADE IN USA

Part #	Size	Package Quantity
FCLU0416	1/4 X 2	25
FCLU0516	5/16 X 2	25
FCLU0616	3/8 X 2	25
FCLU0716	7/16 X 2	25
FCLU0816	1/2 X 2	25



Universal Clevis Pins have a series of holes making them adaptable to varying lengths.

COTTERLESS • ZINC PLATED • MADE IN USA



Cotterless Clevis Pins are quick disconnect pin that features a ball locking mechanism instead of a cotter pin or other fastener.

Part #	Size	Effective Length	Package Quantity
FCLC0408	1/4 X 1	3/4	25

BRIDGE PINS

ZINC PLATED • MADE IN USA



Bridge Pins are reusable and ideal for quick assembly and disassembly. Size is measured as wire diameter by overall length. They are manufactured from spring steel.

Part #	Description	Size	Use on Shaft Size	Package Quantity	Bulk Quantity
FBP21-01	21-01	.030 X 19/32	1/8	25	-
FBP1	#1	.059 X 1 1/8	1/4-5/16	25	-
FBP2	#2	.073 X 1 7/16	5/16-3/8	25	5000
FBP3	#3	.092 X 1 7/8	3/8-7/16	25	2500
FBP4	#4	.120 X 2 3/8	1/2-5/8	25	1000
FBP5	#5	.148 X 2 11/16	5/8-3/4	25	1000
FBP6	#6	.178 X 3 3/4	7/8-1	25	250
FBP21-09	21-09	.243 X 5	1 1/8-1 1/2	25	100
FBP21-041	21-041	.120 X 1 29/32	3/8	25	1000

BOW TIE LOCKING COTTERS & LYNCH PINS

BOW TIE LOCKING COTTERS

ZINC PLATED • MADE IN USA



Bow Tie Locking Cotter work like Bridge Pins but lock themselves in place.

Part #	Description	Size	Use on Shaft Size	Package Quantity
FBT72	#72	.072 X 1 3/8	1/4-3/8	25
FBT91	#91	.091 X 1 7/8	5/16-3/8	25
FBT120	#120	.120 X 2 3/4	7/16-1/2	25
FBT14810	#148-10	.148 X 3 9/16	5/8	25
FBT14812	#148-12	.148 X 3 9/16	3/4	25

LYNCH PINS

TECHNICAL INFORMATION

Dimensions

Diameter	Length Under Head	Effective Length	Ring ID
3/16	1 9/16	1 1/4	1 13/32
1/4	1 9/16	1 1/4	1 13/32
5/16	1 9/16	1 1/4	1 13/32
7/16	1 9/16	1 11/32	1 17/32



YELLOW ZINC PLATED • IMPORTED

Lynch Pins are an excellent quick disconnect fastener. The ring holds the pin securely in place and gives an easy grip when removing the pin.

Part #	Size	Discount Quantity
FLPC3	3/16 X 1 9/16	100
FLPC4	1/4 X 1 9/16	100
FLPC5	5/16 X 1 9/16	100
FLPC7	7/16 X 1 9/16	100

LOCK PINS

TECHNICAL INFORMATION

Dimensions

Diameter	Effective Length	Length Under Head	Wire Clearance
1/4	1 3/4	2	1 5/8
1/4	2 1/2	2 3/4	1 5/8
5/16	1 3/8	1 5/8	1 1/2
5/16	1 3/4	2	1 1/2
5/16	2 1/2	2 3/4	1 1/2
3/8	1 3/4	2	1 1/2
3/8	2 1/2	2 3/4	1 1/2
3/8	3	3 1/4	1 1/2

Lock Pins are a popular quick disconnect pin that find uses in many places. The retainer wire is made of tempered spring wire and the pin is made of low carbon steel.

SINGLE WIRE • ZINC PLATED • MADE IN USA

Part #	Size	Wire Configuration	Discount Quantity
FLPSW4S	1/4 X 1 3/4	ROUND	100
FLPSW4L	1/4 X 2 1/2	SQUARE	100
FLPSW5S	5/16 X 1 3/4	ROUND	100
FLPSW5	5/16 X 2 1/2	SQUARE	100
FLPSW6S	3/8 X 1 3/4	ROUND	100
FLPSW6	3/8 X 2 1/2	SQUARE	100
FLPSW6L	3/8 X 3*	SQUARE	100



*This size is imported.

DOUBLE WIRE • ZINC PLATED • MADE IN USA OR IMPORTED

Part #	Size	Wire Configuration	Discount Quantity
FLP4	1/4 X 1 3/4	ROUND	100
FLP4LR	1/4 X 2 1/2	ROUND	100
FLP511	5/16 X 1 3/8	ROUND	100
FLP5L	5/16 X 2 1/2	SQUARE	100
FLP6S	3/8 X 1 3/4	ROUND	100
FLP6L	3/8 X 2 1/2	SQUARE	100



COIL TENSION LOCK PINS & HITCH PINS

COIL TENSION LOCK PINS

TECHNICAL INFORMATION

Dimensions

Diameter	Effective Length	Wire Clearance	Length Under Head
1/4	3	1 5/8	3 7/16
5/16	3	1 9/16	3 7/16
5/16	4	2	4 7/16
3/8	3	1 1/2	3 7/16
3/8	3 1/2	1 3/4	3 15/16
3/8	4	2	4 7/16
1/2	3 1/2	2 3/4	4 1/8
1/2	4 1/2	3	5 1/8



ZINC PLATED • IMPORTED

Part #	Size	Discount Quantity
FLP424	1/4 X 3	100
FLP524	5/16 X 3	100
FLP532	5/16 X 4	100
FLP624	3/8 X 3	100
FLP628	3/8 X 3 1/2	100
FLP632	3/8 X 4	100
FLP828	1/2 X 3 1/2	100
FLPU828	1/2 X 3 1/2*	100
FLP836	1/2 X 4 1/2	100

*This item is made in USA.

HITCH PINS

YELLOW ZINC PLATED • MADE IN USA



Hitch Pins feature a large easy to grip pull ring. They are hardened to a core Rockwell hardness of C25-C34 for sizes up to 1" and C19-C30 for sizes larger than 1". Size is measured as diameter by length under the head to the end of the pin.

Part #	Size	Effective Length
FHP0635	3/8 X 4 3/8	4
FHP0838	1/2 X 4 3/4	4
FHP0852	1/2 X 6 1/2	5 3/4
FHP1038	5/8 X 4 3/4	4
FHP1046	5/8 X 5 3/4	5
FHP1054	5/8 X 6 3/4	6
FHP1238	3/4 X 4 3/4	4
FHP1248	3/4 X 6	5 1/4

Part #	Size	Effective Length
FHP1256	3/4 X 7	6 1/4
FHP1442	7/8 X 5 1/4	4 1/4
FHP1460	7/8 X 7 1/2	6 1/2
FHP1646	1 X 5 3/4	4 3/4
FHP1662	1 X 7 3/4	6 3/4
FHP1862	1 1/8 X 7 3/4	7
FHP2062	1 1/4 X 7 3/4	7
FHP2272	1 3/8 X 9	8

RED HANDLED HITCH, COTTERLESS HITCH & BENT PINS

RED HANDLED HITCH PINS

RED PLASTISOL COATED HEAD • MADE IN USA

Part #	Size
FHPRH0834	1/2 X 3 5/8
FHPRH1032	5/8 X 4
FHPRH1044	5/8 X 5 1/2
FHPRH1232	3/4 X 4
FHPRH1252	3/4 X 6 1/2
FHPRH1432	7/8 X 4
FHPRH1452	7/8 X 6 1/2
FHPRH1636	1 X 4 1/2
FHPRH1660	1 X 7 1/2
FHPRH1868	1 1/8 X 8 1/2
FHPRH2068	1 1/4 X 8 1/2
FHPRH2468	1 1/2 X 8 1/2
FHPRH2868	1 3/4 X 8 1/2

Hitch Pins feature a large easy to grip handle for their head. The red plastisol coated handle makes them easier to find and gives them a more comfortable grip. They are manufactured from high tensile steel and heat treated. Size is measured as diameter by effective length. Effective length is measured under the head to the nearest edge of the hole for the hairpin clip.

COTTERLESS HITCH PINS

ZINC PLATED • MADE IN USA



Cotterless Hitch Pins are a quick disconnect pin that features a ball locking mechanism in place of cotter pin or other fastener. They are manufactured of low carbon steel. Size is measured as diameter by length under the ring to the end of the pin.

Part #	Size	Effective Length	Discount Quantity
FHPC0313	3/16 X 1-9/16	1 5/16	100
FHPC0410	1/4 X 1-1/4	1	100
FHPC0414	1/4 X 1-3/4	1 1/2	100
FHPC0416	1/4 X 2 1/4	2	100

Part #	Size	Effective Length	Discount Quantity
FHPC0418	1/4 X 2-1/2	2 1/4	100
FHPC0606	3/8 X 1 1/8	7/8	100
FHPC0620	3/8 X 2-1/8	1 7/8	100
FHPC0824	1/2 X 3	2 3/4	100

BENT PINS

ZINC PLATED • MADE IN USA OR IMPORTED



Bent Pins are widely used as a quick disconnect for trailer hitches. They are manufactured from carbon steel and come with the matching bridge pin. Size is measured as diameter by length under the handle to the edge of the hole.

Part #	Size	Discount Quantity
FBEP0820	1/2 X 2 1/2	100
FBEP0824	1/2 X 3	100
FBEP1024	5/8 X 3	100
FBEP1032	5/8 X 4	100

DOWEL PINS & LANYARDS

DOWEL PINS

PLAIN FINISH • MADE IN USA



Dowel Pins are manufactured from alloy steel and hardened to Rockwell C60 Min. Their diameter is 0.0002 oversized.

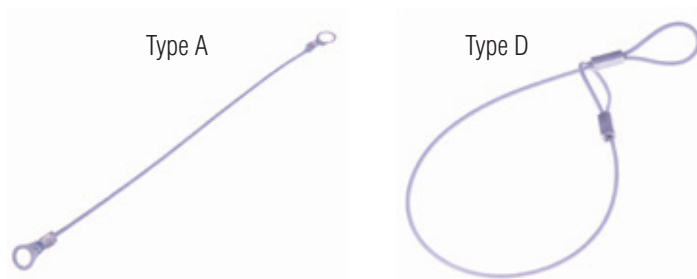
Part #	Size	Package Quantity	Bulk Quantity
FDPP0206	1/8 X 3/4	100	2000
FDPP0306	3/16 X 3/4	100	2000
FDPP0308	3/16 X 1	100	2000
FDPP0310	3/16 X 1 1/4	100	2000
FDPP0320	3/16 X 2 1/2	100	1500
FDPP0404	1/4 X 1/2	100	1000
FDPP0406	1/4 X 3/4	100	1000
FDPP0408	1/4 X 1	100	1000
FDPP0410	1/4 X 1 1/4	100	1000
FDPP0412	1/4 X 1 1/2	100	1000
FDPP0420	1/4 X 2-1/2	100	650
FDPP0508	5/16 X 1	100	1000
FDPP0512	5/16 X 1 1/2	100	1000

Part #	Size	Package Quantity	Bulk Quantity
FDPP0516	5/16 X 2	100	500
FDPP0608	3/8 X 1	100	1000
FDPP0612	3/8 X 1 1/2	100	600
FDPP0616	3/8 X 2	100	500
FDPP0620	3/8 X 2 1/2	100	400
FDPP0808	1/2 X 1	20	450
FDPP0810	1/2 X 1 1/4	20	450
FDPP0812	1/2 X 1 1/2	20	300
FDPP0816	1/2 X 2	20	300
FDPP0820	1/2 X 2 1/2	20	225
FDPP0824	1/2 X 3	20	200
FDPP1220	3/4 X 2 1/2	10	90

Don't see the size you're looking for? Call us for availability!

LANYARDS

NYLON COATED GALVANIZED STEEL • MADE IN USA



Lanyards are an excellent way to attach your pins so they don't get lost. Size is given as cable size by length. Length is measured from the inside of the eye to the inside of the eye for the type A and overall length for the type D.

Part #	Size	Type	Package Quantity
FL036A	3/64 X 6"	A	100
FL0312D	3/64 X 12"	D	100

We have other styles and sizes of lanyards available in 3-4 days. Please call us for pricing!

OPEN END BLIND RIVETS

TECHNICAL INFORMATION

Shear and Tensile Strength

Rivet Material	Body Material	Rivet Diameter	Shear Strength	Tensile Strength
Aluminum	Aluminum	1/8	155	240
		5/32	230	340
		3/16	330	515
		1/4	600	800
Aluminum	Steel	1/8	225	315
		3/16	465	700
		1/4	990	1195
Steel	Steel	1/8	305	410
		3/16	610	870
		1/4	1270	1550

Dimensions

Rivet Size	Body Diameter		Recommended Hole Size		Drill Size	Head Diameter		Head Height	Mandrel Diameter
	Min	Max	Min	Max		Min	Max		
1/8 DOME HEAD	0.1225	0.1275	0.1290	0.1330	#30	0.2380	0.2620	0.0500	0.0760
1/8 LARGE FLANGE	0.1225	0.1275	0.1290	0.1330	#30	0.3630	0.3870	0.0620	0.0760
5/32 DOME HEAD	0.1530	0.1590	0.1600	0.1640	#20	0.2970	0.3270	0.0560	0.0955
3/16 DOME HEAD	0.1845	0.1905	0.1920	0.1960	#11	0.3560	0.3940	0.0620	0.1140
3/16 LARGE FLANGE	0.1845	0.1905	0.1920	0.1960	#11	0.6060	0.6440	0.1080	0.1140
1/4 DOME HEAD	0.2470	0.2530	0.2570	0.2610	F	0.4750	0.5250	0.0930	0.1490

Open End Blind Rivets are especially designed to fasten things where there is access to only one side. They are an economical means of fastening anywhere when easy disassembly is not required. Large Flange rivets are especially suitable when fastening a softer material such as wood or plastic to metal. Size is given as rivet diameter by grip range (thickness of material to be fastened).



**CALL US WITH YOUR RIVETING NEEDS.
WE HAVE NEARLY ANY RIVET AVAILABLE INCLUDING THE ENTIRE HUCK LINE.**

OPEN END BLIND RIVETS

DOME HEAD • ALUMINUM RIVET ALUMINUM MANDREL • MADE IN USA OR IMPORTED

Part #	Size	Package Quantity	Bulk Quantity
FPRA0402	1/8 X 0.063-0.125	100	10000
FPRA0403	1/8 X 0.126-0.187	100	10000
FPRA0404	1/8 X 0.126-0.250	100	10000
FPRA0406	1/8 X 0.251-0.375	100	10000
FPRA0408	1/8 X 0.376-0.500	100	10000
FPRA0502	5/32 X 0.062-0.125	100	8000
FPRA0504	5/32 X 0.126-0.250	100	8000
FPRA0506	5/32 X 0.251-0.375	100	6000
FPRA0602	3/16 X 0.063-0.125	100	5000
FPRA0604	3/16 X 0.126-0.250	100	5000
FPRA0606	3/16 X 0.251-0.375	100	5000
FPRA0608	3/16 X 0.376-0.500	100	4000
FPRA0610	3/16 X 0.501-0.625	100	4000



Part #	Size	Package Quantity	Bulk Quantity
FPRA0612	3/16 X 0.626-0.750	100	4000
FPRA0616	3/16 X 0.876-1.000	100	3000
FPRA0804	1/4 X 0.126-0.250	100	2000
FPRA0806	1/4 X 0.251-0.375	100	2000
FPRA0808	1/4 X 0.376-0.500	100	2000
FPRA0812	1/4 X 0.626-0.750	100	2000

DOME HEAD • ALUMINUM RIVET ALUMINUM MANDREL • BLACK ANODIZED • IMPORTED

Part #	Size	Package Quantity	Bulk Quantity
FPRAB0404	1/8 X 0.126-0.250	100	10000
FPRAB0604	3/16 X 0.126-0.250	100	5000
FPRAB0606	3/16 X 0.251-0.375	100	5000
FPRAB0608	3/16 X 0.376-0.500	100	4000
FPRAB0610	3/16 X 0.501-0.625	100	4000

DOME HEAD • ALUMINUM RIVET ALUMINUM MANDREL • WHITE • IMPORTED

Part #	Size	Package Quantity	Bulk Quantity
FPRAW0402	1/8 X .063-.125	100	10000
FPRAW0404	1/8 X .188-.250	100	10000

LARGE FLANGE • ALUMINUM RIVET ALUMINUM MANDREL • MADE IN USA OR IMPORTED

Part #	Size	Package Quantity	Bulk Quantity
FPRALF0404	1/8 X 0.126-0.250	100	10000
FPRALF0606	3/16 X 0.251-0.375	100	5000
FPRALF0608	3/16 X 0.376-0.500	100	5000

DOME HEAD • STEEL RIVET STEEL MANDREL • MADE IN USA OR IMPORTED

Part #	Size	Package Quantity	Bulk Quantity
FPRS0402	1/8 X 0.063-0.125	100	10000
FPRS0403	1/8 X 0.126-0.187	100	10000
FPRS0404	1/8 X 0.188-0.250	100	10000
FPRS0406	1/8 X 0.251-0.375	100	10000
FPRS0408	1/8 X 0.376-0.500	100	10000
FPRS0410	1/8 X 0.501-0.625	100	10000
FPRS0602	3/16 X 0.063-0.125	100	5000
FPRS0604	3/16 X 0.126-0.250	100	5000

Part #	Size	Package Quantity	Bulk Quantity
FPRS0606	3/16 X 0.251-0.375	100	5000
FPRS0608	3/16 X 0.376-0.500	100	4000
FPRS0610	3/16 X 0.501-0.625	100	4000
FPRS0806	1/4 X 0.251-0.375	100	2000
FPRS0808	1/4 X 0.376-0.500	100	2000
FPRS0810	1/4 X 0.501-0.625	100	2000
FPRS0812	1/4 X 0.626-0.750	100	2000

OPEN END BLIND RIVETS

LARGE FLANGE • STEEL RIVET STEEL MANDREL • IMPORTED

Part #	Size	Package Quantity	Bulk Quantity
FPRSLF0606	3/16 X 0.313-0.375	100	3000
FPRSLF0608	3/16 X 0.376-0.500	100	3000

Part #	Size	Package Quantity	Bulk Quantity
FPRSLF0610	3/16 X 0.501-0.625	100	2000
FPRSLF0810	1/4 X 0.500-0.625	100	1000

DOME HEAD • ALUMINUM RIVET STEEL MANDREL • MADE IN USA OR IMPORTED

Part #	Size	Package Quantity	Bulk Quantity
FPRSA0402	1/8 X 0.032-0.125	100	10000
FPRSA0403	1/8 X 0.126-0.187	100	10000
FPRSA0404	1/8 X 0.188-0.250	100	10000
FPRSA0606	3/16 X 0.313-0.375	100	5000
FPRSA0608	3/16 X 0.376-0.500	100	4000

Part #	Size	Package Quantity	Bulk Quantity
FPRSA0610	3/16 X 0.501-0.625	100	4000
FPRSA0616	3/16 X 0.876-1.000	100	3000
FPRSA0806	1/4 X 0.251-0.375	100	2000
FPRSA0808	1/4 X 0.376-0.500	100	2000

LARGE FLANGE • ALUMINUM RIVET STEEL MANDREL • IMPORTED

Part #	Size	Package Quantity	Bulk Quantity
FPRSALF0606	3/16 X 0.251-0.375	100	5000

DOME HEAD • STAINLESS STEEL RIVET STAINLESS STEEL MANDREL • MADE IN USA OR IMPORTED

Part #	Size	Package Quantity	Bulk Quantity
FSSPR42	1/8 X 0.063-0.125	100	10000
FSSPR44	1/8 X 0.126-0.250	100	10000
FSSPR46	1/8 X 0.251-0.375	100	10000
FSSPR48	1/8 X 0.376-0.500	100	10000
FSSPR52	5/32 X 0.126-0.250	100	10000
FSSPR62	3/16 X 0.063-0.125	100	5000
FSSPR64	3/16 X 0.126-0.250	100	5000
FSSPR66	3/16 X 0.251-0.375	100	4000
FSSPR68	3/16 X 0.376-0.500	100	4000
FSSPR86	1/4 X 0.251-0.375	100	-
FSSPR88	1/4 X 0.376-0.500	100	-

LARGE FLANGE • STAINLESS STEEL RIVET STAINLESS STEEL MANDREL • MADE IN USA OR IMPORTED

Part #	Size	Package Quantity	Bulk Quantity
FSSPRLF66	3/16 X 0.251-0.375	100	3000

MULTI GRIP • DOME HEAD • ALUMINUM RIVET STEEL MANDREL • MADE IN USA OR IMPORTED

Part #	Size	Package Quantity	Bulk Quantity
FPRMGA0604	3/16 X 0.062-0.250	100	4000
FPRMGA0607	3/16 X 0.187-0.437	100	4000
FPRMGSAL0608	3/16 X 0.251-0.500 LARGE FLANGE	100	3000

TRIFOLD BLIND RIVETS & KLIK-LOK STRUCTURAL RIVETS

TRIFOLD BLIND RIVETS

ALUMINUM • IMPORTED

Trifold Blind Rivets are designed to be used with soft brittle or thin materials. The trifold formation on the blind side applies the rivets clamping force over an increased area.



Part #	Size	Package Quantity	Bulk Quantity
FPRB0619	3/16 X .039-.157	100	5000
FPRB0630	3/16 X .157-.472	100	5000
FPRB0640	3/16 X .157-.625	100	5000

KLIK-LOK STRUCTURAL RIVETS

STEEL RIVET STEEL MANDREL • MADE IN USA

Dimensions



Size	Hole Size		Head OD	Head Height	Shear Strength	Tensile Strength
	MIN	MAX	MAX	MAX		
3/16	0.191	0.201	0.385	0.085	1450	1200
1/4	0.261	0.272	0.530	0.120	2750	2200

Klik-Lok Structural Rivets are a hole filling multigrip rivet and the rivet stem is mechanically locked into place. Since it is hole filling hole sizes do not have to be as exact and since it is multigrip it can fasten a wider range of material thicknesses.

Part #	Size	Package Quantity
FSRS64	3/16 X .062-.270	100
FSRS67	3/16 X .062-.437	100
FSRS810	1/4 X .080-.625	100
FSRS86	1/4 X .080-.375	100

ALUMINUM RIVET ALUMINUM MANDREL • MADE IN USA

Dimensions

Size	Hole Size		Head OD	Head Height	Shear Strength	Tensile Strength
	MIN	MAX	MAX	MAX		
3/16	0.191	0.201	0.385	0.085	700	580
1/4	0.261	0.272	0.530	0.120	1300	950

Klik-Lok Structural Rivets are a hole filling multigrip rivet and the rivet stem is mechanically locked into place. Since it is hole filling hole sizes do not have to be as exact and since it is multigrip it can fasten a wider range of material thicknesses.

Part #	Size	Package Quantity
FSRS64	3/16 X .062-.270	100
FSRS67	3/16 X .062-.437	100
FSRS810	1/4 X .080-.625	100
FSRS86	1/4 X .080-.375	100

RIVET NUTS & SEMI TUBULAR RIVETS

RIVET NUTS

TECHNICAL INFORMATION

Dimensions

Size	Drill Size	Head OD	Head Height	Body Diameter
				MAX
#10	19/64	0.415	0.030	0.296
1/4	25/64	0.500	0.030	0.390
5/16	17/32	0.685	0.035	0.530
3/8	17/32	0.685	0.035	0.530

LOW CARBON STEEL • ZINC PLATED • IMPORTED

Part #	Size	Package Quantity	Bulk Quantity
AV11312	10-24 X 0.020-0.130	50	2500
AV12978	10-32 X 0.020-0.130	50	2500
FRN1032225	10-32 X 0.130-0.225	100	5000
FRN420165	1/4-20 X 0.027-0.165	100	5000
FRN420260	1/4-20 X 0.165-0.260	100	4000
AV11314	5/16-18 X 0.040-0.200	25	1250
FRN518312	5/16-18 X 0.150-0.312	100	1000
FRN616312	3/8-16 X 0.150-0.312	100	1000



Rivet Nuts are designed to install threads in sheet or plate metal where a drilled and tapped thread is not an option.

302 STAINLESS STEEL • IMPORTED

Part #	Size	Package Quantity	Bulk Quantity
FSSRN1032130	10-32 X 0.020-0.130	100	1000
FSSRN420165	1/4-20 X 0.027-0.165	100	1000
FSSRN420260	1/4-20 X 0.165-0.260	100	1000
FSSRN518312	5/16-18 X 0.150-0.312	100	1000
FSSRN616312	3/8-16 X 0.150-0.312	100	1000

SEMI TUBULAR RIVETS

We have semi tubular rivets available. Please call us for pricing and availability.



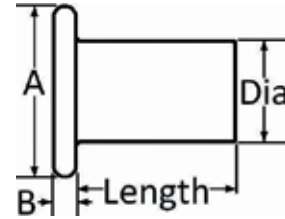
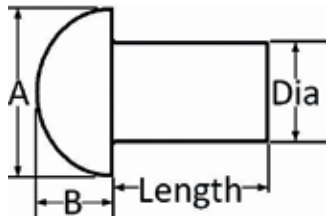
**NOW STOCKING & SERVICING
RIVET NUT TOOLS
SEE PAGES 390**



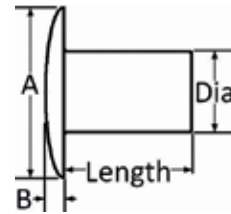
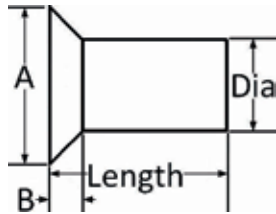
SOLID RIVETS

TECHNICAL INFORMATION

Dimensions



Rivet Size	Round (Button) Head				Flat Head			
	A		B		A		B	
	MAX	MIN	MAX	MIN	MAX	MIN	MAX	MIN
3/16	0.348	0.322	0.147	0.133	0.387	0.361	0.069	0.055
7/32	0.405	0.379	0.172	0.158	0.453	0.427	0.080	0.065
1/4	0.460	0.430	0.196	0.180	0.515	0.485	0.091	0.075
5/16	0.572	0.538	0.243	0.225	0.641	0.607	0.113	0.095
3/8	0.684	0.646	0.291	0.271	0.769	0.731	0.135	0.115
1/2	0.844	0.938	0.375	0.406	0.844	0.938	0.281	0.250
9/16	0.954	1.044	0.422	0.453	0.954	1.044	0.313	0.281



Rivet Size	Countersunk Head			Truss Head			
	A		B	A		B	
	MAX	MIN	REFERENCE	MAX	MIN	MAX	MIN
1/8	0.235	0.217	0.053	0.297	0.277	0.048	0.036
3/16	0.351	0.326	0.079	0.442	0.422	0.069	0.055
1/4	0.469	0.437	0.106	0.590	0.560	0.091	0.075
5/16	0.588	0.547	0.133	0.732	0.702	0.113	0.095
3/8	0.704	0.656	0.159	0.878	0.848	0.135	0.115

SOLID RIVETS

ROUND (BUTTON) HEAD • PLAIN FINISH • MADE IN USA

Part #	Size	Package Quantity
FRBH308	3/16 X 1/2	100
FRBH312	3/16 X 3/4	100
FRBH320	3/16 X 1 1/4	100
FRBH324	3/16 X 1 1/2	100
FRBH1428	7/32 X 7/16	100
FRBH408	1/4 X 1/2	100
FRBH410	1/4 X 5/8	100
FRBH412	1/4 X 3/4	100
FRBH416	1/4 X 1	100
FRBH424	1/4 X 1 1/2	100
FRBH432	1/4 X 2	100

Part #	Size	Package Quantity
FRBH440	1/4 X 2 1/2	100
FRBH456	1/4 X 3 1/2	100
FRBH512	5/16 X 3/4	100
FRBH516	5/16 X 1	100
FRBH520	5/16 X 1 1/4	100
FRBH612	3/8 X 3/4	100
FRBH616	3/8 X 1	100
FRBH624	3/8 X 1 1/2	100
FRBH640	3/8 X 2 1/2	50
FRBH648	3/8 X 3	50
FRBH924	9/16 X 1 1/2	25

FLAT HEAD • PLAIN FINISH • MADE IN USA

Part #	Size	Package Quantity
FRFH312	3/16 X 3/4	100
FRFH406	1/4 X 3/8	100
FRFH412	1/4 X 3/4	100
FRFH416	1/4 X 1	100
FRFH420	1/4 X 1 1/4	100
FRFH432	1/4 X 2	100
FRFH444	1/4 X 2 3/4	100
FRFH508	5/16 X 1/2	100
FRFH510	5/16 X 5/8	100
FRFH512	5/16 X 3/4	100

Part #	Size	Package Quantity
FRFH520	5/16 X 1 1/4	100
FRFH524	5/16 X 1 1/2	100
FRFH606	3/8 X 3/8	100
FRFH608	3/8 X 1/2	100
FRFH612	3/8 X 3/4	100
FRFH616	3/8 X 1	100
FRFH620	3/8 X 1 1/4	100
FRFH624	3/8 X 1 1/2	100
FRFH632	3/8 X 2	100
FRFH810	1/2 X 5/8	50

COUNTERSUNK HEAD • PLAIN FINISH • MADE IN USA

Part #	Size	Package Quantity
FRCS410	1/4 X 5/8	100
FRCS412	1/4 X 3/4	100
FRCS416	1/4 X 1	100

Part #	Size	Package Quantity
FRCS612	3/8 X 3/4	100
FRCS656	3/8 X 3 1/2	50

TRUSS HEAD • PLAIN FINISH • MADE IN USA

Part #	Size	Package Quantity
FRTH204	1/8 X 1/4	100
FRTH208	1/8 X 1/2	100
FRTH306	3/16 X 3/8	100
FRTH308	3/16 X 1/2	100
FRTH312	3/16 X 3/4	100
FRTH416	1/4 X 1	100
FRTH432	1/4 X 2	100
FRTH440	1/4 X 2 1/2	100

Part #	Size	Package Quantity
FRTH444	1/4 X 2 3/4	100
FRTH448	1/4 X 3	100
FRTH456	1/4 X 3 1/2	100
FRTH512	5/16 X 3/4	100
FRTH516	5/16 X 1	100
FRTH618	3/8 X 1 1/8	100
FRTH620	3/8 X 1 1/4	100

SICKLE BAR RIVETS

ROUND (OVAL) HEAD • PLAIN FINISH • MADE IN USA

Part #	Size	Package Quantity
FROH0509	5 1/2 X 9/16	2#
FROH0516	5 1/2 X 1	2#
FROH0520	5 1/2 X 1 1/4	2#

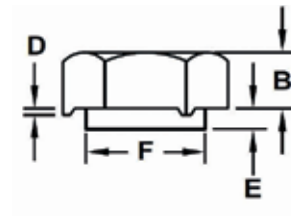
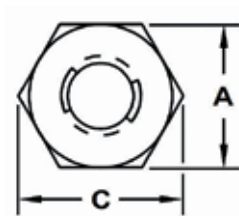
COUNTERSUNK HEAD • PLAIN FINISH • MADE IN USA

Part #	Size	Package Quantity
FRCS0508	5 1/2 X 1/2	2#
FRCS0509	5 1/2 X 9/16	2#
FRCS0514	5 1/2 X 7/8	2#
FRCS0515	5 1/2 X 15/16	2#
FRCS0516	5 1/2 X 1	2#

HEX WELD NUTS

TECHNICAL INFORMATION

Dimensions



Size	Pilot	A		B		D	E	F
		Width Across the Flats	Thickness		Projection Height +/- .003	Pilot Height +/- .005	Pilot Diameter +.000/- .012	
			MAX	MIN				
#10	SHORT	1/2	0.197	0.177	0.025	0.040	0.406	
1/4	LONG	1/2	0.197	0.177	0.040	0.085	0.406	
5/16	LONG	9/16	0.229	0.209	0.040	0.085	0.469	
3/8	LONG	5/8	0.260	0.240	0.040	0.085	0.531	
7/16	LONG	3/4	0.322	0.302	0.040	0.085	0.656	
1/2	LONG	13/16	0.385	0.365	0.040	0.085	0.719	
5/8	LONG	15/16	0.448	0.428	0.040	0.085	0.781	

PLAIN FINISH • MADE IN USA OR CANADA

Hex Weld Nuts make it easy to weld a nut to the parent material. The three uniform projections give reliable contact with the surface and the pilot accurately locates the threads in the pilot hole.

Part #	Size	Package Quantity	Bulk Quantity
FHWNF010	10-32	100	2000
FHWNL04	1/4-20	100	2000
FHWNL05	5/16-18	100	2000
FHWNL06	3/8-16	100	2000
FHWNL07	7/16-14	50	1000
FHWNL08	1/2-13	50	1000
FHWNL10	5/8-11	25	500

STAINLESS STEEL • MADE IN USA

Part #	Size	Package Quantity	Bulk Quantity
FSSHWN05	5/16-18*	100	2000

*Short Pilot. Pilot Height is 0.040 instead of 0.085.

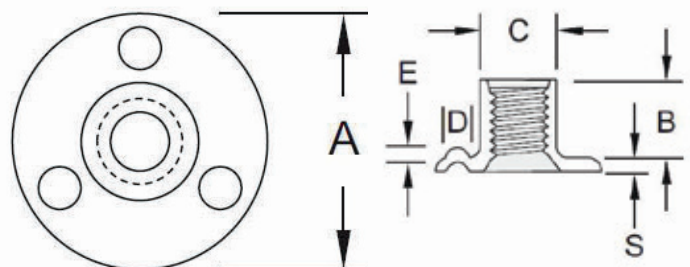
ROUND T & DOUBLE TAB SPOT-WELD NUTS (NO PROJECTIONS)

ROUND SPOT-WELD T NUTS (NO PROJECTIONS)

TECHNICAL INFORMATION

Dimensions

Size	A	S	B	C
	Flange Diameter	Flange Thickness	Barrel Length	Barrel Diameter
	+/- .015	+/- .015	+/- .015	+/- .015
#10	0.750	0.040	0.281	0.243
1/4	0.750	0.047	0.312	0.305
5/16	0.875	0.060	0.375	0.375
3/8	1.000	0.063	0.438	0.440



PLAIN FINISH • MADE IN USA

Round Spot-weld T Nuts are a versatile weld nut that can be used in FLush mount or through hole applications.

Part #	Size	Package Quantity	Bulk Quantity
FRSTN010*	10-24	100	-
FRSTN04	1/4-20	100	2000
FRSTN05	5/16-18	100	2000
FRSTN06	3/8-16	100	1000

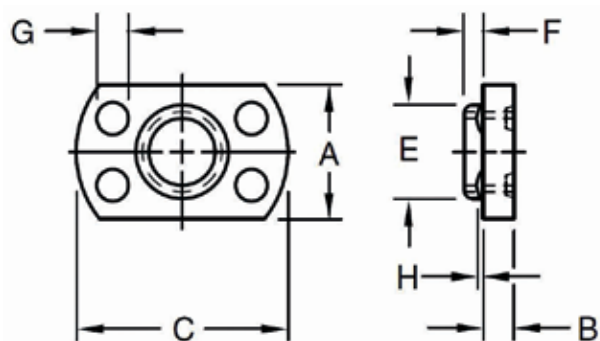
*Zinc Plated

DOUBLE TAB SPOT-WELD NUTS (NO PROJECTIONS)

TECHNICAL INFORMATION

Dimensions

Size	A	B	C	E	F
	Width	Thick-ness	Length	Pilot Diameter	Pilot Height
	+/- .015	+/- .003	+/- .015	+/- .010	
1/4	0.443	0.094	1.000	0.297	0.050
5/16	0.635	0.142	1.500	0.359	0.080
3/8	0.635	0.142	1.500	0.438	0.090



PLAIN FINISH • MADE IN USA OR CANADA

Double Tab Spot-weld Nuts are designed for applications requiring additional strength where there is tension against the weld. The pilot speeds location and they can be used to bridge corners or recessed areas.

Part #	Size	Package Quantity	Bulk Quantity
FTWN04	1/4-20	100	2000
FTWN05	5/16-18	100	1000
FTWN06	3/8-16	100	1000

SQUARE WELD NUTS & HEX WELD LOCK NUTS

SQUARE WELD NUTS

TECHNICAL INFORMATION

Dimensions

Size	Width Across Flats	Thickness	Pilot Height	Pilot Diameter
		+/- .008		
1/2	0.813	0.375	0.094	0.719
5/8	0.875	0.437	0.094	0.781



PLAIN FINISH • MADE IN USA

Square Weld Nuts were long a favorite weld nut. They feature four projections to ensure a strong reliable weld and a pilot for easy location.

Part #	Size	Package Quantity	Bulk Quantity
FSWN08	1/2-13	50	1000
FSWN10	5/8-11	25	500

HEX WELD LOCK NUTS

PLAIN FINISH • MADE IN USA

Part #	Size	Package Quantity	Bulk Quantity
FHWN04	1/4-20	100	2000
FHWN05	5/16-18	100	2000
FHWN06	3/8-16	100	2000
FHWN08	1/2-13	50	1000
FHWN10	5/8-11	25	500



Hex Weld Lock Nuts have the same features and dimensions as hex weld nuts with the added feature of a prevailing torque lock.

THREE PROJECTION WELD SCREW

THREE PROJECTION WELD SCREW

TECHNICAL INFORMATION

Dimensions

Size	A	H	P	F
	Head Diameter	Head Height	Projection Diameter	Projection Height
1/4	.575/.550	.083/.073	.105/.095	.042/.038
5/16	.755/.725	.099/.089	.125/.115	.047/.043
3/8	.880/.850	.114/.104	.135/.125	.052/.048
1/2	1.005/.975	.146/.136	.155/.145	.062/.058

PROJECTIONS UNDER HEAD • PLAIN FINISH • MADE IN USA

Three Projection Weld Screws with projections under the head are intended for through hole applications. The projections are of the exact size to ensure optimum welds and through-hole use allows self locating. Length is measured under the head to the end of the screw.

Part #	Size	Package Quantity	Bulk Quantity
FPWS30505	5/16-18 X 5/8	100	1000
FPWS30506	5/16-18 X 3/4	100	1000
FPWS0508	5/16-18 X 1*	100	1000
FPWS30512	5/16-18 X 1 1/2	100	1000
FPWS30608	3/8-16 X 1	100	1000
FPWS30612	3/8-16 X 1 1/2	100	500
FPWS30614	3/8-16 X 1 3/4	100	500
FPWS30808	1/2-13 X 1	50	500
FPWS30810	1/2-13 X 1 1/4	50	500
FPWS30812	1/2-13 X 1 1/2	50	300

*This size is stocked in ring projection weld screws. The ring projection is also under the head for through-hole applications and features some extra weld strength as well as sealing off the hole.

EXTERNAL RETAINING RINGS

PHOSPHATE COATED SPRING STEEL • MADE IN USA



External Retaining Rings are installed into a groove on a shaft to create a shoulder that retains an assembly on the shaft. The size is given as the shaft size the ring is used on. The free ID is the ring ID before it is installed.

Part #	Size	Free ID	Thickness	Discount Quantity
FRRE04	1/4	0.225	.025	100
FRRE05	5/16	0.281	.025	100
FRRE06	3/8	0.338	.025	100
FRRE07	7/16	0.395	.025	100
FRRE08	1/2	0.461	.035	100
FRRE09	9/16	0.521	.035	100
FRRE10	5/8	0.579	.035	100
FRRE11	11/16	0.635	.042	100
FRRE12	3/4	0.693	.042	100
FRRE13	13/16	0.751	.042	100
FRRE14	7/8	0.810	.042	100
FRRE15	15/16	0.867	.042	100
FRRE16	1	0.925	.042	100
FRRE17	1 1/16	0.982	.050	100
FRRE18	1 1/8	1.041	.050	100
FRRE19	1 3/16	1.098	.050	100
FRRE20	1 1/4	1.156	.050	100
FRRE21	1 5/16	1.214	.050	100
FRRE22	1 3/8	1.272	.050	100
FRRE23	1 7/16	1.333	.050	100
FRRE24	1 1/2	1.387	.050	100
FRRE25	1 9/16	1.446	.062	100
FRRE26	1 5/8	1.503	.062	100
FRRE27	1 11/16	1.560	.062	100
FRRE28	1 3/4	1.618	.062	100
FRRE29	1 13/16	1.637	.062	100
FRRE30	1 7/8	1.735	.062	100
FRRE32	2	1.850	.062	100
FRRE36	2 1/4	2.081	.078	100
FRRE38	2 3/8	2.197	.078	100
FRRE40	2 1/2	2.313	.078	100
FRRE44	2 3/4	2.543	.093	100
FRRE48	3	2.775	.093	100

INTERNAL RETAINING RINGS

PHOSPHATE COATED SPRING STEEL • MADE IN USA



Internal Retaining Rings are installed into a groove in a housing to create a shoulder that retains an assembly in the housing. The size is given as the housing ID the ring is used on. The free OD is the ring OD before it is installed.

Part #	Size	Free OD	Thickness	Discount Quantity
FRR104	1/4	0.280	.015	100
FRR105	5/16	0.346	.015	100
FRR106	3/8	0.415	.025	100
FRR107	7/16	0.482	.025	100
FRR108	1/2	0.548	.035	100
FRR109	9/16	0.620	.035	100
FRR110	5/8	0.694	.035	100
FRR111	11/16	0.763	.035	100
FRR112	3/4	0.831	.035	100
FRR113	13/16	0.901	.042	100
FRR114	7/8	0.971	.042	100
FRR115	15/16	1.041	.042	100
FRR116	1	1.111	.042	100
FRR117	1 1/16	1.180	.050	100
FRR118	1 1/8	1.249	.050	100
FRR119	1 3/16	1.319	.050	100
FRR120	1 1/4	1.388	.050	100
FRR121	1 5/16	1.456	.050	100
FRR122	1 3/8	1.526	.050	100
FRR123	1 7/16	1.596	.050	100
FRR124	1 1/2	1.660	.050	100
FRR125	1 9/16	1.734	.062	100
FRR126	1 5/8	1.804	.062	100
FRR127	1 11/16	1.874	.062	100
FRR128	1 3/4	1.942	.062	100
FRR129	1 13/16	2.012	.062	100
FRR130	1 7/8	2.072	.062	100
FRR131	1 15/16	2.141	.062	100
FRR132	2	2.210	.062	100
FRR134	2 1/8	2.350	.078	100
FRR135	2 3/16	2.415	.078	100
FRR136	2 1/4	2.490	.078	100
FRR138	2 3/8	2.630	.078	100
FRR140	2 1/2	2.775	.078	100
FRR144	2 3/4	3.050	.093	100
FRR148	3	3.325	.093	100
FRR152	3 1/4	3.623	.109	100

E-CLIPS

PHOSPHATE COATED • SPRING STEEL • MADE IN USA



E-Clips are installed into a groove on a shaft to create a shoulder that retains an assembly on the shaft. The size is given as the shaft size the ring is used on. The free ID is the ring ID before it is installed.

Part #	Size	Free ID	Thickness	Discount Quantity
FEC0175	7/64	0.076	.015	100
FEC0275	11/64	0.125	.025	100
FEC03	3/16	0.145	.025	100
FEC035	7/32	0.185	.025	100
FEC04	1/4	0.207	.025	100
FEC05	5/16	0.243	.025	100
FEC06	3/8	0.300	.035	100
FEC07	7/16	0.337	.035	100
FEC08	1/2	0.392	.042	100
FEC10	5/8	0.480	.042	100
FEC12	3/4	0.574	.050	100
FEC12S	3/4*	0.574	.050	100
FEC14	7/8	0.668	.050	100
FEC16	1	0.822	.050	100
FEC22	1 3/8	1.213	.062	100

*This ring has a smaller OD of 1" compared to 1 1/8 on the regular size.

THREADED WOOD INSERTS, PUSHNUT RETAINERS, PUSH-ON RETAINERS & CAP TYPE PUSH-ON RETAINERS

THREADED WOOD INSERTS

FLANGED • ZINC • DIE CAST • IMPORTED



Threaded wood inserts provide an easy way to put threads into wood. Simply drill a hole and drive the insert into the wood using its internal hex drive. They are manufactured from die cast zinc. Size is given as the internal thread by the over all length. The hole size that is given is the hole size you drill in the wood to place the insert.

Part #	Size	Hole Size	Hex Drive	Package Quantity
FTIHF1011	10-24 X11MM	7MM	M5	100
FTIHF413	1/4-20 X 13MM	9MM	M6	100
FTIHF513	5/16-18 X 13MM	11MM	M8	100

PUSHNUT RETAINERS

ZINC OR PHOSPHATE & OIL COATED • MADE IN USA

Part #	Size	OD	Package Quantity
AV10085	#8	3/8	100
AV16852	#10	7/16	100
AV10086	1/4	1/2	100
AV10087	5/16	5/8	100
AV09297	3/8	25/32	100
AV09299B	1/2	15/16	100



Pushnut Retainers provide a quick, easy way to hold a threaded fastener in place.

PUSH-ON RETAINERS

ZINC PLATED • IMPORTED

Part #	Size	OD	Package Quantity
AV10374B	3/8	3/4	100



Push-On Retainers are designed for non threaded applications.

CAP TYPE PUSH-ON RETAINERS

ZINC PLATED • MADE IN USA

Part #	Size	Washer OD	Cap Height	Package Quantity
AV14170	1/4	1/2	0.205	100
AV08719	3/8*	11/16	0.419	100
AV14174	5/8	1 3/16	0.693	50

*Nickel Plated



Cap Type Push-On Retainers give a finished appearance to an assembly.

ADJUSTABLE YOKE ENDS, SPRINGS, NYLON PUSH-IN RETAINERS & RUBBER GROMMETS

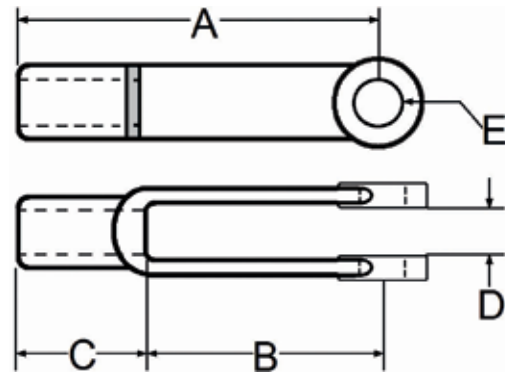
ADJUSTABLE YOKE ENDS

FINE THREAD • ZINC PLATED • MADE IN USA

Dimensions

Size	A	B	C	D	E
3/8-24	2 1/2	1 5/8	7/8	7/16	3/8
1/2-20	3	1 7/8	1 1/8	9/16	1/2

Part #	Size
EQBPB27084AZ	3/8-24
EQBPB27086ANFZ	1/2-20



SPRINGS



We have many types and sizes of springs available for larger quantity needs. Let us know what spring you need and we will be happy to quote you!

NYLON PUSH-IN RETAINERS

BLACK • MADE IN USA

Part #	Stem Diameter	Stem Length	Head OD	Package Quantity
AV15414	5/16	13/16	11/16	100



RUBBER GROMMETS

SBR MATERIAL • DUROMETER HARDNESS 60 • MADE IN USA OR IMPORTED



Part #	Bore	Groove Width	Groove OD	OD	Thickness	Package Quantity
AV16454	1/4	1/16	3/8	1/2	3/16	25
AV16458	1/2	1/8	3/4	1	1/2	25

MILLIMETER EQUIVALENTS IN INCHES & METRIC HEX CAP SCREWS

MILLIMETER EQUIVALENTS IN INCHES

Metric Size	Inch Equivalents
M3	0.1181
M3.5	0.1378
M4	0.1575
M5	0.1969
M6	0.2362
M7	0.2756
M8	0.3150
M10	0.3937
M12	0.4724

Metric Size	Inch Equivalents
M14	0.5512
M16	0.6299
M18	0.7087
M20	0.7874
M22	0.8661
M24	0.9449
M27	1.0630
M30	1.1811

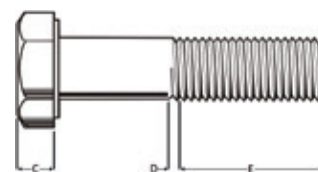
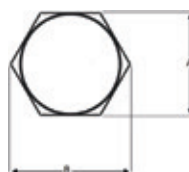
1 inch = 25.4 millimeters

METRIC HEX CAP SCREWS TECHNICAL INFORMATION

TECHNICAL INFORMATION

Rockwell Hardness

Class	Size	Hardness Rockwell
CLASS 8.8	UP TO M16	C22-C32
CLASS 8.8	LARGER THAN M16	C23-C34
CLASS 10.9	ALL	C32-C39



Dimensions

Size	A	B	C	D	
	Width Across the Flats	Width Across the Corners	Head Height	Thread Length up to 125 MM	Thread Length over 125 MM
M4	7	7.66	2.8	14	-
M5	8	8.79	3.5	16	-
M6	10	11.05	4.0	18	-
M7	11	12.12	4.8	20	-
M8	13	14.38	5.3	22	-
M10	16*	17.77*	6.4	26	-
M12	18*	20.03*	7.5	30	-
M14	21*	23.36*	8.8	34	40
M16	24	26.75	10.0	38	44
M18	27	30.14	11.5	42	48
M20	30	33.53	12.5	46	52
M24	36	39.98	15.0	54	60
M30	46	50.85	18.7	72	85

Common Metric Thread Pitches

Coarse	Fine	Extra Fine
M2-0.4		
M2.5-0.45		
M3-0.5		
M4-0.7		
M5-0.8		
M6-1.0		
M8-1.25	M8-1.0	
M10-1.5	M10-1.25	M10-1.0
M12-1.75	M12-1.5	M12-1.25
M14-2.0	M14-1.5	
M16-2.0	M16-1.5	
M18-2.5	M18-1.5	
M20-2.5	M20-1.5	
M22-2.5	M22-1.5	
M24-3.0	M24-2.0	

*ANSI Specs. DIN Specs for these sizes are as follows:

Size	Across Flats	Across Corners
M10	17	18.9
M12	19	21.1
M14	22	24.49

METRIC HEX CAP SCREWS

CLASS 8.8 • COARSE THREAD • ZINC PLATED • MADE IN CANADA OR IMPORTED

Hex Cap Screws Class 8.8 are manufactured to ISO, DIN, or ANSI specs. They are basically an equivalent of grade 5 in inch sizes.

Part #	Size	Farm Pack Quantity	Shop Pack Quantity	Bulk Quantity
FMH804006	M4-0.7 X 6	25	100	-
FMH804010	M4-0.7 X 10	25	100	10000
FMH804012	M4-0.7 X 12	25	100	10000
FMH804016	M4-0.7 X 16	25	100	8000
FMH804020	M4-0.7 X 20	25	100	7000
FMH804025	M4-0.7 X 25	25	100	6000
FMH804030	M4-0.7 X 30	25	100	5000
FMH804035	M4-0.7 X 35	25	100	-
FMH804040	M4-0.7 X 40	25	100	-
FMH805008	M5-0.8 X 8	25	100	-
FMH805010	M5-0.8 X 10	25	100	7000
FMH805012	M5-0.8 X 12	25	100	5000
FMH805014	M5-0.8 X 14	25	100	-
FMH805016	M5-0.8 X 16	25	100	5400
FMH805020	M5-0.8 X 20	25	100	4700
FMH805025	M5-0.8 X 25	25	100	4800
FMH805030	M5-0.8 X 30	25	100	3300
FMH805035	M5-0.8 X 35	25	100	2900
FMH805040	M5-0.8 X 40	25	100	3000
FMH805045	M5-0.8 X 45	25	100	-
FMH805050	M5-0.8 X 50	25	100	-
FMH805055	M5-0.8 X 55	25	100	-
FMH805060	M5-0.8 X 60	25	100	-
FMH805065	M5-0.8 X 65	25	100	-
FMH805080	M5-0.8 X 80	25	100	-
FMH806008	M6-1.0 X 8	25	100	-
FMH806010	M6-1.0 X 10	25	100	4000
FMH806012	M6-1.0 X 12	25	100	3500
FMH806016	M6-1.0 X 16	25	100	3000
FMH806018	M6-1.0 X 18	25	100	-
FMH806020	M6-1.0 X 20	25	100	3000
FMH806025	M6-1.0 X 25	25	100	2500
FMH806030	M6-1.0 X 30	25	100	2200
FMH806035	M6-1.0 X 35	25	100	1900
FMH806040	M6-1.0 X 40	25	100	1750
FMH806045	M6-1.0 X 45	25	100	1600
FMH806050	M6-1.0 X 50	25	100	1400
FMH806055	M6-1.0 X 55	25	100	1300
FMH806060	M6-1.0 X 60	25	100	1000
FMH806085	M6-1.0 X 85	25	100	750
FMH806100	M6-1.0 X 100	25	100	600
FMH807012	M7-1.0 X 12	25	100	-

Part #	Size	Farm Pack Quantity	Shop Pack Quantity	Bulk Quantity
FMH807016	M7-1.0 X 16	25	100	-
FMH807020	M7-1.0 X 20	25	100	-
FMH807030	M7-1.0 X 30	25	100	-
FMH807040	M7-1.0 X 40	25	100	-
FMH807055	M7-1.0 X 55	25	100	-
FMH807060	M7-1.0 X 60	25	100	-
FMH808010	M8-1.25 X 10	25	100	-
FMH808012	M8-1.25 X 12	25	100	-
FMH808016	M8-1.25 X 16	25	100	1700
FMH808020	M8-1.25 X 20	25	100	1500
FMH808025	M8-1.25 X 25	25	100	1350
FMH808030	M8-1.25 X 30	25	100	1150
FMH808035	M8-1.25 X 35	25	100	1000
FMH808040	M8-1.25 X 40	25	100	925
FMH808045	M8-1.25 X 45	25	100	850
FMH808050	M8-1.25 X 50	15	50	750
FMH808055	M8-1.25 X 55	15	50	700
FMH808060	M8-1.25 X 60	15	50	650
FMH808065	M8-1.25 X 65	15	50	600
FMH808070	M8-1.25 X 70	15	50	550
FMH808075	M8-1.25 X 75	15	50	550
FMH808090	M8-1.25 X 90	15	50	450
FMH808100	M8-1.25 X 100	15	50	400
FMH808120	M8-1.25 X 120	15	50	350
FMH808140	M8-1.25 X 140	15	50	300
FMH810010	M10-1.5 X 10	15	50	-
FMH810012	M10-1.5 X 12	15	50	1000
FMH810016	M10-1.5 X 16	15	50	950
FMH810020	M10-1.5 X 20	15	50	850
FMH810025	M10-1.5 X 25	15	50	750
FMH810030	M10-1.5 X 30	15	50	700
FMH810035	M10-1.5 X 35	15	50	600
FMH810040	M10-1.5 X 40	15	50	550
FMH810045	M10-1.5 X 45	15	50	500
FMH810050	M10-1.5 X 50	15	50	450
FMH810055	M10-1.5 X 55	15	50	450
FMH810060	M10-1.5 X 60	15	50	400
FMH810065	M10-1.5 X 65	15	50	350
FMH810070	M10-1.5 X 70	15	50	350
FMH810075	M10-1.5 X 75	15	50	300
FMH810080	M10-1.5 X 80	10	25	300
FMH810090	M10-1.5 X 90	10	25	250

METRIC HEX CAP SCREWS

CLASS 8.8 • COARSE THREAD • ZINC PLATED • MADE IN CANADA OR IMPORTED

*CONTINUED FROM PREVIOUS PAGE

Part #	Size	Farm Pack Quantity	Shop Pack Quantity	Bulk Quantity
FMH810100	M10-1.5 X 100	10	25	250
FMH810120	M10-1.5 X 120	10	25	200
FMH810130	M10-1.5 X 130	10	25	175
FMH812020	M12-1.75 X 20	15	50	600
FMH812025	M12-1.75 X 25	15	50	500
FMH812030	M12-1.75 X 30	15	50	450
FMH812035	M12-1.75 X 35	15	50	400
FMH812040	M12-1.75 X 40	15	50	370
FMH812045	M12-1.75 X 45	15	50	325
FMH812050	M12-1.75 X 50	15	50	300
FMH812060	M12-1.75 X 60	15	50	260
FMH812065	M12-1.75 X 65	15	50	250
FMH812070	M12-1.75 X 70	15	50	225
FMH812075	M12-1.75 X 75	15	50	225
FMH812080	M12-1.75 X 80	10	25	200
FMH812090	M12-1.75 X 90	10	25	175
FMH812100	M12-1.75 X 100	10	25	175
FMH812110	M12-1.75 X 110	10	25	150
FMH812120	M12-1.75 X 120	10	25	150
FMH812130	M12-1.75 X 130	10	25	125
FMH812150	M12-1.75 X 150	10	25	125
FMH812200	M12-1.75 X 200	10	25	90
FMH814020	M14-2.0 X 20	10	25	-
FMH814025	M14-2.0 X 25	10	25	350
FMH814030	M14-2.0 X 30	10	25	325
FMH814040	M14-2.0 X 40	10	25	275

Part #	Size	Farm Pack Quantity	Shop Pack Quantity	Bulk Quantity
FMH814045	M14-2.0 X 45	10	25	250
FMH814050	M14-2.0 X 50	10	25	230
FMH814060	M14-2.0 X 60	10	25	200
FMH814070	M14-2.0 X 70	10	25	175
FMH814075	M14-2.0 X 75	10	25	150
FMH814080	M14-2.0 X 80	10	25	150
FMH814100	M14-2.0 X 100	10	25	125
FMH816025	M16-2.0 X 25	10	25	250
FMH816030	M16-2.0 X 30	10	25	225
FMH816040	M16-2.0 X 40	10	25	200
FMH816045	M16-2.0 X 45	10	25	175
FMH816050	M16-2.0 X 50	10	25	165
FMH816060	M16-2.0 X 60	10	25	150
FMH816070	M16-2.0 X 70	10	25	125
FMH816080	M16-2.0 X 80	5	20	110
FMH816090	M16-2.0 X 90	5	20	100
FMH816100	M16-2.0 X 100	5	20	95
FMH816150	M16-2.0 X 150	5	20	70
FMH818060	M18-2.5 X 60	5	20	-
FMH820040	M20-2.5 X 40	5	20	110
FMH820050	M20-2.5 X 50	5	20	100
FMH820060	M20-2.5 X 60	5	20	90
FMH820070	M20-2.5 X 70	5	20	80
FMH820080	M20-2.5 X 80	5	20	70
FMH820090	M20-2.5 X 90	5	20	65
FMH820100	M20-2.5 X 100	5	20	60

CLASS 8.8 • FINE THREAD • ZINC PLATED • IMPORTED

Part #	Size	Farm Pack Quantity	Shop Pack Quantity
FMH8F08016	M8-1.0 X 16	25	100
FMH8F08020	M8-1.0 X 20	25	100
FMH8F08025	M8-1.0 X 25	25	100
FMH8F08030	M8-1.0 X 30	25	100
FMH8F08035	M8-1.0 X 35	25	100
FMH8F08040	M8-1.0 X 40	25	100
FMH8F08050	M8-1.0 X 50	25	100
FMH8F08060	M8-1.0 X 60	15	50
FMH8F08065	M8-1.0 X 65	15	50
FMH8F08070	M8-1.0 X 70	15	50
FMH8F10016	M10-1.25 X 16	15	50

Part #	Size	Farm Pack Quantity	Shop Pack Quantity
FMH8F10020	M10-1.25 X 20	15	50
FMH8F10025	M10-1.25 X 25	15	50
FMH8F10030	M10-1.25 X 30	15	50
FMH8F10035	M10-1.25 X 35	15	50
FMH8F10040	M10-1.25 X 40	15	50
FMH8F10045	M10-1.25 X 45	15	50
FMH8F10050	M10-1.25 X 50	15	50
FMH8F10060	M10-1.25 X 60	15	50
FMH8F10070	M10-1.25 X 70	15	50
FMH8F12020	M12-1.5 X 20	15	50
FMH8F12025	M12-1.5 X 25	15	50

METRIC HEX CAP SCREWS

CLASS 8.8 • FINE THREAD • ZINC PLATED • IMPORTED *CONTINUED FROM PREVIOUS PAGE

Part #	Size	Farm Pack Quantity	Shop Pack Quantity
FMH8F12030	M12-1.5 X 30	15	50
FMH8F12035	M12-1.5 X 35	15	50
FMH8F12040	M12-1.5 X 40	15	50
FMH8F12050	M12-1.5 X 50	15	50
FMH8F12055	M12-1.5 X 55	15	50
FMH8F12060	M12-1.5 X 60	15	50
FMH8F12070	M12-1.5 X 70	15	50
FMH8F12150	M12-1.5 X 150	10	25
FMH8F14030	M14-1.5 X 30	10	25
FMH8F14035	M14-1.5 X 35	10	25
FMH8F14040	M14-1.5 X 40	10	25
FMH8F14050	M14-1.5 X 50	10	25
FMH8F14060	M14-1.5 X 60	10	25
FMH8F14065	M14-1.5 X 65	10	25

Part #	Size	Farm Pack Quantity	Shop Pack Quantity
FMH8F14070	M14-1.5 X 70	10	25
FMH8F14075	M14-1.5 X 75	10	25
FMH8F14080	M14-1.5 X 80	10	25
FMH8F14130	M14-1.5 X 130	10	25
FMH8F16030	M16-1.5 X 30	10	25
FMH8F16035	M16-1.5 X 35	10	25
FMH8F16040	M16-1.5 X 40	10	25
FMH8F16050	M16-1.5 X 50	10	25
FMH8F16060	M16-1.5 X 60	10	25
FMH8F16070	M16-1.5 X 70	10	25
FMH8F16100	M16-1.5 X 100	10	25
FMH8F16160	M16-1.5 X 160	-	1
FMH8F20050	M20-1.5 X 50	5	20

CLASS 8.8 • EXTRA FINE THREAD • ZINC PLATED • IMPORTED

Part #	Size	Farm Pack Quantity	Shop Pack Quantity
FMH8EF10020	M10-1.0 X 20	15	50
FMH8EF10030	M10-1.0 X 30	15	50
FMH8EF10035	M10-1.0 X 35	15	50
FMH8EF10040	M10-1.0 X 40	15	50
FMH8EF10050	M10-1.0 X 50	15	50
FMH8EF10060	M10-1.0 X 60	15	50
FMH8EF10065	M10-1.0 X 65	15	50
FMH8EF10070	M10-1.0 X 70	15	50
FMH8EF12020	M12-1.25 X 20	15	50

Part #	Size	Farm Pack Quantity	Shop Pack Quantity
FMH8EF12025	M12-1.25 X 25	15	50
FMH8EF12030	M12-1.25 X 30	15	50
FMH8EF12035	M12-1.25 X 35	15	50
FMH8EF12040	M12-1.25 X 40	15	50
FMH8EF12050	M12-1.25 X 50	15	50
FMH8EF12055	M12-1.25 X 55	15	50
FMH8EF12060	M12-1.25 X 60	15	50
FMH8EF12070	M12-1.25 X 70	15	50
FMH8EF12090	M12-1.25 X 90	10	25

Class 8.8 fine thread and extra fine thread sizes will not be replaced as we run out of stock. We will be stocking Class 10.9 instead.

CLASS 10.9 • COARSE THREAD • ZINC PLATED • MADE IN USA OR IMPORTED

Hex Cap Screws Class 10.9 are manufactured to ISO, DIN, or ANSI specs. They are basically an equivalent of grade 8 in strength.

Part #	Size	Farm Pack Quantity	Shop Pack Quantity	Bulk Quantity
FMH006010	M6-1.0 X 10	25	100	5000
FMH006012	M6-1.0 X 12	25	100	3500
FMH006016	M6-1.0 X 16	25	100	4000
FMH006020	M6-1.0 X 20	25	100	3000
FMH006025	M6-1.0 X 25	25	100	2500
FMH006030	M6-1.0 X 30	25	100	2200
FMH006035	M6-1.0 X 35	25	100	1900
FMH006040	M6-1.0 X 40	25	100	1750
FMH006050	M6-1.0 X 50	25	100	1400

Part #	Size	Farm Pack Quantity	Shop Pack Quantity	Bulk Quantity
FMH006060	M6-1.0 X 60	25	100	1200
FMH006070	M6-1.0 X 70	25	100	900
FMH006080	M6-1.0 X 80	25	100	800
FMH006120	M6-1.0 X 120	25	100	350
FMH008016	M8-1.25 X 16	25	100	1700
FMH008020	M8-1.25 X 20	25	100	1500
FMH008025	M8-1.25 X 25	25	100	1350
FMH008030	M8-1.25 X 30	25	100	1150
FMH008035	M8-1.25 X 35	25	100	1000

METRIC HEX CAP SCREWS

CLASS 10.9 • COARSE THREAD • ZINC PLATED • MADE IN USA OR IMPORTED

*CONTINUED FROM PREVIOUS PAGE

Part #	Size	Farm Pack Quantity	Shop Pack Quantity	Bulk Quantity
FMH008040	M8-1.25 X 40	25	100	925
FMH008045	M8-1.25 X 45	25	100	850
FMH008050	M8-1.25 X 50	25	100	750
FMH008060	M8-1.25 X 60	15	50	650
FMH008070	M8-1.25 X 70	15	50	550
FMH008080	M8-1.25 X 80	15	50	550
FMH008085	M8-1.25 X 85	15	50	-
FMH008090	M8-1.25 X 90	15	50	450
FMH008100	M8-1.25 X 100	15	50	400
FMH010020	M10-1.50 X 20	15	50	850
FMH010025	M10-1.50 X 25	15	50	750
FMH010030	M10-1.50 X 30	15	50	700
FMH010035	M10-1.50 X 35	15	50	600
FMH010040	M10-1.50 X 40	15	50	550
FMH010045	M10-1.50 X 45	15	50	500
FMH010050	M10-1.50 X 50	15	50	450
FMH010055	M10-1.50 X 55	15	50	450
FMH010060	M10-1.50 X 60	15	50	400
FMH010065	M10-1.50 X 65	15	50	350
FMH010070	M10-1.50 X 70	15	50	350
FMH010080	M10-1.50 X 80	15	50	300
FMH010090	M10-1.50 X 90	10	25	250
FMH010100	M10-1.50 X 100	10	25	250
FMH010130	M10-1.50 X 130	10	25	200
FMH010160	M10-1.50 X 160	10	25	-
FMH012020	M12-1.75 X 20	15	50	600
FMH012025	M12-1.75 X 25	15	50	500
FMH012030	M12-1.75 X 30	15	50	450
FMH012035	M12-1.75 X 35	15	50	400
FMH012040	M12-1.75 X 40	15	50	370
FMH012050	M12-1.75 X 50	15	50	300
FMH012060	M12-1.75 X 60	15	50	260
FMH012065	M12-1.75 X 65	15	50	250
FMH012070	M12-1.75 X 70	15	50	225
FMH012080	M12-1.75 X 80	15	50	200
FMH012090	M12-1.75 X 90	10	25	175
FMH012100	M12-1.75 X 100	10	25	175
FMH012110	M12-1.75 X 110	10	25	150
FMH012140	M12-1.75 X 140	10	25	125
FMH014030	M14-2.0 X 30	10	25	300
FMH014040	M14-2.0 X 40	10	25	300
FMH014050	M14-2.0 X 50	10	25	250
FMH014060	M14-2.0 X 60	10	25	200

Part #	Size	Farm Pack Quantity	Shop Pack Quantity	Bulk Quantity
FMH014070	M14-2.0 X 70	10	25	200
FMH014080	M14-2.0 X 80	10	25	150
FMH014090	M14-2.0 X 90	10	25	150
FMH014100	M14-2.0 X 100	10	25	125
FMH014120	M14-2.0 X 120	10	25	100
FMH014150	M14-2.0 X 150	10	25	-
FMH016030	M16-2.0 X 30	10	25	225
FMH016040	M16-2.0 X 40	10	25	200
FMH016050	M16-2.0 X 50	10	25	165
FMH016060	M16-2.0 X 60	10	25	150
FMH016070	M16-2.0 X 70	10	25	125
FMH016080	M16-2.0 X 80	10	25	110
FMH016090	M16-2.0 X 90	10	25	100
FMH016100	M16-2.0 X 100	10	25	95
FMH016110	M16-2.0 X 110	10	25	90
FMH016120	M16-2.0 X 120	10	25	80
FMH016130	M16-2.0 X 130	10	25	75
FMH018040	M18-2.5 X 40	5	20	150
FMH018050	M18-2.5 X 50	5	20	125
FMH018060	M18-2.5 X 60	5	20	100
FMH018070	M18-2.5 X 70	5	20	100
FMH018080	M18-2.5 X 80	5	20	75
FMH018090	M18-2.5 X 90	5	20	75
FMH018100	M18-2.5 X 100	5	20	75
FMH018120	M18-2.5 X 120	5	20	60
FMH020040	M20-2.50 X 40	5	20	110
FMH020045	M20-2.50 X 45	5	20	100
FMH020050	M20-2.50 X 50	5	20	100
FMH020060	M20-2.50 X 60	5	20	90
FMH020070	M20-2.50 X 70	5	20	80
FMH020080	M20-2.50 X 80	5	20	70
FMH020090	M20-2.50 X 90	5	20	65
FMH020100	M20-2.50 X 100	5	20	60
FMH020110	M20-2.50 X 110	3	10	55
FMH020120	M20-2.50 X 120	3	10	50
FMH020140	M20-2.50 X 140	3	10	45
FMH020190	M20-2.50 X 190	-	1	35
FMH024065	M24-3.0 X 65	-	1	-
FMH024130	M24-3.0 X 130	-	1	30
FMH024150	M24-3.0 X 150	-	1	25
FMH024180	M24-3.0 X 180	-	1	25
FMH030100	M30-3.5 X 100	-	1	-

METRIC HEX CAP SCREWS

CLASS 10.9 • FINE THREAD • ZINC PLATED • IMPORTED

Part #	Size	Farm Pack Quantity	Shop Pack Quantity
FMH0F08016	M8-1.0 X 16	25	100
FMH0F08020	M8-1.0 X 20	25	100
FMH0F08025	M8-1.0 X 25	25	100
FMH0F08030	M8-1.0 X 30	25	100
FMH0F08035	M8-1.0 X 35	25	100
FMH0F08040	M8-1.0 X 40	25	100
FMH0F08045	M8-1.0 X 45	25	100
FMH0F08050	M8-1.0 X 50	25	100
FMH0F08060	M8-1.0 X 60	15	50
FMH0F08070	M8-1.0 X 70	15	50
FMH0F08080	M8-1.0 X 80	15	50
FMH0F10016	M10-1.25 X 16	15	50
FMH0F10020	M10-1.25 X 20	15	50
FMH0F10025	M10-1.25 X 25	15	50
FMH0F10030	M10-1.25 X 30	15	50
FMH0F10035	M10-1.25 X 35	15	50
FMH0F10040	M10-1.25 X 40	15	50
FMH0F10045	M10-1.25 X 45	15	50

Part #	Size	Farm Pack Quantity	Shop Pack Quantity
FMH0F10050	M10-1.25 X 50	15	50
FMH0F10055	M10-1.25 X 55	15	50
FMH0F10060	M10-1.25 X 60	15	50
FMH0F10065	M10-1.25 X 65	15	50
FMH0F10070	M10-1.25 X 70	15	50
FMH0F10080	M10-1.25 X 80	15	50
FMH0F10110	M10-1.25 X 110	10	25
FMH0F12020	M12-1.5 X 20	15	50
FMH0F12025	M12-1.5 X 25	15	50
FMH0F12030	M12-1.5 X 30	15	50
FMH0F12035	M12-1.5 X 35	15	50
FMH0F12040	M12-1.5 X 40	15	50
FMH0F12050	M12-1.5 X 50	15	50
FMH0F12060	M12-1.5 X 60	15	50
FMH0F12065	M12-1.5 X 65	15	50
FMH0F12070	M12-1.5 X 70	15	50
FMH0F12080	M12-1.5 X 80	15	50
FMH0F14080	M14-1.5 X 80	10	25

CLASS 10.9 • EXTRA FINE THREAD • ZINC PLATED • IMPORTED

Part #	Size	Farm Pack Quantity	Shop Pack Quantity
FMH0EF10020	M10-1.0 X 20	15	50
FMH0EF10030	M10-1.0 X 30	15	50
FMH0EF10040	M10-1.0 X 40	15	50
FMH0EF10050	M10-1.0 X 50	15	50
FMH0EF10060	M10-1.0 X 60	15	50
FMH0EF12020	M12-1.25 X 20	15	50
FMH0EF12025	M12-1.25 X 25	15	50
FMH0EF12030	M12-1.25 X 30	15	50
FMH0EF12040	M12-1.25 X 40	15	50
FMH0EF12050	M12-1.25 X 50	15	50
FMH0EF12070	M12-1.25 X 70	15	50

METRIC HEX CAP SCREWS

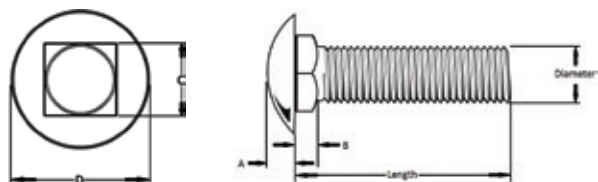
18-8 STAINLESS STEEL • COARSE THREAD • IMPORTED

Part #	Size	Farm Pack Quantity	Shop Pack Quantity
FSSMH06010	M6-1.0 X 10	25	100
FSSMH06016	M6-1.0 X 16	25	100
FSSMH06020	M6-1.0 X 20	25	100
FSSMH06025	M6-1.0 X 25	25	100
FSSMH06030	M6-1.0 X 30	25	100
FSSMH06040	M6-1.0 X 40	25	100
FSSMH08016	M8-1.25 X 16	25	100
FSSMH08020	M8-1.25 X 20	25	100
FSSMH08025	M8-1.25 X 25	25	100
FSSMH08030	M8-1.25 X 30	25	100
FSSMH08040	M8-1.25 X 40	25	100
FSSMH08050	M8-1.25 X 50	15	50
FSSMH08060	M8-1.25 X 60	15	50
FSSMH10020	M10-1.5 X 20	15	50
FSSMH10025	M10-1.5 X 25	15	50
FSSMH10030	M10-1.5 X 30	15	50
FSSMH10035	M10-1.5 X 35	15	50
FSSMH10040	M10-1.5 X 40	15	50
FSSMH10045	M10-1.5 X 45	15	50
FSSMH10050	M10-1.5 X 50	15	50
FSSMH10060	M10-1.5 X 60	15	50
FSSMH10070	M10-1.5 X 70	15	50
FSSMH10080	M10-1.5 X 80	10	25
FSSMH12025	M12-1.75 X 25	15	50
FSSMH12030	M12-1.75 X 30	15	50
FSSMH12040	M12-1.75 X 40	15	50
FSSMH12050	M12-1.75 X 50	15	50
FSSMH12060	M12-1.75 X 60	15	50
FSSMH12070	M12-1.75 X 70	15	50
FSSMH12080	M12-1.75 X 80	10	25

METRIC CARRIAGE BOLTS & METRIC FLANGE SCREWS

METRIC CARRIAGE BOLTS

Dimensions



Metric Carriage Bolts typically come in a class 4.6 which is basically equivalent to A307.

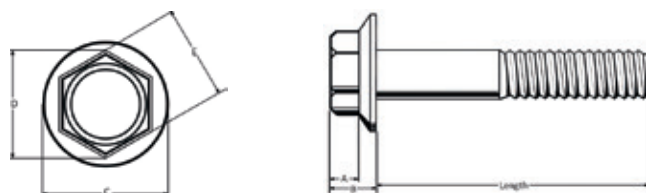
Size	A	B	C	D
	+/-0.4	+/-0.6	+/-0.58	+/-0.65
M8	4.4	5	8	19.35
M10	5.4	6	10	23.35

Part #	Size	Shop Pack Quantity
FMC08020	M8-1.25 X 20	100
FMC08035	M8-1.25 X 35	100
FMC10035	M10-1.5 X 35	50

METRIC FLANGE SCREWS

TECHNICAL INFORMATION

Dimensions



Size	A	B	C	D	E	Thread Length
	Min	Max	Max	Min	Max	Min
M6	2.50	6.60	14.20	10.95	10.00	20.00
M8	3.20	8.10	18.00	14.26	13.00	30.00
M10	3.60	9.20	22.30	16.50	15.00	35.00
M12	4.60	11.50	26.60	17.62	16.00	40.00
M16	5.80	14.40	35.00	23.15	21.00	50.00

SERRATED • CLASS 8.8 • COARSE THREAD • ZINC PLATED • IMPORTED

Part #	Size	Shop Pack Quantity
FMFS805012	M5-0.8 X 12	100
FMFS805016	M5-0.8 X 16	100
FMFS806025	M6-1.0 X 25	100
FMFS806035	M6-1.0 X 35	100
FMFS808020	M8-1.25 X 20	100

METRIC FLANGE SCREWS

CLASS 10.9 • COARSE THREAD • YELLOW ZINC • IMPORTED

Part #	Size	Shop Pack Quantity
FMFS006012	M6-1.00 X 12	100
FMFS006016	M6-1.00 X 16	100
FMFS006020	M6-1.00 X 20	100
FMFS006025	M6-1.00 X 25	100
FMFS008012	M8-1.25 X 12	100
FMFS008020	M8-1.25 X 20	100
FMFS008025	M8-1.25 X 25	100
FMFS008030	M8-1.25 X 30	100
FMFS008035	M8-1.25 X 35	100
FMFS008040	M8-1.25 X 40	100
FMFS008045	M8-1.25 X 45	100
FMFS008050	M8-1.25 X 50	100
FMFS008060	M8-1.25 X 60	50
FMFS010016	M10-1.5 X 16	50
FMFS010020	M10-1.5 X 20	50
FMFS010025	M10-1.5 X 25	50
FMFS010030	M10-1.5 X 30	50
FMFS010035	M10-1.5 X 35	50
FMFS010040	M10-1.5 X 40	50
FMFS010050	M10-1.5 X 50	50
FMFS010060	M10-1.5 X 60	25
FMFS010070	M10-1.5 X 70	25
FMFS012020	M12-1.75 X 20	50
FMFS012025	M12-1.75 X 25	50
FMFS012030	M12-1.75 X 30	50
FMFS012035	M12-1.75 X 35	50
FMFS012040	M12-1.75 X 40	50
FMFS012050	M12-1.75 X 50	50
FMFS012060	M12-1.75 X 60	50
FMFS012080	M12-1.75 X 80	50
FMFS014050	M14-2.0 X 50	25
FMFS016035	M16-2.0 X 35	25
FMFS016040	M16-2.0 X 40	25
FMFS016045	M16-2.0 X 45	25

Don't see the size you're looking for? Call us for availability!

CLASS 10.9 • FINE THREAD • YELLOW ZINC • IMPORTED

Part #	Size	Package Quantity
FMFS0F10025	M10-1.25 X 25	50
FMFS0F10030	M10-1.25 X 30	50
FMFS0F10040	M10-1.25 X 40	50
FMFS0F10050	M10-1.25 X 50	50

METRIC HEX CAP SCREWS DIN 933 (TAP BOLTS) & METRIC HEX NUTS

METRIC HEX CAP SCREWS DIN 933 (TAP BOLTS)

CLASS 8.8 • COARSE THREAD • ZINC PLATED • IMPORTED



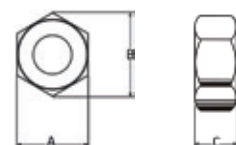
Metric Hex Cap Screws DIN 933 are fully threaded like a tap bolt. Their dimensions except for thread length are equivalent to other metric hex cap screws.

Part #	Size	Shop Pack Quantity	Bulk Quantity
FMHTB805050	M5-0.8 X 50	100	2500
FMHTB808070	M8-1.25 X 70	50	700

METRIC HEX NUTS

TECHNICAL INFORMATION

Dimensions



Size	A	B	C
	Max	Ref	Min
M3	5.5	6.01	2.15
M4	7	7.66	2.90
M5	8	8.79	3.70
M6	10	11.05	4.70
M7	11	12.12	5.20
M8	13	14.38	6.14
M10	17	17.77	7.64

Size	A	B	C
	Max	Ref	Min
M12	19	20.03	9.64
M14	22	23.35	10.30
M16	24	26.75	12.30
M18	27	29.56	14.30
M20	30	32.95	14.90
M24	36	39.55	17.70
M30	46	50.85	22.70

Metric Hex Nuts are manufactured to DIN 934 specs.

CLASS 8 • COARSE THREAD • ZINC PLATED • IMPORTED

Part #	Size	Shop Pack Quantity	Bulk Quantity
FMHN04	M4-0.7	100	20000
FMHN05	M5-0.8	100	15000
FMHN06	M6-1.0	100	8000
FMHN07	M7-1.0	100	-
FMHN08	M8 -1.25	100	3500
FMHN10	M10-1.5	50	1500
FMHN12	M12-1.75	50	1000
FMHN14	M14-2.0	25	750
FMHN16	M16-2.0	25	500
FMHN18	M18-2.5	25	-
FMHN20	M20-2.5	25	300
FMHN30	M30-3.5	10	-

METRIC HEX NUTS *CONTINUED FROM PREVIOUS PAGE

CLASS 8 • FINE THREAD • ZINC PLATED • IMPORTED

Part #	Size	Shop Pack Quantity
FMHNF08	M8-1.0	100
FMHNF10	M10-1.25	50
FMHNF12	M12-1.5	50
FMHNF14	M14-1.5	25

Part #	Size	Shop Pack Quantity
FMHNF16	M16-1.5	25
FMHNF18	M18-1.5	25
FMHNF20	M20-1.5	25

CLASS 8 • EXTRA FINE THREAD • ZINC PLATED • IMPORTED

Part #	Size	Shop Pack Quantity
FMHNEF10	M10-1.0	50
FMHNEF12	M12-1.25	50

CLASS 8 • EXTRA EXTRA FINE THREAD • ZINC PLATED • IMPORTED

Part #	Size	Shop Pack Quantity
FMHNEEF12	M12-1.0	50

CLASS 10 • COARSE THREAD • ZINC PLATED • IMPORTED

Part #	Size	Shop Pack Quantity	Bulk Quantity
FMHN006	M6-1.0	100	8000
FMHN008	M8-1.25	100	3500
FMHN010	M10-1.5	50	2500
FMHN012	M12-1.75	50	1000
FMHN014	M14-2.0	25	750

Part #	Size	Shop Pack Quantity	Bulk Quantity
FMHN016	M16-2.0	25	500
FMHN018	M18-2.5	25	200
FMHN020	M20-2.5	25	300
FMHN024	M24-3.0	10	150
FMHN030	M30-3.5	10	-

CLASS 10 • FINE THREAD • ZINC PLATED • IMPORTED

Part #	Size	Shop Pack Quantity
FMHNOF08	M8-1.0	100
FMHNOF10	M10-1.25	50
FMHNOF12	M12-1.5	50

CLASS 10 • EXTRA FINE THREAD • ZINC PLATED • IMPORTED

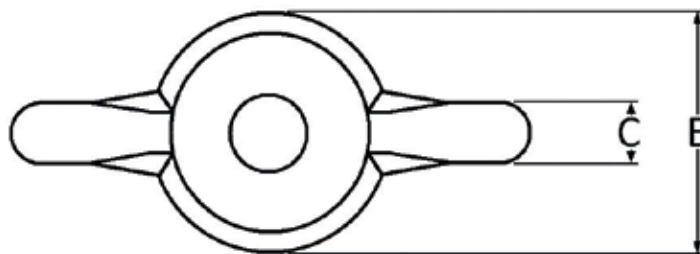
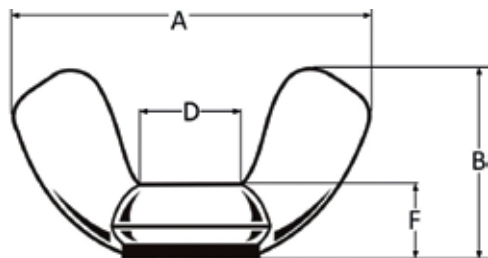
Part #	Size	Shop Pack Quantity
FMHNOEF10	M10-1.0	50
FMHNOEF12	M12-1.25	50

18-8 STAINLESS STEEL • COARSE THREAD • IMPORTED

Part #	Size	Package Quantity
FSSMHN05	M5-0.8	100
FSSMHN06	M6-1.0	100
FSSMHN08	M8-1.25	100
FSSMHN10	M10-1.5	50
FSSMHN12	M12-1.75	50

METRIC WING NUTS

METRIC WING NUTS



TECHNICAL INFORMATION

Dimensions

Size	A	B	C	E
	Ref	Ref	Min	Ref
M6	30.5	15	1.5	12.5
M8	36.5	18	2.0	14.5

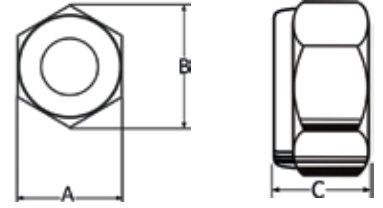
COARSE THREAD • ZINC PLATED • IMPORTED

Part #	Size	Shop Pack Quantity
FMWN06	M6-1.0	100
FMWN08	M8-1.25	100

METRIC NYLON INSERT LOCK NUTS

TECHNICAL INFORMATION

Dimensions



Size	A	B	C
	Max	Min	Max
M4	7	7.66	5
M5	8	8.79	5
M6	10	11.05	6
M7	11	12.12	7.5
M8	13	14.38	8
M10	17	18.9	10
M12	19	21.1	12
M16	24	26.75	16
M20	30	32.95	20

Metric Nylon Insert Lock Nuts are manufactured to DIN 985 specs.

CLASS 8 • COARSE THREAD • ZINC PLATED • IMPORTED

Part #	Size	Shop Pack Quantity	Bulk Quantity
FMLNN04	M4-0.7	100	5000
FMLNN05	M5-0.8	100	5000
FMLNN06	M6-1.0	100	3500
FMLNN07	M7-1.0	100	-
FMLNN08	M8-1.25	100	3000
FMLNN10	M10-1.5	50	2500
FMLNN12	M12-1.75	50	1000
FMLNN16	M16-2.0	25	500
FMLNN20	M20-2.5	25	400

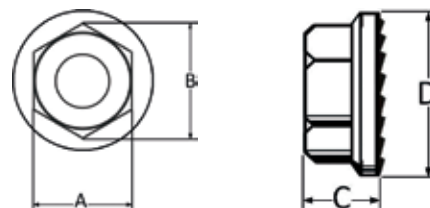
CLASS 10 • COARSE THREAD • YELLOW ZINC PLATED • IMPORTED

Part #	Size	Shop Pack Quantity
FMLNN008	M8-1.25	100
FMLNN010	M10-1.5	50
FMLNN012	M12-1.75	50

METRIC FLANGE NUTS

TECHNICAL INFORMATION

Dimensions



Size	A	B	C	D
	Max	Min	Max	Max
M5	8	8.79	5	11.8
M6	10	11.05	6	14.2
M8	13	14.38	8	17.9
M10	15	16.64	10	21.8
M12	18	20.03	12	26
M16	24	26.75	16	34.5

Metric Flange Nuts are manufactured to DIN 6923 specs.

SERRATED • CLASS 8 • COARSE THREAD • ZINC PLATED • IMPORTED

Part #	Size	Shop Pack Quantity
FMFNS05	M5-0.8	100
FMFNS06	M6-1.0	100
FMFNS08	M8-1.25	100
FMFNS010	M10-1.5*	50
FMFNS012	M12-1.75*	50

*Class 10

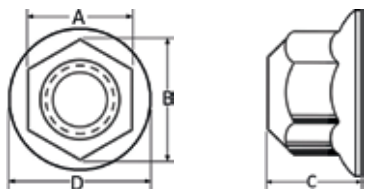
NON SERRATED • CLASS 10 • COARSE THREAD • ZINC PLATED • IMPORTED

Part #	Size	Shop Pack Quantity
FMFN006	M6-1.0	100
FMFN008	M8-1.25	100
FMFN010	M10-1.5	50
FMFN012	M12-1.75	50

METRIC FLANGE TOP LOCK NUTS & METRIC ALL METAL TOP LOCK NUTS

METRIC FLANGE TOP LOCK NUTS

CLASS 10 • COARSE THREAD • PHOSPHATE & OIL COATED • IMPORTED



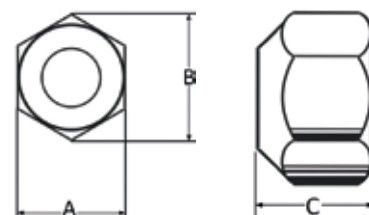
Metric Flange Top Lock Nuts are manufactured to DIN 6927 specs. Their dimensions are equal to DIN 6923 Flange Nuts except the nut height.

Part #	Size	(C) Height	Shop Pack Quantity
FMFLN016	M16-2.0	16.80	25

METRIC ALL METAL TOP LOCK NUTS

TECHNICAL INFORMATION

Dimensions



Size	A	B	C
	Max	Min	Max
M5	8	8.79	5.1
M6	10	11.05	6
M8	13	14.38	8
M10	17	18.9	10
M12	19	21.1	12
M14	22	24.49	14
M16	24	26.75	16
M18	27	29.56	18.5
M20	30	32.95	20

Metric All Metal Top Lock Nuts are manufactured to DIN 980 specs.

CLASS 10 • COARSE THREAD • ZINC PLATED • IMPORTED

Part #	Size	Shop Pack Quantity
FMLN005	M5-0.8	100
FMLN006	M6-1.0	100
FMLN008	M8-1.25	100
FMLN010	M10-1.5	50
FMLN012	M12-1.75	50
FMLN014	M14-2.0	25
FMLN016	M16-2.0	25
FMLN018	M18-2.5	25
FMLN020	M20-2.5	25

Don't see the size you're looking for? Call us for availability!

METRIC FLAT WASHERS

TECHNICAL INFORMATION

Dimensions

Size	ID	OD	Thickness
	Nominal	Nominal	Nominal
M3	3.2	7	0.5
M4	4.3	9	0.8
M5	5.3	10	1
M6	6.4	12	1.6
M7	7.4	14	1.6
M8	8.4	16	1.6
M10	10.5	20	2
M12	13	24	2.5
M14	15	28	2.5
M16	17	30	3
M18	19	34	3
M20	21	37	3
M24	25	44	4
M30	31	56	4

ZINC PLATED • IMPORTED

Metric Flat Washers are manufactured to DIN 125 specs.

Part #	Size	Shop Pack Quantity	Bulk Quantity
FMFW04	M4	100	15000
FMFW05	M5	100	15000
FMFW06	M6	100	15000
FMFW07	M7	100	-
FMFW08	M8	100	10000

Part #	Size	Shop Pack Quantity	Bulk Quantity
FMFW10	M10	100	5000
FMFW12	M12	100	2800
FMFW14	M14	50	2000
FMFW16	M16	50	1600
FMFW20	M20	25	1000

CLASS 10 • YELLOW ZINC PLATED • IMPORTED

Part #	Size	Shop Pack Quantity
FMFW006	M6	100
FMFW008	M8	100
FMFW010	M10	100
FMFW012	M12	100
FMFW014	M14	50

Part #	Size	Shop Pack Quantity
FMFW016	M16	50
FMFW018	M18	25
FMFW020	M20	25
FMFW024	M24	25
FMFW030	M30	25

18-8 STAINLESS STEEL • IMPORTED

Part #	Size	Package Quantity
FSSMFW05	M5	100
FSSMFW06	M6	100
FSSMFW08	M8	100
FSSMFW10	M10	50
FSSMFW12	M12	50

METRIC SPLIT LOCK WASHERS

TECHNICAL INFORMATION

Dimensions

Size	ID		OD	
	Min	Max	Min	Max
M3	3.1	6.2		
M4	4.1	7.6		
M5	5.1	9.2		
M6	6.1	11.8		
M7	7.1	12.8		
M8	8.1	14.8		
M10	10.2	18.1		

Size	ID		OD	
	Min	Max	Min	Max
M12	12.2	21.1		
M14	14.2	24.1		
M16	16.2	27.4		
M18	18.2	29.4		
M20	20.2	33.6		
M24	24.5	40		
M30	30.5	48.2		

Metric Split Lock Washers are manufactured to DIN 127 specs. They are manufactured from spring steel and have a Rockwell Hardness of C44-C51.

ZINC PLATED • IMPORTED

Part #	Size	Shop Pack Quantity
FMLW04	M4	100
FMLW05	M5	100
FMLW06	M6	100
FMLW07	M7	100
FMLW08	M8	100
FMLW10	M10	100
FMLW12	M12	100
FMLW14	M14	50
FMLW16	M16	50
FMLW20	M20	25
FMLW24	M24	25

YELLOW ZINC PLATED • IMPORTED

Part #	Size	Shop Pack Quantity
FMLW006	M6	100
FMLW008	M8	100
FMLW010	M10	100
FMLW012	M12	100
FMLW014	M14	50
FMLW016	M16	50
FMLW018	M18	25
FMLW020	M20	25

18-8 STAINLESS STEEL • IMPORTED

Part #	Size	Package Quantity
FSSMLW05	M5	100
FSSMLW06	M6	100
FSSMLW08	M8	100
FSSMLW10	M10	50
FSSMLW12	M12	50

METRIC EXTERNAL TOOTH LOCK WASHERS & METRIC MACHINE SCREWS

METRIC EXTERNAL TOOTH LOCK WASHERS ZINC PLATED • IMPORTED



Metric External Tooth Lock Washers are manufactured from spring steel to DIN 6797 specs. They have a Rockwell Hardness of C36-C43.

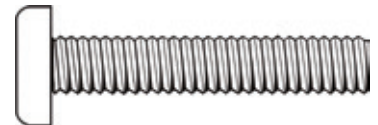
Part #	Size	OD	Thickness	Shop Pack Quantity
FMLWEX08	M8	15	0.8	100

METRIC MACHINE SCREWS

PHILLIPS PAN HEAD • COARSE THREAD • ZINC PLATED • IMPORTED

TECHNICAL INFORMATION

Dimensions



Size	Head OD		Head Height	
	Min	Max	Min	Max
M3.5	6.64	7.00	2.58	2.82
M4	7.64	8.00	2.95	3.25
M5	9.64	10.00	3.65	3.95
M6	11.57	12.00	4.45	4.75
M8	15.57	16.00	5.85	6.15

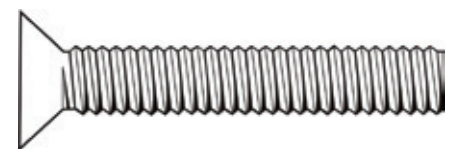
Metric Phillips Pan Head Machine Screws are manufactured to DIN 7985 specs.

Part #	Size	Shop Pack Quantity
FMSPPM035005	M3.5-0.6 X 5	100
FMSPPM035008	M3.5-0.6 X 8	100
FMSPPM04006	M4-0.7 X 6	100
FMSPPM04008	M4-0.7 X 8	100
FMSPPM04012	M4-0.7 X 12	100
FMSPPM04016	M4-0.7 X 16	100
FMSPPM04020	M4-0.7 X 20	100
FMSPPM04040	M4-0.7 X 40	100
FMSPPM05008	M5-0.8 X 8	100
FMSPPM05010	M5-0.8 X 10	100
FMSPPM05016	M5-0.8 X 16	100
FMSPPM05020	M5-0.8 X 20	100

Part #	Size	Shop Pack Quantity
FMSPPM05025	M5-0.8 X 25	100
FMSPPM06010	M6-1.0 X 10	100
FMSPPM06012	M6-1.0 X 12	100
FMSPPM06016	M6-1.0 X 16	100
FMSPPM06020	M6-1.0 X 20	100
FMSPPM06025	M6-1.0 X 25	100
FMSPPM08010	M8-1.25 X 10	100
FMSPPM08016	M8-1.25 X 16	100
FMSPPM08020	M8-1.25 X 20	100
FMSPPM08025	M8-1.25 X 25	100
FMSPPM08040	M8-1.25 X 40	100

PHILLIPS FLAT HEAD • COARSE THREAD • ZINC PLATED • IMPORTED

Part #	Size	Shop Pack Quantity
FMSPF08050	M8-1.25 X 50	100



Don't see the size you're looking for? Call us for availability!

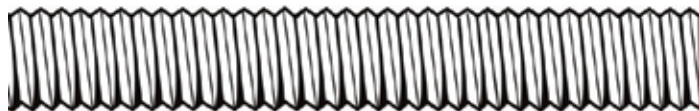
Metric Phillips Flat Head Machine Screws are manufactured to DIN 965 specs.

METRIC THREADED ROD & METRIC SOCKET HEAD CAP SCREWS

METRIC THREADED ROD

LOW CARBON STEEL • COARSE THREAD • ZINC PLATED • IMPORTED

Part #	Size
FMTR2061	M6-1.0 X 1M
FMTR2081	M8-1.25 X 1M
FMTR2101	M10-1.5 X 1M
FMTR2121	M12-1.75 X 1M



GRADE B7 • COARSE THREAD • PLAIN FINISH • IMPORTED

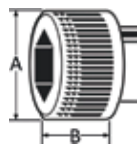
Part #	Size
FMTRB7081	M8-1.25 X 1M
FMTRB7101	M10-1.5 X 1M
FMTRB7121	M12-1.75 X 1M
FMTRB7141	M14-2.0 X 1M

Part #	Size
FMTRB7161	M16-2.0 X 1M
FMTRB7201	M20-2.5 X 1M
FMTRB7221	M22-2.5 X 1M

METRIC SOCKET HEAD CAP SCREWS

TECHNICAL INFORMATION

Dimensions



Size	Allen Wrench Size	A		B	
		Max	Min	Max	Min
M4	3	7.22	6.78	4.00	3.82
M5	4	8.72	8.28	5.00	4.82
M6	5	10.22	9.78	6.00	5.70
M8	6	13.27	12.73	8.00	7.64
M10	8	16.27	15.73	10.00	9.64
M12	10	18.27	17.73	12.00	11.57
M14	12	21.33	20.67	14.00	13.57
M16	14	24.33	23.67	16.00	15.57

CLASS 12.9 • COARSE THREAD • PLAIN FINISH • IMPORTED

Metric Socket Head Cap Screws are manufactured to DIN 912 specs. We stock class 12.9 which are basically equivalent to a grade 9 in strength and hardness.

Part #	Size	Shop Pack Quantity
FMSHCS04010	M4-0.7 X 10	100
FMSHCS04012	M4-0.7 X 12	100
FMSHCS04016	M4-0.7 X 16	100
FMSHCS04020	M4-0.7 X 20	100
FMSHCS04025	M4-0.7 X 25	100

Part #	Size	Shop Pack Quantity
FMSHCS04030	M4-0.7 X 30	100
FMSHCS04035	M4-0.7 X 35	100
FMSHCS04040	M4-0.7 X 40	100
FMSHCS04045	M4-0.7 X 45	100
FMSHCS04050	M4-0.7 X 50	100

METRIC SOCKET HEAD CAP SCREWS

CLASS 12.9 • COARSE THREAD • PLAIN FINISH • IMPORTED *CONTINUED FROM PREVIOUS PAGE

Part #	Size	Shop Pack Quantity
FMSHCS05008	M5-0.8 X 8	100
FMSHCS05010	M5-0.8 X 10	100
FMSHCS05012	M5-0.8 X 12	100
FMSHCS05016	M5-0.8 X 16	100
FMSHCS05020	M5-0.8 X 20	100
FMSHCS05025	M5-0.8 X 25	100
FMSHCS05030	M5-0.8 X 30	100
FMSHCS05035	M5-0.8 X 35	100
FMSHCS05040	M5-0.8 X 40	100
FMSHCS05045	M5-0.8 X 45	100
FMSHCS05050	M5-0.8 X 50	100
FMSHCS05055	M5-0.8 X 55	100
FMSHCS05060	M5-0.8 X 60	100
FMSHCS05065	M5-0.8 X 65	100
FMSHCS05080	M5-0.8 X 80	100
FMSHCS05100	M5-0.8 X 100	100
FMSHCS06012	M6-1.0 X 12	100
FMSHCS06016	M6-1.0 X 16	100
FMSHCS06020	M6-1.0 X 20	100
FMSHCS06025	M6-1.0 X 25	100
FMSHCS06030	M6-1.0 X 30	100
FMSHCS06035	M6-1.0 X 35	100
FMSHCS06040	M6-1.0 X 40	100
FMSHCS06045	M6-1.0 X 45	100
FMSHCS06050	M6-1.0 X 50	100
FMSHCS06055	M6-1.0 X 55	100
FMSHCS06060	M6-1.0 X 60	100
FMSHCS06070	M6-1.0 X 70	100
FMSHCS06080	M6-1.0 X 80	100
FMSHCS06100	M6-1.0 X 100	100
FMSHCS08012	M8-1.25 X 12	100
FMSHCS08016	M8-1.25 X 16	100
FMSHCS08020	M8-1.25 X 20	100
FMSHCS08025	M8-1.25 X 25	100
FMSHCS08030	M8-1.25 X 30	100
FMSHCS08035	M8-1.25 X 35	100
FMSHCS08040	M8-1.25 X 40	100
FMSHCS08045	M8-1.25 X 45	100
FMSHCS08050	M8-1.25 X 50	50
FMSHCS08060	M8-1.25 X 60	50

Part #	Size	Shop Pack Quantity
FMSHCS08070	M8-1.25 X 70	50
FMSHCS10020	M10-1.5 X 20	50
FMSHCS10025	M10-1.5 X 25	50
FMSHCS10030	M10-1.5 X 30	50
FMSHCS10035	M10-1.5 X 35	50
FMSHCS10040	M10-1.5 X 40	50
FMSHCS10050	M10-1.5 X 50	50
FMSHCS10060	M10-1.5 X 60	50
FMSHCS10070	M10-1.5 X 70	50
FMSHCS10080	M10-1.5 X 80	25
FMSHCS10090	M10-1.5 X 90	25
FMSHCS10120	M10-1.5 X 120	25
FMSHCS12025	M12-1.75 X 25	50
FMSHCS12030	M12-1.75 X 30	50
FMSHCS12035	M12-1.75 X 35	50
FMSHCS12040	M12-1.75 X 40	50
FMSHCS12050	M12-1.75 X 50	50
FMSHCS12060	M12-1.75 X 60	50
FMSHCS12070	M12-1.75 X 70	50
FMSHCS12080	M12-1.75 X 80	25
FMSHCS12100	M12-1.75 X 100	25
FMSHCS12110	M12-1.75 X 110	25
FMSHCS14020	M14-2.0 X 20	25
FMSHCS14025	M14-2.0 X 25	25
FMSHCS14030	M14-2.0 X 30	25
FMSHCS14040	M14-2.0 X 40	25
FMSHCS14050	M14-2.0 X 50	25
FMSHCS14060	M14-2.0 X 60	25
FMSHCS14140	M14-2.0 X 140	25
FMSHCS16025	M16-2.0 X 25	25
FMSHCS16030	M16-2.0 X 30	25
FMSHCS16035	M16-2.0 X 35	25
FMSHCS16040	M16-2.0 X 40	25
FMSHCS16045	M16-2.0 X 45	25
FMSHCS16050	M16-2.0 X 50	25
FMSHCS16060	M16-2.0 X 60	25
FMSHCS16070	M16-2.0 X 70	25
FMSHCS16080	M16-2.0 X 80	20
FMSHCS16100	M16-2.0 X 100	20

METRIC SOCKET HEAD CAP SCREWS & METRIC SOCKET FLAT HEAD CAP SCREWS

METRIC SOCKET HEAD CAP SCREWS

CLASS 12.9 • FINE THREAD • PLAIN FINISH • IMPORTED

Part #	Size	Shop Pack Quantity
FMSHCSF10020	M10-1.25 X 20	50

LOW HEAD • CLASS 10.9 • COARSE THREAD • PLAIN FINISH • IMPORTED

Low Head Socket Head Cap Screws are manufactured to DIN 7984 Specs. They are used where low clearance doesn't allow for standard head height.

Part #	Size	Key Size	Head Height	Shop Pack Quantity
FMSHCSLH08040	M8-1.25 X 40	5	5	100

METRIC SOCKET FLAT HEAD CAP SCREWS

TECHNICAL INFORMATION

Dimensions



Size	Allen Wrench Size	Head OD	
		Max	Min
M4	2.5	8	7.64
M6	4	12	11.57
M8	5	16	15.57
M10	6	20	19.48
M12	8	24	23.48
M16	10	30	29.48

CLASS 10.9 • COARSE THREAD • PLAIN FINISH • IMPORTED

Metric Socket Flat Head Cap Screws are manufactured to DIN 7991 specs.

Part #	Size	Shop Pack Quantity	Part #	Size	Shop Pack Quantity
FMSFCS04008	M4-0.7 X 8	100	FMSFCS06012	M6-1.0 X 12	100
FMSFCS04010	M4-0.7 X 10	100	FMSFCS06016	M6-1.0 X 16	100
FMSFCS04012	M4-0.7 X 12	100	FMSFCS06020	M6-1.0 X 20	100
FMSFCS04016	M4-0.7 X 16	100	FMSFCS06025	M6-1.0 X 25	100
FMSFCS04020	M4-0.7 X 20	100	FMSFCS06030	M6-1.0 X 30	100
FMSFCS04025	M4-0.7 X 25	100	FMSFCS06035	M6-1.0 X 35	100
FMSFCS04030	M4-0.7 X 30	100	FMSFCS06040	M6-1.0 X 40	100
FMSFCS04035	M4-0.7 X 35	100	FMSFCS08012	M8-1.25 X 12	100
FMSFCS05010	M5-0.8 X 10	100	FMSFCS08016	M8-1.25 X 16	100
FMSFCS05012	M5-0.8 X 12	100	FMSFCS08020	M8-1.25 X 20	100
FMSFCS05016	M5-0.8 X 16	100	FMSFCS08025	M8-1.25 X 25	100
FMSFCS05020	M5-0.8 X 20	100	FMSFCS08030	M8-1.25 X 30	100
FMSFCS05025	M5-0.8 X 25	100	FMSFCS08035	M8-1.25 X 35	100
FMSFCS05030	M5-0.8 X 30	100	FMSFCS08040	M8-1.25 X 40	100
FMSFCS05035	M5-0.8 X 35	100	FMSFCS10020	M10-1.5 X 20	50

Don't see the size you're looking for? Call us for availability!

METRIC SOCKET FLAT HEAD CAP SCREWS & METRIC SOCKET BUTTON HEAD CAP SCREW

METRIC SOCKET FLAT HEAD CAP SCREWS

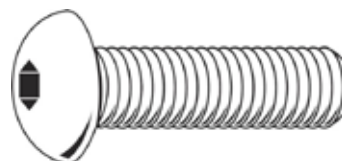
CLASS 10.9 • COARSE THREAD • PLAIN FINISH • IMPORTED

Part #	Size	Shop Pack Quantity
FMSFCS10025	M10-1.5 X 25	50
FMSFCS10030	M10-1.5 X 30	50
FMSFCS10040	M10-1.5 X 40	50
FMSFCS10050	M10-1.5 X 50	50
FMSFCS12020	M12-1.75 X 20	50
FMSFCS12030	M12-1.75 X 30	50
FMSFCS12035	M12-1.75 X 35	50

Part #	Size	Shop Pack Quantity
FMSFCS12040	M12-1.75 X 40	50
FMSFCS12050	M12-1.75 X 50	50
FMSFCS12060	M12-1.75 X 60	50
FMSFCS16040	M16-2.0 X 40	25
FMSFCS16050	M16-2.0 X 50	25
FMSFCS16120	M16-2.0 X 120	25

METRIC SOCKET BUTTON HEAD CAP SCREW

TECHNICAL INFORMATION



Size	Allen Wrench Size	Head Height	Head Diameter
M3	M2	1.53	5.55
M4	M2.5	2.08	7.42
M5	M3	2.63	9.32
M6	M4	3.15	10.29
M8	M5	4.25	13.79
M10	M6	5.35	17.29
M12	M8	6.42	20.74
M16	M10	8.62	27.74

Part #	Size	Package Quantity
FMSBCS04020	M4-.70 X 20	100
FMSBCS04025	M4-.7 X 25	100
FMSBCS04030	M4-.70 X 30	100
FMSBCS05010	M5-.8 X 10	100
FMSBCS05012	M5-.8 X 12	100
FMSBCS05016	M5-.8 X 16	100
FMSBCS05020	M5-.8 X 20	100
FMSBCS05025	M5-.8 X 25	100
FMSBCS05030	M5-.8 X 30	100
FMSBCS06012	M6-1.0 X 12	100
FMSBCS06016	M6-1.0 X 16	100
FMSBCS06020	M6-1.0 X 20	100
FMSBCS06025	M6-1.0 X 25	100
FMSBCS06025Z	M6-1.0 X 25	100
FMSBCS06030	M6-1.0 X 30	100
FMSBCS06045	M6-1.0 X 45	100

Part #	Size	Package Quantity
FMSBCS08020	M8-1.25 X 20	100
FMSBCS08025	M8-1.25 X 25	100
FMSBCS08030	M8-1.25 X 30	100
FMSBCS08035	M8-1.25 X 35	100
FMSBCS08040	M8-1.25 X 40	100
FMSBCS10016	M10-1.5 X 16	100
FMSBCS10020	M10-1.5 X 20	100
FMSBCS10025	M10-1.5 X 25	100
FMSBCS10030	M10-1.5 X 30	100
FMSBCS10035	M10-1.5 X 35	100
FMSBCS10040	M10-1.5 X 40	100
FMSBCS12025	M12-1.5 X 25	100
FMSBCS12030	M12-1.5 X 30	100
FMSBCS12035	M12-1.5 X 35	100
FMSBCS12040	M12-1.5 X 40	100
FMSBCS12050	M12-1.5 X 50	100

METRIC SOCKET SET SCREWS

TECHNICAL INFORMATION

Dimensions

Size	Allen Wrench Size	Point Diameter
		Max
M3	1.5	1.4
M4	2	2.0
M5	2.5	2.5
M6	3	3.0
M8	4	5.0
M10	5	6.0
M12	6	8.0



CUP POINT • COARSE THREAD • PLAIN FINISH • IMPORTED

Metric Socket Set Screws Cup Point are manufactured to DIN 916 specs.

Part #	Size	Shop Pack Qty
FMSSSO0303	M3-0.5 X 3	100
FMSSSO0403	M4-0.7 X 3	100
FMSSSO0404	M4-0.7 X 4	100
FMSSSO0408	M4-0.7 X 8	100
FMSSSO0412	M4-0.7 X 12	100
FMSSSO0506	M5-0.8 X 6	100
FMSSSO0508	M5-.8 X 8	100
FMSSSO0512	M5-0.8 X 12	100
FMSSSO0520	M5-0.8 X 20	100
FMSSSO0550	M5-0.8 X 50	100
FMSSSO0606	M6-1.0 X 6	100
FMSSSO0608	M6-1.0 X 8	100
FMSSSO0610	M6-1.0 X 10	100
FMSSSO0612	M6-1.0 X 12	100
FMSSSO0616	M6-1.0 X 16	100
FMSSSO0808	M8-1.25 X 8	100

Part #	Size	Shop Pack Qty
FMSSSO0810	M8-1.25 X 10	100
FMSSSO0816	M8-1.25 X 16	100
FMSSSO0820	M8-1.25 X 20	100
FMSSSO0830	M8-1.25 X 30	100
FMSSSO1010	M10-1.5 X 10	50
FMSSSO1012	M10-1.5 X 12	50
FMSSSO1016	M10-1.5 X 16	50
FMSSSO1020	M10-1.5 X 20	50
FMSSSO1025	M10-1.5 X 25	50
FMSSSO1216	M12-1.75 X 16	50
FMSSSO1220	M12-1.75 X 20	50
FMSSSO1230	M12-1.75 X 30	50
FMSSSO1416	M14-2.0 X 16	25
FMSSSO1425	M14-2.0 X 25	25
FMSSSO1435	M14-2.0 X 35	25
FMSSSO1620	M16-2.0 X 20	25

FLAT POINT • COARSE THREAD • PLAIN FINISH • IMPORTED

Metric Socket Set Screws Flat Point are manufactured to DIN 913 specs.

Part #	Size	Point OD	Shop Pack Qty
FMSSSOFL0608	M6-1.0 X 8	4	100

METRIC SPRING PINS SOCKET SET SCREWS & METRIC HEX WELD NUTS

METRIC SPRING PINS SOCKET SET SCREWS

Part #	Size	Package Quantity
FMSPP015010	M1.5 X 10	25
FMSPP015016	M1.5 X 16	25
FMSPP020010	M2 X 10	25
FMSPP020020	M2 X 20	25
FMSPP025016	M2.5 X 16	25
FMSPP025026	M2.5 X 26	25
FMSPP030016	M3 X 16	25
FMSPP030026	M3 X 26	25
FMSPP030040	M3 X 40	25
FMSPP040024	M4 X 24	25
FMSPP040030	M4 X 30	25
FMSPP040040	M4 X 40	25
FMSPP050026	M5 X 26	25
FMSPP050036	M5 X 36	25

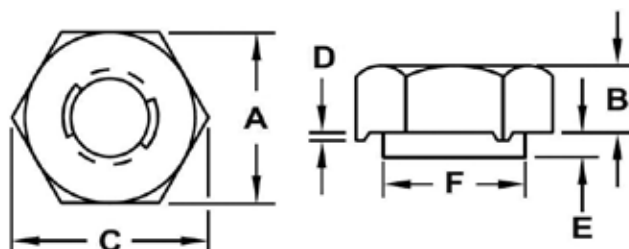


Part #	Size	Package Quantity
FMSPP050040	M5 X 40	25
FMSPP050050	M5 X 50	25
FMSPP060028	M6 X 28	25
FMSPP060040	M6 X 40	25
FMSPP060050	M6 X 50	25
FMSPP080030	M8 X 30	25
FMSPP080050	M8 X 50	25
FMSPP100030	M10 X 30	10
FMSPP100050	M10 X 50	10
FMSPP120060	M12 X 60	10

METRIC HEX WELD NUTS

TECHNICAL INFORMATION

Size	A	B	D	E
M5-0.8	10.00	4.00	0.70	0.40
M6-1.0	11.00	5.00	0.75	0.40
M8-1.25	14.00	6.50	0.90	0.50
M10-1.5	17.00	8.00	1.15	0.65
M8	4	5.0		
M10	5	6.0		
M12	6	8.0		



PLAIN FINISH • MADE IN USA

Part #	Size	Package Size
FMHWNL05	M5-0.8	100
FMHWNL06	M6-1.0	100
FMHWNL08	M8-1.25	100
FMHWNL10	M10-1.5	50



18-8 STAINLESS STEEL • MADE IN USA

Part #	Size	Package Size
FSSMHWNL05	M5-0.8	100
FSSMHWNL06	M6-1.0	100

THREAD REPAIR



E-Z COIL™ INSERTS

E-Z Coil™ inserts – also known as wire or helical threaded inserts – quickly repair or reinforce tapped holes in soft metals. Made from 18-8 stainless steel wire, E-Z Coil™ inserts provide strong internal threads that are corrosion resistant and withstand temperatures to 800°F.

E-Z Coil™ inserts are made of 18-8 stainless steel wire. The wire is formed into a diamond pattern and then wound into a spring. Before being installed, the insert diameter is larger than the tapped hole. The insert diameter is reduced during installation, allowing the insert to thread into the hole. Once properly installed, the radial pressure of the released insert holds the insert firmly in place.



Part #	Size	Length	Free OD		Drill Size
			MIN	MAX	
FHC20615	10-24	.285	.240	.248	13/64
FHC20815	1/4-20	.375	.314	.328	17/64
FHC20915	5/16-18	.469	.384	.392	21/64
FHC21015	3/8-16	.563	.455	.463	25/64
FHC21115	7/16-14	.656	.530	.538	29/64
FHC21215	1/2-13	.75	.600	.610	33/64
FHC21415	5/8-11	.938	.742	.752	21/32
FHC21515	3/4-10	1.125	.880	.892	25/32
FHC30615	10-32	.285	.233	.241	13/64
FHC30815	1/4-28	.375	.299	.307	17/64
FHC30915	5/16-24	.469	.370	.378	21/64
FHC31015	3/8-24	.563	.433	.441	25/64
FHC31115	7/16-20	.656	.507	.515	29/64
FHC31215	1/2-20	.75	.567	.577	33/64
FHC31415	5/8-18	.938	.694	.706	41/64
FHC31515	3/4-16	1.125	.831	.841	49/64
FHC40415	M4-0.7	6MM	4.8	4.9	4.1
FHC40515	M5-0.8	7.5MM	6.0	6.2	5.2
FHC40615	M6-1.0	9MM	7.3	7.4	6.2
FHC40815	M8-1.25	12MM	9.7	9.9	8.3
FHC40915	M10-1.5	15MM	11.9	12.1	10.3
FHC41015	M12-1.75	18MM	14.3	14.5	12.4
FHC41215	M16-2.0	24MM	18.6	18.9	16.5
FHC50915	M10-1.25	15MM	11.6	11.9	10.3
FHC51015	M12-1.5	18MM	13.9	14.3	12.4

THREAD REPAIR



E-Z LOK™ SOLID WALL INSERTS

E-Z LOK™ (Solid Wall) threaded inserts for metal are ideal for repairing or reinforcing threaded holes in soft metals like aluminum, magnesium, and cast iron. All E-Z LOK™ (Solid Wall) inserts install with standard tools. No special taps or installation tools needed. External threads are standard size and pitch to permit the use of standard drills and taps. E-Z LOK™ (Solid Wall) threaded inserts can be installed with a screwdriver, bolt/jam nut (except IC series), or optional power drive tool.

E-Z LOK™ (Solid Wall) threaded inserts will not back out or vibrate loose. Immediately upon installation, the pre-applied, microencapsulated adhesive begins to set and the new newly installed insert is fastener-ready in 3-5 minutes. The adhesive seals against liquids and gases to 6,000 psi when fully cured (72 hours).

E-Z LOK™ (Solid Wall) threaded inserts for metal are removable. Unlike inserts that are mechanically locked in place with keys or pins, which need to be drilled out, these inserts can be removed with a bolt extractor (overcoming the resistance to torque-out produced by the adhesive) or by heating the insert to a temperature above 300°F (149°C), at which point the adhesive will release.



Part #	Size	External Thread	Length	Drill Size	Min Full Thread Depth
FTI329-3	10-24	3/8-16	.406	5/16	15/32
FTI329-4	1/4-20	7/16-14	.437	23/64	1/2
FTI329-5	5/16-18	1/2-13	.484	27/64	9/16
FTI329-6	3/8-16	9/16-12	.515	31/64	19/32
FTI329-7	7/16-14	5/8-11	.656	17/32	23/32
FTI329-8	1/2-13	3/4-10	.656	21/32	3/4
FTI329-10	5/8-11	7/8-9	.687	49/64	13/16
FTI329-12	3/4-10	1-8	.781	7/8	7/8
FTI329-332	10-32	3/8-16	.406	5/16	15/32
FTI329-428	1/4-28	7/16-14	.437	23/64	1/2
FTI329-524	5/16-24	1/2-13	.484	27/64	9/16
FTI329-624	3/8-24	9/16-12	.515	31/64	19/32
FTI329-720	7/16-20	5/8-11	.656	17/32	23/32

Part #	Size	External Thread	Length	Drill Size	Min Full Thread Depth
FTI329-820	1/2-20	3/4-10	.656	21/32	3/4
FTI329-10F	5/8-18	7/8-9	.687	49/64	13/16
FTI329-1216	3/4-16	1-8	.781	7/8	7/8
FTI450-4	M4-0.7	M8-1.25	.295	6.9MM	9MM
FTI450-5	M5-0.8	M8-1.25	.295	6.9MM	9MM
FTI650-6	M6-1.0	3/8-16	.406	5/16	15/32
FTI650-8	M8-1.25	1/2-13	.484	27/64	9/16
FTI650-10	M10-1.5	9/16-12	.515	31/64	19/32
FTI650-12	M12-1.75	3/4-10	.656	21/32	3/4
FTI650-14	M14-2.0	7/8-9	.687	49/64	13/16
FTI650-16	M16-2.0	1-8	.781	7/8	7/8
FTI650-10F	M10-1.25	9/16-12	.515	31/64	19/32



Power drive tools are available for high volume E-Z Lok™ Solid Wall Insert installation

ASSORTMENTS

WE HAVE ASSORTMENTS FOR MANY SMALL PARTS. ALL ASSORTMENTS ARE COMPLETELY CUSTOMIZABLE IF THEY DON'T FIT YOUR NEEDS PERFECTLY.



Let our assortments save you money by:

1. Keeping things organized. Having everything you need in neat well organized drawers means you don't have to go searching when you need it.
2. Saving trips to the store. When you spend half an hour to run for a few tiny parts it quickly eats into your day and puts you behind schedule.
3. Paying lower prices for the product. The prices you pay us are typically a significant savings over buying them retail when you run after them.

CALL US AND WE WILL E-MAIL OR FAX YOU DETAILS ON ANY ASSORTMENT.

Drawer Assortments	
Part#	Descriptions
ABLFA	BRAKE LINE FITTINGS ASSORTMENT 140 PC (6 SIZES)
ELA1650	ELECTRICAL TERMINALS 1650 PC (32 SIZES)
ELA600	ELECTRICAL TERMINALS 600 PC (12 SIZES)
ELFAATO	FUSE ASSORTMENT ATO 120 PC (6 SIZES)
ELFAMAX	FUSE ASSORTMENT MAXI 16 PC (6 SIZES)
ELFAMIN	FUSE ASSORTMENT MIN 120 PC (6 SIZES)
ELFAMINMAX	FUSE ASSORTMENT MIN/MAXI 132 PC (14 SIZES)
ELHSA300	HEATSHRINK ELECTRICAL TERMINALS 300 PC (12 SIZES)
ELHSA700	HEATSHRINK ELECTRICAL TERMINALS 700 PC (24 SIZES)
EQ407A	KEYSTOCK ASSORTMENT UNDERSIZED 31PC (7 SIZES)
EQMORAS	METRIC O-RING ASSORTMENT 419 PC (32 SIZES)
EQMZA75	GREASE FITTING ASSORTMENT METRIC 75 PC (11 SIZES)
EQORAS	O-RING ASSORTMENT 407 PC (32 SIZES)
EQSCA68	SHAFT COLLAR ASSORTMENT 68 PC (16 SIZES)
EQSCDA30	DOUBLE SPLIT SHAFT COLLAR ASSORTMENT 28 PC (11 SIZES)
EQZA164	GREASE FITTING ASSORTMENT METRIC & STANDARD GOLD 164 PC (31 SIZES)
EQZA55	GREASE FITTING ASSORTMENT STANDARD 55 PC (6 SIZES)
EQZA89	GREASE FITTING ASSORTMENT STANDARD 89 PC (17 SIZES)
EQZA99	GREASE FITTING ASSORTMENT METRIC & STANDARD SILVER 99 PC (18 SIZES)
EQZDA30	GREASE FITTING ASSORTMENT DRIVE ZERKS 30 PC (3 SIZES)
FBPA95	BRIDGE PIN ASSORTMENT 95 PC (6 SIZES)
FCLA38	CLEVIS PIN ASSORTMENT 38 PC (12 SIZES)
FCPA1240	COTTER PIN ASSORTMENT 24 SIZES (1240 PC)
FCPA50	COTTER PIN ASSORTMENT LARGER SIZES 50 PC (6 SIZES)
FCPA725	COTTER PIN ASSORTMENT 725 PC (12 SIZES)
FECA325	E CLIP ASSORTMENT 325 PC (13 SIZES)
FFEWA550	FENDER WASHER ASSORTMENT 550 PC (22 SIZES)
FLPA48	LOCK PIN ASSORTMENT 48 PC (11 SIZES)
FMBN0A86	NARROW RIM MACHINERY BUSHING 10 GA ASSORTMENT 86 PC (12 SIZES)
FMBN4A280	NARROW RIM MACHINERY BUSHING 14 GA ASSORTMENT 280 PC (14 SIZES)
FMBN8A85	NARROW RIM MACHINERY BUSHING 18 GA ASSORTMENT 85 PC (12 SIZES)

Drawer Assortments	
Part#	Descriptions
FMBNA488	NARROW RIM MACHINERY BUSHING ASSORTMENT 488 PC (43 SIZES)
FMBWA105	WIDE RIM MACHINERY BUSHING ASSORTMENT 105 PC (21 SIZES)
FMSPPA395	METRIC SPRING PIN PLAIN ASSORTMENT (24 SIZES)
FMSSSOA275	METRIC SOCKET SET SCREW CUP POINT ASSORTMENT 275 PC (12 SIZES)
FPRA1850	POP RIVET ASSORTMENT ALUMINUM & STEEL 1850 PC (24 SIZES)
FPRA270	POP RIVET ASSORTMENT 270 PC (12 SIZES)
FPRSSA1850	POP RIVET ASSORTMENT ALUMINUM & STAINLESS STEEL 1850 PC (24 SIZES)
FQRWA34	QUICK REPAIR WASHER ASSORTMENT 34 PC (9 SIZES)
FRREA345	EXTERNAL RETAINING RING ASSORTMENT 345 PC (25 SIZES)
FRRIA330	INTERNAL RETAINING RING ASSORTMENT 330 PC (25 SIZES)
FSHCSA405	SOCKET HEAD CAP SCREWS ASSORTMENT COARSE 405 PC (19 SIZES)
FSPA145	SPRING PIN ASSORTMENT BRONZE 145 PC (12 SIZES)
FSPA480	SPRING PIN ASSORTMENT GOLD 480 PC (24 SIZES)
FSPPMA3150	PHILLIPS PAN HEAD MACHINE SCREW SILVER ASSORTMENT 3150 PC (32 SIZES)
FSPPMA5500	PHILLIPS PAN HEAD MACHINE SCREW GOLD ASSORTMENT 5500 PC (64 SIZES)
FSPPSDA2300	PHILLIPS PAN HEAD SELF DRILLING SCREW ASSORTMENT 2300 PC (23 SIZES)
FSPSA480	SPIRAL SPRING PIN ASSORTMENT GOLD 480 PC (24 SIZES)
FSSSOA200	SOCKET SET SCREW ASSORTMENT CUP POINT COARSE & FINE 200PC (12 SIZES)
FSSSOA390	SOCKET SET SCREW ASSORTMENT CUP POINT COARSE & FINE 390PC (18 SIZES)
FSSSOKPA390	SOCKET SET SCREW ASSORT. KNURLED CUP POINT COARSE & FINE 390 PC (18 SIZES)
FSSSQ330	SQUARE HEAD SET SCREW ASSORTMENT 330 PC (24 SIZES)
FTSA1935	HEX WASHER HEAD SELF DRILLING SCREW ASSORTMENT 1935 PC (24 SIZES)
FTSA430	HEX WASHER HEAD SELF DRILLING SCREW ASSORTMENT 430 PC (12 SIZES)
FWKA126	WOODRUFF KEY ASSORTMENT 126 PC (32 SIZES)
FWKA52	WOODRUFF KEY ASSORTMENT 52 PC (16 SIZES)

ASSORTMENTS

Bin Assortments	
Order #	Description
SETUC2SF	CARRIAGE BOLTS GRADE 2 SILVER FARM PACK ASSORTMENT 1,913 PC. (40 SIZES)
SETUC2SS	CARRIAGE BOLTS GRADE 2 SILVER SHOP PACK ASSORTMENT 4,742 PC. (40 SIZES)
SETUC2GF	CARRIAGE BOLTS GRADE 2 GOLD FARM PACK ASSORTMENT 2,802 PC. (72 SIZES)
SETUC2GS	CARRIAGE BOLTS GRADE 2 GOLD SHOP PACK ASSORTMENT 6,350 PC. (72 SIZES)
SETUC5SF	CARRIAGE BOLTS GRADE 5 SILVER FARM PACK ASSORTMENT 2,034 PC. (40 SIZES)
SETUC5SS	CARRIAGE BOLTS GRADE 5 SILVER SHOP PACK ASSORTMENT 4,730 PC. (40 SIZES)
SETUC5GF	CARRIAGE BOLTS GRADE 5 GOLD FARM PACK ASSORTMENT 2,686 PC. (72 SIZES)
SETUC5GS	CARRIAGE BOLTS GRADE 5 GOLD SHOP PACK ASSORTMENT 6,223 PC. (72 SIZES)
SETUH5BF	HEX CAP SCREWS GRADE 5 BRONZE FARM PACK ASSORTMENT 2,349 PC. (40 SIZES)
SETUH5BS	HEX CAP SCREWS GRADE 5 BRONZE SHOP PACK ASSORTMENT 5,010 PC. (40 SIZES)
SETUH5SF	HEX CAP SCREWS GRADE 5 SILVER FARM PACK ASSORTMENT 2,992 PC. (72 SIZES)
SETUH5SS	HEX CAP SCREWS GRADE 5 SILVER SHOP PACK ASSORTMENT 6,620 PC. (72 SIZES)
SETUH5GF	HEX CAP SCREWS GRADE 5 GOLD FARM PACK ASSORTMENT 3,764 PC. (112 SIZES)
SETUH5GS	HEX CAP SCREWS GRADE 5 GOLD SHOP PACK ASSORTMENT 7,754 PC. (112 SIZES)
SETUH8BF	HEX CAP SCREWS GRADE 8 BRONZE FARM PACK ASSORTMENT 1,720 PC. (40 SIZES)
SETUH8BS	HEX CAP SCREWS GRADE 8 BRONZE SHOP PACK ASSORTMENT 3,600 PC. (40 SIZES)
SETUH8SF	HEX CAP SCREWS GRADE 8 SILVER FARM PACK ASSORTMENT 2,475 PC. (72 SIZES)
SETUH8SS	HEX CAP SCREWS GRADE 8 SILVER SHOP PACK ASSORTMENT 5,065 PC. (72 SIZES)
SETUH8GF	HEX CAP SCREWS GRADE 8 GOLD FARM PACK ASSORTMENT 3,329 PC. (112 SIZES)
SETUH8GS	HEX CAP SCREWS GRADE 8 GOLD SHOP PACK ASSORTMENT 6,170 PC. (112 SIZES)
SETUHSSF	HEX CAP SCREWS STAINLESS STEEL SILVER FARM PACK ASSORTMENT 1,770 PC. (40 SIZES)
SETUHSSS	HEX CAP SCREWS STAINLESS STEEL SILVER SHOP PACK ASSORTMENT 3,025 PC. (40 SIZES)
SETUHSGF	HEX CAP SCREWS STAINLESS STEEL GOLD FARM PACK ASSORTMENT 2,614 PC. (72 SIZES)
SETUM8BF	METRIC HEX CAP SCREWS CLASS 8.8 BRONZE FARM PACK 1,600 PC. (40 SIZES)
SETUM8BS	METRIC HEX CAP SCREWS CLASS 8.8 BRONZE SHOP PACK 2,900 PC. (40 SIZES)
SETUM8SF	METRIC HEX CAP SCREWS CLASS 8.8 SILVER FARM PACK 2,125 PC. (72 SIZES)
SETUM8SS	METRIC HEX CAP SCREWS CLASS 8.8 SILVER SHOP PACK 4,000 PC. (72 SIZES)
SETUM8GF	METRIC HEX CAP SCREWS CLASS 8.8 GOLD FARM PACK 4,100 PC. (112 SIZES)
SETUM8GS	METRIC HEX CAP SCREWS CLASS 8.8 GOLD SHOP PACK 6,900 PC. (112 SIZES)
SETUM0BF	METRIC HEX CAP SCREWS CLASS 10.9 BRONZE FARM PACK 1,820 PC. (40 SIZES)
SETUM0BS	METRIC HEX CAP SCREWS CLASS 10.9 BRONZE SHOP PACK 2,900 PC. (40 SIZES)
SETUM0SF	METRIC HEX CAP SCREWS CLASS 10.9 SILVER FARM PACK 2,370 PC. (72 SIZES)
SETUM0SS	METRIC HEX CAP SCREWS CLASS 10.9 SILVER SHOP PACK 3,730 PC. (72 SIZES)
SETUM0GF	METRIC HEX CAP SCREWS CLASS 10.9 GOLD FARM PACK 2,800 PC. (112 SIZES)
SETUM0GS	METRIC HEX CAP SCREWS CLASS 10.9 GOLD SHOP PACK 4,681 PC. (112 SIZES)



PART# ELA1650



PART# FSPA480



PART# EQZA55



PART# FLPA48



PART# ELHSA300



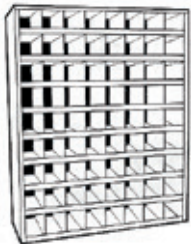
PART# FCPA725

OPEN FRONT BINS, DRAWER BINS & ACCESSORIES

OPEN FRONT BINS

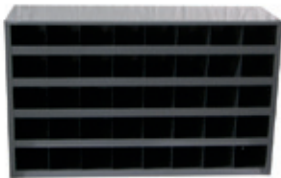
Open Front Bins are constructed of heavy duty steel and all parts are interlocked. They come standard with a gray baked on enamel finish and have a one inch hemmed lip across the front of all bins.

72 HOLE OPEN FRONT BIN



Part #	Dimensions	Hole Configuration	Compartment Size
EQBB42	35"W X 42"H X 12"D	6 ACROSS X 7 HIGH	5 1/2"W X 6"H
EQBB72	35"W X 42"H X 12"D	8 ACROSS X 9 HIGH	4"W X 4 5/8"H

40 HOLE OPEN FRONT BIN



Part #: EQBB40
 35"W X 21"H X 12"D
 5 holes high
 8 holes across
 Compartment Size: 4"W X 4 1/8"H

DRAWER BINS

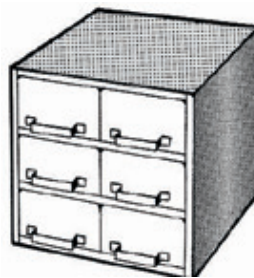
Drawer Bins are constructed of heavy duty steel and come standard with a gray baked on enamel finish. They feature drawer stops so drawers are not removed accidentally. The drawers measure 5 3/8"W X 2 3/4"H X 11 1/4"D and have partition slots on one inch centers.

24 DRAWER BIN



Part #: EQBB24D
 34"W X 14 1/2"H X 11 1/2"D
 4 drawers high
 6 drawers across
 Partitions Included: 48

6 DRAWER BIN



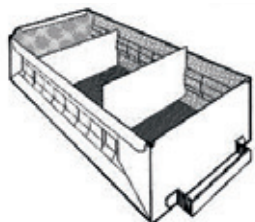
Part #: EQBB6D
 12"W X 10 3/4"H X 11 1/2"D
 3 drawers high
 2 drawers across
 Partitions Included: 6

18 DRAWER BIN



Part #: EQBB18D
 34"W X 10 3/4"H X 11 1/2"D
 3 drawers high
 6 drawers across
 Partitions Included: 36

ACCESSORIES FOR BINS



Part #	Description
EQDR	REPLACEMENT DRAWER FOR DRAWER BINS
EQDRDM	METAL DIVIDERS FOR DRAWER BIN DRAWERS
EQLY	YELLOW BIN LABELS WITH IMPERIAL SIZES
EQLYB	BLANK YELLOW BIN LABELS

SLIDE RACKS AND SCOOP TRAYS & ACCESSORIES

Slide Racks are constructed of heavy duty steel and come standard with a gray baked on enamel finish. The standard slide rack comes with triple track slides and the premium slide rack comes with ball bearing slides. The scoop trays come separately and are removable from the slide rack. The scoop trays are built with a metal shell and a plastic insert and come in varying configurations.

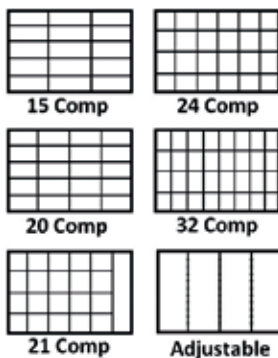
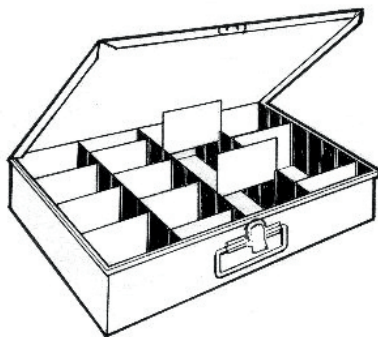
SLIDE RACKS



Standard Slide Rack
Part #:EQRK
20 1/4"W X 14 3/4"H X 12 7/8"D
Holds 4 scoop trays

Premium Slide Rack
Part #:EQRKBB
20 3/8"W X 15 1/2"H X 14 1/4"D
Holds 4 scoop trays

SCOOP TRAYS



Part #	Description
EQDR15	15 COMPARTMENT SCOOP TRAY
EQDR20	20 COMPARTMENT SCOOP TRAY
EQDR21	21 COMPARTMENT SCOOP TRAY
EQDR24	24 COMPARTMENT SCOOP TRAY
EQDR32	32 COMPARTMENT SCOOP TRAY
EQDRAD	ADJUSTABLE COMPARTMENT SCOOP TRAY

Scoop trays are 18"W X 3"H X 12"D and are available in the six configurations shown.

ACCESSORIES FOR SCOOP TRAYS

Part #	Description
EQDRD	DIVIDERS FOR ADJUSTABLE COMPARTMENT SCOOP TRAYS
EQL24	LABEL FOR 24 COMPARTMENT SCOOP TRAYS
EQL32	LABEL FOR 32 COMPARTMENT SCOOP TRAYS
EQLADJ	LABEL FOR ADJUSTABLE COMPARTMENT SCOOP TRAYS

KEYSTOCK RACK

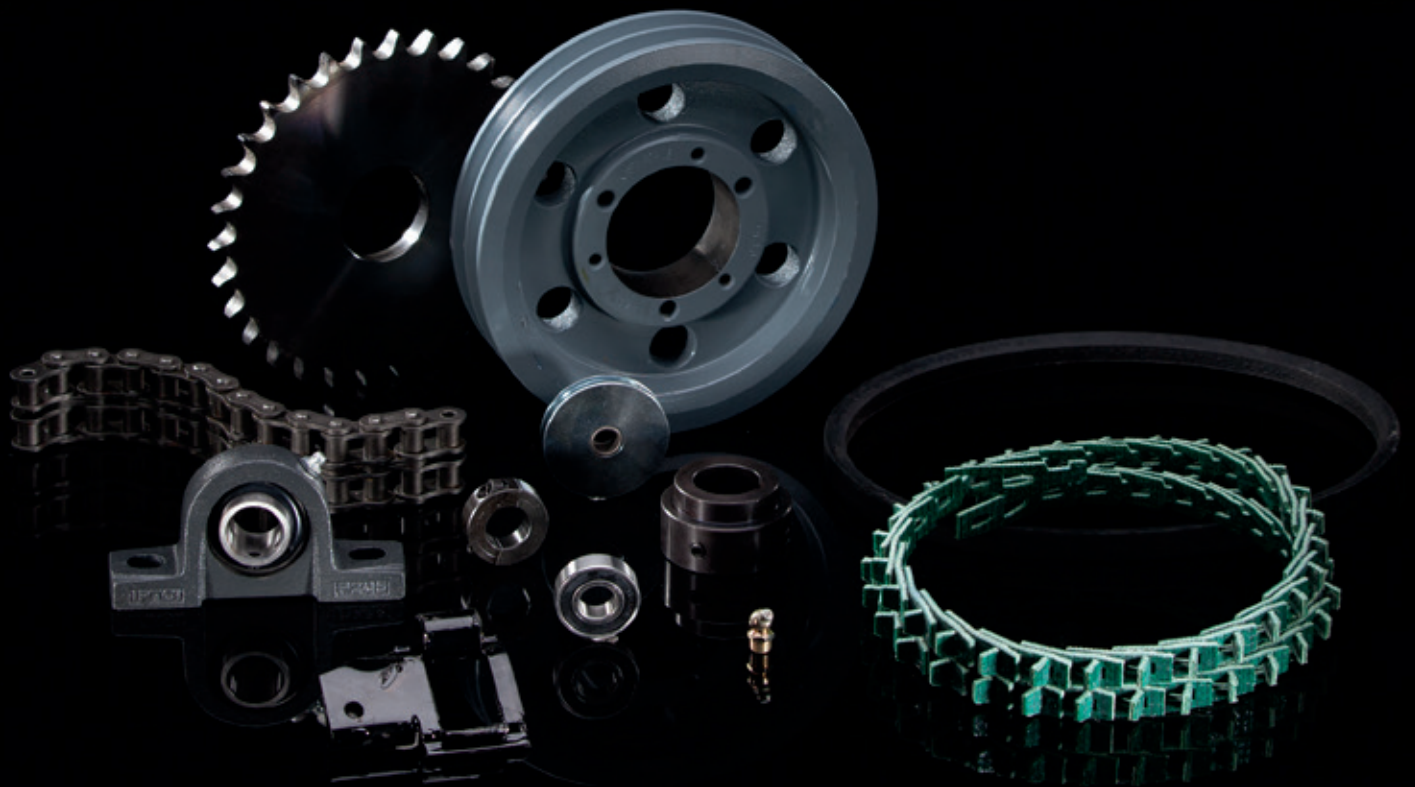


Part #: EQRKK
10 1/2"W X 6"H X 4 1/8"D
Hole Size: 1 1/2" X 1 1/2"

SECTION 2

POWER TRANSMISSION

PRODUCTS



MOUNTED BEARINGS

IPTCI **B E A R I N G S**

MOUNTED BEARINGS

IPTCI Bearings offers a complete line of mounted bearings that combine excellent quality, innovation, and affordability. We stock a broad range of IPTCI bearings.

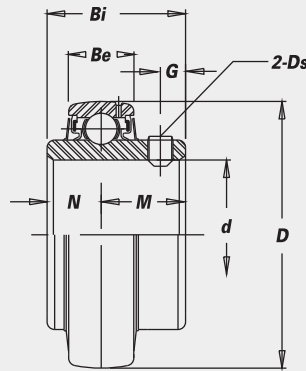
Note: The following pages give the technical information for the IPTCI bearings. The IPTCI bearings we stock are listed on the pages following the technical information. The bearings we do not have in stock are available in 2-3 days.

UC & UCW Bearing Inserts



Standard duty with set screw lock.

- Wide inner race
- B-type or L3-type seals



Bearing No.	Bore Dia. of Bearing		Dimensions (in.) (mm)							Basic Load Rating (lbs.)	Basic Static Load Rating (lbs.)	Weight (lbs.)	
	d	d	D	Bi	Be	N	M	G	Ds (in.)				
UCW 201		12										0.26	
201-8	1/2											0.26	
202		15	1.5748	1.0236	0.5906	0.3937	0.6299	0.1575		10-32UNF	2,040	1,020	0.24
202-10	5/8		40.0	26.0	15.0	10.0	16.0	4.0					0.24
203		17											0.22
UC 201		12											0.46
201-8	1/2												0.46
202		15	1.8504	1.2205	0.6299	0.5000	0.7205	0.1969		1/4-28UNF	2,740	1,600	0.42
202-10	5/8		47.0	31.0	16.0	12.7	18.3	5.0					0.42
203		17											0.40
204-12	3/4												0.35
204		20											0.35
UC 205-14	7/8												0.51
205-15	15/16												0.46
205		25	2.0472	1.3386	0.6693	0.5630	0.7756	0.2165		1/4-28UNF	3,010	1,750	0.44
205-16	1		52.0	34.0	17.0	14.3	19.7	5.5					0.44
UC 206-17	1 1/16												0.81
206-18	1 1/8												0.75
206		30	2.4409	1.5000	0.7480	0.6260	0.8740	0.2362		1/4-28UNF	4,200	2,430	0.71
206-19	1 3/16		62.0	38.1	19.0	15.9	22.2	6.0					0.71
206-20	1 7/8												0.71
UC 207-20	1 1/4												1.19
207-21	1 5/16												1.12
207-22	1 3/8		2.8346	1.6890	0.7874	0.6890	1.0000	0.2559		5/16-24UNF	5,535	3,340	1.06
207		35	72.0	42.9	20.0	17.5	25.4	6.5					1.06
207-23	1 7/16												0.99
UC 208-24	1 1/2												1.50
208-25	1 5/8												1.43
208		40	3.1496	1.9370	0.8268	0.7480	1.1890	0.3150		5/16-24UNF	6,375	3,960	1.41
			80.0	49.2	21.0	19.0	30.2	8.0					1.41
UC 209-26	1 5/8												1.72
209-27	1 11/16												1.63
209-28	1 3/4		3.3465	1.9370	0.8661	0.7480	1.1890	0.3150		5/16-24UNF	7,110	4,460	1.54
209		45	85.0	49.2	22.0	19.0	30.2	8.0					1.50
UC 210-30	1 7/8												1.92
210-31	1 15/16												1.81
210		50	3.5433	2.0315	0.9449	0.7480	1.2835	0.3543		3/8-24UNF	7,400	4,910	1.76
210-32	2S		90.0	51.6	24.0	19.0	32.6	9.0					1.66
UC 211-32	2												2.78
211-34	2 1/8												2.54
211		55	3.9370	2.1890	0.9843	0.8740	1.3150	0.3543		3/8-24UNF	9,490	6,440	2.45
211-35	2 3/16		100.0	55.6	25.0	22.2	33.4	9.0					2.40
UC 212-36	2 1/4												3.68
212		60	4.3307	2.5630	1.0630	1.0000	1.5630	0.4134		3/8-24UNF	11,500	7,940	3.40
212-38	2 3/8		110.0	65.1	27.0	25.4	39.7	10.5					3.34
212-39	2 7/16												3.20
UC 213-40	2 1/2												4.28
213		65	4.7244	2.5630	1.1024	1.0000	1.5630	0.4724		1/2-20UNF	12,400	8,760	4.10
			120.0	65.1	28.0	25.4	39.7	12.0					4.10
UC 214-43	2 11/16												4.60
214-44	2 3/4												4.54
214		70	4.9210	2.9370	1.1811	1.1890	1.7480	0.4724		1/2-20UNF	13,530	9,620	4.52
			125.0	74.6	30.0	30.2	44.4	12.0					4.52
UC 215-47	2 15/16												5.02
215		75	5.1181	3.0630	1.2598	1.3110	1.7520	0.4724		1/2-20UNF	14,620	10,540	4.87
215-48	3		130.0	77.8	32.0	33.3	44.5	12.0					4.67
UC 216		80	5.5118	3.2520	1.2992	1.3110	1.9410	0.5512		1/2-20UNF	16,000	11,700	6.15
			140	82.6	33	33.3	49.3	14					6.15
UC 218-56	3 1/2												9.83
218		90	6.2992	3.7795	1.4961	1.5630	2.2165	0.5906		1/2-20UNF	21,120	15,700	9.59
			160.0	96.0	38.0	39.7	56.3	15.0					9.59

STANDARD PRODUCTS

NA & NAW Bearing Inserts



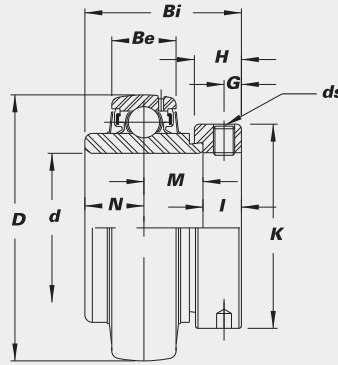
B-type Seal



L3-type Seal

Standard duty with eccentric locking collar.

- Wide inner race
- B-type or L3-type seals



Bearing No.	Bore Dia. of Bearing		Dimensions (in.) (mm)										Basic Load Rating (lbs.)	Basic Static Load Rating (lbs.)	Weight (lbs.)	
	d		D	Bi	Be	N	M	I	H	G	K	Ds				
	(in.)	(mm)														
NAW 201	12															0.35
201-8	1/2	15	1.5748	1.4685	0.5906	0.5472	0.5472	0.3740	1.1260	0.5315	0.1890	1/4-28UNF	2,040	1,020	0.35	
202			40.0	37.3	15.0	13.9	13.9	9.5	28.6	13.5	4.8				0.31	
202-10	5/8	17													0.31	
203															0.29	
NA 201	12															0.64
201-8	1/2	15	1.8504	1.7126	0.6299	0.6693	0.6693	0.3740	1.3110	0.5315	0.1890	1/4-28UNF	2,740	1,600	0.62	
202			47.0	43.5	16.0	17.0	17.0	9.5	33.3	13.5	4.8				0.60	
202-10	5/8	17														
203																
204-12	3/4	20														
204																
NA 205-14	7/8	25	2.0472	1.7441	0.6693	0.6850	0.6850	0.3740	1.5000	0.5315	0.1890	1/4-28UNF	3,010	1,750	0.64	
205-15	15/16		52.0	44.3	17.0	17.4	17.4	9.5	38.1	13.5	4.8				0.60	
205																
205-16	1															
NA 206-17	1 1/16	30	2.4409	1.9016	0.7480	0.7165	0.7165	0.4685	1.7520	0.6260	0.2362	5/16-24UNF	4,200	2,430	0.99	
206-18	1 1/8		62.0	48.3	19.0	18.2	18.2	11.9	44.5	15.9	6.0				0.95	
206																
206-19	1 3/16															
206-20	1 7/8 S															
NA 207-20	1 1/4	35	2.8346	2.0118	0.7874	0.7402	0.7402	0.5315	2.1890	0.6890	0.2677	5/16-24UNF	5,535	3,340	1.50	
207-21	1 5/16		72.0	51.1	20.0	18.8	18.8	13.5	55.6	17.5	6.8				1.43	
207-22	1 3/8															
207																
207-23	1 7/16															
NA 208-24	1 1/2	40	3.1496	2.2165	0.8268	0.8425	0.8425	0.5315	2.3740	0.7205	0.2677	5/16-24UNF	6,375	3,960	1.83	
208-25	1 9/16		80.0	56.3	21.0	21.4	21.4	13.5	60.3	18.3	6.8				1.77	
208																
NA 209-26	1 5/8	45	3.3465	2.2165	0.8661	0.8425	0.8425	0.5315	2.5000	0.7205	0.2677	5/16-24UNF	7,110	4,460	2.22	
209-27	1 11/16		85.0	56.3	22.0	21.4	21.4	13.5	63.5	18.3	6.8				2.01	
209-28	1 3/4															
209																
NA 210-30	1 7/8	50	3.5433	2.4685	0.9449	0.9685	0.9685	0.5315	2.7520	0.7205	0.2677	5/16-24UNF	7,400	4,910	2.38	
210-31	1 9/16		90.0	62.7	24.0	24.6	24.6	13.5	69.9	18.3	6.8				2.29	
210																
210-32	2 S															
NA 211-32	2	55	3.9370	2.8110	0.9843	1.0906	1.0906	0.6299	3.0000	0.8189	0.3150	3/8-24UNF	9,490	6,440	3.48	
211-34	2 1/8		100.0	71.4	25.0	27.7	27.7	16.0	76.2	20.8	8.0				3.30	
211																
211-35	2 3/16															
NA 212-36	2 1/4	60	4.3307	3.0630	1.0630	1.2165	1.2165	0.6299	3.3150	0.8740	0.3150	3/8-24UNF	11,500	7,490	4.48	
212			110.0	77.8	27.0	30.9	30.9	16.0	84.2	22.2	8.0				4.12	
212-38	2 3/8															
212-39	2 7/16															
NA 213-40	2 1/2	65	4.7244	3.3740	1.1024	1.3425	1.3425	0.6890	3.3858	0.9252	0.3346	3/8-24UNF	12,400	8,760	5.53	
213			120.0	85.7	28.0	34.1	34.1	17.5	86.0	23.5	8.5				5.31	
NA 214-44	2 3/4	70	4.9213	3.3740	1.1811	1.3425	1.3425	0.6890	3.5433	0.9252	0.3346	3/8-24UNF	13,530	9,620	5.80	
214			125.0	85.7	30.0	34.1	34.1	17.5	90.0	23.5	8.5				5.67	
NA 215-47	2 15/16	75	5.1181	3.6260	1.2598	1.4685	1.4685	0.6890	4.0157	0.9252	0.3346	3/8-24UNF	14,620	10,540	6.26	
215			130.0	92.1	32.0	37.3	37.3	17.5	102.0	23.5	8.5				6.04	
215-48	3															

STANDARD PRODUCTS

UCX Bearing Inserts



Medium duty with set screw lock.

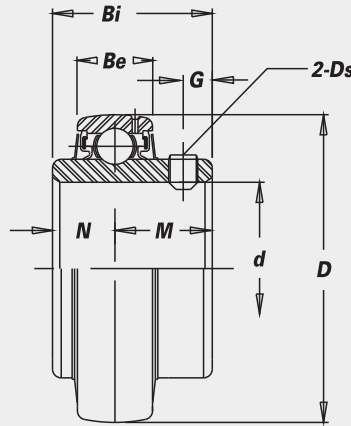
- Wide inner race with greater load carrying capacity than UC insert
- B-type seals
L3-type seals available in some sizes



B-type Seal



L3-type Seal



STANDARD PRODUCTS

Bearing No.	Bore Dia. of Bearing		Dimensions (in.) (mm)							Basic Load Rating (lbs.)	Basic Static Load Rating (lbs.)	Weight (lbs.)				
	<i>d</i>	<i>D</i>	<i>Bi</i>	<i>Be</i>	<i>N</i>	<i>M</i>	<i>G</i>	<i>Ds</i>								
UC X05-14	7/8	25	2.4409	1.5000	0.7480	0.6260	0.8740	0.2362	1/4-28UNF	4,200	2,430	0.93				
X05-15	15/16		62.0	38.1	19.0	15.9	22.2	6.0				0.89				
X05	1		80.0	42.9	20.0	17.5	25.4	6.5				0.86				
X05-16	1		85.0	49.2	24.0	19.0	30.2	8.0				0.84				
UC X06-18	1 1/8	30	2.8346	1.6890	0.7874	0.6890	1.0000	0.2559	5/16-24UNF	5,535	3,340	1.35				
X06	1 3/16		72.0	42.9	20.0	17.5	25.4	6.5				1.28				
X06-19	1 3/16		80.0	49.2	21.0	19.0	30.2	8.0				1.28				
X06-20	1 1/4		85.0	49.2	22.0	19.0	30.2	8.0				1.21				
UC X07-22	1 3/8	35	3.1496	1.9370	0.8268	0.7480	1.1890	0.3150	5/16-24UNF	6,375	3,960	1.65				
X07	1 7/16		80.0	49.2	21.0	19.0	30.2	8.0				1.65				
X07-23	1 7/16		85.0	49.2	22.0	19.0	30.2	8.0				1.59				
UC X08-24	1 1/2		40	3.3465	1.9370	0.8661	0.7480	1.1890				0.3150	5/16-24UNF	7,110	4,460	1.92
X08	1 5/8	80.0		49.2	24.0	19.0	32.6	9.0	1.83							
UC X09-26	1 5/8	45		3.5433	2.0315	0.9449	0.7480	1.2835	0.3543	3/8-24UNF	7,400	4,910				2.36
X09-27	1 11/16			80.0	51.6	24.0	19.0	32.6	9.0							2.23
X09-28	1 3/4		85.0	51.6	24.0	19.0	32.6	9.0	2.14							
X09	1 3/4		90.0	51.6	24.0	19.0	32.6	9.0	2.09							
UC X10-30	1 7/8	50	3.9370	2.1890	0.9843	0.8740	1.3150	0.3543	3/8-24UNF	9,490	6,440	3.00				
X10-31	1 15/16		80.0	55.6	25.0	22.2	33.4	9.0				2.91				
X10	2		85.0	55.6	25.0	22.2	33.4	9.0				2.84				
X10-32	2		90.0	55.6	25.0	22.2	33.4	9.0				2.78				
UC X11-34	2 1/8	55	4.3307	2.5630	1.0630	1.0000	1.5630	0.4134	3/8-24UNF	11,500	7,940	4.12				
X11	2 1/8		80.0	65.1	27.0	25.4	39.7	10.5				3.97				
X11-35	2 3/16		85.0	65.1	27.0	25.4	39.7	10.5				3.92				
X11-36	2 1/4		90.0	65.1	28.0	25.4	39.7	12.0				3.75				
UC X12	2 3/8	60	4.7244	2.5630	1.1024	1.0000	1.5630	0.4724	1/2-20UNF	12,400	8,760	4.52				
X12-38	2 3/8		80.0	65.1	28.0	25.4	39.7	12.0				4.48				
X12-39	2 7/16		85.0	65.1	28.0	25.4	39.7	12.0				4.30				
UC X13-40	2 1/2		65	4.9213	2.9370	1.1811	1.1890	1.7480				0.4724	1/2-20UNF	13,530	9,620	4.75
X13	2 1/2	80.0		74.6	30.0	30.2	44.4	12.0	4.56							
UC X14-43	2 11/16	70		5.1181	3.0630	1.2598	1.3110	1.7520	0.4724	1/2-20UNF	14,620	10,540				6.06
X14	2 11/16			80.0	77.8	32.0	33.3	44.5	12.0							6.04
UC X15-47	2 5/8		75	5.5118	3.2520	1.2992	1.3110	1.9410	0.5512				1/2-20UNF	16,000	11,700	7.77
X15	2 5/8			80.0	82.6	33.0	33.3	49.3	14.0							7.52
X15-48	3	85.0		82.6	33.0	33.3	49.3	14.0	7.32							
UC X17	3 1/16	85		6.2992	3.7795	1.4961	1.5630	2.2165	0.5906	1/2-20UNF	21,120	15,800				11.1
X17-55	3 1/16		80.0	96.0	38.0	39.7	56.3	15.0	10.7							
X17-56	3 1/2		85.0	96.0	38.0	39.7	56.3	15.0	10.4							
UC X20	3 15/16		100	7.4803	4.6260	1.6929	1.9370	2.6890	0.7087				5/8-18UNF	29,300	23,100	18.9
X20-63	3 15/16	80.0		117.5	43.0	49.2	68.3	18.0	18.6							
X20-64	4	85.0		117.5	43.0	49.2	68.3	18.0	18.4							
X20-64	4	90.0		117.5	43.0	49.2	68.3	18.0	18.4							

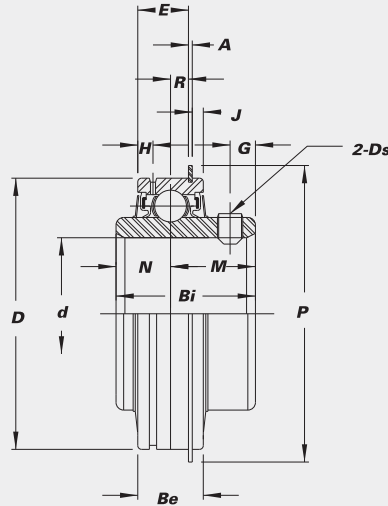
ER Bearing Inserts



B-type Seal

Standard duty with snap ring and set screw lock.

- Wide inner race
- Black Oxide Finish
- B-type seals



STANDARD PRODUCTS

Bearing No.	Bore Dia. of Bearing		Dimensions (in. (mm))													Basic Load Rating (lbs.)	Basic Static Load Rating (lbs.)	Weight (lbs.)	
	d	d	D	Bi	Be	N	M	E	A	H	R	J	P	G	Ds (in.)				
ER 201		12																	
201-8	1/2																		
202		15	1.8504	1.2188	0.6250	0.4063	0.8125	0.4844	0.0469	0.1719	0.1719	0.0938	2.0625	0.1875		1/4-28UNF	2,740	1,600	0.49
202-10	5/8		47.0	31.0	15.9	10.3	20.6	12.30	1.19	4.4	4.37	2.38	52.4	4.8					
203		17																	
204-12	3/4																		
204		20																	
ER 205-14	7/8		2.0472	1.3750	0.7500	0.5156	0.8594	0.6094	0.0469	0.2031	0.2344	0.0938	2.2656	0.2188		1/4-28UNF	3,010	1,750	0.60
205-15	15/16		52.0	34.9	19.1	13.1	21.8	15.48	1.19	5.2	5.95	2.38	57.5	5.6					
205		25																	
205-16	1																		
ER 206-17	1 1/16		2.4409	1.5000	0.8661	0.6260	0.8740	0.6760	0.6550	0.2165	0.2421	0.1252	2.6575	0.2362		1/4-28UNF	4,200	2,430	0.86
206-18	1 1/8		62.0	38.1	22.0	15.9	22.2	17.17	1.65	5.5	6.15	3.18	67.5	6.0					
206		30																	
206-19	1 3/16																		
206-20	1 1/4 S																		
ER 207-20	1 1/4		2.8346	1.6890	0.9449	0.6890	1.0000	0.7547	0.0650	0.2165	0.2815	0.1252	3.0906	0.2559		5/16-24UNF	5,535	3,340	1.39
207-21	1 5/16		72.0	42.9	24.0	17.5	25.4	19.17	1.65	5.5	7.15	3.18	78.4	6.5					
207-22	1 3/8																		
207		35																	
207-23	1 7/16																		
ER 208-24	1 1/2		3.1496	1.9370	1.1024	0.7480	1.1890	0.9122	0.0650	0.2362	0.3602	0.1252	3.4016	0.3150		5/16-24UNF	6,375	3,960	1.79
208-25	1 5/16		80.0	49.2	28.0	19.0	30.2	23.17	1.65	6.0	9.15	3.18	86.4	8.0					
208		40																	
ER 209-26	1 5/8		3.3465	1.9370	1.1024	0.7480	1.1890	0.9122	0.0650	0.2362	0.3602	0.1252	3.5984	0.3150		5/16-24UNF	7,110	4,460	1.98
209-27	1 11/16		85.0	49.2	28.0	19.0	30.2	23.17	1.65	6.0	9.15	3.18	91.4	8.0					
209-28	1 3/4																		
209		45																	
ER 210-30	1 7/8		3.5433	2.0315	1.1024	0.7480	1.2835	0.8823	0.0949	0.2953	0.3303	0.1252	3.7913	0.3543		3/8-24UNF	7,400	4,910	2.16
210-31	1 15/16		90.0	51.6	28.0	19.0	32.6	22.41	2.41	7.5	8.39	3.18	96.3	9.0					
210		50																	
210-32	2 S																		
ER 211-32	2		3.9370	2.1890	1.1811	0.8740	1.3150	0.9610	0.0949	0.2953	0.3697	0.1252	4.1850	0.3543		3/8-24UNF	9,490	6,440	3.11
211-34	2 1/8		100.0	55.6	30.0	22.2	33.4	24.41	2.41	7.5	9.39	3.18	106.3	9.0					
211		55																	
211-35	2 9/16																		
ER 212-36	2 1/4		4.3307	2.5630	1.2598	1.0000	1.5630	1.0398	0.0949	0.2953	0.4091	0.1252	4.5827	0.4134		3/8-24UNF	11,500	7,940	4.17
212		60	110.0	65.1	32.0	25.4	39.7	26.41	2.41	7.5	10.39	3.18	116.4	10.5					
212-38	2 3/8																		
212-39	2 7/16																		
ER 215-47	2 15/16		5.1181	3.0625	1.5000	1.3125	1.7500	1.2344	0.1130	0.3750	0.4844	0.1563	5.5000	0.4375		1/2-20UNF	14,620	10,540	6.30
215		75	130.0	77.8	38.1	33.3	44.5	31.35	2.87	9.53	12.30	3.97	139.7	11.1					
215-48	3																		

SB & CSB Bearing Inserts

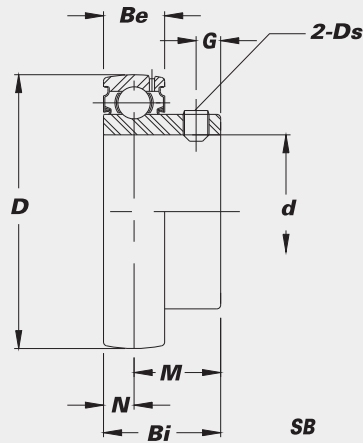


- Set screw lock
- Available relubricatable or non-relubricatable
- Narrow inner race

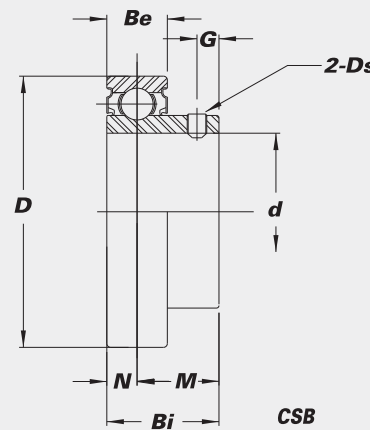
- K-type seals
- Spherical (SB) and cylindrical (CSB)



K-type Seal



SB



CSB

STANDARD PRODUCTS

Bearing No.	Bore Dia. of Bearing		Dimensions (in. (mm))							Basic Load Rating (lbs.)	Basic Static Load Rating (lbs.)	Weight (lbs.)
	d (in.)	d (mm)	Be	D	Bi	N	M	G	Ds			
SB_G Relubricatable Inserts												
SB 201G		12										
201-8G	1/2	15	0.4724	1.5748	0.8661	0.2362	0.6299	0.1575	10-32UNF	2,040	1,020	0.22
202G			12.0	40.0	22.0	6.0	16.0	4.0				
202-10G	5/8	17										
203G												
SB 204-12G	3/4	20	0.5512	1.8504	0.9843	0.2756	0.7087	0.1969	1/4-28UNF	2,740	1,600	0.33
204G			14.0	47.0	25.0	7.0	18.0	5.0				
SB 205-14G	7/8	25	0.5906	2.0472	1.0630	0.2953	0.7677	0.2165	1/4-28UNF	3,010	1,750	0.40
205-15G	15/16		15.0	52.0	27.0	7.5	19.5	5.5				
205G												
205-16G	1											
SB 206-17G	1 1/16	30	0.7087	2.4409	1.1811	0.3150	0.8661	0.2362	1/4-28UNF	4,200	2,430	0.68
206-18G	1 1/8		18.0	62.0	30.0	8.0	22.0	6.0				
206G												
206-19G	1 3/16											
206-20G	1 1/4S											
SB 207-20G	1 1/4	35	0.7480	2.8346	1.2992	0.3740	0.9252	0.2362	5/16-24UNF	5,535	3,340	1.06
207-21G	1 5/16		19.0	72.0	33.0	9.5	23.5	6.0				
207-22G	1 3/8											
207G												
207-23G	1 7/16											
SB 208-24G	1 1/2	40	0.8661	3.1496	1.4173	0.4331	0.9843	0.3150	5/16-24UNF	6,375	3,960	1.51
208-25G	1 3/16		22.0	80.0	36.0	11.0	25.0	8.0				
208G												

SB_N and CSB Non-Relubricatable Inserts

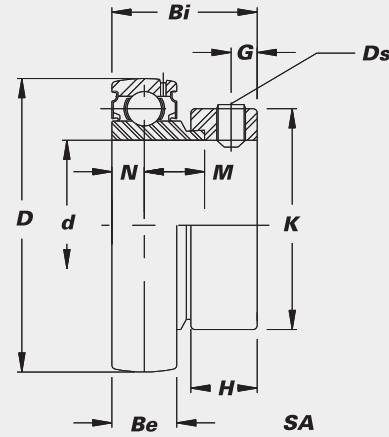
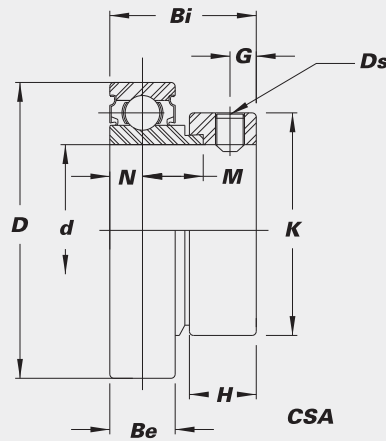
SB 201N		12										
201-8N	1/2	15	0.4724	1.5748	0.8661	0.2362	0.6299	0.1575	10-32UNF	2,040	1,020	0.22
202N			12.0	40.0	22.0	6.0	16.0	4.0				
202-10N	5/8	17										
203N												
SB 204-12N	3/4	20	0.5512	1.8504	0.9843	0.2756	0.7087	0.1969	1/4-28UNF	2,740	1,600	0.33
204N			14.0	47.0	25.0	7.0	18.0	5.0				
SB 205-14N	7/8	25	0.5906	2.0472	1.0630	0.2953	0.7677	0.2165	1/4-28UNF	3,010	1,750	0.40
205-15N	15/16		15.0	52.0	27.0	7.5	19.5	5.5				
205N												
205-16N	1											
SB 206-17N	1 1/16	30	0.6299	2.4409	1.1417	0.3150	0.8267	0.2362	1/4-28UNF	4,200	2,430	0.60
206-18N	1 1/8		16.0	62.0	29.0	8.0	21.0	6.0				
206N												
206-19N	1 3/16											
206-20N	1 1/4S											
SB 207-20N	1 1/4	35	0.6693	2.8346	1.2598	0.3346	0.9252	0.2362	5/16-24UNF	5,535	3,340	0.93
207-21N	1 5/16		17.0	72.0	32.0	8.5	23.5	6.0				
207-22N	1 3/8											
207N												
207-23N	1 7/16											
SB 208-24N	1 1/2	40	0.7087	3.1496	1.3386	0.3543	0.9843	0.3150	5/16-24UNF	6,375	3,960	1.32
208N			18.0	80.0	34.0	9.0	25.0	8.0				

SA & CSA Bearing Inserts



- Eccentric locking collar
- Narrow inner race
- K-type seals

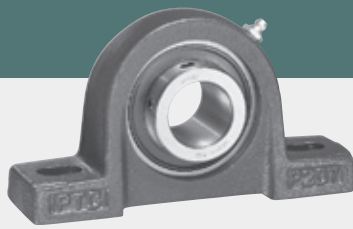
- Available relubricatable (G) or non-relubricatable (N)
- Spherical (SA) and cylindrical (CSA)



Bearing No.	Bore Dia. of Bearing		Dimensions (in. (mm))								Basic Load Rating (lbs.)	Basic Static Load Rating (lbs.)	Weight (lbs.)	
	d (in.)	d (mm)	Be	D	Bi	N	M	G	Ds	K				H
SA201		12												
201-8	1/2	15	0.5118	1.5748	1.1260	0.2559	0.4960	0.1890						
202			13.0	40.0	28.6	6.5	12.6	4.8	1/4-28UNF	1.1260	0.5315	2,040	1,020	0.29
202-10	5/8	17												
203														
SA204-12	3/4	20	0.5906	1.8504	1.2205	0.2953	0.5512	0.1890						
204			15.0	47.0	31.0	7.5	14.0	4.8	1/4-28UNF	1.3110	0.5315	2,740	1,600	0.43
SA205-14	7/8	25	0.5906	2.0472	1.2205	0.2953	0.5513	0.1890						
205-15	15/16		15.0	52.0	31.0	7.5	14.0	4.8	1/4-28UNF	1.5000	0.5315	3,010	1,750	0.51
205														
205-16	1													
SA206-17	1 1/16	30	0.7087	2.4409	1.4055	0.3543	0.5827	0.2362						
206-18	1 1/8		18.0	62.0	35.7	9.0	14.8	6.0	5/16-24UNF	1.7520	0.6260	4,200	2,430	0.75
206														
206-19	1 3/16													
206-20	1 1/4S													
SA207-20	1 1/4	35	0.7480	2.8346	1.5315	0.3740	0.6260	0.2677						
207-21	1 5/16		19.0	72.0	38.9	9.5	15.9	6.8	5/16-24UNF	2.1890	0.6890	5,535	3,340	1.26
207-22	1 3/8													
207														
207-23	1 7/16													
SA208-24	1 1/2	40	0.8661	3.1496	1.7205	0.4331	0.7559	0.2677						
208-25	1 9/16		22.0	80.0	43.7	11.0	19.2	6.8	5/16-24UNF	2.3740	0.7205	6,375	3,960	1.65
208														
SA209-26	1 5/8	45	0.8661	3.3465	1.7205	0.4331	0.7559	0.2677						
209-27	1 11/16		22.0	85.0	43.7	11.0	19.2	6.8	5/16-24UNF	2.5000	0.7205	7,110	4,460	1.81
209-28	1 3/4													
209														
SA210-30	1 7/8	50	0.8661	3.5433	1.7205	0.4331	0.7559	0.2677						
210-31	1 15/16		22.0	90.0	43.7	11.0	19.2	6.8	5/16-24UNF	2.7520	0.7205	7,400	4,910	1.87
210														
210-32	2S													
SA211-32	2	55	0.9449	3.9370	1.9055	0.4724	0.8031	0.3150						
211-34	2 1/8		24.0	100.0	48.4	12.0	20.4	8.0	3/8-24UNF	3.0000	0.8189	9,490	6,440	2.65
211														
211-35	2 3/16													

STANDARD PRODUCTS

UCP Pillow Blocks



Standard duty. High shaft height with set screw lock.

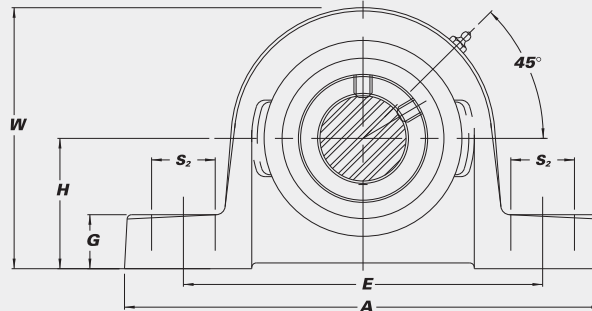
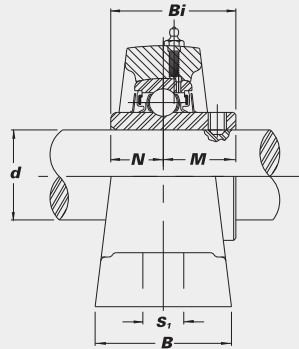
- Cast iron housing
- Wide inner race bearing
- B-type or L3-type seals
- Available with high temp. bearings - See page 46



B-type Seal



L3-type Seal



STANDARD PRODUCTS

Unit No.	Shaft Dia.		Dimensions (in.) (mm)											Bolt Used (in.)	Bearing No.	Housing No.	Weight (lbs.)			
	d (in.)	d (mm)	H	A	E	B	S ₂	S ₁	G	W	Bi	N	M							
UCP 201		12																UCW 201		
201-8	1/2	15	13/16	47/8	35/8	17/16	3/4	7/16	17/32	223/64	1.0236	0.3937	0.6299	3/8				201-8		
202		15	30.2	124	92	37	19	11	13	60	26.0	10.0	16.0					202	P 203	1.5
202-10	5/8	17																202-10		
203		17																203		
UCP 204-12	3/4	20	15/16	5	33/4	11/2	11/16	7/16	9/16	219/32	1.2205	0.5000	0.7205	3/8				UC 204-12	P 204	1.6
204		20	33.3	127	95	38	17	11	14	66	31.0	12.7	18.3					204		
UCP 205-14	7/8	25	17/16	51/2	41/8	11/2	11/16	1/2	5/8	227/32	1.3386	0.5630	0.7756	3/8				UC 205-14		
205-15	15/16	25	36.5	140	105	38	17	13	16	72	34.0	14.3	19.7					205-15	P 205	2.0
205		25																205		
205-16	1	25																205-16		
UCP 206-17	11/16	30	111/16*	65/16	43/4	13/4	13/16	9/16	11/16	319/64	1.5000	0.6260	0.8740	1/2				UC 206-17		
206-18	11/8	30	42.9	160	121	44	21	14	18	84	38.1	15.9	22.2					206-18	P 206	3.0
206		30																206		
206-19	13/16	30																206-19		
206-20	11/4S	30																206-20		
UCP 207-20	11/4	35	17/8	617/32	5	129/32	7/8	9/16	3/4	311/16	1.6890	0.6890	1.0000	1/2				UC 207-20		
207-21	15/16	35	47.6	166	127	48	22	14	19	94	42.9	17.5	25.4					207-21		
207-22	13/8	35																207-22	P 207	4.0
207		35																207		
207-23	17/16	35																207-23		
UCP 208-24	11/2	40	115/16**	71/8	57/16	2	7/8	9/16	13/16	4	1.9370	0.7480	1.1890	1/2				UC 208-24		
208-25	15/16	40	49.2	181	137	51	22	14	21	102	49.2	19.0	30.2					208-25	P 208	5.0
208		40																208		
UCP 209-26	15/8	45	21/8	71/2	53/4	21/8	13/16	19/32	7/8	417/64	1.9370	0.7480	1.1890	1/2				UC 209-26		
209-27	11/16	45	54.0	190	146	54	21	15	22	109	49.2	19.0	30.2					209-27	P 209	5.7
209-28	13/4	45																209-28		
209		45																209		
UCP 210-30	17/8	50	21/4	8	61/4	21/4	15/16	23/32	15/16	433/64	2.0315	0.7480	1.2835	5/8				UC 210-30		
210-31	115/16	50	57.2	203	159	57	24	18	24	115	51.6	19.0	32.6					210-31	P 210	6.8
210		50																210		
210-32	2S	50																210-32		
UCP 211-32	2	55	21/2	85/8	67/8	23/8	15/16	23/32	11/16	51/32	2.1890	0.8740	1.3150	5/8				UC 211-32		
211-34	21/8	55	63.5	220	174	60	24	18	27	128	55.6	22.2	33.4					211-34	P 211	8.8
211		55																211		
211-35	23/16	55																211-35		
UCP 212-36	21/4	60	23/4	917/32	711/32	21/2	1	25/32	11/16	533/64	2.5630	1.0000	1.5630	5/8				UC 212-36		
212		60	69.8	242	187	64	25.4	20	27	140	65.1	25.4	39.7					212	P 212	11.2
212-38	23/8	60																212-38		
212-39	21/16	60																212-39		
UCP 213-40	21/2	65	3	103/4	81/8	211/16	13/16	13/16	11/8	61/32	2.5630	1.0000	1.5630	5/8				UC 213-40		
213		65	76.2	273	206	68	30	20	28	153	65.1	25.4	39.7					213	PX12	14.1
UCP 214-43	211/16	70	3	103/4	81/8	21/2	113/16	13/16	11/8	61/32	2.9370	1.1890	1.7480	5/8				UC 214-43		
214-44	23/4	70	76.2	273	206	64	30	20	28	153	74.6	30.2	44.4					214-44	PX13	14.5
214		70																214		
UCP 215-47	215/16	75	31/4	1013/16	81/2	215/16	11/4	1	11/8	633/64	3.0630	1.3110	1.7520	7/8				UC 215-47		
215		75	82.6	275	217	75	31	25.4	29	166	77.8	33.3	44.5					215	P 215	17.0
215-48	3	75																215-48		

Interchange Page 47. *Also available 15/16" **Also available 21/8"

UCPX Pillow Blocks



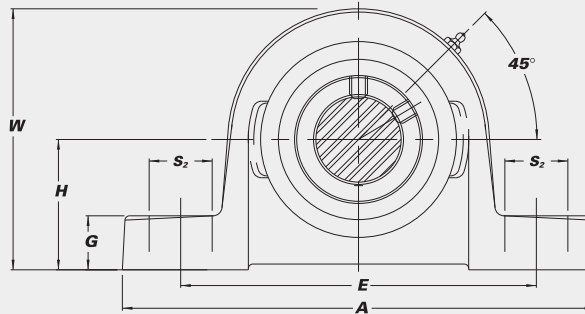
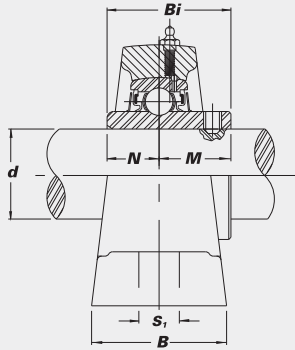
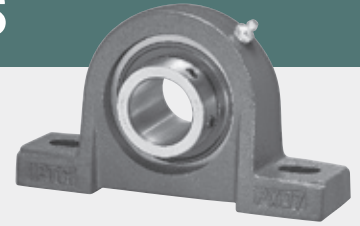
B-type Seal



L3-type Seal

Medium duty with set screw lock.

- Wide inner race bearing with greater load carrying capacity than standard duty
- Cast iron housing
- B-type seals
- L3-type seals available in some sizes



Unit No.	Shaft Dia.		Dimensions (in.) (mm)											Bolt Used (in.)	Bearing No.	Housing No.	Weight (lbs.)
	d (in.)	d (mm)	H	A	E	B	S ₂	S ₁	G	W	Bi	N	M				
UCP X05-14 X05-15 X05	7/8 15/16 1	25	1 11/16 42.9	6 5/16 160	4 3/4 121	1 3/4 44	1 3/16 21	9/16 14.2	1 1/16 18	3 19/64 83.7	1.5000 38.1	0.6260 15.9	0.8740 22.2	1/2	UC X05-14 X05-15 X05 X05-16	P X05	3.5
UCP X06-18 X06 X06-19 X06-20	1 1/8 1 3/16 1 1/4	30	1 7/8 47.6	6 17/32 165.9	5 127	1 29/32 48.5	7/8 22.4	9/16 14.2	3/4 19.1	3 11/16 93.7	1.6890 42.9	0.6890 17.5	1.0000 25.4	1/2	UC X06-18 X06 X06-19 207-20	P 207	4.6
UCP X07-22 X07 X07-23	1 3/8 1 7/16	35	2 1/8 54.0	7 1/4 184.2	5 17/32 140.5	1 15/16 49.2	1 5/16 23.8	9/16 14.2	1 3/16 20.6	4 3/16 106.4	1.9370 49.2	0.7480 19.0	1.1890 30.2	1/2	UC X07-22 X07 X07-23	P X07	6.0
UCP X08-24 X08	1 1/2	40	2 1/8 54.0	7 1/2 190.5	5 3/4 146.1	2 1/8 54.1	1 13/16 20.6	1 9/32 15	7/8 22.3	4 17/64 108.3	1.9370 49.2	0.7480 19.0	1.1890 30.2	1/2	UC X08-24 X08	P 209	7.7
UCP X09-26 X09-27 X09-28 X09	1 5/8 1 11/16 1 3/4 45	45	2 1/4 57.2	8 203.2	6 1/4 158.8	2 1/4 57.2	1 5/16 23.8	2 3/32 18.3	1 5/16 23.8	4 33/64 114.7	2.0315 51.6	0.7480 19.0	1.2835 32.6	5/8	UC X09-26 X09-27 X09-28 X09	P 210	8.2
UCP X10-30 X10-31 X10 X10-32	1 7/8 1 15/16 2	50	2 1/2 63.5	8 5/8 219.2	6 7/8 174.8	2 3/8 60.5	1 5/16 23.8	2 3/32 18.3	1 1/16 26.9	5 1/32 127.8	2.1890 55.6	0.8740 22.2	1.3150 33.4	5/8	UC X10-30 X10-31 X10 211-32	P 211	10.1
UCP X11-34 X11 X11-35 X11-36	2 1/8 2 3/16 2 1/4	55	2 3/4 69.8	9 17/32 242.1	7 11/32 186.4	2 1/2 63.5	1 25.4	2 5/32 19.8	1 1/16 26.9	5 39/64 140.1	2.5630 65.1	1.0000 25.4	1.5630 39.7	5/8	UC X11-34 X11 X11-35 212-36	P 212	14.1
UCP X12 X12-38 X12-39	2 3/8 2 1/16	60	3 76.2	10 3/4 273.1	8 1/8 206.4	2 11/16 68.3	1 9/16 30.2	1 9/16 20.4	1 1/8 28.6	5 63/64 152	2.5630 65.1	1.0000 25.4	1.5630 39.7	5/8	UC X12 X12-38 X12-39	P X12	17.0
UCP X13-40 X13	2 1/2	65	3 76.2	10 3/4 273.1	8 1/8 206.4	2 11/16 68.3	1 9/16 30.2	1 9/16 20.4	1 1/8 28.6	5 63/64 152	2.9370 74.6	1.1890 30.2	1.7480 44.4	5/8	UC X13-40 X13	P X13	17.3
UCP X14-43 X14-44 X14	2 11/16 2 3/4	70	3 1/2 88.9	13 330	9 229	3 1/2 89	2 51	1 1/16 27	1 3/8 35	6 25/32 172	3.0630 77.8	1.3110 33.3	1.7520 44.5	7/8	UC X14-43 X14-44 X14	P X14	24.5
UCP X15 X15-47 X15-48	2 15/16 3	75	3 1/2 88.9	11 3/4 298.5	9 1/8 231.8	3 76.2	1 1/16 36.5	1 25.4	1 3/8 35	7 1/32 178.6	3.2520 82.6	1.3110 33.3	1.9410 49.3	7/8	UC X15 X15-47 X15-48	P X15	23.6
UCP X17 X17-55 X17-56	3 7/16 3 1/2	85	4 101.6	14 355.6	11 1/16 281	3 3/8 85.7	1 13/16 46	1 25.4	1 9/16 40	8 203.2	3.7795 96.0	1.5630 39.7	2.2165 56.3	7/8	UC X17 X17-55 X17-56	P X17	35.7
UCP X20 X20-63 X20-64	3 15/16 4	100	5 127.0	17 432	13 3/4 337	4 102	2 51	1.13 29	1 13/16 46	9 27/32 250	4.6260 117.5	1.9370 49.2	2.6890 68.3	1	UC X20 X20-63 X20-64	P X20	66.8

Interchange Page 47

STANDARD PRODUCTS

UCT Take Up Units



Wide slot, standard duty with set screw lock.

- Cast iron housing
- Wide inner race bearing
- Available with high temp. bearing - See page 46

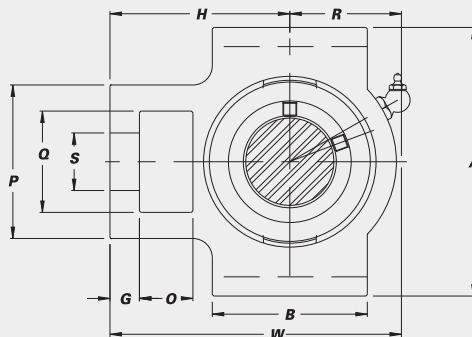
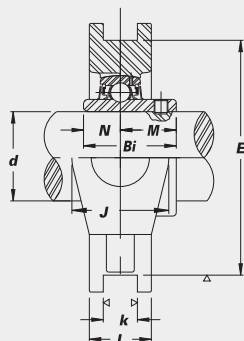
- B-type seals
- L3-type seals available in some sizes



B-type Seal



L3-type Seal



STANDARD PRODUCTS

Unit No.	Shaft Dia.		Dimensions (in. / mm)															Bearing No.	Housing No.	Weight (lbs.)			
	d (in.)	d (mm)	O	G	P	Q	S	B	k	E	A	W	J	L	R	H	Bi				N	M	
UCT 201		12																			UC 201		
201-8	1/2																				201-8		
202		15	5/8	13/32	2	1 1/4	3/4	2	17/32	3	3 1/2	3 11/16	1 1/4	13/16	1 5/16	2 13/32	1.2205	0.5000	0.7205	202	T 204	1.7	
202-10	5/8		16	10	51	32	19	51	13.5	76.2	89	94	32	21	33	61	31.0	12.7	18.3	202-10			
203		17																		203			
204-12	3/4																			204-12			
204		20																		204			
UCT 205-14	7/8																				UC 205-14		
205-15	15/16		5/8	13/32	2	1 1/4	3/4	2	17/32	3	3 1/2	3 13/16	1 1/4	15/16	1 3/8	2 7/16	1.3386	0.5630	0.7756	205-15	T 205	1.9	
205		25	16	10	51	32	19	51	13.5	76.2	89	97	32	24	35	62	34.0	14.3	19.7	205			
205-16	1																			205-16			
UCT 206-17	1 1/16																				UC 206-17		
206-18	1 1/8		5/8	13/32	2	1 1/4	3/4	2	17/32	3 1/2	4 1/32	4 7/16	1 5/32	1 3/32	1 11/16	2 3/4	1.5000	0.6260	0.8740	206-18	T 206	2.9	
206		30	16	10	56	37	22	57	13.5	88.9	102	113	37	28	43	70	38.1	15.9	22.2	206			
206-19	1 3/16																			206-19			
206-20	1 1/4 S																			206-20			
UCT 207-20	1 1/4																				UC 207-20		
207-21	1 5/16		5/8	1/2	2 17/32	1 15/32	55/64	2 17/32	17/32	3 1/2	4 1/32	5 3/32	1 15/32	1 3/16	2	3 1/16	1.6890	0.6890	1.0000	207-21	T 207	3.5	
207-22	1 3/8		16	13	64	37	22	64	13.5	88.9	102	129	37	30	51	78	42.9	17.5	25.4	207-22			
207		35																		207			
207-23	1 7/16																			207-23			
UCT 208-24	1 1/2																				UC 208-24		
208-25	1 9/16		3/4	5/8	3 3/32	1 15/16	1 9/64	3 3/32	1 1/16	4	4 1/2	5 21/32	1 15/16	1 5/16	2 7/32	3 15/32	1.9370	0.7480	1.1890	208-24	T 208	5.5	
208		40	19	16	83	49	29	83	17.5	101.6	114	144	49	33	56	88	49.2	19.0	30.2	208-25			
UCT 209-26	1 5/8																				UC 209-26		
209-27	1 11/16		3/4	5/8	3 3/32	1 15/16	1 9/64	3 3/32	1 1/16	4	4 19/32	5 21/32	1 15/16	1 3/8	2 1/4	3 7/16	1.9370	0.7480	1.1890	209-27	T 209	5.5	
209-28	1 3/4		19	16	83	49	29	83	17.5	101.6	117	144	49	35	57	87	49.2	19.0	30.2	209-28			
209		45																		209			
UCT 210-30	1 7/8																				UC 210-30		
210-31	1 15/16		3/4	5/8	3 3/32	1 15/16	1 9/64	3 3/8	1 1/16	4	4 19/32	5 7/8	1 15/16	1 15/32	2 5/16	3 17/32	2.0315	0.7480	1.2835	210-31	T 210	5.7	
210		50	19	16	83	49	29	86	17.5	101.6	117	149	49	37	59	90	51.6	19.0	32.6	210			
210-32	2 S																			210-32			
UCT 211-32	2																				UC 211-32		
211-34	2 1/8		1	3/4	4 1/32	2 17/32	1 3/8	3 3/4	1 1/16	5 1/8	5 3/4	6 23/32	2 17/32	1 1/2	2 9/16	4 3/16	2.1890	0.8740	1.3150	211-34	T 211	8.8	
211		55	25	19	102	64	35	95	27	130.2	146	171	64	38	65	106	55.6	22.2	33.4	211			
211-35	2 3/16																			211-35			
UCT 212-36	2 1/4																				UC 212-36		
212		60	1 1/4	3/4	4 1/32	2 17/32	1 3/8	4 1/32	1 1/16	5 1/8	5 3/4	7 5/8	2 17/32	1 21/32	2 15/16	4 11/16	2.5630	1.0000	1.5630	212	T 212	10.6	
212-38	2 3/8		32	19	102	64	35	102	27	130.2	146	194	64	42	75	119	65.1	25.4	39.7	212-38			
212-39	2 1/16																			212-39			
UCT 213-40	2 1/2																				UC 213-40		
213		65	1 1/4	13/16	4 3/8	2 3/4	1 39/64	4 3/4	1 1/16	5 15/16	6 9/16	8 13/16	2 3/4	1 23/32	3 7/16	5 13/32	2.5630	1.0000	1.5630	213	T 213	15.2	
UCT 215-47	2 15/16																				UC 215-47		
215		75	1 1/4	13/16	4 3/8	2 3/4	1 39/64	4 3/4	1 1/16	5 15/16	6 9/16	9 1/8	2 3/4	1 7/8	3 5/8	5 1/2	3.0630	1.3110	1.7520	215	T 215	15.9	
215-48	3		32	21	111	70	41	121	27	150.8	167	232	70	48	92	140	77.8	33.3	44.5	215-48			

Interchange Page 91

NAP Pillow Blocks



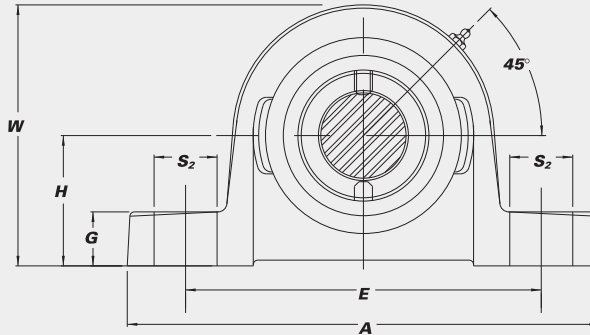
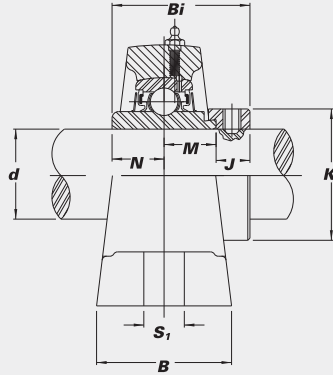
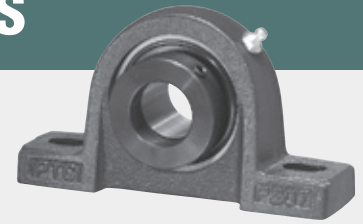
B-type Seal



L3-type Seal

Standard duty. High shaft height with eccentric locking collar.

- Cast iron housing
- B-type or L3-type seals
- Wide inner race bearing



Unit No.	Shaft Dia.		Dimensions (in.) (mm)													Bolt Used (in.)	Bearing No.	Housing No.	Weight (lbs.)	
	d (in.)	d (mm)	H	A	E	B	S ₂	S ₁	G	W	Bi	N	M	J	K					
NAP 201		12																NAW201		
201-8	1/2																	201-8		
202		15	1 3/16	4 7/8	3 5/8	1 7/16	3/4	7/16	1 7/32	2 23/64	1.4685	0.5472	0.5472	0.3740	1.1260	3/8	202	P 203	1.6	
202-10	5/8		30.2	124	92	37	19	11	13	60	37.3	13.9	13.9	9.5	28.6		202-10			
203		17															203			
NAP 204-12	3/4																NA 204-12			
204		20	1 5/16	5	3 3/4	1 1/2	1 1/16	7/16	9/16	2 19/32	1.7126	0.6693	0.6693	0.3740	1.3110	3/8	204	P 204	1.7	
204		33.3	127	95	38	17	11	14	14	66	43.5	17.0	17.0	9.5	33.3					
NAP 205-14	7/8																NA 205-14			
205-15	1 5/16																205-15			
205		25	1 7/16	5 1/2	4 1/8	1 1/2	1 1/16	1/2	5/8	2 27/32	1.7441	0.6850	0.6850	0.3740	1.5000	3/8	205	P 205	2.1	
205-16	1		36.5	140	105	38	17	13	16	72	44.3	17.4	17.4	9.5	38.1		205-16			
NAP 206-17	1 1/16																NA 206-17			
206-18	1 1/8																206-18			
206		30	1 11/16*	6 5/16	4 3/4	1 3/4	1 3/16	9/16	1 1/16	3 19/64	1.9016	0.7165	0.7165	0.4685	1.7520	1/2	206	P 206	3.1	
206-19	1 3/16		42.9	160	121	44	21	14	18	84	48.3	18.2	18.2	11.9	44.5		206-19			
206-20	1 1/4 S																206-20			
NAP 207-20	1 1/4																NA 207-20			
207-21	1 5/16																207-21			
207-22	1 3/8																207-22			
207		35	1 7/8	6 17/32	5	1 29/32	7/8	9/16	3/4	3 11/16	2.0118	0.7402	0.7402	0.5315	2.1890	1/2	207	P 207	4.2	
207-23	1 7/16		47.6	166	127	48	22	14	19	94	51.1	18.8	18.8	13.5	55.6		207-23			
NAP 208-24	1 1/2																NA 208-24			
208-25	1 5/16																208-25			
208		40	1 15/16**	7 1/8	5 7/16	2	7/8	9/16	1 3/16	4	2.2165	0.8425	0.8425	0.5315	2.3740	1/2	208	P 208	5.3	
208		49.2	181	137	51	22	14	21	21	102	56.3	21.4	21.4	13.5	60.3					
NAP 209-26	1 5/8																NA 209-26			
209-27	1 11/16																209-27			
209-28	1 3/4																209-28			
209		45	2 1/8	7 1/2	5 3/4	2 1/8	1 3/16	1 9/32	7/8	4 17/64	2.2165	0.8425	0.8425	0.5315	2.5000	1/2	209	P 209	6.1	
209		54.0	190	146	54	21	15	22	22	109	56.3	21.4	21.4	13.5	63.5					
NAP 210-30	1 7/8																NA 210-30			
210-31	1 15/16																210-31			
210		50	2 1/4	8	6 1/4	2 1/4	1 5/16	2 3/32	1 5/16	4 33/64	2.4685	0.9685	0.9685	0.5315	2.7520	5/8	210	P 210	7.2	
210-32	2 S		57.2	203	159	57	24	18	24	115	62.7	24.6	24.6	13.5	69.9		210-32			
NAP 211-32	2																NA 211-32			
211-34	2 1/8																211-34			
211		55	2 1/2	8 5/8	6 7/8	2 3/8	1 5/16	2 3/32	1 1/16	5 1/32	2.8110	1.0905	1.0905	0.6300	3.0000	5/8	211	P 211	9.4	
211-35	2 3/16		63.5	220	174	60	24	18	27	128	71.4	27.7	27.7	16.0	76.2		211-35			
NAP 212-36	2 1/4																NA 212-36			
212		60	2 3/4	9 17/32	7 11/32	2 1/2	1	2 5/32	1 1/16	5 33/64	3.0630	1.2165	1.2165	0.6300	3.3150	5/8	212	P 212	11.9	
212-38	2 3/8		69.8	242	187	64	25.4	20	27	140	77.8	30.9	30.9	16.0	84.2		212-38			
212-39	2 1/16																212-39			
NAP 213-40	2 1/2																NA 213-40			
213		65	3	10 3/4	8 1/8	2 11/16	1 3/16	1 3/16	1 1/8	6 1/32	3.3740	1.3425	1.3425	0.6890	3.3858	7/8	213	P 213	14.0	
213		76.2	273	206	68	30	20	28	28	153	85.7	34.1	34.1	17.5	86.0					
NAP 215-47	2 15/16																NA 215-47			
215		75	3 1/4	10 13/16	8 1/2	2 15/16	1 1/4	1	1 1/8	6 33/64	3.6260	1.4685	1.4685	0.6890	4.0157	7/8	215	P 215	18.3	
215-48	3		82.6	275	217	75	31	25.4	29	166	92.1	37.3	37.3	17.5	102.0		215-48			

Interchange Page 47 *Also available 1 5/8" **Also available 2 1/8"

STANDARD PRODUCTS

NAPA Tapped Base Pillow Blocks



Standard duty with eccentric locking collar.

- Cast iron housing
- Wide inner race bearing

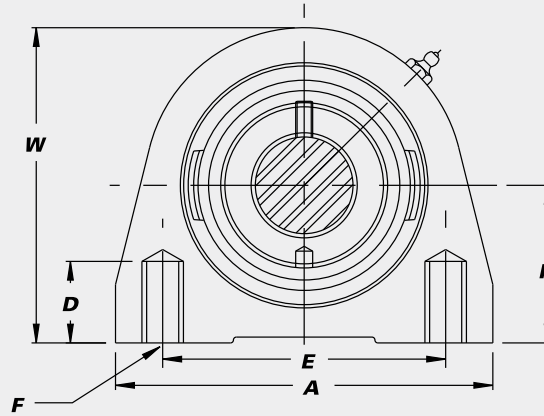
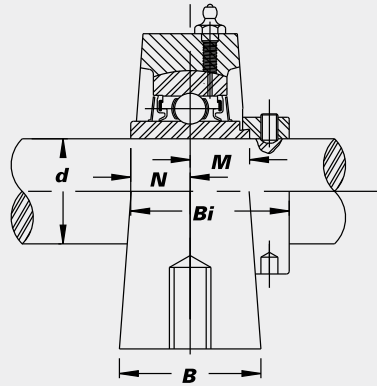
- B-type seals
- L3-type seals available in some sizes



B-type Seal



L3-type Seal

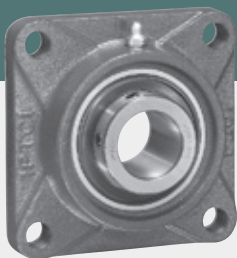


STANDARD PRODUCTS

Unit No.	Shaft Dia.		Dimensions (in.) (mm)										Bearing No.	Housing No.	Weight (lbs.)	
	d (in.)	d (mm)	H	A	E	B	W	F-Tapped Holes	D-Min Tap Depth	M	N	Bi				
NAPA 201-8	1/2													NA 201-8		
202-10	5/8		1 5/16	2 7/8	2	1 1/2	2 9/16	3/8"-16	1/2	0.6693	0.6693	1.7126	202-10			
204-12	3/4		33.3	73	50.8	38	65	UNC	13	17.0	17.0	43.5	204-12	PA 204	1.6	
204		20											204			
NAPA 205-14	7/8												NA 205-14			
205-15	1 1/16		1 7/16	3	2	1 1/2	2 3/16	3/8"-16	1/2	0.6850	0.6850	1.7441	205-15			
205		25	36.5	76	50.8	38	71	UNC	13	17.4	17.4	44.3	205	PA 205	1.7	
205-16	1												205-16			
NAPA 206-17	1 1/16												NA 206-17			
206-18	1 1/8		1 11/16	4	3	1 1/2	3 3/8	7/16"-14	5/8	0.7165	0.7165	1.9016	206-18			
206		30	42.9	102	76.2	38	86	UNC	16	18.2	18.2	48.3	206	PA 206	2.8	
206-19	1 3/16												206-19			
206-20	1 1/4 S												206-20			
NAPA 207-20	1 1/4												NA 207-20			
207-21	1 5/16		1 7/8	4 1/4	3 1/4	1 7/8	3 3/4	1/2"-13	3/4	0.7402	0.7402	2.0118	207-21			
207-22	1 3/8		47.6	108	82.6	48	95	UNC	19	18.8	18.8	51.1	207-22	PA 207	3.9	
207		35											207			
207-23	1 7/16												207-23			
NAPA 208-24	1 1/2		1 15/16	4 5/8	3 1/2	1 7/8	3 15/16	1/2"-13	3/4	0.8425	0.8425	2.2165	NA 208-24			
208-25	1 9/16		49.2	117	88.9	48	100	UNC	19	21.4	21.4	56.3	208-25	PA 208	4.4	
208		40											208			
NAPA 209-26	1 5/8												NA 209-26			
209-27	1 11/16		2 1/8	5	3 3/4	2	4 1/4	1/2"-13	3/4	0.8425	0.8425	2.2165	209-27			
209-28	1 3/4		54.0	127	95.3	51	108	UNC	19	21.4	21.4	56.3	209-28	PA 209	5.4	
209		45											209			
NAPA 210-30	1 7/8												NA 210-30			
210-31	1 15/16		2 1/4	5 1/2	4	2	4 5/8	5/8"-11	7/8	0.9685	0.9685	2.4685	210-31			
210		50	57.2	140	101.6	51	117	UNC	22	24.6	24.6	62.7	210	PA 210	6.3	
210-32	2 S												210-32			

Interchange Page 47

UCF 4-Bolt Flange Units



Standard duty with set screw lock.

- Cast iron housing
- Wide inner race bearing

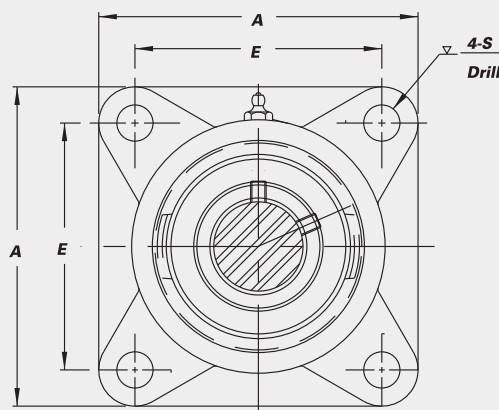
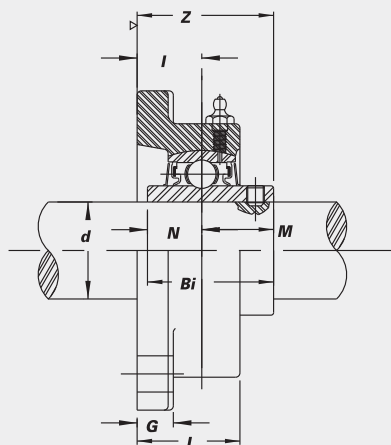
- B-type or L3 type seals
- Available with high temp. bearing - See page 46



B-type Seal



L3-type Seal

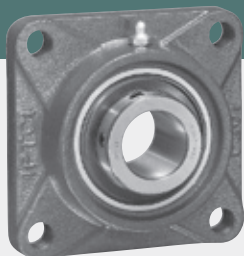


STANDARD PRODUCTS

Unit No.	Shaft Dia.		Dimensions (in.) (mm)									Bolt Used (in.)	Bearing No.	Housing No.	Weight (lbs.)				
	d (in.)	d (mm)	A	E	I	G	L	S	Z	Bi	N					M			
UCF 201		12															UCW 201		
201-8	1/2																		
202		15	3	2 1/8	2 1/32	3/8	1 3/32	7/16	1 9/32	1.0236	0.3937	0.6299	3/8						
202-10	5/8		76	54	16.7	10	28	11	32.7	26.0	10.0	16.0							
203		17																	
UCF 204-12	3/4																		
204		20	3 3/8	2 1/2	1 9/32	7/16	1	7/16	1 5/16	1.2205	0.5000	0.7205	3/8						
UCF 205-14	7/8																		
205-15	1 5/16																		
205		25	3 3/4	2 3/4	5/8	1/2	1 1/16	2 9/64	1 13/32	1.3386	0.5630	0.7756	3/8						
205-16	1		95	70	16	13	27	11.5	35.7	34.0	14.3	19.7							
UCF 206-17	1 1/16																		
206-18	1 1/8																		
206		30	4 1/4	3 1/4	4 5/64	1/2	1 1/32	3 3/64	1 19/32	1.5000	0.6260	0.8740	7/16						
206-19	1 3/16		108	83	18	13	31	13	40.2	38.1	15.9	22.2							
206-20	1 1/4 S																		
UCF 207-20	1 1/4																		
207-21	1 5/16																		
207-22	1 3/8																		
207		35	4 19/32	3 5/8	3/4	1 9/32	1 11/32	3 3/64	1 3/4	1.6890	0.6890	1.0000	7/16						
207-23	1 7/16		117	92	19	15	34	13	44.4	42.9	17.5	25.4							
UCF 208-24	1 1/2																		
208-25	1 9/16																		
208		40	5 1/8	4	5 3/64	1 9/32	1 13/32	3 5/64	2 1/32	1.9370	0.7480	1.1890	1/2						
UCF 209-26	1 5/8																		
209-27	1 11/16																		
209-28	1 3/4																		
209		45	5 13/32	4 1/8	5 5/64	5/8	1 1/2	5/8	2 1/16	1.9370	0.7480	1.1890	9/16						
UCF 210-30	1 7/8																		
210-31	1 15/16																		
210		50	5 5/8	4 3/8	5 5/64	5/8	1 9/16	5/8	2 5/32	2.0315	0.7480	1.2835	9/16						
210-32	2 S		143	111	22	16	40	16	54.6	51.6	19.0	32.6							
UCF 211-32	2																		
211-34	2 1/8																		
211		55	6 1/2	5 1/8	6 3/64	2 3/32	1 11/16	4 9/64	2 5/16	2.1890	0.8740	1.3150	5/8						
211-35	2 1/16		165	130	25	18	43	17	58.4	55.6	22.2	33.4							
UCF 212-36	2 1/4																		
212		60	6 7/8	5 5/8	1 9/64	2 3/32	1 7/8	4 3/64	2 23/32	2.5630	1.0000	1.5630	5/8						
212-38	2 9/8		175	143	29	18	48	17	68.7	65.1	25.4	39.7							
212-39	2 1/16																		
UCF 213-40	2 1/2																		
213		65	7 3/8	5 7/8	1 3/16	7/8	1 31/32	4 3/64	2 3/4	2.5630	1.0000	1.5630	5/8						
UCF 214-43	2 11/16																		
214-44	2 3/4																		
214		70	7 19/32	5 63/64	1 1/32	2 9/32	2 1/8	3/4	2 31/32	2.9370	1.1890	1.7480	1 1/16						
UCF 215-47	2 15/16																		
215		75	7 7/8	*6 1/4	1 11/32	7/8	2 7/32	3/4	3 3/32	3.0630	1.3110	1.7520	1 1/16						
215-48	3		200	159	34	22	56	19	78.5	77.8	33.3	44.5							

*Also available as 6", where Z = 3 3/8" — specify UCNF. Interchange Page 47

UCFX 4-Bolt Flange Units



Medium duty with set screw lock.

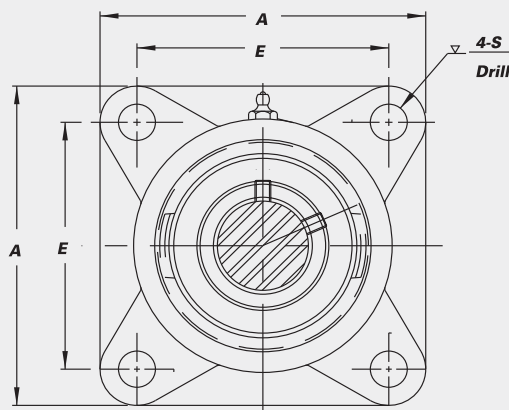
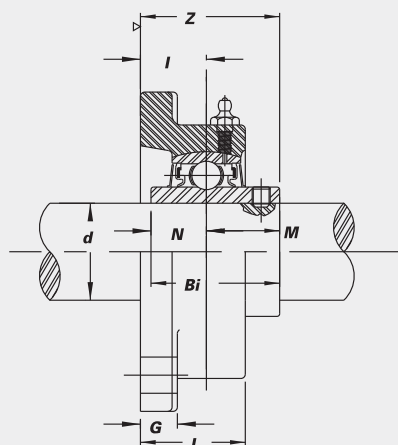
- Wide inner race bearing with greater load carrying capacity than standard duty
- Cast iron housing
- B-type seals
- L3-type seals available in some sizes



B-type Seal



L3-type Seal



STANDARD PRODUCTS

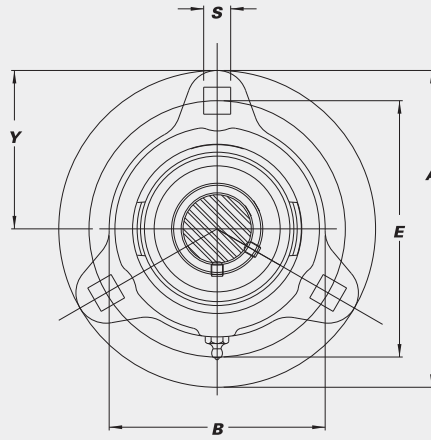
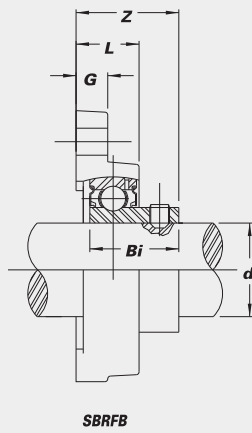
Unit No.	Shaft Dia.		Dimensions (in.) (mm)										Bolt Used (in.)	Bearing No.	Housing No.	Weight (lbs.)
	d (in.)	d (mm)	A	E	I	G	L	S	Z	Bi	N	M				
UCF X05-14 X05-15 X05	7/8 19/16	25	4 1/4 108	3 3/4 83	45/64 18	1/2 13	1 7/32 31	33/64 13	1 19/32 40.2	1.5000 38.1	0.6260 15.9	0.8740 22.2	7/16	UC X05-14 X05-15 X05	F 206	2.6
UCF X05-16	1													X05-16		
UCF X06-18 X06	1 1/8	30	4 19/32 117	3 5/8 92	3/4 19	19/32 15	1 11/32 34	33/64 13	1 3/4 44.4	1.6890 42.9	0.6890 17.5	1.0000 25.4	7/16	UC X06-18 X06	F 207	3.5
UCF X06-19 X06-20	1 3/16 1 1/4													X06-19 207-20		
UCF X07-22 X07	1 3/8	35	5 1/8 130	4 102	53/64 21	19/32 15	1 13/32 36	35/64 14	2 1/32 51.2	1.9370 49.2	0.7480 19.0	1.1890 30.2	1/2	UC X07-22 X07	F 208	4.4
UCF X07-23	1 7/16													X07-23		
UCF X08-24 X08	1 1/2	40	5 13/32 137	4 1/8 105	55/64 22	5/8 16	1 1/2 38	5/8 16	2 1/16 52.2	1.9370 49.2	0.7480 19.0	1.1890 30.2	9/16	UC X08-24 X08	F 209	5.3
UCF X09-26 X09-27 X09-28 X09	1 5/8 1 11/16 1 3/4	45	5 5/8 143	4 3/8 111	55/64 22	5/8 16	1 9/16 40	5/8 16	2 5/32 54.6	2.0315 51.6	0.7480 19.0	1.2835 32.6	9/16	UC X09-26 X09-27 X09-28 X09	F 210	6.2
UCF X10-30 X10-31 X10	1 7/8 1 15/16	50	6 1/2 165	5 1/8 130	63/64 25	23/32 18	1 11/16 43	43/64 17	2 5/16 58.4	2.1890 55.6	0.8740 22.2	1.3150 33.4	5/8	UC X10-30 X10-31 X10	F 211	8.4
UCF X10-32	2													211-32		
UCF X11-34 X11	2 1/8	55	6 7/8 175	5 5/8 143	1 9/64 29	23/32 18	1 7/8 48	43/64 17	2 23/32 68.7	2.5630 65.1	1.0000 25.4	1.5630 39.7	5/8	UC X11-34 X11	F 212	10.8
UCF X11-35 X11-36	2 3/16 2 1/4													X11-35 212-36		
UCF X12 X12-38 X12-39	2 3/8 2 7/16	60	7 3/8 187	5 7/8 149	1 3/16 30	7/8 22	1 31/32 50	43/64 17	2 29/32 73.8	2.5630 65.1	1.0000 25.4	1.5630 39.7	5/8	UC X12 X12-38 X12-39	F 213	12.6
UCF X13-40 X13	2 1/2	65	7 3/8 187	5 7/8 149	1 11/32 34	1 3/16 21	2 5/16 59	2 1/32 17	3 3/32 78.5	2.9370 74.6	1.1890 30.2	1.7480 44.4	9/16	UC X13-40 X13	FX13	14.1
UCF X14-43 X14-44 X14	2 11/16 2 3/4	70	7 3/4 197	6 152	1 5/8 42	7/8 22	2 27/64 61	2 5/32 20	3 13/32 86.5	3.0630 77.8	1.3110 33.3	1.7520 44.5	1 1/16	UC X14-43 X14-44 X14	NF215	15.6
UCF X15-47 X15 X15-48	2 15/16 3	75	7 3/4 197	6 152	1 37/64 40	1 5/16 24	2 11/16 68	2 5/32 20	3 17/32 89.7	3.2520 82.6	1.3110 33.3	1.9410 49.3	1 1/16	UC X15-47 X15 X15-48	FX15	18.5
UCF X17 X17-55 X17-56	3 7/16 3 1/2	85	8 7/16 214	6 3/4 171	1 37/64 40	1 5/16 24	2 3/4 70	2 5/32 20	3 25/32 96.0	3.7795 96.0	1.5630 39.7	2.2165 56.3	1 1/16	UC X17 X17-55 X17-56	FX17	24.0
UCF X20 X20-63 X20-64	3 15/16 4	100	10 9/16 268	8 5/16 211	2 21/64 59	1 3/32 28	3 13/16 97	1 7/32 31	5 127	4.6260 117.5	1.9370 49.2	2.6890 68.3	1	UC X20 X20-63 X20-64	FX20	42.5

Interchange Page 47

SBRFB & SARFB 3-Bolt Flange Units



- Ductile iron housing
- K-type seals
- Narrow inner race bearing



SBRFB Set screw type

Unit No.	Shaft Dia.		Dimensions (in.) (mm)									Bolt Used (in)	Bearing No.	Housing No.	Weight (lbs.)
	d (in.)	d (mm)	A	E	G	B	L	S	Z	Bi	Y				
SBRFB 204-12 204	3/4	20	39/16	213/16	7/16	25/8	25/32	11/32	15/32	0.9843	125/32	5/16	SB 204-12G 204G	RFB 204	.8
SBRFB 205-14 205	7/8	25	33/4	3	7/16	27/8	25/32	11/32	17/32	1.0630	17/8	5/16	SB 205-14G 205G	RFB 205	.9
SBRFB 205-15 205-16	15/16	1	95	76.2	11	73	20	9	31.0	27.0	48	5/16	SB 205-15G 205-16G	RFB 205	.9
SBRFB 206-17 206-18	11/16	30	47/16	39/16	15/32	3	57/64	13/32	15/16	1.1811	27/32	3/8	SB 206-17G 206-18G	RFB 206	1.2
206-19	13/16												206-19G		
206-20	11/4S												206-20G		
SBRFB 207-20 207-21	11/4	35	413/16	315/16	1/2	31/2	15/16	13/32	17/16	1.2992	213/32	3/8	SB 207-20G 207-21G	RFB 207	1.7
207-22	13/8												207-22G		
207	13/8												207G		
207-23	17/16												207-23G		

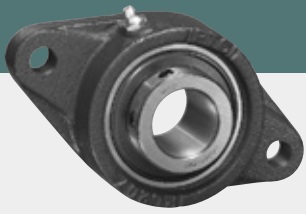
SARFB Eccentric locking collar type

Unit No.	Shaft Dia.		Dimensions (in.) (mm)									Bolt Used (in)	Bearing No.	Housing No.	Weight (lbs.)
	d (in.)	d (mm)	A	E	G	B	L	S	Z	Bi	Y				
SARFB 204-12 204	3/4	20	39/16	213/16	7/16	25/8	25/32	11/32	15/16	1.2205	125/32	5/16	SA 204-12G 204G	RFB 204	.9
SARFB 205-14 205	7/8	25	33/4	3	7/16	27/8	25/32	11/32	13/8	1.2205	17/8	5/16	SA 205-14G 205G	RFB 205	1.0
SARFB 205-15 205-16	15/16	1	95	76.2	11	73	20	9	34.9	31.0	48	5/16	SA 205-15G 205-16G	RFB 205	1.0
SARFB 206-17 206-18	11/16	30	47/16	39/16	15/32	3	57/64	13/32	117/32	1.4055	27/32	3/8	SA 206-17G 206-18G	RFB 206	1.3
206	13/16												206G		
206-19	11/4S												206-19G		
SARFB 207-20 207-21	11/4	35	413/16	315/16	1/2	31/2	15/16	13/32	121/32	1.5315	213/32	3/8	SA 207-20G 207-21G	RFB 207	2.0
207-22	13/8												207-22G		
207	13/8												207G		
207-23	17/16												207-23G		

Interchange Page 47

STANDARD PRODUCTS

UCFL 2-Bolt Flange Units



Standard duty with set screw lock.

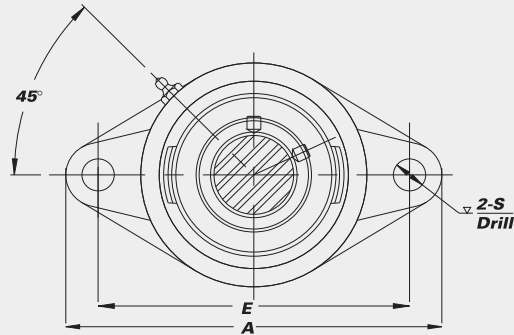
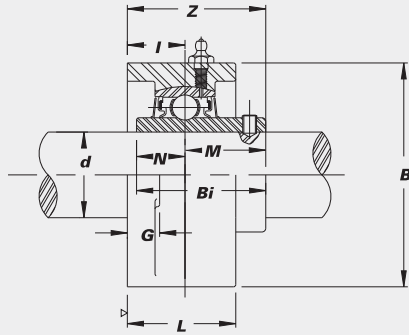
- Cast iron housing
- Wide inner race bearing
- B-type or L3-type seals
- Available with high temp. bearing - See page 46



B-type Seal



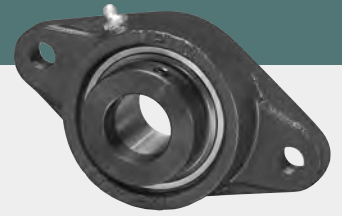
L3-type Seal



Unit No.	Shaft Dia.		Dimensions (in. (mm))										Bolt Used (in.)	Bearing No.	Housing No.	Weight (lbs.)		
	d (in.)	d (mm)	A	E	I	G	L	S	B	Z	Bi	N					M	
UCFL 201		12														UCW 201		
201-8	1/2															201-8		
202		15	4 ¹³ / ₃₂	3	4 ⁹ / ₆₄	7/16	3 ¹ / ₃₂	2 ⁵ / ₆₄	2 ³ / ₈	1 ⁵ / ₁₆	1.0236	0.3937	0.6299	5/16	202	FT 203	0.9	
202-10	5/8		112	76.2	17	11	25	10	60	33.3	26.0	10.0	16.0		202-10			
203		17													203			
UCFL 204-12	3/4		4 ⁷ / ₁₆	3 ¹⁷ / ₃₂	1 ⁹ / ₃₂	7/16	1	2 ⁵ / ₆₄	2 ³ / ₈	1 ⁵ / ₁₆	1.2205	0.5000	0.7205	5/16	UC 204-12	FL 204	1.0	
204		20	113	89.7	15	11	25	10	60	33.3	31.0	12.7	18.3		204			
UCFL 205-14	7/8														UC 205-14			
205-15	1 ⁵ / ₁₆														205-15	FL 205	1.5	
205		25	130	98.8	16	13	27	11.9	68	37.3	34.0	14.3	19.7	3/8	205			
205-16	1														205-16			
UCFL 206-17	1 ¹ / ₁₆														UC 206-17			
206-18	1 ¹ / ₈														206-18	FL 206	2.2	
206		30	5 ¹³ / ₁₆	4 ¹⁹ / ₃₂	4 ⁵ / ₆₄	1/2	1 ⁷ / ₃₂	1 ⁵ / ₃₂	3 ⁵ / ₃₂	1 ¹⁹ / ₃₂	1.5000	0.6260	0.8740	3/8	206			
206-19	1 ³ / ₁₆		148	116.7	18	13	31	11.9	80	40.5	38.1	15.9	22.2		206-19			
206-20	1 ¹ / ₄ S														206-20			
UCFL 207-20	1 ¹ / ₄														UC 207-20			
207-21	1 ⁵ / ₁₆														207-21	FL 207	2.9	
207-22	1 ³ / ₈		6 ¹¹ / ₃₂	5 ¹ / ₈	3/4	9/16	1 ¹¹ / ₃₂	3 ³ / ₆₄	3 ¹⁷ / ₃₂	1 ³ / ₄	1.6890	0.6890	1.0000	7/16	207-22			
207		35	161	130.2	19	14	34	13	90	44.5	42.9	17.5	25.4		207			
207-23	1 ⁷ / ₁₆														207-23			
UCFL 208-24	1 ¹ / ₂														UC 208-24			
208-25	1 ⁹ / ₁₆														208-25	FL 208	3.5	
208		40	175	143.7	21	14	36	13	100	50.8	49.2	19.0	30.2	7/16	208			
UCFL 209-26	1 ⁵ / ₈														UC 209-26			
209-27	1 ¹¹ / ₁₆														209-27	FL 209	4.4	
209-28	1 ³ / ₄														209-28			
209		45	188	148.4	22	15	38	15	108	52.4	49.2	19.0	30.2	1/2	209			
UCFL 210-30	1 ⁷ / ₈														UC 210-30			
210-31	1 ¹⁵ / ₁₆														210-31	FL 210	5.1	
210		50	197	157	22	15	40	16	115	54.8	51.6	19.0	32.6	1/2	210			
210-32	2S														210-32			
UCFL 211-32	2														UC 211-32			
211-34	2 ¹ / ₈														211-34	FL 211	7.3	
211		55	224	184	25	18	43	16.3	130	58.7	55.6	22.2	33.4	9/16	211			
211-35	2 ¹ / ₁₆														211-35			
UCFL 212-36	2 ¹ / ₄														UC 212-36			
212		60	9 ²⁷ / ₃₂	7 ¹⁵ / ₁₆	1 ⁹ / ₆₄	2 ³ / ₃₂	1 ⁷ / ₈	4 ¹ / ₆₄	5 ¹ / ₂	2 ²³ / ₃₂	2.5630	1.0000	1.5630	9/16	212	FL 212	9.5	
212-38	2 ³ / ₈		250	201.6	29	18	48	16.3	140	69.1	65.1	25.4	39.7		212-38			
212-39	2 ¹ / ₁₆														212-39			

Interchange Page 47

NANFL 2-Bolt Flange Units



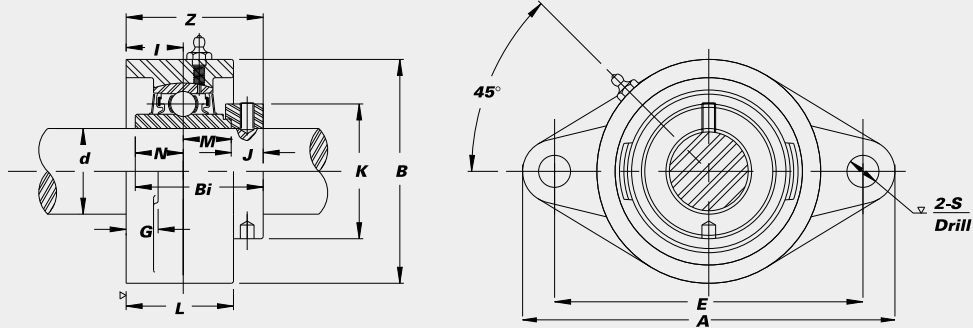
B-type Seal



L3-type Seal

Standard duty with eccentric locking collar.

- Cast iron housing
- B-type or L3-type seals
- Wide inner race bearing



Unit No.	Shaft Dia.		Dimensions (in.) (mm)													Bolt Used (in.)	Bearing No.	Housing No.	Weight (lbs.)		
	d (in.)	d (mm)	A	E	I	G	L	S	B	Z	Bi	N	M	J	K						
NANFL 201		12																NAW201			
201-8	1/2																	201-8			
202		15	4 ¹³ / ₃₂	3	4 ³ / ₆₄	7 ¹ / ₁₆	3 ¹ / ₃₂	2 ⁵ / ₆₄	2 ³ / ₈	1 ¹⁹ / ₃₂	1.4685	0.5472	0.5472	0.3740	1.1260	5 ¹ / ₁₆	202	FT 203		1.2	
202-10	5/8		112	76.2	17	11	25	10	60	40.5	37.3	13.9	13.9	9.5	28.6		202-10				
203		17															203				
NANFL 204-12	3/4		4 ⁷ / ₁₆	3 ¹⁷ / ₃₂	3/4	7 ¹ / ₁₆	1 ⁵ / ₃₂	2 ⁵ / ₆₄	2 ⁹ / ₈	1 ²⁵ / ₃₂	1.7126	0.6693	0.6693	0.3740	1.3110	5 ¹ / ₁₆	NA 204-12	NFL 204		1.3	
204		20	113	89.7	19	11	29.5	10	60	45.5	43.5	17.0	17.0	9.5	33.3		204				
NANFL 205-14	7/8																NA 205-14				
205-15	1 ⁵ / ₁₆																205-15	NFL 205		2.0	
205		25	5 ¹ / ₈	3 ⁵⁷ / ₆₄	2 ⁵ / ₃₂	1/2	1 ¹ / ₃₂	1 ⁵ / ₃₂	2 ¹¹ / ₁₆	1 ²⁷ / ₃₂	1.7441	0.6850	0.6850	0.3740	1.5000	3 ¹ / ₈	205				
205-16	1		130	98.8	20	13	31	11.9	68	46.7	44.3	17.4	17.4	9.5	38.1		205-16				
NANFL 206-17	1 ¹ / ₁₆																NA 206-17				
206-18	1 ¹ / ₈																206-18	NFL 206		2.5	
206		30	5 ¹³ / ₃₂	4 ¹⁹ / ₃₂	5 ³ / ₆₄	1/2	1 ¹¹ / ₃₂	1 ⁵ / ₃₂	3 ⁵ / ₃₂	2	1.9016	0.7165	0.7165	0.4685	1.7520	3 ¹ / ₈	206				
206-19	1 ³ / ₁₆		148	116.7	21	13	34	11.9	80	51.1	48.3	18.2	18.2	11.9	44.5		206-19				
206-20	1 ¹ / ₄ S																206-20				
NANFL 207-20	1 ¹ / ₄																NA 207-20				
207-21	1 ⁵ / ₁₆																207-21	NFL 207		3.5	
207-22	1 ³ / ₈																207-22				
207		35	6 ¹¹ / ₃₂	5 ¹ / ₈	2 ⁷ / ₃₂	9 ¹ / ₁₆	1 ¹ / ₁₆	3 ³ / ₆₄	3 ¹⁷ / ₃₂	2 ¹ / ₈	2.0118	0.7402	0.7402	0.5315	2.1890	7 ¹ / ₁₆	207				
207-23	1 ⁷ / ₁₆		161	130.2	21.5	14	36.5	13	90	53.8	51.1	18.8	18.8	13.5	55.6		207-23				
NANFL 208-24	1 ¹ / ₂																NA 208-24				
208-25	1 ⁹ / ₁₆																208-25	NFL 208		4.5	
208		40	6 ⁷ / ₈	5 ²¹ / ₃₂	1 ⁵ / ₁₆	9 ¹ / ₁₆	1 ¹⁷ / ₃₂	3 ³ / ₆₄	3 ¹⁵ / ₁₆	2 ⁵ / ₁₆	2.2165	0.8425	0.8425	0.5315	2.3740	7 ¹ / ₁₆	208				
NANFL 209-26	1 ⁵ / ₈																NA 209-26				
209-27	1 ¹¹ / ₁₆																209-27	NFL 209		5.2	
209-28	1 ³ / ₄																209-28				
209		45	7 ¹³ / ₃₂	5 ²⁷ / ₃₂	1 ⁵ / ₁₆	9 ¹ / ₁₆	1 ⁹ / ₁₆	1 ⁹ / ₃₂	4 ¹ / ₄	2 ⁵ / ₁₆	2.2165	0.8425	0.8425	0.5315	2.5000	1/2	209				
NANFL 210-30	1 ⁷ / ₈																NA 210-30				
210-31	1 ¹⁵ / ₁₆																210-31	NFL 210		6.1	
210		50	7 ³ / ₄	6 ³ / ₁₆	1 ¹ / ₈	9 ¹ / ₁₆	1 ²⁷ / ₃₂	1 ⁹ / ₃₂	4 ¹⁷ / ₃₂	2 ⁵ / ₈	2.4685	0.9685	0.9685	0.5315	2.7520	1/2	210				
210-32	2S		197	157	28.5	14	46.5	15	115	66.6	62.7	24.6	24.6	13.5	69.9		210-32				
NANFL 211-32	2																NA 211-32				
211-34	2 ¹ / ₈																211-34	NFL 211		9.2	
211		55	8 ¹³ / ₁₆	7 ¹ / ₄	1 ¹⁷ / ₆₄	1 ³ / ₁₆	1 ³ / ₃₂	4 ¹ / ₆₄	5 ¹ / ₈	2 ³¹ / ₃₂	2.8110	1.0906	1.0906	0.6299	3.0000	9 ¹ / ₁₆	211				
211-35	2 ³ / ₁₆		224	184	32	20	50	16.3	130	75.7	71.4	27.7	27.7	16.0	76.2		211-35				
NANFL 212-36	2 ¹ / ₄																NA 212-36				
212		60	9 ²⁷ / ₃₂	7 ¹⁵ / ₁₆	1 ²⁷ / ₆₄	1 ³ / ₁₆	2 ⁵ / ₃₂	4 ¹ / ₆₄	5 ¹ / ₂	3 ¹ / ₄	3.0630	1.2165	1.2165	0.6299	3.3150	9 ¹ / ₁₆	212	NFL 212		11.1	
212-38	2 ³ / ₈		250	202	36	20	55	16.3	140	82.9	77.8	30.9	30.9	16.0	84.2		212-38				
212-39	2 ⁷ / ₁₆																212-39				

Interchange Page 47

SBLF H4 & SALF H4 Flange Units

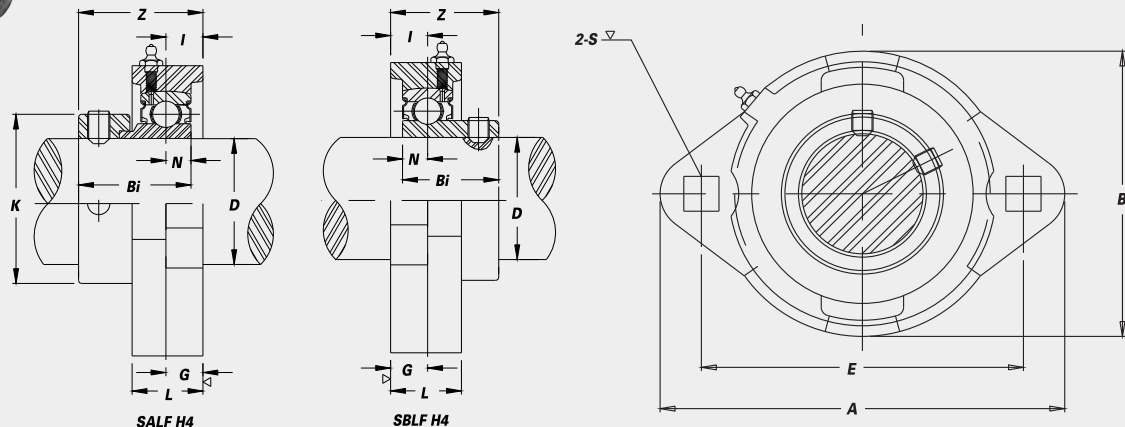


- Ductile iron housing
- Square bolt holes
- K-type seals

- Narrow inner race bearing
- Also available non-relubricatable — please specify



K-type Seal



SBLF H4 Set screw type

Unit No.	Shaft Dia.		Dimensions (in.) (mm)										Bolt Used (in.)	Bearing No.	Housing No.	Weight (lbs.)
	d (in.)	d (mm)	A	E	I	G	L	S	B	Z	Bi	N				
SBLF 201-8GH4	1/2	15	3 ³ / ₁₆	2 1/2	3/8	3/8	2 ³ / ₃₂	5/16	2 ⁷ / ₃₂	1	0.8661	0.2362	1/4	SB 201-8G	LF 203 H4	0.6
202GH4	5/8	81	63.5	10	10	18	8	56	25.4	22.0	6.0	202G				
202-10GH4	5/8	17										202-10G				
SBLF 204-12GH4	3/4	20	3 ¹⁷ / ₃₂	2 ¹³ / ₁₆	7/16	7/16	2 ⁵ / ₃₂	2 ⁵ / ₆₄	2 ¹³ / ₃₂	1 ⁵ / ₃₂	0.9843	0.2756	5/16	SB 204-12G	LF 204 H4	0.7
204GH4	3/4	90	71.5	11	11	20	10	61	29.0	25.0	7.0		204G			
SBLF 205-14GH4	7/8	25	3 ³ / ₄	2 ⁶³ / ₆₄	7/16	7/16	2 ⁵ / ₃₂	2 ⁵ / ₆₄	2 ¹⁷ / ₃₂	1 ³ / ₁₆	1.0630	0.2953	5/16	SB 205-14G	LF 205 H4	0.9
205GH4	7/8	95	76.0	11	11	20	10	64	30.5	27.0	7.5		205G			
205-15GH4	15/16	1											205-15G			
SBLF 206-17GH4	1 ¹ / ₁₆	30	4 ⁷ / ₁₆	3 ⁹ / ₁₆	1 ⁵ / ₃₂	1 ⁵ / ₃₂	7/8	1 ⁵ / ₃₂	3	1 ¹¹ / ₃₂	1.1811	0.3150	3/8	SB 206-17G	LF 206 H4	1.2
206-18GH4	1 ¹ / ₈		113	90.5	12	12	23	12	76	34.0	30.0	8.0		206-18G		
206GH4	1 ¹ / ₈													206G		
206-19GH4	1 ³ / ₁₆													206-19G		
SBLF 207-20GH4	1 ¹ / ₄	35	4 ¹³ / ₁₆	3 ¹⁵ / ₁₆	3 ³ / ₆₄	3 ³ / ₆₄	1 ⁵ / ₁₆	1 ⁵ / ₃₂	3 ¹ / ₂	1 ⁷ / ₁₆	1.2992	0.3740	3/8	SB 207-20G	LF 207 H4	1.7
207-21GH4	1 ⁵ / ₁₆		122	100.0	13	13	24	12	89	36.5	33.0	9.5		207-21G		
207-22GH4	1 ⁵ / ₈													207-22G		
207GH4	1 ⁵ / ₈													207G		
207-23GH4	1 ⁷ / ₁₆													207-23G		

SALF H4 Eccentric locking collar type

Unit No.	Shaft Dia.		Dimensions (in.) (mm)										Bolt Used (in.)	Bearing No.	Housing No.	Weight (lbs.)	
	d (in.)	d (mm)	A	E	I	G	L	S	B	Z	Bi	N					K
SALF 201-8GH4	1/2	15	3 ³ / ₁₆	2 1/2	3/8	3/8	2 ³ / ₃₂	5/16	2 ⁷ / ₃₂	1 1/4	1.1260	0.2362	1 1/8	1/4	SA 201-8G	LF 203 H4	0.7
202GH4	5/8	81	63.5	10	10	18	8	56	31.8	28.6	6.0	29		202G			
202-10GH4	5/8	17												202-10G			
SALF 204-12GH4	3/4	20	3 ¹⁷ / ₃₂	2 ¹³ / ₁₆	7/16	7/16	2 ⁵ / ₃₂	2 ⁵ / ₆₄	2 ¹³ / ₃₂	1 ²³ / ₆₄	1.2205	0.2953	1 ⁵ / ₁₆	5/16	SA 204-12G	LF 204 H4	0.8
204GH4	3/4	90	71.5	11	11	20	10	61	34.4	31.0	7.5	33		204G			
SALF 205-14GH4	7/8	25	3 ³ / ₄	2 ⁶³ / ₆₄	7/16	7/16	2 ⁵ / ₃₂	2 ⁵ / ₆₄	2 ¹⁷ / ₃₂	1 ²³ / ₆₄	1.2205	0.2953	1 1/2	5/16	SA 205-14G	LF 205 H4	1.0
205GH4	7/8	95	76.0	11	11	20	10	64	34.4	31.0	7.5	38		205G			
205-15GH4	15/16	1												205-15G			
SALF 206-17GH4	1 ¹ / ₁₆	30	4 ⁷ / ₁₆	3 ⁹ / ₁₆	1 ⁵ / ₃₂	1 ⁵ / ₃₂	7/8	1 ⁵ / ₃₂	3	1 ¹⁷ / ₃₂	1.4055	0.3543	1 ³ / ₄	3/8	SA 206-17G	LF 206 H4	1.4
206-18GH4	1 ¹ / ₈		113	90.5	12	12	23	12	76	38.9	35.7	9.0	45		206-18G		
206GH4	1 ¹ / ₈														206G		
206-19GH4	1 ³ / ₁₆														206-19G		
SALF 207-20GH4	1 ¹ / ₄	35	4 ¹³ / ₁₆	3 ¹⁵ / ₁₆	3 ³ / ₆₄	3 ³ / ₆₄	1 ⁵ / ₁₆	1 ⁵ / ₃₂	3 ¹ / ₂	1 ¹¹ / ₁₆	1.5315	0.3740	2 ³ / ₁₆	3/8	SA 207-20G	LF 207 H4	2.0
207-21GH4	1 ⁵ / ₁₆		122	100.0	13	13	24	12	89	42.7	38.9	9.5	60		207-21G		
207-22GH4	1 ⁵ / ₈														207-22G		
207GH4	1 ⁵ / ₈														207G		
207-23GH4	1 ⁷ / ₁₆														207-23G		

G=Relubricatable Specify "N" for non-relubricatable units Interchange Page 47

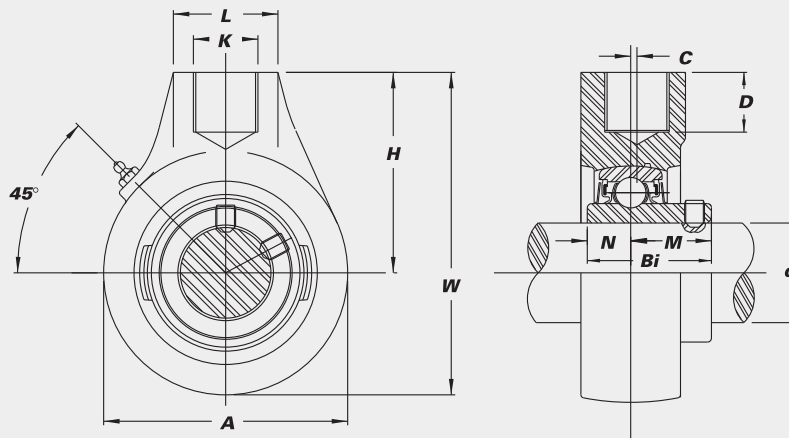
STANDARD PRODUCTS

UCHA Hanger Units



Standard duty with set screw lock.

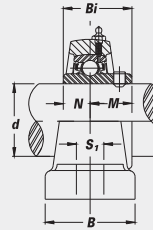
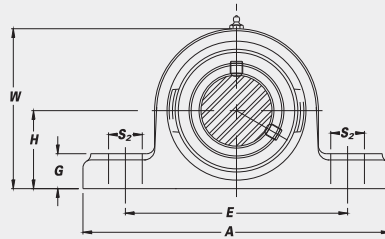
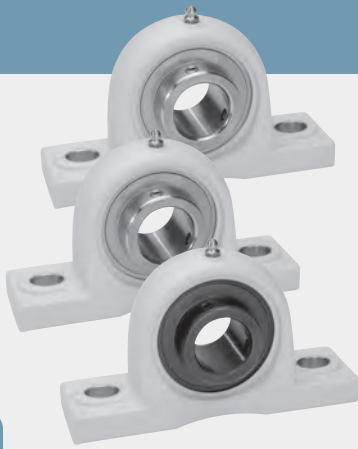
- Cast iron housing
- Wide inner race bearing
- Available with eccentric locking collar bearing
- B-type seals
- L3-type seals available in some sizes



Unit No.	Shaft Dia.		Dimensions (in.) (mm)										Bearing No.	Housing No.	Weight (lbs.)		
	d (in.)	d (mm)	A	W	C	H	L	D	K	Bi	N	M					
UCHA 201		12													UC 201		
201-8	1/2														201-8		
202		15													202		
202-10	5/8		2 ³³ / ₆₄	3 ²⁵ / ₃₂	0	2 ³³ / ₆₄	1 ⁹ / ₁₆	3/4	PF 3/4	1.2205	0.5000	0.7205		202-10	HA 204	1.7	
203		17	64	96		64	40	19.1	-14	31.0	12.7	18.3		203			
204-12	3/4													204-12			
204		20												204			
UCHA 205-14	7/8													UC 205-14			
205-15	1 ⁵ / ₁₆		3 ¹ / ₁₆	4 ¹ / ₁₆	0	2 ³³ / ₆₄	1 ⁹ / ₁₆	3/4	PF 3/4	1.3386	0.5630	0.7756		205-15	HA 205	1.9	
205		25	78	103		64	40	19.1	-14	34.0	14.3	19.7		205			
205-16	1													205-16			
UCHA 206-17	1 ¹ / ₁₆													UC 206-17			
206-18	1 ¹ / ₈		3 ⁵ / ₃₂	4 ³ / ₃₂	0	2 ³³ / ₆₄	1 ⁹ / ₁₆	3/4	PF 3/4	1.5000	0.6260	0.8740		206-18	HA 206	1.9	
206		30	80	104		64	40	19.1	-14	38.1	15.9	22.2		206			
206-19	1 ³ / ₁₆													206-19			
206-20	1 ¹ / ₄ S													206-20			
UCHA 207-20	1 ¹ / ₄													UC 207-20			
207-21	1 ⁵ / ₁₆		3 ⁵ / ₈	4 ⁹ / ₁₆	0	2 ³ / ₄	1 ⁹ / ₁₆	3/4	PF 3/4	1.6890	0.6890	1.0000		207-21	HA 207	2.6	
207-22	1 ³ / ₈		92	116		70	40	19.1	-14	42.9	17.5	25.4		207-22			
207		35												207			
207-23	1 ⁷ / ₁₆													207-23			
UCHA 208-24	1 ¹ / ₂													UC 208-24			
208-25	1 ⁹ / ₁₆		3 ¹⁵ / ₁₆	4 ²⁷ / ₃₂	5/64	2 ⁷ / ₈	1 ⁹ / ₁₆	3/4	PF 3/4	1.9370	0.7480	1.1890		208-25	HA 208	3.4	
208		40	100	123	2	73	40	19.1	-14	49.2	19.0	30.2		208			
UCHA 209-26	1 ⁵ / ₈													UC 209-26			
209-27	1 ¹¹ / ₁₆		4 ¹ / ₄	5 ¹ / ₃₂	1 ³ / ₆₄	3 ¹⁵ / ₆₄	1 ⁷ / ₈	1 ³ / ₁₆	PF 1	1.9370	0.7480	1.1890		209-27	HA 209	3.9	
209-28	1 ³ / ₄		108	136	5	82	48	21	-11 ¹ / ₂	49.2	19.0	30.2		209-28			
209		45												209			
UCHA 210-30	1 ⁷ / ₈													UC 210-30			
210-31	1 ¹⁵ / ₁₆		4 ² / ₃₂	5 ¹⁹ / ₃₂	1 ³ / ₆₄	3 ¹⁷ / ₆₄	1 ⁷ / ₈	1 ³ / ₁₆	PF 1	2.0315	0.7480	1.2835		210-31	HA 210	4.6	
210		50	118	142	5	83	48	21	-11 ¹ / ₂	51.6	19.0	32.6		210			
210-32	2S													210-32			
UCHA 211-34	2 ¹ / ₈													UC X11-34			
211		55	5 ¹⁹ / ₃₂	6 ¹³ / ₁₆	2 ³ / ₆₄	4 ¹ / ₆₄	2 ³ / ₈	1 ³ / ₃₂	PF 1 ¹ / ₄	2.5630	1.0000	1.5630		X11	HA 212	8.5	
211-35	2 ³ / ₁₆		142	173	9	102	60	28	-11 ¹ / ₂	65.1	25.4	39.7		X11-35			
UCHA 212-36	2 ¹ / ₄													UC 212-36			
212		60	5 ¹⁹ / ₃₂	6 ¹³ / ₁₆	2 ³ / ₆₄	4 ¹ / ₆₄	2 ³ / ₈	1 ³ / ₃₂	PF 1 ¹ / ₄	2.5630	1.0000	1.5630		212	HA 212	8.2	
212-38	2 ³ / ₈		142	173	9	102	60	28	-11 ¹ / ₂	65.1	25.4	39.7		212-38			
212-39	2 ¹ / ₁₆													212-39			
UCHA 214-43	2 ¹¹ / ₁₆													UC X14-43			
214		70	6 ¹⁷ / ₃₂	7 ⁷ / ₈	3/8	4 ³⁹ / ₆₄	2 ³ / ₄	1 ¹ / ₄	PF 1 ¹ / ₂	3.0630	1.3110	1.7520		X14	HA 215	13.2	
			166	200	9.5	117	70	32	-11 ¹ / ₂	77.8	33.3	44.5					
UCHA 215-47	2 ¹⁵ / ₁₆													UC 215-47			
215		75	6 ¹⁷ / ₃₂	7 ⁷ / ₈	3/8	4 ³⁹ / ₆₄	2 ³ / ₄	1 ¹ / ₄	PF 1 ¹ / ₂	3.0630	1.3110	1.7520		215	HA 215	12.2	
215-48	3		166	200	9.5	117	70	32	-11 ¹ / ₂	77.8	33.3	44.5		215-48			

Interchange Page 47

Thermoplastic Pillow Blocks



With Set Screw Lock
Optional bearing inserts:
Stainless Steel-SUCTP
Hard Chrome Coated-CUCTP
Black Oxide-BUCTP

• End Caps Available for all styles.

B-type seal available in all styles and sizes.

L3-type seal available in SUC units only. Limited sizes. Consult IPTCI for speed limitations.

CORROSION RESISTANT

Unit No.	Shaft Dia.		Dimensions (in.) (mm)										Bolt Used (in.)	Bearing No.	Housing No.	Weight (lbs.)
	d (in.)	d (mm)	H	A	E	B	S ₂	S ₁	W	B _G	N	M				

SUCTP with Stainless Steel Bearing Inserts

SUCTP 201-8	1/2														SUC 201-8		
202-10	5/8														202-10		
204-12	3/4	20	33.3	127	95	38	14	11	14	66	31.0	12.7	18.3	3/8	204-12	TP 204	.8
204															204		
SUCTP 205-14	7/8	25	36.5	140	105	38	14	11	14	71	34.0	14.3	19.7	3/8	SUC 205-14	TP 205	.8
205															205		
205-16	1														205-16		
SUCTP 206-18	1 1/8	30	42.9	163	119	46	18	14	18	84	38.1	15.9	22.2	1/2	SUC 206-18	TP 206	1.2
206															206		
206-19	1 3/16														206-19		
206-20	1 1/4 S														206-20		
SUCTP 207-20	1 1/4	35	47.6	168	127	48	18	14	18	94	42.9	17.5	25.4	1/2	SUC 207-20	TP 207	1.7
207-21	1 5/16														207-21		
207-22	1 3/8														207-22		
207															207		
207-23	1 7/16														207-23		
SUCTP 208-24	1 1/2	40	49.2	184	137	54	18	14	20	99	49.2	19.0	30.2	1/2	SUC 208-24	TP 208	2.2
208															208		

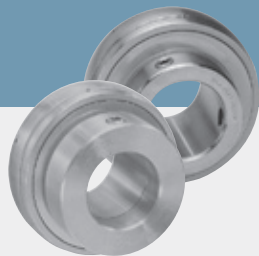
CUCTP with Hard Chrome Coated Bearing Inserts

CUCTP 204-12	3/4	20	33.3	127	95	38	14	11	14	66	31.0	12.7	18.3	3/8	CUC 204-12	TP 204	.8
204															204		
CUCTP 205-14	7/8	25	36.5	140	105	38	14	11	14	71	34.0	14.3	19.7	3/8	CUC 205-14	TP 205	.8
205															205		
205-16	1														205-16		
CUCTP 206-18	1 1/8	30	42.9	163	119	46	18	14	18	84	38.1	15.9	22.2	1/2	CUC 206-18	TP 206	1.2
206															206		
206-19	1 3/16														206-19		
206-20	1 1/4 S														206-20		
CUCTP 207-20	1 1/4	35	47.6	168	127	48	18	14	18	94	42.9	17.5	25.4	1/2	CUC 207-20	TP 207	1.7
207-22	1 3/8														207-22		
207															207		
207-23	1 7/16														207-23		
CUCTP 208-24	1 1/2	40	49.2	184	137	54	18	14	20	99	49.2	19.0	30.2	1/2	CUC 208-24	TP 208	2.2
208															208		

BUCTP with Black Oxide Bearing Inserts

BUCTP 201-8	1/2														BUC 201-8		
202-10	5/8														202-10		
204-12	3/4	20	33.3	127	95	38	14	11	14	66	31.0	12.7	18.3	3/8	204-12	TP 204	.8
204															204		
BUCTP 205-14	7/8	25	36.5	140	105	38	14	11	14	71	34.0	14.3	19.7	3/8	BUC 205-14	TP 205	.8
205															205		
205-16	1														205-16		
BUCTP 206-18	1 1/8	30	42.9	163	119	46	18	14	18	84	38.1	15.9	22.2	1/2	BUC 206-18	TP 206	1.2
206															206		
206-19	1 3/16														206-19		
206-20	1 1/4 S														206-20		
BUCTP 207-20	1 1/4	35	47.6	168	127	48	18	14	18	94	42.9	17.5	25.4	1/2	BUC 207-20	TP 207	1.7
207-22	1 3/8														207-22		
207															207		
207-23	1 7/16														207-23		
BUCTP 208-24	1 1/2	40	49.2	184	137	54	18	14	20	99	49.2	19.0	30.2	1/2	BUC 208-24	TP 208	2.2
208															208		

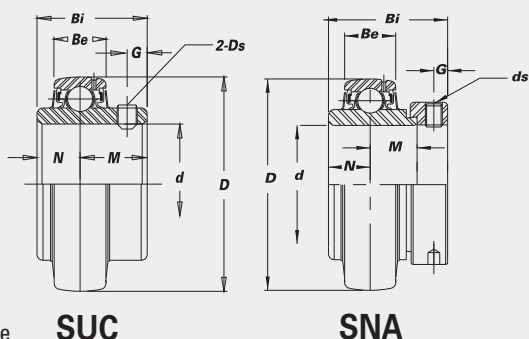
Stainless Steel Bearing Inserts



B-type seal available in all styles and sizes.



L3-type seal available in SUC units only. Limited sizes. Consult IPTCI for speed limitations.



SUC Set Screw Lock	
SNA with Eccentric Locking Collar	
Balls & Rings	440 Stainless Steel
Seal	Silicone Rubber
Seal Frame & Slinger	302 Stainless Steel
Retainer	302 Stainless Steel
Set Screws	410 Stainless Steel
Locking Collar (SNA only)	304 Stainless Steel
Lubrication	H-1 Food Grade Grease

Bearing No.	Bore Dia. of Bearing		Dimensions (in. (mm))							Basic Load Rating (lbs.)	Basic Static Load Rating (lbs.)	Weight (lbs.)
	<i>d</i>	<i>d</i>	<i>D</i>	<i>Bi</i>	<i>Be</i>	<i>N</i>	<i>M</i>	<i>G</i>	<i>Ds</i> (In.)			

SUC with Set Screw Lock

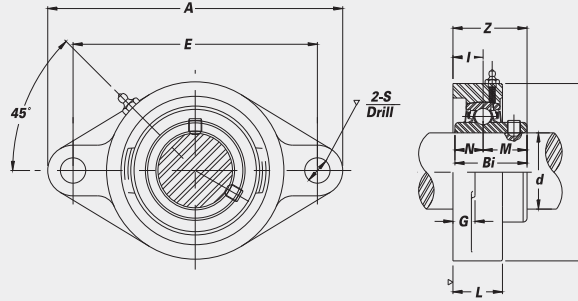
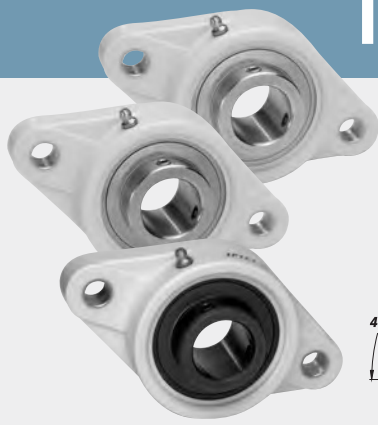
SUC 201-8	1/2												0.46
202-10	5/8		1.8504	1.2205	0.6299	0.5000	0.7205	0.1969			2,440	1,220	0.42
204-12	3/4		47.0	31.0	16.0	12.7	18.3	5.0					0.35
204		20							1/4-28UNF				0.35
SUC 205-14	7/8		2.0472	1.3386	0.6693	0.5630	0.7756	0.2165			2,670	1,440	0.51
205		25	52.0	34.0	17.0	14.3	19.7	5.5					0.44
205-16	1								1/4-28UNF				0.44
SUC 206-18	1 1/8		2.4409	1.5000	0.7480	0.6260	0.8740	0.2362			3,710	2,020	0.75
206		30	62.0	38.1	19.0	15.9	22.2	6.0					0.71
206-19	1 3/16								1/4-28UNF				0.71
206-20	1 1/4S												0.71
SUC 207-20	1 1/4		2.8346	1.6890	0.7874	0.6890	1.0000	0.2559			4,930	2,780	1.19
207-21	1 5/16		72.0	42.9	20.0	17.5	25.4	6.5					1.12
207-22	1 3/8								5/16-24UNF				1.06
207		35											1.06
207-23	1 7/16												0.99
SUC 208-24	1 1/2		3.1496	1.9370	0.8268	0.7480	1.1890	0.3150			5,660	3,300	1.50
208		40	80.0	49.2	21.0	19.0	30.2	8.0					1.41
SUC 209-27	1 11/16		3.3465	1.9370	0.8661	0.7480	1.1890	0.3150			6,230	3,680	1.63
209-28	1 3/4		85.0	49.2	22.0	19.0	30.2	8.0					1.54
209		45							5/16-24UNF				1.50
SUC 210-31	1 5/16		3.5433	2.0315	0.9449	0.7480	1.2835	0.3543			6,590	4,070	1.81
210		50	90.0	51.6	24.0	19.0	32.6	9.0					1.76
210-32	2S								3/8-24UNF				1.66
SUC 211-32	2		3.9370	2.1890	0.9843	0.8740	1.3150	0.3543			7,780	4,890	2.78
211		55	100.0	55.6	25.0	22.2	33.4	9.0					2.45
211-35	2 3/16								3/8-24UNF				2.40
SUC 212-36	2 1/4		4.3307	2.5630	1.0630	1.0000	1.5630	0.4134			8,910	5,870	3.68
212		60	110.0	65.1	27.0	25.4	39.7	10.5					3.40
212-39	2 7/16								3/8-24UNF				3.20

SNA with Eccentric Locking Collar

SNA 204-12	3/4		1.8504	1.5433	0.6299	0.5000	0.6693	0.1890			2,440	1,220	0.45
204		20	47.0	39.2	16.0	12.7	17.0	4.8					0.43
SNA 205-14	7/8		2.0472	1.6220	0.6693	0.5630	0.6850	0.1890			2,670	1,440	0.58
205		25	52.0	41.2	17.0	14.3	17.4	4.8					0.49
205-16	1								1/4-28UNF				0.49
SNA 206-18	1 1/8		2.4409	1.8110	0.7480	0.6260	0.7165	0.2362			3,710	2,020	0.89
206		30	62.0	46.0	19.0	15.9	18.2	6.0					0.84
206-19	1 3/16								5/16-24UNF				0.84
206-20	1 1/4S												0.76
SNA 207-20	1 1/4		2.8346	1.9606	0.7874	0.6890	0.7402	0.2677			4,930	2,780	1.44
207-22	1 3/8		72.0	49.8	20.0	17.5	18.8	6.8					1.28
207		35							5/16-24UNF				1.28
207-23	1 7/16												1.22
SNA 208-24	1 1/2		3.1496	2.1220	0.8268	0.7480	0.8425	0.2677			5,660	3,300	1.75
208		40	80.0	53.9	21.0	19.0	21.4	6.8					1.64
SNA 209-28	1 3/4		3.3465	2.1220	0.8661	0.7480	0.8425	0.2677			6,230	3,680	1.83
			85.0	53.9	22.0	19.0	21.4	6.8					
SNA 210-31	1 5/16		3.5433	2.2480	0.9449	0.7480	0.9685	0.2677			6,590	4,070	2.19
210-32	2S		90.0	57.1	24.0	19.0	24.6	6.8					2.07

CORROSION RESISTANT

Thermoplastic 2-Bolt Flanges



With Set Screw Lock
Optional bearing inserts:
 Stainless Steel-SUCTFL
 Hard Chrome Coated-CUCTFL
 Black Oxide-BUCTFL

• End Caps Available for all styles.



B-type Seal

B-type seal available in all styles and sizes.



L3-type Seal

L3-type seal available in SUC units only. Limited sizes. Consult IPTCI for speed limitations.

CORROSION RESISTANT

Unit No.	Shaft Dia.	Dimensions (in. (mm))											Bolt Used (in.)	Bearing No.	Housing No.	Weight (lbs.)
	d	A	E	I	G	L	S	B	Z	Bi	N	M				

SUCTFL with Stainless Steel Bearing Inserts

SUCTFL 201-8 202-10 204-12 204	1/2 5/8 3/4	20	4 7/16 113	3 17/32 89.7	39/64 15	7/16 11	1 1/32 26	7/16 11	2 17/32 64	1 21/64 33.7	1.2205 31.0	0.5000 12.7	0.7205 18.3	3/8	SUC 201-8 202-10 204-12 204	TFL 204	.5
SUCTFL 205-14 205 205-16	7/8 1	25	5 1/8 130	3 57/64 98.8	43/64 17	1 7/32 13	1 9/32 29	7/16 11	2 3/4 70	1 7/16 36.5	1.3386 34.0	0.5630 14.3	0.7756 19.7	3/8	SUC 205-14 205 205-16	TFL 205	.7
SUCTFL 206-18 206 206-19 206-20	1 1/8 1 3/16 1 1/4S	30	5 9/16 148	4 19/32 116.7	3/4 19	1 7/32 13	1 7/32 31	7/16 11	3 5/32 80	1 39/64 40.9	1.5000 38.1	0.6260 15.9	0.8740 22.2	3/8	SUC 206-18 206 206-19 206-20	TFL 206	1.1
SUCTFL 207-20 207-21 207-22 207 207-23	1 1/4 1 5/16 1 3/8 1 7/16	35	6 15/32 164	5 1/8 130.2	23/32 18	5/8 16	1 9/32 33	33/64 13	3 17/32 90	1 23/32 43.7	1.6890 42.9	0.6890 17.5	1.0000 25.4	1/2	SUC 207-20 207-21 207-22 207 207-23	TFL 207	1.5
SUCTFL 208-24 208	1 1/2	40	6 7/8 175	5 21/32 143.7	2 1/32 21	25/32 20	1 15/32 37	35/64 14	3 15/16 100	2 3/64 52.0	1.9370 49.2	0.7480 19.0	1.1890 30.2	1/2	SUC 208-24 208	TFL 208	2.0

CUCTFL with Hard Chrome Coated Bearing Inserts

CUCTFL 204-12 204	3/4	20	4 7/16 113	3 17/32 89.7	39/64 15	7/16 11	1 1/32 26	7/16 11	2 17/32 64	1 21/64 33.7	1.2205 31.0	0.5000 12.7	0.7205 18.3	3/8	CUC 204-12 204	TFL 204	.5
CUCTFL 205-14 205 205-16	7/8 1	25	5 1/8 130	3 57/64 98.8	43/64 17	1 7/32 13	1 9/32 29	7/16 11	2 3/4 70	1 7/16 36.5	1.3386 34.0	0.5630 14.3	0.7756 19.7	3/8	CUC 205-14 205 205-16	TFL 205	.7
CUCTFL 206-18 206 206-19 206-20	1 1/8 1 3/16 1 1/4S	30	5 9/16 148	4 19/32 116.7	3/4 19	1 7/32 13	1 7/32 31	7/16 11	3 5/32 80	1 39/64 40.9	1.5000 38.1	0.6260 15.9	0.8740 22.2	3/8	CUC 206-18 206 206-19 206-20	TFL 206	1.1
CUCTFL 207-20 207-22 207 207-23	1 1/4 1 3/8 1 7/16	35	6 15/32 164	5 1/8 130.2	23/32 18	5/8 16	1 9/32 33	33/64 13	3 17/32 90	1 23/32 43.7	1.6890 42.9	0.6890 17.5	1.0000 25.4	1/2	CUC 207-20 207-22 207 207-23	TFL 207	1.5
CUCTFL 208-24 208	1 1/2	40	6 7/8 175	5 21/32 143.7	2 1/32 21	25/32 20	1 15/32 37	35/64 14	3 15/16 100	2 3/64 52.0	1.9370 49.2	0.7480 19.0	1.1890 30.2	1/2	CUC 208-24 208	TFL 208	2.0

BUCTFL with Black Oxide Bearing Inserts

BUCTFL 201-8 202-10 204-12 204	1/2 5/8 3/4	20	4 7/16 113	3 17/32 89.7	39/64 15	7/16 11	1 1/32 26	7/16 11	2 17/32 64	1 21/64 33.7	1.2205 31.0	0.5000 12.7	0.7205 18.3	3/8	BUC 201-8 202-10 204-12 204	TFL 204	.5
BUCTFL 205-14 205 205-16	7/8 1	25	5 1/8 130	3 57/64 98.8	43/64 17	1 7/32 13	1 9/32 29	7/16 11	2 3/4 70	1 7/16 36.5	1.3386 34.0	0.5630 14.3	0.7756 19.7	3/8	BUC 205-14 205 205-16	TFL 205	.7
BUCTFL 206-18 206 206-19 206-20	1 1/8 1 3/16 1 1/4S	30	5 9/16 148	4 19/32 116.7	3/4 19	1 7/32 13	1 7/32 31	7/16 11	3 5/32 80	1 39/64 40.9	1.5000 38.1	0.6260 15.9	0.8740 22.2	3/8	BUC 206-18 206 206-19 206-20	TFL 206	1.1
BUCTFL 207-20 207-22 207 207-23	1 1/4 1 3/8 1 7/16	35	6 15/32 164	5 1/8 130.2	23/32 18	5/8 16	1 9/32 33	33/64 13	3 17/32 90	1 23/32 43.7	1.6890 42.9	0.6890 17.5	1.0000 25.4	1/2	BUC 207-20 207-22 207 207-23	TFL 207	1.5
BUCTFL 208-24 208	1 1/2	40	6 7/8 175	5 21/32 143.7	2 1/32 21	25/32 20	1 15/32 37	35/64 14	3 15/16 100	2 3/64 52.0	1.9370 49.2	0.7480 19.0	1.1890 30.2	1/2	BUC 208-24 208	TFL 208	2.0

Bearing Selection

Load Capacities & Life Calculations

Simple life/load estimations can be derived from the Radial Load chart shown on page 86. However, if a more specific estimation is desired, the life of a bearing can be calculated by the following formula:

$$L_{10h} = \left(\frac{C}{P}\right)^3 \times \frac{16,667}{n}$$

Where:

L10h = Life hours
C = Basic Load Rating (lbf)
P = Equivalent Radial Load (lbf)
n = Speed (RPM)

See Page 86, or individual bearing pages for Basic Load Ratings.

L10h equals the number of hours that 90% of an identical sample group, operating under identical and ideal conditions, will operate without failure. Since actual field conditions seldom, if ever, match the ideal conditions used in the calculation of L10h, compensation for slip fit (most mounted bearings), dust, vibration, and shock loading must be considered. Since most **IPTCI** products are mounted units, it is helpful then to adjust the L10h number by .46 for slip fit applications and further reduce this number by 50-70% to compensate for other operating conditions.

Example:

Bearing: UCP205-16 – with slip fit on to ground shafting.
Application: Farm equipment experiencing variable shock loading.
L10h = 10,000 hours
Adjustment would be: 10,000 x .46 x .3 = 1,380 hours

Light and or infrequent vibration/shock loading may not require as much adjustment; however, **IPTCI** always recommends very generous safety factors for maximum bearing longevity. Additional adjustment may also be required if the bearing is directly exposed to heavy contaminants. The seal type will then influence the amount of this additional adjustment. It is assumed that the bearing will be operated within the confines of its published temperature limits, and that it will be relubricated properly.

Note: Caution is advised if in the use of the L10 formula, extremely high or low hours are derived.

Thrust

The above calculations assume that there is no consequential thrust load present; therefore, the actual radial load equals the Equivalent Radial Load. It is important to note, however, that thrust, or axial force can dramatically affect the life of a mounted ball bearing. It is also significant to note that, outside of ideal testing conditions, and without field experience, many thrust applications are difficult to realistically quantify. Therefore, as thrust exceeds approximately 25% of the Basic Load Rating, or there exists a combination of thrust and speed, please contact **IPTCI** for technical assistance.

Bearing Inserts* • Radial Load Chart

TECHNICAL INFORMATION

Bearing Numbers						Basic Load Rating @ 33 ¹ / ₃ RPM	Radial Load Rating in Pounds at Various RPM Based on 500 Hours Minimum Life										
Normal Duty		Light Duty		Medium Duty	UCX		50	100	200	300	500	900	1200	1500	1800	2400	3600
UC/UCW	NA/NAW	ER	SA	SB													
UCW 201 201-8	NAW 201 201-8	–	SA 201 201-8	SB 201 201-8	–	2040	1780	1415	1120	980	830	680	620	575	540	490	425
UCW 202 202-10	NAW 202 202-10	–	SA 202 202-10	SB 202 202-10	–	2040	1780	1415	1120	980	830	680	620	575	540	490	425
UCW 203	NAW 203	–	SA 203	SB 203	–	2040	1780	1415	1120	980	830	680	620	575	540	490	425
UC 201 201-8	NA 201 201-8	ER 201 201-8	SA 201 201-8	SB 201 201-8	–	2740	2390	1890	1510	1320	1110	910	835	770	725	655	575
UC 202 202-10	NA 202 202-10	ER 202 202-10	SA 202 202-10	SB 202 202-10	–	2740	2390	1890	1510	1320	1110	910	835	770	725	655	575
UC 203	NA 203	ER 203	SA 204-12 204	SB 204-12 204	–	2740	2390	1890	1510	1320	1110	910	835	770	725	655	575
UC 204-12 204	NA 204-12 204	ER 204-12 204	SA 204-12 204	SB 204-12 204	–	2740	2390	1890	1510	1320	1110	910	835	770	725	655	575
UC 205-14 205-15 205-16	NA 205-14 205-15 205-16	ER 205-14 205-15 205-16	SA 205-14 205-15 205-16	SB 205-14 205-15 205-16	–	3010	2625	2085	1650	1450	1210	1000	915	845	800	725	630
UC 206-17 206-18 206-19 206-20	NA 206-17 206-18 206-19 206-20	ER 206-17 206-18 206-19 206-20	SA 206-17 206-18 206-19 206-20	SB 206-17 206-18 206-19 206-20	UC X05-14 X05-15 X05-16	4200	3670	2910	2290	2010	1695	1390	1265	1170	1100	990	860
UC 207-20 207-21 207-22 207-23	NA 207-20 207-21 207-22 207-23	ER 207-20 207-21 207-22 207-23	SA 207-20 207-21 207-22 207-23	SB 207-20 207-21 207-22 207-23	UC X06-18 X06-19 X06-20	5535	4820	3850	3050	2680	2250	1850	1680	1560	1420	1325	1155
UC 208-24 208-25 208	NA 208-24 208-25 208	ER 208-24 208-25 208	SA 208-24 208-25 208	SB 208-24 208-25 208	UC X07-22 X07-23	6375	5560	4410	3490	3040	2550	2100	1895	1755	1655	1505	–
UC 209-26 209-27 209-28 209	NA 209-26 209-27 209-28 209	ER 209-26 209-27 209-28 209	SA 209-26 209-27 209-28 209	–	UC X08-24 X08	7110	6210	4915	3910	3400	2880	2355	2150	1990	1875	1700	–
UC 210-30 210-31 210 210-32	NA 210-30 210-31 210 210-32	ER 210-30 210-31 210 210-32	SA 210-30 210-31 210 210-32	–	UC X09-26 X09-27 X09-28 X09	7400	6465	5140	4075	3560	3000	2460	2240	2075	1970	1740	–
UC 211-32 211-34 211 211-35	NA 211-32 211-34 211 211-35	ER 211-32 211-34 211 211-35	SA 211-32 211-34 211 211-35	–	UC X10-30 X10-31 X10-32	9490	8290	6575	5220	4560	3825	3140	2840	2635	2460	2240	–
UC 212-36 212-38 212-39	NA 212-36 212-38 212-39	ER 212-36 212-38 212-39	–	–	UC X11-34 X11-35 X11-36	11,500	10,050	7965	6335	5525	4655	3775	3450	3200	3000	–	–
UC 213-40 213	NA 213-40 213	–	–	–	UC X12 X12-38 X12-39	12,400	10,810	8690	6860	6030	5030	4180	3780	3470	3260	–	–
UC 214-44 214	NA 214-44 214	–	–	–	UC X13-40 X13	13,530	11,820	9450	7480	6480	5520	4540	4110	3820	3510	–	–
UC 215-47 215 215-48	NA 215-47 215 215-48	ER 215-47 215 215-48	–	–	UC X14-44 X14	14,620	12,745	10,210	8100	7090	5980	4900	4400	4110	3860	–	–
UC 216	–	–	–	–	UC X15-47 X15 X15-48	15,970	13,950	11,070	8160	6470	5650	5150	4840	4490	4200	–	–
UC 218-56 218	–	–	–	–	UC X17 X17-55 X17-56	21,120	18,460	14,650	10,780	8560	7480	6800	6400	5940	–	–	–
–	–	–	–	–	UC X20 X20-63 X20-64	29,300	25,600	20,300	16100	14,100	11,900	9770	8870	–	–	–	–

*52100 Bearing Steel Only

Installation & Lubrication

Shaft Tolerances

Shaft Diameter	Shaft Tolerance
1/2" - 1 15/16"	Nominal to -.0005"
2" - 3 3/16"	Nominal to -.0010"
3 1/4" - Up	Nominal to -.0015"

For maximum life, **IPTCI** recommends a fit as close to nominal as possible. Turned and ground shafting is also beneficial as it tends to be rounder, straighter and free of burrs or other flaws.

Mounting Instructions

When mounting, always clean shafting and bearing bore. Then, having coated the shaft with a light oil, slide the bearing unit on the shaft to its correct position. It may be necessary to use a soft mallet and/or pipe, on the inner ring only, to reach the correct position. Never pound on, or apply pressure to, the outside ring! Once the bearing unit is in position, precise alignment can be achieved by first fixing the housing in place, then simultaneously rotating and tapping the shaft with a soft mallet. This should be accomplished before any locking collar or set screw is tightened.

When mounting a locking collar bearing, use a spanner wrench or punch to lock the collar in place — always in the direction of shaft rotation. Then tighten set screw. Do not use locking collar bearings for bi-directional applications.

When mounting set screw locking bearings we recommend the following torque settings:

Mild steel set screws - for standard bearing inserts

Set Screw Size	Max. Recommended Torque (in./lbs.)
10-32	28
1/4 - 28	66
5/16 - 24	126
3/8 - 24	228
7/16 - 20	306
1/2 - 20	330

400 series stainless set screws for SUC, SUCX, SSB, SNA & CUC bearing inserts

Set Screw Size	Max. Recommended Torque (in./lbs.)
1/4 - 28	54
5/16 - 24	110
3/8 - 24	205

Lubrication

All IPTCI bearing units are factory prelubricated and, therefore, do not require supplemental grease before service life begins. Relubrication, when administered correctly, can increase the life of a bearing substantially. IPTCI recommends the following general guidelines to maximize your bearing life:

RPM	Temperature	Environmental Condition	Interval
100	32° F - 120° F	Clean	6-12 months
500	32° F - 150° F	Clean	2-6 months
1,000	32° F - 210° F	Clean	2 weeks to 2 months
1,500	Over 210° F	Clean	Daily to weekly
Any	32° F - 150° F	Dirty	Weekly to monthly
Any	Over 150° F	Dirty	Daily to 2 weeks
Any	Any Temp.	Very Dirty	Daily to weekly
Any	Any Temp.	Extremely Dirty	Daily to weekly

NOTE:

Overlubrication is a major cause of bearing failures. Please relubricate conservatively when unsure of bearing requirements.

When selecting a bearing lubricant, **IPTCI** suggests any lithium-based NLGI #2 grease. For operating temperatures higher than 210° F, please consult **IPTCI**.

BEARING INSERTS

Please note: The following lists are only a listing of our stock bearings. Please see the previous pages for technical info and for a listing of what IPTCI stocks.

Discounts for IPTCI bearings come at 50 pieces and 100 pieces.

SET SCREW LOCKING • GREASABLE • WIDE INNER RACE • SPHERICAL OUTER RACE

Part #	IPTCI Part #	Bore Size
BUCW20108	UCW201-8	1/2
BUCW20210	UCW202-10	5/8
BUC20108	UC201-08	1/2
BUC20210	UC202-10	5/8
BUC20412	UC204-12	3/4
BUC20514	UC205-14	7/8
BUC20515	UC205-15	15/16
BUC20516	UC205-16	1
BUC20617	UC206-17	1 1/16
BUC20618	UC206-18	1 1/8
BUC20619	UC206-19	1 3/16
BUC20620	UC206-20	1 1/4
BUC20720	UC207-20	1 1/4
BUC20721	UC207-21	1 5/16
BUC20722	UC207-22	1 3/8
BUC20723	UC207-23	1 7/16
BUC20824	UC208-24	1 1/2
BUC20926	UC209-26	1 5/8
BUC20928	UC209-28	1 3/4
BUC21030	UC210-30	1 7/8
BUC21031	UC210-31	1 15/16
BUC21032	UC210-32	2
BUC21132	UC211-32	2
BUC21134	UC211-34	2 1/8
BUC21135	UC211-35	2 3/16
BUC21236	UC212-36	2 1/4
BUC21238	UC212-38	2 3/8
BUC21239	UC212-39	2 7/16
BUC21340	UC213-40	2 1/2
BUC21444	UC214-44	2 3/4
BUC21547	UC215-47	2 15/16
BUC21548	UC215-48	3



SET SCREW LOCKING • GREASABLE • WIDE INNER RACE • SPHERICAL OUTER RACE • TRIPLE LIP SEALS

Part #	IPTCI Part #	Bore Size
BUC20516L3	UC205-16 L3	1
BUC20620L3	UC206-20 L3	1 1/4
BUC20720L3	UC207-20 L3	1 1/4
BUC20824L3	UC208-24 L3	1 1/2

ECENTRIC LOCKING COLLAR • GREASABLE • WIDE INNER RACE • SPHERICAL OUTER RACE

Part #	IPTCI Part #	Bore Size
BNAW20210	NAW202-10	5/8
BNA20108	NA201-8	1/2
BNA20210	NA202-10	5/8
BNA20412	NA204-12	3/4
BNA20514	NA205-14	7/8
BNA20515	NA205-15	15/16
BNA20516	NA205-16	1
BNA20617	NA206-17*	1 1/16
BNA20618	NA206-18	1 1/8
BNA20619	NA206-19	1 3/16
BNA20620	NA206-20	1 1/4
BNA20720	NA207-20	1 1/4
BNA20721	NA207-21*	1 5/16
BNA20722	NA207-22	1 3/8
BNA20723	NA207-23	1 7/16
BNA20824	NA208-24	1 1/2
BNA20926	NA209-26	1 5/8
BNA20927	NA209-27	1 11/16
BNA20928	NA209-28	1 3/4
BNA21030	NA210-30	1 7/8
BNA21031	NA210-31	1 15/16
BNA21032	NA210-32	2
BNA21132	NA211-32	2
BNA21134	NA211-34	2 1/8
BNA21135	NA211-35	2 3/16
BNA21236	NA212-36	2 1/4
BNA21238	NA212-38	2 3/8
BNA21239	NA212-39	2 7/16
BNA21340	NA213-40	2 1/2
BNA21548	NA215-48	3

*IPTCI brand not available. We stock Dura Roll brand.



POWER TRANSMISSION

ECENTRIC LOCKING COLLAR • GREASABLE • WIDE INNER RACE • SPHERICAL OUTER RACE • TRIPLE LIP SEALS

Part #	IPTCI Part #	Bore Size
BNA20412L3	NA204-12 L3	3/4
BNA20516L3	NA205-16 L3	1
BNA20620L3	NA206-20 L3	1 1/4
BNA20720L3	NA207-20 L3	1 1/4
BNA20722L3	NA207-22 L3	1 3/8

Part #	IPTCI Part #	Bore Size
BNA20723L3	NA207-23 L3	1 7/16
BNA20824L3	NA208-24 L3	1 1/2
BNA20926L3	NA209-26 L3	1 5/8
BNA20928L3	NA209-28 L3	1 3/4
BNA21132L3	NA211-32 L3	2

SET SCREW LOCKING • GREASABLE • WIDE INNER RACE • SPHERICAL OUTER RACE • MEDIUM DUTY

Part #	IPTCI Part #	Bore Size
BUCX0516	UCX05-16	1
BUCX0722	UCX07-22	1 3/8
BUCX0723	UCX07-23	1 7/16
BUCX1239	UCX12-39	2 7/16
BUCX1340	UCX13-40	2 1/2



SET SCREW LOCKING • GREASABLE • WIDE INNER RACE • CYLINDRICAL OUTER RACE W/SNAP RING

Part #	IPTCI Part #	Bore Size
BER20412	ER204-12	3/4
BER20514	ER205-14	7/8
BER20722	ER207-22	1 3/8



SET SCREW LOCKING • GREASABLE • NARROW INNER RACE • SPHERICAL OUTER RACE

Part #	IPTCI Part #	Bore Size
BSB20412G	SB204-12G	3/4
BSB20514G	SB205-14G	7/8
BSB20516G	SB205-16G	1
BSB20618G	SB206-18G	1 1/8
BSB20619G	SB206-19G	1 3/16
BSB20620G	SB206-20G	1 1/4
BSB20720G	SB207-20G	1 1/4



BEARING INSERTS *CONTINUED FROM PREVIOUS PAGE

ECENTRIC LOCKING COLLAR • NON-GREASABLE • NARROW INNER RACE • SPHERICAL OUTER RACE



Part #	IPTCI Part #	Bore Size
BSA20108N	SA201-8N	1/2
BSA20210N	SA202-10N	5/8
BSA20412N	SA204-12N	3/4
BSA20514N	SA205-14N	7/8
BSA20515N	SA205-15N*	15/16
BSA20516N	SA205-16N	1
BSA20617N	SA206-17N*	1 1/16
BSA20618N	SA206-18N	1 1/8
BSA20619N	SA206-19N	1 3/16
BSA20620N	SA206-20N	1 1/4
BSA20720N	SA207-20N	1 1/4

Part #	IPTCI Part #	Bore Size
BSA20721N	SA207-21N*	1 5/16
BSA20722N	SA207-22N	1 3/8
BSA20723N	SA207-23N	1 7/16
BSA20824N	SA208-24N	1 1/2
BSA20926N	SA209-26N	1 5/8
BSA20928N	SA209-28N	1 3/4
BSA21030N	SA210-30N*	1 7/8
BSA21031N	SA210-31N	1 15/16
BSA21032N	SA210-32N	2
BSA21132N	SA211-32N	2

*IPTCI brand not available. We stock Dura Roll brand.

Part #	Fafnir Part #	Bore Size
BFRA100RRB	RA100RRB*	1

*These are Fafnir brand. They are the equivalent of the IPTCI SA205-16N.

ECENTRIC LOCKING COLLAR • GREASABLE • NARROW INNER RACE • SPHERICAL OUTER RACE

Part #	IPTCI Part #	Bore Size
BSA20412G	SA204-12G	3/4
BSA20514G	SA205-14G	7/8
BSA20516G	SA205-16G	1
BSA20617G	SA206-17G	1 1/16
BSA20618G	SA206-18G	1 1/8
BSA20619G	SA206-19G	1 3/16
BSA20620G	SA206-20G	1 1/4
BSA20720G	SA207-20G	1 1/4
BSA20721G	SA207-21G	1 5/16

Part #	IPTCI Part #	Bore Size
BSA20722G	SA207-22G	1 3/8
BSA20723G	SA207-23G	1 7/16
BSA20824G	SA208-24G	1 1/2
BSA20926G	SA209-26G	1 5/8
BSA20928G	SA209-28G	1 3/4
BSA21030G	SA210-30G	1 7/8
BSA21031G	SA210-31G	1 15/16
BSA21032G	SA210-32G	2

ECENTRIC LOCKING COLLAR • NON-GREASABLE • NARROW INNER RACE • CYLINDRICAL OUTER RACE

Part #	IPTCI Part #	Bore Size
BCSA20108	CSA201-8	1/2
BCSA20210	CSA202-10	5/8
BCSA20412	CSA204-12	3/4
BCSA20514	CSA205-14	7/8
BCSA20516	CSA205-16	1
BCSA20618	CSA206-18	1 1/8
BCSA20619	CSA206-19	1 3/16
BCSA20620	CSA206-20	1 1/4
BCSA20720	CSA207-20	1 1/4
BCSA20722	CSA207-22	1 3/8
BCSA20723	CSA207-23	1 7/16
BCSA20824	CSA208-24	1 1/2



POWER TRANSMISSION

HOUSINGS

PILLOW BLOCKS

POWER TRANSMISSION

Part #	IPTCI Part #
BP203	P203
BP204	P204
BP205	P205
BP206	P206
BP207	P207
BP208	P208
BP209	P209
BP210	P210
BP211	P211
BP212	P212
BP213	P213
BP214	P214
BP215	P215



4 HOLE FLANGES

Part #	IPTCI Part #
BNF203	NF203
BNF204	NF204
BNF205	NF205
BNF206	NF206
BNF207	NF207
BNF208	NF208
BNF209	NF209
BNF210	NF210
BNF211	NF211
BNF212	NF212
BNF213	NF213
BNF214	NF214
BNF215	NF215



2 HOLE FLANGES

Part #	IPTCI Part #
BNFL203	NFL203
BNFL204	NFL204
BNFL205	NFL205
BNFL206	NFL206
BNFL207	NFL207
BNFL208	NFL208
BNFL209	NFL209
BNFL210	NFL210
BNFL211	NFL211



TAKE UP HOUSINGS

Part #	IPTCI Part #
BT204	T204
BT205	T205
BT206	T206
BT207	T207
BT208	T208
BT209	T209
BT210	T210
BT211	T211



3 HOLE FLANGES

Part #	IPTCI Part #
BRFB204H4	RFB204 G H4
BRFB205H4	RFB205 G H4
BRFB206H4	RFB206 G H4
BRFB207H4	RFB207 G H4



2 HOLE FLANGES

Part #	IPTCI Part #
BLF203H4	LF203 G H4
BLF204H4	LF204 G H4
BLF205H4	LF205 G H4
BLF206H4	LF206 G H4
BLF207H4	LF207 G H4



ECCENTRIC LOCKING COLLARS & COMPLETE BEARINGS

ECCENTRIC LOCKING COLLARS

Part #	IPTCI Part #
BA20108	A201-8
BA20210	A202-10
BA20412	A204-12
BA20514	A205-14
BA20515	A205-15
BA20516	A205-16
BA20619	A206-19
BA20620	A206-20
BA20720	A207-20
BA20722	A207-22
BA20723	A207-23
BA20824	A208-24
BA20926	A209-26
BA20928	A209-28
BA21030	A210-30
BA21031	A210-31
BA21132	A211-32



COMPLETE BEARINGS

PILLOW BLOCK • SET SCREW LOCKING • GREASABLE • WIDE INNER RACE



Part #	IPTCI Part #	Bore Size
BUCP20412	UCP204-12	3/4
BUCP20514	UCP205-14	7/8
BUCP20516	UCP205-16	1
BUCP20620	UCP206-20	1 1/4
BUCP20720	UCP207-20	1 1/4
BUCP21031	UCP210-31	1 15/16

PILLOW BLOCK • ECCENTRIC LOCKING COLLAR • GREASABLE • WIDE INNER RACE

Part #	IPTCI Part #	Bore Size
BNAP20210	NAP202-10	5/8
BNAP20412	NAP204-12	3/4
BNAP20514	NAP205-14	7/8
BNAP20516	NAP205-16	1
BNAP20618	NAP206-18	1 1/8
BNAP20619	NAP206-19	1 3/16
BNAP20620	NAP206-20	1 1/4
BNAP20720	NAP207-20	1 1/4
BNAP20722	NAP207-22	1 3/8
BNAP20723	NAP207-23	1 7/16
BNAP20824	NAP208-24	1 1/2
BNAP20926	NAP209-26	1 5/8
BNAP20928	NAP209-28	1 3/4
BNAP21031	NAP210-31	1 15/16
BNAP21132	NAP211-32	2
BNAP21135	NAP211-35	2 3/16
BNAP21239	NAP212-39	2 7/16
BNAP21340	NAP213-40	2 1/2

COMPLETE BEARINGS

PILLOW BLOCK • ECCENTRIC LOCKING COLLAR • GREASABLE • WIDE INNER RACE • TRIPLE LIP SEAL

Part #	IPTCI Part #	Bore Size
BNAP20516L3	NAP205-16 L3	1

PILLOW BLOCK • SET SCREW LOCKING • GREASABLE • NARROW INNER RACE

Part #	IPTCI Part #	Bore Size
BSBP20210	SBP202-10	5/8

4 HOLE FLANGE • SET SCREW LOCKING • GREASABLE • WIDE INNER RACE

Part #	IPTCI Part #	Bore Size
BUCF20618	UCF206-18	1 1/8
BUCF20720	UCF207-20	1 1/4
BUCF21032	UCF210-32	2

4 HOLE FLANGE • ECCENTRIC LOCKING COLLAR • GREASABLE • WIDE INNER RACE

Part #	IPTCI Part #	Bore Size
BNANF20516	NANF20516	1
BNANF20720	NANF20720	1 1/4
BNANF21132	NANF21132	2

2 HOLE FLANGE • SET SCREW LOCKING • GREASABLE • WIDE INNER RACE

Part #	IPTCI Part #	Bore Size
BUCFL20412	UCFL204-12	3/4
BUCFL20514	UCFL205-14	7/8

2 HOLE FLANGE • ECCENTRIC LOCKING COLLAR • GREASABLE • WIDE INNER RACE

Part #	IPTCI Part #	Bore Size
BNANFL20412	NANFL20412	3/4
BNANFL20516	NANFL20516	1
BNANFL20824	NANFL20824	1 1/2

HANGER UNIT • SET SCREW LOCKING • GREASABLE • WIDE INNER RACE

Part #	IPTCI Part #	Bore Size
BUCHA20824	UCHA208-24	1 1/2

TAKE UP HOUSING • SET SCREW LOCKING • GREASABLE • WIDE INNER RACE

Part #	IPTCI Part #	Bore Size
BUCT20618	UCT206-18	1 1/8
BUCT20720	UCT207-20	1 1/4

PREMIUM MOUNTED BEARINGS



AMI Bearings are premium quality Japanese made bearings. They feature the broadest possible combination of over 50,000 unique mounted ball bearings. Their products are of the highest quality and are manufactured to exacting standards to out perform in even the most critical applications. Lead time on AMI bearings is 1-2 days.

ECONOMY MOUNTED BEARINGS

Economy Mounted Bearing housing dimensions vary slightly from dimensions for IPTCI bearings. If you need an exact measurement for these please give us a call. Discounts for economy bearings come at 50 pieces and 100 pieces.



PILLOW BLOCK • SET SCREW LOCKING • GREASABLE • WIDE INNER RACE

Part #	Bearing #	Bore Size
BMC40210	UCP202-10	5/8
BMC40412	UCP204-12	3/4
BMC40514	UCP205-14	7/8
BMC40515	UCP205-15	15/16
BMC40516	UCP205-16	1
BMC40618	UCP206-18	1 1/8

Part #	Bearing #	Bore Size
BMC40619	UCP206-19	1 3/16
BMC40620	UCP206-20	1 1/4
BMC40720	UCP207-20	1 1/4
BMC40722	UCP207-22	1 3/8
BMC40723	UCP207-23	1 7/16
BMC40824	UCP208-24	1 1/2

PILLOW BLOCK • ECCENTRIC LOCKING COLLAR • GREASABLE • WIDE INNER RACE

Part #	Bearing #	Bore Size
BIP10210	UELP/HCP202-10	5/8
BIP10412	UELP/HCP204-12	3/4
BIP10514	UELP/HCP205-14	7/8
BIP10516	UELP/HCP205-16	1
BIP10618	UELP/HCP206-18	1 1/8

Part #	Bearing #	Bore Size
BIP10620	UELP/HCP206-20	1 1/4
BIP10720	UELP/HCP207-20	1 1/4
BIP10722	UELP/HCP207-22	1 3/8
BIP10824	UELP/HCP208-24	1 1/2

4 HOLE FLANGE • SET SCREW LOCKING • GREASABLE • WIDE INNER RACE

Part #	Bearing #	Bore Size
BMF40210	UCF202-10	5/8
BMF40412	UCF204-12	3/4
BMF40514	UCF205-14	7/8
BMF40515	UCF205-15	15/16
BMF40516	UCF205-16	1
BMF40618	UCF206-18	1 1/8

Part #	Bearing #	Bore Size
BMF40619	UCF206-19	1 3/16
BMF40620	UCF206-20	1 1/4
BMF40720	UCF207-20	1 1/4
BMF40722	UCF207-22	1 3/8
BMF40824	UCF208-24	1 1/2

4 HOLE FLANGE • ECCENTRIC LOCKING COLLAR • GREASABLE • WIDE INNER RACE

Part #	Bearing #	Bore Size
BIFS10412	UELFS/HCFS204-12	3/4
BIFS10514	UELFS/HCFS205-14	7/8
BIFS10516	UELFS/HCFS205-16	1
BIF50617	SAF206-17G*	1 1/16
BIFS10618	UELFS/HCFS206-18	1 1/8

Part #	Bearing #	Bore Size
BIFS10620	UELFS/HCFS206-20	1 1/4
BIFS10720	UELFS/HCFS207-20	1 1/4
BIFS10722	UELFS/HCFS207-22	1 3/8
BIFS10824	UELFS/HCFS208-24	1 1/2

ECONOMY MOUNTED BEARINGS & STAMPED FLANGES

ECONOMY MOUNTED BEARINGS

2 HOLE FLANGE • SET SCREW LOCKING • GREASABLE • WIDE INNER RACE

Part #	Bearing #	Bore Size
BMFL40210	UCFL202-10	5/8
BMFL40412	UCFL204-12	3/4
BMFL40514	UCFL205-14	7/8
BMFL40516	UCFL205-16	1
BMFL40618	UCFL206-18	1 1/8

Part #	Bearing #	Bore Size
BMFL40620	UCFL206-20	1 1/4
BMFL40720	UCFL207-20	1 1/4
BMFL40722	UCFL207-22	1 3/8
BMFL40824	UCFL208-24	1 1/2

2 HOLE FLANGE • ECCENTRIC LOCKING COLLAR • GREASABLE • WIDE INNER RACE

Part #	Bearing #	Bore Size
BIFT10412	UELFT/HCFT204-12	3/4
BIFT10514	UELFT/HCFT205-14	7/8
BIFT10516	UELFT/HCFT205-16	1
BIFT10618	UELFT/HCFT206-18	1 1/8

Part #	Bearing #	Bore Size
BIFT10620	UELFT/HCFT206-20	1 1/4
BIFT10720	UELFT/HCFT207-20	1 1/4
BIFT10722	UELFT/HCFT207-22	1 3/8
BIFT10824	UELFT/HCFT208-24	1 1/2

STAMPED FLANGES

Stamped Flanges are sold by the piece with the exception of pillow blocks. Two pieces are needed to make one housing unit with the exception of flush mount housings.

2 HOLE FLANGES



Part #	Size	Overall Length	Overall Width	Center to Center on Bolt Holes	Material Thickness	Hole Size
BFL2H40	40MM	3 3/16	2 5/16	2 1/2	0.075	9/32
BFL2H47	47MM	3 9/16	2 5/8	2 13/16	0.083	11/32
BFL2H52	52MM	3 3/4	2 51/64	3	0.083	11/32
BFL2H62	62MM	4 7/16	3 5/16	3 9/16	0.104	13/32
BFL2H72	72MM	4 15/16	3 11/16	3 15/16	0.104	13/32

2 HOLE FLUSH MOUNT FLANGES

Flush Mount Flanges are designed to be used with bearings that have a cylindrical OD and are not self aligning.



Part #	Size	Overall Length	Overall Width	Center to Center on Bolt Holes	Material Thickness	Hole Size
BFLFM40	40MM	3 3/16	2 5/16	2 1/2	0.074	9/32
BFLFM47	47MM	3 9/16	2 5/8	2 13/16	0.074	11/32
BFLFM52	52MM	3 3/4	2 51/64	3	0.074	11/32

STAMPED FLANGES

PILLOW BLOCKS

Pillow Blocks are sold as a complete set only.



Part #	Size	Overall Length	Center to Center on Bolt Holes	Width	Height to Center of Shaft	Overall Height	Hole Size
BFLP47	47MM	4 1/8	3	1	1	2 1/16	13/32
BFLP52	52MM	4 1/2	3 3/8	1 1/8	1 1/8	2 7/32	13/32
BFLP62	62MM	4 7/8	3 3/4	1 1/8	1 5/16	2 5/8	13/32
BFLP72	72MM	5 3/4	4 1/4	1 1/4	1 9/16	3 1/8	17/32

3 HOLE OR 4 HOLE ROUND FLANGES



Part #	Size	Number of Bolt Holes	OD	Center to Center on Bolt Holes	Material Thickness	Hole Size
BFLR40	40MM	3	3 3/16	2 1/2	0.075	9/32
BFLR47	47MM	3	3 9/16	2 13/16	0.083	11/32
BFLR52	52MM	3	3 3/4	3	0.083	11/32
BFLR62	62MM	3	4 7/16	3 9/16	0.104	13/32
BFLR72	72MM	3	4 13/16	3 15/16	0.104	13/32
BFLR724	72MM	4	4 13/16	3 15/16	0.104	13/32
BFLR80	80MM	4	5 13/16	4 11/16	0.134	17/32
BFLR85	85MM	4	5 7/8	4 3/4	0.134	17/32
BFLR90	90MM	4	6 1/8	5	0.149	17/32
BFLR100	100MM	4	6 9/16	5 7/16	0.149	17/32

*The measurement for the center to center on the bolt holes for 3 hole round flanges is made by drawing a circle through the center of the bolt holes and then measuring the diameter of the circle.

HEAVY 3 HOLE OR 4 HOLE ROUND FLANGES

Heavy Round Flanges are made with a grease ring and are designed as the mating flange for the flanges with zerks.



Part #	Size	Number of Bolt Holes	OD	Center to Center on Bolt Holes	Material Thickness	Hole Size
BFLRH52	52MM	3	3 3/4	3	0.134	11/32
BFLRH62	62MM	3	4 7/16	3 9/16	0.134	13/32
BFLRH72	72MM	3	4 13/16	3 15/16	0.134	13/32
BFLRH80	80MM	4	5 13/16	4 11/16	0.149	17/32
BFLRH85	85MM	4	5 7/8	4 3/4	0.149	17/32
BFLRH90	90MM	4	6 1/8	5	0.164	17/32
BFLRH100	100MM	4	6 9/16	5 7/16	0.164	17/32

*The measurement for the center to center on the bolt holes for 3 hole round flanges is made by drawing a circle through the center of the bolt holes and then measuring the diameter of the circle.

STAMPED FLANGES

GREASABLE 3 HOLE OR 4 HOLE ROUND FLANGES

Greasable Round Flanges come with a zerk built into them. For the mating flange use a heavy round flange.



Part #	Size	Number of Bolt Holes	OD	Center to Center on Bolt Holes	Material Thickness	Hole Size
BFLRZ52	52MM	3	3 3/4	3	0.134	11/32
BFLRZ62	62MM	3	4 7/16	3 9/16	0.134	13/32
BFLRZ72	72MM	3	4 13/16	3 15/16	0.134	13/32
BFLRZ80	80MM	4	5 13/16	4 11/16	0.149	17/32
BFLRZ85	85MM	4	5 7/8	4 3/4	0.149	17/32
BFLRZ90	90MM	4	6 1/8	5	0.164	17/32
BFLRZ100	100MM	4	6 9/16	5 7/16	0.164	17/32

*The measurement for the center to center on the bolt holes for 3 hole round flanges is made by drawing a circle through the center of the bolt holes and then measuring the diameter of the circle.

3 HOLE TRIANGULAR FLANGES



Part #	Size	Height	Center to Center on Bolt Holes*	Material Thickness	Hole Size
BFLT40	40MM	2 23/32	2 1/2	0.075	9/32
BFLT47	47MM	3	2 13/16	0.083	11/32
BFLT52	52MM	3 1/8	3	0.083	11/32
BFLT62	62MM	3 11/16	3 9/16	0.104	13/32
BFLT72	72MM	4 5/32	3 15/16	0.104	13/32

*The measurement for the center to center on the bolt holes for 3 hole triangular flanges is made by drawing a circle through the center of the bolt holes and then measuring the diameter of the circle.

RADIAL BALL BEARINGS

Radial Bearings come in many types and sizes. 2rs indicates a bearing with rubber seals and ZZ indicates a bearing with metal shields. These bearings come standard with a C0 fit but for high speed applications designate a C3 fit. Discounts come at 10 pieces and 50 pieces.



RUBBER SEALS BOTH SIDES • METRIC SIZES

Part #	Bearing #	Bearing OD	Bearing ID	Bearing Width
B606-2RS	606-2RS	17.0	6.0	6.0
B607-2RS	607-2RS	19.0	7.0	6.0
B608-2RS	608-2RS	22.0	8.0	7.0
B626-2RS	626-2RS	19.0	6.0	6.0
B627-2RS	627-2RS	22.0	7.0	7.0
B5202-2RS	5202-2RS	35.0	15.0	15.875/0.6250"
B5203-2RS	5203-2RS	40.0	17.0	17.463/0.6875"
B5304-2RS	5304-2RS	52.0	20.0	22.200/0.8750"
B6000-2RS	6000-2RS	26.0	10.0	8.0
B6001-2RS	6001-2RS	28.0	12.0	8.0
B6002-2RS	6002-2RS	32.0	15.0	9.0
B6003-2RS	6003-2RS	35.0	17.0	10.0
B6004-2RS	6004-2RS	42.0	20.0	12.0
B6005-2RS	6005-2RS	47.0	25.0	12.0
B6006-2RS	6006-2RS	55.0	30.0	13.0
B6007-2RS	6007-2RS	62.0	35.0	14.0
B6008-2RS	6008-2RS	68.0	40.0	15.0
B6009-2RS	6009-2RS	75.0	45.0	16.0
B6010-2RS	6010-2RS	80.0	50.0	16.0
B6012-2RS	6012-2RS	95.0	60.0	18.0
B6200-2RS	6200-2RS	30.0	10.0	9.0
B6201-2RS	6201-2RS	32.0	12.0	10.0
B6202-2RS	6202-2RS	35.0	15.0	11.0
B6203-2RS	6203-2RS	40.0	17.0	12.0
B6204-2RS	6204-2RS	47.0	20.0	14.0
B6205-2RS	6205-2RS	52.0	25.0	15.0
B6206-2RS	6206-2RS	62.0	30.0	16.0
B6207-2RS	6207-2RS	72.0	35.0	17.0

Part #	Bearing #	Bearing OD	Bearing ID	Bearing Width
B6208-2RS	6208-2RS	80.0	40.0	18.0
B6209-2RS	6209-2RS	85.0	45.0	19.0
B6210-2RS	6210-2RS	90.0	50.0	20.0
B6211-2RS	6211-2RS	100.0	55.0	21.0
B6212-2RS	6212-2RS	110.0	60.0	22.0
B6301-2RS	6301-2RS	37.0	12.0	12.0
B6302-2RS	6302-2RS	42.0	15.0	13.0
B6303-2RS	6303-2RS	47.0	17.0	14.0
B6304-2RS	6304-2RS	52.0	20.0	15.0
B6305-2RS	6305-2RS	62.0	25.0	17.0
B6306-2RS	6306-2RS	72.0	30.0	19.0
B6307-2RS	6307-2RS	80.0	35.0	21.0
B6308-2RS	6308-2RS	90.0	40.0	23.0
B6309-2RS	6309-2RS	100.0	45.0	25.0
B6310-2RS	6310-2RS	110.0	50.0	27.0
B6311-2RS	6311-2RS	120.0	55.0	29.0
B6312-2RS	6312-2RS	130.0	60.0	31.0
B6903-2RS	6903-2RS	30.0	17.0	7.0
B6905-2RS	6905-2RS	42.0	25.0	9.0
B6908-2RS	6908-2RS	62.0	40.0	12.0
B6202-2RS10	6202-2RS X 5/8	35.0	15.9/0.625"	11.0
B6202-2RS16	6202-2RS X 16MM	35.0	16.0	11.0
B6203-2RS08	6203-2RS X 1/2	40.0	12.7/0.500"	12.0
B6203-2RS10	6203-2RS X 5/8	40.0	15.9/0.625"	12.0
B6203-2RS12	6203-2RS X 3/4	40.0	19.1/0.750"	12.0
B6204-2RS12	6204-2RS X 3/4	47.0	19.1/0.750"	14.0
B6205-2RS16	6205-2RS X 1	52.0	25.4/1.000"	15.0

RADIAL BALL BEARINGS & WHEEL BARROW BEARINGS

RUBBER SEALS BOTH SIDES • IMPERIAL SIZES

POWER TRANSMISSION

Part #	Bearing #	Bearing OD	Bearing ID	Bearing Width
B1603-2RS	1603-2RS	0.8750	0.3125	0.3438
B1605-2RS	1605-2RS	0.9063	0.3125	0.3125
B1607-2RS	1607-2RS	0.9063	0.4375	0.3125
B1615-2RS	1615-2RS	1.1250	0.4375	0.3750
B1616-2RS	1616-2RS	1.1250	0.5000	0.3750
B1621-2RS	1621-2RS	1.3750	0.5000	0.4375
B1622-2RS	1622-2RS	1.3750	0.5625	0.4375
B1623-2RS	1623-2RS	1.3750	0.6250	0.4375
B1628-2RS	1628-2RS	1.6250	0.6250	0.5000
B1630-2RS	1630-2RS	1.6250	0.7500	0.5000
B1633-2RS	1633-2RS	1.7500	0.6250	0.5000
B1635-2RS	1635-2RS	1.7500	0.7500	0.5000
B1638-2RS	1638-2RS	2.0000	0.7500	0.5625

Part #	Bearing #	Bearing OD	Bearing ID	Bearing Width
B1640-2RS	1640-2RS	2.0000	0.8750	0.5625
B1641-2RS	1641-2RS	2.0000	1.0000	0.5625
B1652-2RS	1652-2RS	2.5000	1.1250	0.6250
B1654-2RS	1654-2RS	2.5000	1.2500	0.6250
B1657-2RS	1657-2RS	2.5625	1.2500	0.6875
BR3-2RS	R3-2RS	0.5000	0.1880	0.1560
BR4-2RS	R4-2RS	0.6250	0.2500	0.1960
BR6-2RS	R6-2RS	0.8750	0.3750	0.2810
BR8-2RS	R8-2RS	1.1250	0.5000	0.3130
BR10-2RS	R10-2RS	1.3750	0.6250	0.3440
BR12-2RS	R12-2RS	1.6250	0.7500	0.4380
BR16-2RS	R16-2RS	2.0000	1.0000	0.5000
BR20-2RS	R20-2RS	2.2500	1.2500	0.5000

WHEEL BARROW BEARINGS

Wheel Barrow Bearings are designed for use in wheel barrow and other similar wheels. Price breaks are at 10 pieces and 50 pieces.



PRECISION GROUND • RUBBER SEALS BOTH SIDES

Part #	Size	Flange OD	Bearing Width	Width of Inner Race
	ID X OD			
BWBP08	1/2 X 1 3/8	1.500	0.438	0.510
BWBP10	5/8 X 1 3/8	1.500	0.438	0.510
BWBP12	3/4 X 1 3/8	1.500	0.438	0.510

UNGROUND • METAL SHIELDED

Part #	Size	Flange OD	Bearing Width	Width of Inner Race
	ID X OD			
BWB0618	3/8 X 1 1/8	1.25	0.344	0.438
BWB0818	1/2 X 1 1/8	1.25	0.344	0.438
BWB08	1/2 X 1 3/8	1.50	0.422	0.525
BWB10	5/8 X 1 3/8	1.50	0.422	0.525
BWB12	3/4 X 1 3/8	1.50	0.344	0.525

WHEEL BEARINGS

Tapered Roller Bearings are also known as wheel bearings. They are designed to accommodate combined loads such as radial and axial loads.



Part #	Bearing #	ID	OD	Thickness
BTRLM11749/10	A-1 LM11749/10	0.6875	1.57	0.545
BTRLM11949/10	A-2 LM11949/10	0.75	1.781	0.61
BTRM12649/10	A-3 M12649/10	0.8437	1.9687	0.69
BTRLM12749/10	A-12 LM12749/10	0.8656	1.781	0.61
BTRL44643/10	A-14 L44643/10	1	1.98	0.56
BTRL44649/10	A-4 L44649/10	1.0625	1.98	0.56
BTRLM67048	LM67048	1.25	-	-
BTRLM67048/10	A-6 LM67048/10	1.25	2.328	0.625
BTRLM67010	LM67010	-	2.328	0.625*
BTRLM48548/10	A-5 LM48548/10	1.375	2.5625	0.71
BTRLM48510	LM48510	-	2.5625	0.71*
BTRL68149/11	A-17 L68149/11	1.3775	2.3612	0.625
BTRJL69349	JL69349	1.4961	-	-
BTRJL69349/10	A-18 JL69349/10	1.4961	2.4803	0.6693
BTRJL69310	JL69310	-	2.4803	0.6693*
BTRLM29748/10	A-81 LM29748/10	1.5	2.5625	0.71
BTRLM29749	LM29749	1.5	-	-
BTRLM29710	LM29710	-	2.5625	0.71*
BTRLM501349	LM501349	1.625	-	-
BTRLM501310	LM501310	-	2.891	0.77*
BTRLM102949	LM102949	1.7812	-	-
BTRLM102949/10	A-80 LM102949/10	1.7812	2.891	0.77
BTRLM102910	LM102910	-	2.891	0.77*
BTRLM603049	LM603049	1.7812	-	-
BTRLM603011	LM603011	-	3.0625	0.7812*
BTRLM603049/11	A-37 LM603049/11	1.7812	3.0625	0.7812
BTRLM603049/12	A-36 LM603049/12	1.7812	3.0625	0.8437
BTRJLM104948	JLM104948	1.9685	-	-
BTRLM104949	LM104949	2	-	-
BTRJLM104910	JLM104910	-	3.2283	.8465*
BTRLM104911	LM104911	-	3.2283	0.85*

DISC & HARROW BEARINGS

Disc & Harrow Bearings feature a triple lip seal because they are typically used in dusty, dirty environments.

POWER TRANSMISSION

CYLINDRICAL OUTER RACE • NON-GREASABLE



Part #	Bearing #	Shaft Size	Bearing OD	Width of Inner Race	Width of Outer Race
BW208PP5	W208PP5	1 1/8 SQUARE	3.150	1.438	0.709
BW208PP8	W208PP8	1 1/8 SQUARE	3.150	1.438	1.188
BW208PP10	W208PP10	1.501 ROUND	3.150	1.688	0.827
BW211PP3	W211PP3	1 1/2 SQUARE	3.937	1.312	1.312

SPHERICAL OUTER RACE • NON-GREASABLE



Part #	Bearing #	Shaft Size	Bearing OD	Width of Inner Race	Width of Outer Race
BW208PPB5	W208PPB5	1 1/8 SQUARE	3.15	1.438	0.709
BW208PPB6	W208PPB6	1 SQUARE	3.15	1.438	0.709
BW208PPB7	W208PPB7	1.188 ROUND	3.15	1.188	0.709
BW208PPB8	W208PPB8	1 1/8 SQUARE	3.15	1.438	1.188
BW208PPB12	W208PPB12	1 1/8 SQUARE	3.376	1.438	1.188
BW209PPB2	W209PPB2	1.772 ROUND	3.347	1.188	1.188
BW209PPB4	W209PPB4	1.535 ROUND	3.347	1.188	1.188
BW209PPB5	W209PPB5	1 1/4 SQUARE	3.347	1.438	1.188
BW210PPB2	W210PPB2	1.938 ROUND	3.543	1.188	1.188
BW210PPB4	W210PPB4	1 1/8 SQUARE	3.543	1.188	1.188
BW210PPB5	W210PPB5	1.785 ROUND	3.543	1.188	1.188

SPHERICAL OUTER RACE • GREASABLE

Part #	Bearing #	Shaft Size	Bearing OD	Width of Inner Race	Width of Outer Race
BGW208PPB5	GW208PPB5	1 1/8 SQUARE	3.150	1.438	0.827
BGW208PPB8	GW208PPB8	1 1/8 SQUARE	3.150	1.438	1.188
BGW209PPB2	GW209PPB2	1.772 ROUND	3.347	1.188	1.188
BGW209PPB4	GW209PPB4	1.535 ROUND	3.347	1.188	1.188
BGW209PPB5	GW209PPB5	1 1/4 SQUARE	3.347	1.438	1.188
BGW209PPB11	GW209PPB11	1.781 ROUND	3.347	1.438	0.866
BGW210PPB4	GW210PPB4	1 1/8 SQUARE	3.543	1.188	1.188
BGW211PPB2	GW211PPB2	2 3/16 ROUND	3.937	1.312	1.312
BGW211PPB3	GW211PPB3	1 1/2 SQUARE	3.937	1.312	1.312

4 BOLT FLANGED • NON-GREASABLE

Part #	Bearing #	Shaft Size	Bolt Center to Center
BFD209R1-3/4	FD209R1-3/4	1 3/4 SQUARE	3.536
BFD209RA	FD209RA/ST491A	1 3/4 ROUND	3.536

Part #	Bearing #	Shaft Size	Bolt Center to Center
BFD209RE	FD209RE/ST491B	1 1/2 ROUND	3.536
BFD209RK	FD209RK	1 1/4 SQUARE	3.536

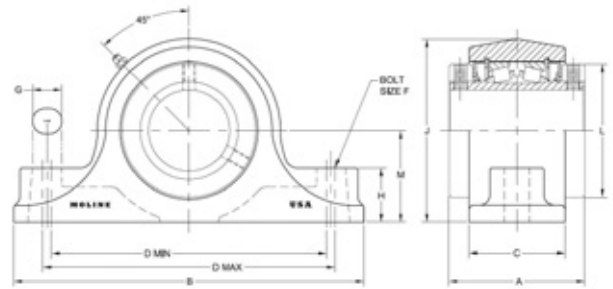
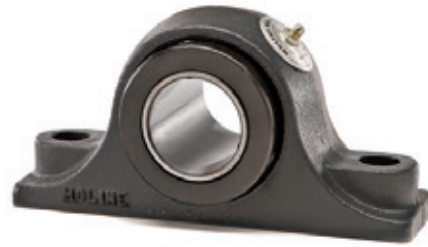
TYPE E TAPERED ROLLER BEARINGS



MOLINE BEARING C^o

FEATURES OF MOLINE TYPE E TAPERED ROLLER BEARINGS WITH TIMKEN[®] TAPERED ROLLER BEARINGS

- Available in shaft sizes from 1 3/16" to 7", and 35mm to 180mm
- Easy installation and maintenance
- Dimensionally interchangeable with comparable competitive Type E units
- Timken[®] DEE tapered roller bearing inserts which give higher radial and thrust loads than the competition
- Rugged housings are made in the USA of Class 30 cast iron
- Custom machining and design is available.

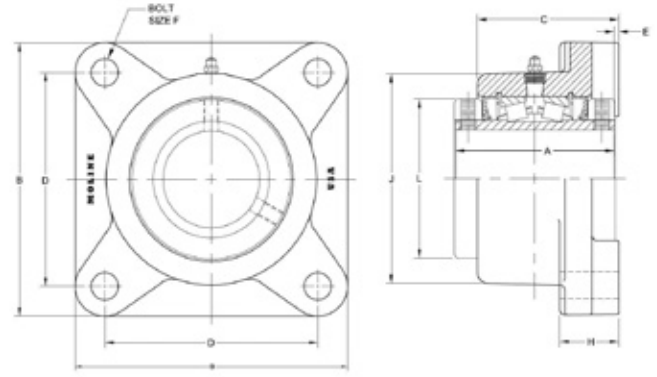


2 BOLT PILLOW BLOCKS

		DIMENSIONS (INCHES)												
SHAFT SIZE	MOLINE PART #	A	B	C	MIN D	CENTER TO CENTER D	MAX D	F	G	H	J	L	M	WEIGHT LBS.
1 3/16 1 1/4"	19321103 19321104	2 3/4	6	1 7/8	4 5/8	4 3/4	4 7/8	38	19 3/2	7/8	3	2 1/4	1 1/2	4
1 3/8 1 7/16 35 MM	19321106 19321107 19321035	3	7 3/8	2 1/8	5	5 1/2	6	12	1 1/8	1 1/8	3 7/8	2 3/4	1 7/8	6.9
1 1/2 1 5/8 1 11/16 40 MM	19321108 19321110 19321111 19321040	3 3/8	7 7/8	2 3/8	5 5/8	6 1/16	6 1/2	12	1 1/16	1 1/4	4 1/4	3 3/16	2 1/8	9.5
1 3/4 1 7/8 1 15/16 2 45 MM 50 MM	19321112 19321114 19321115 19321200 19321045 19321050	3 1/2	8 7/8	2 1/2	6 1/8	6 11/16	7 1/4	58	1 5/16	1 5/16	4 1/2	3 3/8	2 1/4	11
2 3/16 55 MM	19321203 19321055	3 3/4	9 5/8	2 5/8	6 11/16	7 3/8	8	58	1 7/16	1 1/2	5	3 3/4	2 1/2	14
2 1/4 2 7/16 2 1/2 60 MM 65 MM	19321204 19321207 19321208 19321060 19321065	4	10 1/2	2 7/8	7 1/8	7 7/8	8 5/8	1 1/2	7/8	1 5/8	5 11/16	4	2 3/4	19
2 11/16 2 3/4 2 15/16 3 70 MM 75 MM	19321211 19321212 19321215 19321300 19321070 19321075	4 1/2	12	3	7 7/8	8 13/16	9 3/4	3/4	1 13/16	1 7/8	6 5/16	4 11/16	3 1/8	26
3 3/16 3 1/4 3 7/16 3 1/2 80 MM 85 MM 90 MM	19321303 19321304 19321307 19321308 19321080 19321085 19321090	5	14	3 5/8	9 3/4	10 5/8	11 1/2	7/8	1 7/8	2 1/4	7 1/2	5 15/16	3 3/4	44

TYPE E TAPERED ROLLER BEARINGS

POWER TRANSMISSION



4 BOLT FLANGES

		DIMENSIONS (INCHES)									
SHAFT SIZE	MOLINE PART #	A	B	C	D	E	F	H	J	L	WEIGHT LBS.
1 3/16 1 1/4	19311103 19311104	2 3/4	3 3/4	2 11/32	2 7/8	1/16	3/8	1	2 15/16	2 1/4	4.5
1 3/8 1 7/16 35MM	19311106 19311107 19311035	3	4 5/8	2 19/32	3 1/2	1/16	1/2	1 1/16	3 7/8	2 3/4	6.7
1 1/2 1 5/8 1 11/16 40MM	19311108 19311110 19311111 19311040	3 3/8	5 3/8	2 31/32	4 1/8	1/8	1/2	1 3/16	4 1/4	3 1/8	10
1 3/4 1 7/8 1 15/16 2 45MM 50MM	19311112 19311114 19311115 19311200 19311045 19311050	3 1/2	5 5/8	3 3/32	4 3/8	1/8	1/2	1 3/16	4 1/2	3 3/8	12
2 3/16 55MM	19311203 19311055	3 3/4	6 1/4	3 9/32	4 7/8	1/8	5/8	1 3/8	4 7/8	3 3/4	16
2 1/4 2 7/16 2 1/2 60MM 65MM	19311204 19311207 19311208 19311060 19311065	4	6 7/8	3 9/16	5 3/8	3/16	5/8	1 1/2	5 3/4	4	21

Many more sizes and styles available. Call us with your needs!

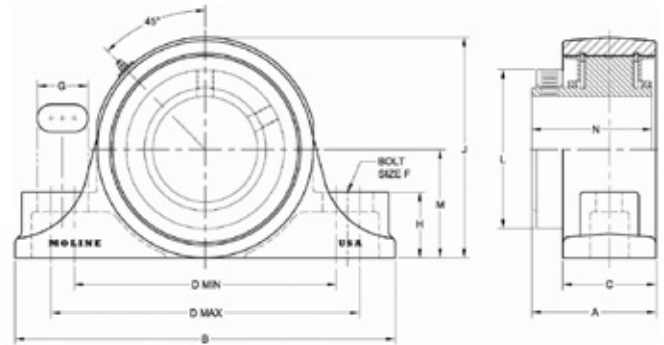
M2000 TAPERED ROLLER BEARINGS



MOLINE BEARING C^o

FEATURES OF MOLINE M2000 SPHERICAL ROLLER BEARINGS WITH SKF® OR TIMKEN™ ROLLER BEARINGS

- Available in shaft sizes from 1 3/16 to 5"; and 40 to 130mm
- +/- 1 1/2° misalignment capacity
- Available in Expansion (red tag) and Non-Expansion (yellow tag) styles
- Expansion units have .100" capacity
- Will accommodate moderate thrust loads
- Permits angular misalignment without loss of capacity
- Custom machining and design is available upon request, please call the factory for more information
- Housings are made in the USA of Class 30 cast iron



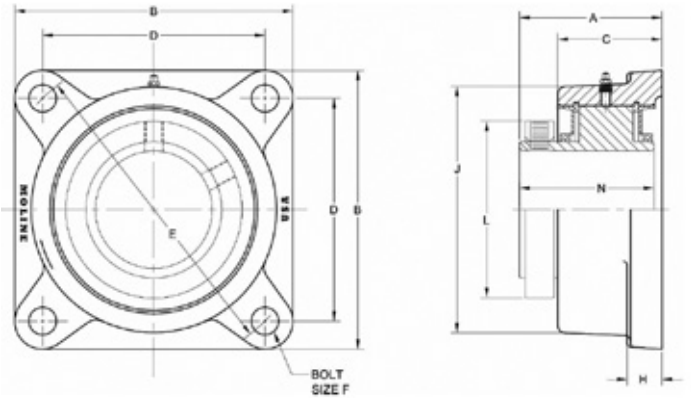
2 BOLT PILLOW BLOCKS

MOLINE PART #			DIMENSIONS (INCHES)												WEIGHT LBS.	
SHAFT SIZE	EXP	NON-EXP	A	B	C	MIN D	CENTER TO CENTER D	MAX D	F	G	H	J	L	M		N
1 3/16	19121103	19221103														6.5
1 1/4	19121104	19221104														6.5
1 7/16	19121107	19221107	2 7/8	6 7/8	2 3/16	4 11/16	5	5 5/16	1/2	15/16	1 3/16	3 7/8	2 1/2	1 7/8	2 3/4	6.9
1 1/2	19121108	19221108														6.9
1 11/16	19121111	19221111														
1 3/4	19121112	19221112														
40MM	19121040	19221040	3	7 3/8	2 3/16	5 3/16	5 1/2	5 13/16	1/2	15/16	1 5/16	4 1/4	2 5/8	2 1/8	2 7/8	8.1
45MM	19121045	19221045														
1 15/16	19121115	19221115														
2	19121200	19221200	3	8 3/8	2 3/16	5 15/16	6 1/4	6 9/16	5/8	1	1 3/8	4 9/16	2 7/8	2 1/4	2 7/8	9.1
50MM	19121050	19221050														
2 3/16	19121203	19221203														
2 1/4	19121204	19221204	3 1/4	8 7/8	2 1/2	6 7/16	6 3/4	7 1/16	5/8	1	1 5/8	5	3 1/4	2 1/2	3 1/8	11.8
55MM	19121055	19221055														
2 7/16	19121207	19221207														
2 1/2	19121208	19221208														
60MM	19121060	19221060	3 1/2	9 1/4	2 3/4	6 13/16	7 1/8	7 7/16	5/8	1	1 3/4	5 11/16	4	2 3/4	3 3/8	16.2
65MM	19121065	19221065														
2 11/16	19121211	19221211														
2 3/4	19121212	19221212														
2 15/16	19121215	19221215														
3	19121300	19221300	3 13/16	10 1/2	2 13/16	7 13/16	8 1/8	8 7/16	3/4	1 1/8	2 1/4	6 7/16	4 3/8	3 1/4	3 5/8	22.1
70MM	19121070	19221070														
75MM	19121075	19221075														
3 3/16	19121303	19221303														
3 7/16	19121307	19221307														
3 1/2	19121308	19221308	4 1/4	13	3 1/4	9 1/2	10	10 1/2	7/8	1 7/16	2 1/4	7 1/2	5 1/8	3 3/4	4 13/2	31.6
80MM	19121080	19221080														
85MM	19121085	19221085														
90MM	19121090	19221090														
3 11/16	19121311	19221311														
3 15/16	19121315	19221315														
4	19121400	19221400	4 3/4	14 1/2	3 9/16	10	10 7/8	11 3/4	1	1 15/16	2 1/2	8 3/8	6	4 1/8	4 19/32	45
100MM	19121100	19221100														

Many more sizes and styles available. Call us with your needs!

M2000 TAPERED ROLLER BEARINGS

POWER TRANSMISSION



4 BOLT FLANGES

SHAFT SIZE	MOLINE PART #		DIMENSIONS (INCHES)										WEIGHT LBS.
	EXP	NON-EXP	A	B	C	D	E	F	H	J	L	N	
1 3/16	19111103	19211103											
1 1/4	19111104	19211104											
1 7/16	19111107	19211107	2 15/16	4 5/8	2 1/4	3 17/32	5	1 1/2	3/4	3 7/8	2 1/2	2 3/4	7
1 1/2	19111108	19211108											
1 11/16	19111111	19211111											
1 3/4	19111112	19211112											
40MM	19111040	19211040	3 1/16	5	2 1/4	3 57/64	5 1/2	1 1/2	3/4	4 1/4	2 5/8	2 7/8	10
45MM	19111045	19211045											
1 15/16	19111115	19211115											
2	19111200	19211200	3 1/32	5 1/4	2 1/4	4 1/16	5 3/4	1 1/2	3/4	4 1/2	2 7/8	2 7/8	10.5
50MM	19111050	19211050											
2 3/16	19111203	19211203											
2 1/4	19111204	19211204	3 9/32	5 7/8	2 7/16	4 1/2	6 3/8	5/8	3/4	5	3 1/4	3 1/8	12.5
55MM	19111055	19211055											
2 7/16	19111207	19211207											
2 1/2	19111208	19211208											
60MM	19111060	19211060	3 9/16	6 1/8	2 3/4	4 25/32	6 3/4	5/8	1	5 3/4	4	3 3/8	16.5
65MM	19111065	19211065											
2 11/16	19111211	19211211											
2 3/4	19111212	19211212											
2 15/16	19111215	19211215											
3	19111300	19211300	3 15/16	7 1/4	2 7/8	5 9/16	7 7/8	3/4	1	6 5/8	4 3/8	3 5/8	25
70MM	19111070	19211070											
75MM	19111075	19211075											
3 3/16	19111303	19211303											
3 7/16	19111307	19211307											
3 1/2	19111308	19211308											
80MM	19111080	19211080	4 11/32	8 3/8	3 1/4	6 23/32	9 1/2	3/4	1 1/8	7 5/8	5 1/8	4 1/32	35
85MM	19111085	19211085											
90MM	19111090	19211090											
3 11/16	19111311	19211311											
3 15/16	19111315	19211315											
4	19111400	19211400	4 7/8	9 1/2	3 9/16	7 19/32	10 3/4	7/8	1 3/16	8 3/8	6	4 19/32	48
100MM	19111100	19211100											

Many more sizes and styles available. Call us with your needs!

HEX BORE BEARINGS & SPECIAL AG BEARINGS

HEX BORE BEARINGS

CYLINDRICAL OUTER RACE



Part #	Bearing #	Bore	OD	Inner Race Thickness	Outer Race Thickness
B206KRR6	206KRR6	1	2.441	0.940	0.630

SPHERICAL OUTER RACE



Part #	Bearing #	Bore	OD	Inner Race Thickness	Outer Race Thickness
B205KRRB2	205KRRB2	7/8	2.047	1.000	0.590
B206KRRB6	206KRRB6	1	2.441	0.940	0.630
BF207KRRB9	207KRRB9	1 1/8	2.835	1.484	0.669
B207KRRB12	207KRRB12	1 1/8	2.835	0.980	0.660

SPECIAL AG BEARINGS



Part #	Bearing #	Fafnir Part#	John Deere Part #	Bore Size	OD	Inner Race Width	Outer Race Width	Applications
BF16SF32	16SF32	-	-	1.000	2.000	0.688	0.625	FLANGED BEARING FOR MAYRATH HAY ELEVATORS.
BF203KRR2	203KRR2	203KRR2	JD9214	0.630	1.575	0.720	0.472	PLANTERS, GAUGE WHEEL, ROTARY HOES, ETC.
B203KRR3	203KRR3	203KRR3	JD8646	0.625	2.000	0.591	0.591	-
B204KRR8	204KRR8	204KRR8	-	0.630	1.781	0.610	0.610	-
B99502H	99502H*	-	JD8570	0.625	1.375	0.428	0.428	-
BZ9504AB	Z9504AB	P204RR6	JD9296	0.750	1.781	0.610	0.610	CULTIVATORS, GAUGE WHEELS, PLANTERS, ETC.

*2-3 day lead time.



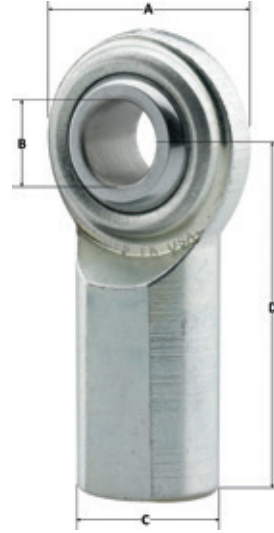
FEMALE RIGHT HAND THREAD • NO ZERK

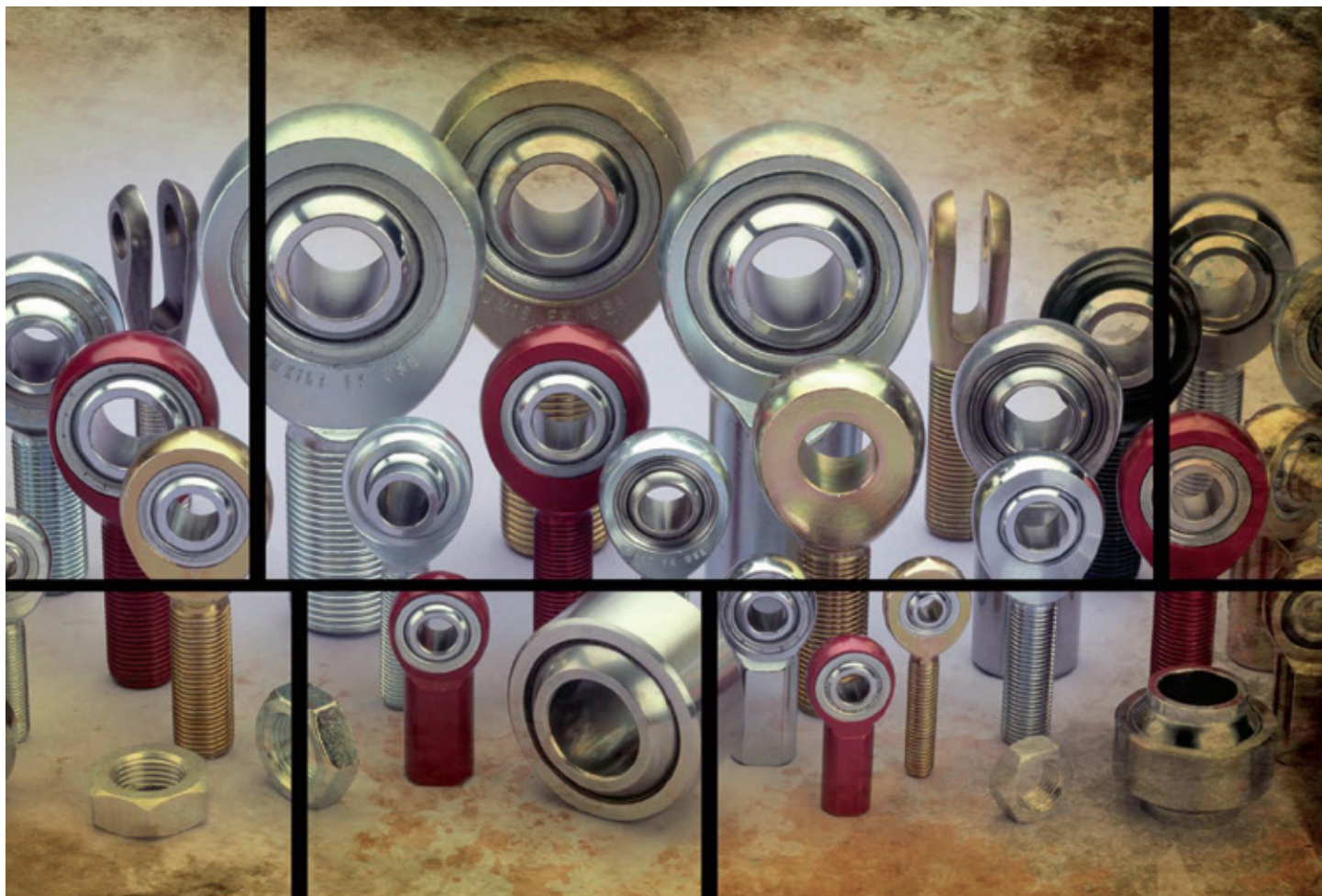
Dimensions

Size (B)	Thread Size	A	C	D
1/4	1/4-28	0.750	0.468	1.312
3/8	3/8-24	1.000	0.687	1.625

The CF series Rod Ends have a body made of low carbon steel which is zinc plated. The ball is made from 52100 bearing steel with a minimum Rockwell hardness of C56 and it is hard chrome plated.

Part #	FK Part #	Bearing Size	Thread
BRECF04	CF4	1/4	1/4-28
BRECF06	CF6	3/8	3/8-24





We keep the rod ends on the previous page in stock but we also have many other standard and specialty rod ends available. The following types and sizes of rod ends are available in 3-4 days:

Low Carbon Steel Female Left and Right Hand Thread: 3/16 to 3/4

Low Carbon Steel Male Left and Right Hand Thread: 3/16 to 3/4

Low Carbon Steel Female Left and Right Hand Thread with Male Stud: 3/16 to 3/4

Low Carbon Steel Male Left and Right Hand Thread with Male Stud: 3/16 to 3/4

Stainless Steel Female Left and Right Hand Thread: 3/16 to 3/4

Stainless Steel Male Left and Right Hand Thread: 3/16 to 3/4

Alloy Steel Female Left and Right Hand Thread: 3/16 to 1

Alloy Steel Male Left and Right Hand Thread: 3/16 to 1

Low Carbon Steel Rod Ends are available in male and female left and right hand threads with races of: Alloy Steel in 1/8 to 1, Fiber Reinforced Engineered Plastic in 3/16 to 3/4, Brass in 3/16 to 3/4, Sintered Bronze in 3/16 to 3/4

Aluminum Body Alloy Steel Race Male and Female Left and Right Hand Thread: 3/16 to 3/4

Nearly all of these rod ends can be supplied with a grease fitting or with a Teflon liner.

*Please note the ball on each of these is made of 52100 bearing steel and hard chrome plated.

MASTERDRIVE® CAST IRON PULLEYS

Masterdrive offers high quality sheaves, bushings, and jaw couplings. We stock a broad range of Masterdrive products.

BORED-TO SIZE PULLEYS

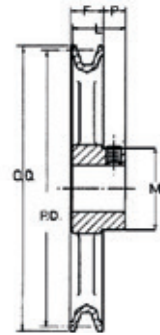
Bored-to-size pulleys are light duty cast iron pulleys. The AK pulleys are for 3L or A belts. The BK pulleys are for A or B belts.

STANDARD KEY DIMENSIONS

Shaft Dia.	Key Seat W X D
1/2	NONE
5/8-7/8	3/16 X 3/32
15/16-1 1/4	1/4 X 1/8
1 5/16-1 3/8	5/16 X 5/32
1 7/16-1 3/4	3/8 X 3/16

SINGLE GROOVE

Part #	Masterdrive Part #	OD	F	P	M
EQMAK1708	AK17 X 1/2	1.75	21/32	7/16	1.6
EQMAK1710	AK17 X 5/8	1.75	21/32	7/16	1.6
EQMAK2008	AK20 X 1/2	2	21/32	7/16	1.6
EQMAK2010	AK20 X 5/8	2	21/32	7/16	1.6
EQMAK2012	AK20 X 3/4	2	21/32	7/16	1.6
EQMAK2110	AK21 X 5/8	2.1	21/32	7/16	1.6
EQMAK2208	AK22 X 1/2	2.2	21/32	7/16	1.6
EQMAK2210	AK22 X 5/8	2.2	21/32	7/16	1.6
EQMAK2212	AK22 X 3/4	2.2	21/32	7/16	1.6
EQMAK2310	AK23 X 5/8	2.3	21/32	7/16	1.6
EQMAK2312	AK23 X 3/4	2.3	21/32	7/16	1.6
EQMAK2508	AK25 X 1/2	2.5	21/32	7/16	1.6
EQMAK2510	AK25 X 5/8	2.5	21/32	7/16	1.6
EQMAK2512	AK25 X 3/4	2.5	21/32	7/16	1.6
EQMAK2514	AK25 X 7/8	2.5	21/32	7/16	1.6
EQMAK2708	AK27 X 1/2	2.7	21/32	7/16	1.6
EQMAK2710	AK27 X 5/8	2.7	21/32	7/16	1.6
EQMAK2712	AK27 X 3/4	2.7	21/32	7/16	1.6
EQMAK2714	AK27 X 7/8	2.7	21/32	7/16	1.6
EQMAK2808	AK28 X 1/2	2.8	21/32	7/16	1.6
EQMAK2810	AK28 X 5/8	2.8	21/32	7/16	1.6
EQMAK2812	AK28 X 3/4	2.8	21/32	7/16	1.6
EQMAK2814	AK28 X 7/8	2.8	21/32	7/16	1.6
EQMAK2816	AK28 X 1	2.8	21/32	7/16	1.7
EQMAK3008	AK30 X 1/2	3.05	21/32	7/16	1.6
EQMAK3010	AK30 X 5/8	3.05	21/32	7/16	1.6
EQMAK3012	AK30 X 3/4	3.05	21/32	7/16	1.6
EQMAK3014	AK30 X 7/8	3.05	21/32	7/16	1.6
EQMAK3016	AK30 X 1	3.05	21/32	7/16	1.7
EQMAK3210	AK32 X 5/8	3.25	21/32	7/16	1.6
EQMAK3212	AK32 X 3/4	3.25	21/32	7/16	1.6
EQMAK3408	AK34 X 1/2	3.45	21/32	7/16	1.6
EQMAK3410	AK34 X 5/8	3.45	21/32	7/16	1.6



Part #	Masterdrive Part #	OD	F	P	M
EQMAK3412	AK34 X 3/4	3.45	21/32	7/16	1.6
EQMAK3414	AK34 X 7/8	3.45	21/32	7/16	1.6
EQMAK3416	AK34 X 1	3.45	21/32	7/16	1.7
EQMAK3908	AK39 X 1/2	3.75	3/4	15/32	1.6
EQMAK3910	AK39 X 5/8	3.75	3/4	15/32	1.6
EQMAK3912	AK39 X 3/4	3.75	3/4	15/32	1.6
EQMAK3914	AK39 X 7/8	3.75	3/4	15/32	1.6
EQMAK3916	AK39 X 1	3.75	3/4	15/32	1.7
EQMAK4108	AK41 X 1/2	3.95	3/4	15/32	1.6
EQMAK4110	AK41 X 5/8	3.95	3/4	15/32	1.6
EQMAK4112	AK41 X 3/4	3.95	3/4	15/32	1.6
EQMAK4114	AK41 X 7/8	3.95	3/4	15/32	1.6
EQMAK4116	AK41 X 1	3.95	3/4	15/32	1.7
EQMAK4410	AK44 X 5/8	4.25	3/4	15/32	1.6
EQMAK4412	AK44 X 3/4	4.25	3/4	15/32	1.6
EQMAK4414	AK44 X 7/8	4.25	3/4	15/32	1.6
EQMAK4416	AK44 X 1	4.25	3/4	15/32	1.7
EQMAK4608	AK46 X 1/2	4.45	3/4	15/32	1.6
EQMAK4610	AK46 X 5/8	4.45	3/4	15/32	1.6
EQMAK4612	AK46 X 3/4	4.45	3/4	15/32	1.6
EQMAK4614	AK46 X 7/8	4.45	3/4	15/32	1.6
EQMAK4616	AK46 X 1	4.45	3/4	15/32	1.7
EQMAK5110	AK51 X 5/8	4.95	3/4	15/32	1.6
EQMAK5112	AK51 X 3/4	4.95	3/4	15/32	1.6

BORED-TO SIZE PULLEYS

SINGLE GROOVE

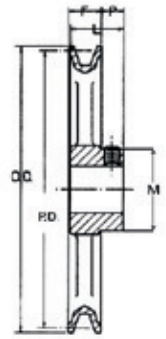
Part #	Masterdrive Part #	OD	F	P	M
EQMAK7110	AK71 X 5/8	6.95	3/4	15/32	1.6
EQPMB2008	MB20 X 1/2*	2.00	7/8	5/8	1.4
EQPMB2010	MB20 X 5/8*	2.00	7/8	5/8	1.4
EQPMB2012	MB20 X 3/4*	2.00	7/8	5/8	1.4
EQMBK2408	BK24 X 1/2	2.40	13/16	13/32	1.6
EQMBK2410	BK24 X 5/8	2.40	13/16	13/32	1.6
EQMBK2412	BK24 X 3/4	2.40	13/16	13/32	1.6
EQMBK2414	BK24 X 7/8	2.40	13/16	13/32	1.6
EQMBK2508	BK25 X 1/2	2.50	13/16	13/32	1.6
EQMBK2510	BK25 X 5/8	2.50	13/16	13/32	1.6
EQMBK2512	BK25 X 3/4	2.50	13/16	13/32	1.6
EQMBK2514	BK25 X 7/8	2.50	13/16	13/32	1.6
EQMBK2516	BK25 X 1	2.50	13/16	13/32	1.6
EQMBK2610	BK26 X 5/8	2.60	13/16	13/32	1.6
EQMBK2612	BK26 X 3/4	2.60	13/16	13/32	1.6
EQMBK2708	BK27 X 1/2	2.70	13/16	13/32	1.6
EQMBK2710	BK27 X 5/8	2.70	13/16	13/32	1.6
EQMBK2712	BK27 X 3/4	2.70	13/16	13/32	1.6
EQMBK2714	BK27 X 7/8	2.70	13/16	13/32	1.6
EQMBK2716	BK27 X 1	2.70	13/16	13/32	1.7
EQMBK2808	BK28 X 1/2	2.95	13/16	13/32	1.6
EQMBK2810	BK28 X 5/8	2.95	13/16	13/32	1.6
EQMBK2812	BK28 X 3/4	2.95	13/16	13/32	1.6
EQMBK2814	BK28 X 7/8	2.95	13/16	13/32	1.6
EQMBK2816	BK28 X 1	2.95	13/16	13/32	1.7
EQMBK2818	BK28 X 1 1/8	2.95	13/16	13/32	1.9
EQMBK3008	BK30 X 1/2	3.15	13/16	13/32	1.6
EQMBK3010	BK30 X 5/8	3.15	13/16	13/32	1.6
EQMBK3012	BK30 X 3/4	3.15	13/16	13/32	1.6
EQMBK3014	BK30 X 7/8	3.15	13/16	13/32	1.6
EQMBK3016	BK30 X 1	3.15	13/16	13/32	1.7
EQMBK3018	BK30 X 1 1/8	3.15	13/16	13/32	1.9
EQMBK3208	BK32 X 1/2	3.35	13/16	13/32	1.6
EQMBK3210	BK32 X 5/8	3.35	13/16	13/32	1.6
EQMBK3212	BK32 X 3/4	3.35	13/16	13/32	1.6
EQMBK3214	BK32 X 7/8	3.35	13/16	13/32	1.6
EQMBK3216	BK32 X 1	3.35	13/16	13/32	1.7
EQMBK3408	BK34 X 1/2	3.55	7/8	13/32	1.6
EQMBK3410	BK34 X 5/8	3.55	7/8	13/32	1.6

Part #	Masterdrive Part #	OD	F	P	M
EQMBK3412	BK34 X 3/4	3.55	7/8	13/32	1.6
EQMBK3414	BK34 X 7/8	3.55	7/8	13/32	1.6
EQMBK3416	BK34 X 1	3.55	7/8	13/32	1.7
EQMBK3418	BK34 X 1 1/8	3.55	7/8	13/32	1.9
EQMBK3610	BK36 X 5/8	3.75	7/8	13/32	1.6
EQMBK3612	BK36 X 3/4	3.75	7/8	13/32	1.6
EQMBK3614	BK36 X 7/8	3.75	7/8	13/32	1.6
EQMBK3616	BK36 X 1	3.75	7/8	13/32	1.7
EQMBK3618	BK36 X 1 1/8	3.75	7/8	13/32	1.9
EQMBK4008	BK40 X 1/2	3.95	7/8	13/32	1.6
EQMBK4010	BK40 X 5/8	3.95	7/8	13/32	1.6
EQMBK4012	BK40 X 3/4	3.95	7/8	13/32	1.6
EQMBK4014	BK40 X 7/8	3.95	7/8	13/32	1.6
EQMBK4016	BK40 X 1	3.95	7/8	13/32	1.7
EQMBK4018	BK40 X 1 1/8	3.95	7/8	13/32	1.9
EQMBK4508	BK45 X 1/2	4.25	7/8	13/32	1.6
EQMBK4510	BK45 X 5/8	4.25	7/8	13/32	1.6
EQMBK4512	BK45 X 3/4	4.25	7/8	13/32	1.6
EQMBK4514	BK45 X 7/8	4.25	7/8	13/32	1.6
EQMBK4516	BK45 X 1	4.25	7/8	13/32	1.7
EQMBK4518	BK45 X 1 1/8	4.25	7/8	13/32	1.9
EQMBK4710	BK47 X 5/8	4.45	7/8	13/32	1.6
EQMBK4712	BK47 X 3/4	4.45	7/8	13/32	1.6
EQMBK4714	BK47 X 7/8	4.45	7/8	13/32	1.6
EQMBK5010	BK50 X 5/8	4.75	7/8	13/32	1.6
EQMBK5012	BK50 X 3/4	4.75	7/8	13/32	1.6
EQMBK5014	BK50 X 7/8	4.75	7/8	13/32	1.6
EQMBK5016	BK50 X 1	4.75	7/8	13/32	1.7
EQMBK5018	BK50 X 1 1/8	4.75	7/8	13/32	1.9
EQMBK5210	BK52 X 5/8	4.95	7/8	13/32	1.6
EQMBK5212	BK52 X 3/4	4.95	7/8	13/32	1.6
EQMBK5216	BK52 X 1	4.95	7/8	13/32	1.7
EQMBK5512	BK55 X 3/4	5.25	7/8	13/32	1.6
EQMBK5516	BK55 X 1	5.25	7/8	13/32	1.7
EQMBK6010	BK60 X 5/8	5.75	7/8	13/32	1.6
EQMBK6012	BK60 X 3/4	5.75	7/8	13/32	1.6
EQMBK6014	BK60 X 7/8	5.75	7/8	13/32	1.6
EQMBK6016	BK60 X 1	5.75	7/8	13/32	1.7
EQMBK14016	BK140 X 1	13.75	7/8	21/32	1.7

*These sizes are only available in Maska Brand.

BORED-TO SIZE PULLEYS

DOUBLE GROOVE



Part #	Masterdrive Part #	OD	F	P	M
EQM2AK2814	2AK28 X 7/8	2.85	1 3/8	15/32	1.9
EQM2AK3210	2AK32 5/8	3.25	1 3/8	15/32	1.9
EQM2BK2510	2BK25 X 5/8	2.50	1 3/4	15/32	1.6
EQM2BK2512	2BK25 X 3/4	2.50	1 3/4	15/32	1.6
EQM2BK2514	2BK25 X 7/8	2.50	1 3/4	15/32	1.6
EQM2BK2810	2BK28 X 5/8	2.95	1 3/4	15/32	1.9
EQM2BK2812	2BK28 X 3/4	2.95	1 3/4	15/32	1.9
EQM2BK2814	2BK28 X 7/8	2.95	1 3/4	15/32	1.9
EQM2BK2816	2BK28 X 1	2.95	1 3/4	15/32	1.9
EQM2BK2818	2BK28 X 1 1/8	2.95	1 3/4	15/32	1.9
EQM2BK3010	2BK30 X 5/8	3.15	1 3/4	15/32	1.9
EQM2BK3012	2BK30 X 3/4	3.15	1 3/4	15/32	1.9
EQM2BK3014	2BK30 X 7/8	3.15	1 3/4	15/32	1.9
EQM2BK3018	2BK30 X 1 1/8	3.15	1 3/4	15/32	1.9
EQM2BK3022	2BK30 X 1 3/8	3.15	1 3/4	15/32	2.4
EQM2BK3410	2BK34 X 5/8	3.55	1 3/4	15/32	1.6
EQM2BK3414	2BK34 X 7/8	3.55	1 3/4	15/32	1.6
EQM2BK3416	2BK34 X 1	3.55	1 3/4	15/32	1.9
EQM2BK3418	2BK34 X 1 1/8	3.55	1 3/4	15/32	1.9
EQM2BK3618	2BK36 X 1 1/8	3.75	1 3/4	15/32	1.9
EQM2BK3622	2BK36 X 1 3/8	3.75	1 3/4	15/32	2.4

Many other sizes of bored-to-size pulleys are available in 1-2 days.

H BUSHED PULLEYS

SINGLE GROOVE

H Bushed Pulleys are light duty cast iron pulleys and are used with a 2 bolt H bushing. The AK pulleys are for 3L or A belts. The BK pulleys are for A or B belts.



Part #	Masterdrive Part #	OD	Width*
EQMAK30H	AK30H	3.05	1 5/8
EQMAK32H	AK32H	3.30	1 5/8
EQMAK34H	AK34H	3.45	1 5/16
EQMAK39H	AK39H	3.75	1 5/16
EQMAK41H	AK41H	3.95	1 5/16
EQMAK44H	AK44H	4.25	1 5/16
EQMAK46H	AK46H	4.45	1 5/16
EQMAK49H	AK49H	4.75	1 5/16
EQMAK51H	AK51H	4.95	1 5/16
EQMAK54H	AK54H	5.25	1 5/16
EQMAK56H	AK56H	5.45	1 5/16
EQMAK59H	AK59H	5.75	1 5/16
EQMAK61H	AK61H	5.95	1 5/16
EQMAK64H	AK64H	6.25	1 5/16
EQMAK66H	AK66H	6.45	1 5/16
EQMAK69H	AK69H	6.75	1 5/16
EQMAK71H	AK71H	6.95	1 5/16
EQMAK74H	AK74H	7.25	1 5/16
EQMAK79H	AK79H	7.75	1 5/16
EQMAK84H	AK84H	8.25	1 5/16
EQMAK94H	AK94H	9.25	1 5/16
EQMAK104H	AK104H	10.25	1 5/16
EQMAK114H	AK114H	11.25	1 5/16
EQMAK124H	AK124H	12.25	1 5/16
EQMBK30H	BK30H	3.15	1 3/4
EQMBK32H	BK32H	3.35	1 3/4
EQMBK34H	BK34H	3.55	1 3/4
EQMBK36H	BK36H	3.75	1 5/16

Part #	Masterdrive Part #	OD	Width*
EQMBK40H	BK40H	3.95	1 5/16
EQMBK45H	BK45H	4.25	1 5/16
EQMBK47H	BK47H	4.45	1 5/16
EQMBK50H	BK50H	4.75	1 5/16
EQMBK52H	BK52H	4.95	1 5/16
EQMBK55H	BK55H	5.25	1 5/16
EQMBK57H	BK57H	5.45	1 5/16
EQMBK60H	BK60H	5.75	1 5/16
EQMBK62H	BK62H	5.95	1 5/16
EQMBK65H	BK65H	6.25	1 5/16
EQMBK67H	BK67H	6.45	1 5/16
EQMBK70H	BK70H	6.75	1 3/8
EQMBK72H	BK72H	6.95	1 3/8
EQMBK75H	BK75H	7.25	1 3/8
EQMBK77H	BK77H	7.45	1 3/8
EQMBK80H	BK80H	7.75	1 3/8
EQMBK85H	BK85H	8.25	1 3/8
EQMBK90H	BK90H	8.75	1 3/8
EQMBK95H	BK95H	9.25	1 3/8
EQMBK100H	BK100H	9.75	1 3/8
EQMBK105H	BK105H	10.25	1 3/8
EQMBK110H	BK110H	10.75	1 3/8
EQMBK120H	BK120H	11.75	1 3/8
EQMBK130H	BK130H	12.75	1 3/8
EQMBK140H	BK140H	13.75	1 3/8
EQMBK150H	BK150H	14.75	1 3/8
EQMBK160H	BK160H	15.75	1 3/8
EQMBK190H	BK190H	18.75	1 3/8

*Width includes the bushing where applicable.

H BUSHED PULLEYS

DOUBLE GROOVE



Part #	Masterdrive Part #	OD	Width*
EQM2AK30H	2AK30H	3.05	2 5/8
EQM2AK32H	2AK32H	3.25	2 5/8
EQM2AK34H	2AK34H	3.45	2 3/16
EQM2AK39H	2AK39H	3.75	2 3/16
EQM2AK41H	2AK41H	3.95	1 3/4
EQM2AK44H	2AK44H	4.25	1 3/4
EQM2AK46H	2AK46H	4.45	1 3/4
EQM2AK49H	2AK49H	4.75	1 3/4
EQM2AK51H	2AK51H	4.95	1 3/4
EQM2AK54H	2AK54H	5.25	1 3/4
EQM2AK56H	2AK56H	5.45	1 3/4
EQM2AK59H	2AK59H	5.75	1 3/4
EQM2AK61H	2AK61H	5.95	1 3/4
EQM2AK64H	2AK64H	6.25	1 3/4
EQM2AK74H	2AK74H	7.25	1 3/4
EQM2AK84H	2AK84H	8.25	1 3/4
EQM2AK94H	2AK94H	9.25	1 3/4
EQM2AK104H	2AK104H	10.25	1 3/4
EQM2AK114H	2AK114H	11.25	1 3/4
EQM2AK124H	2AK124H	12.25	1 3/4
EQM2BK32H	2BK32H	3.35	2 5/8
EQM2BK34H	2BK34H	3.55	2 5/8

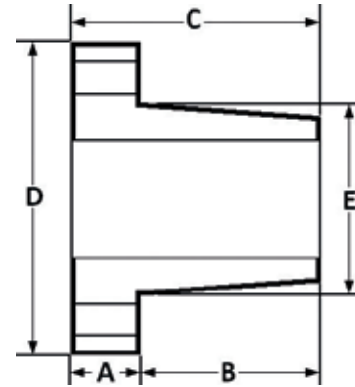
Part #	Masterdrive Part #	OD	Width*
EQM2BK36H	2BK36H	3.75	2 3/16
EQM2BK40H	2BK40H	3.95	2 3/16
EQM2BK45H	2BK45H	4.25	2 3/16
EQM2BK47H	2BK47H	4.45	1 3/4
EQM2BK50H	2BK50H	4.75	1 3/4
EQM2BK52H	2BK52H	4.95	1 3/4
EQM2BK55H	2BK55H	5.25	1 3/4
EQM2BK57H	2BK57H	5.45	1 3/4
EQM2BK60H	2BK60H	5.75	1 3/4
EQM2BK62H	2BK62H	5.95	1 3/4
EQM2BK65H	2BK65H	6.25	1 3/4
EQM2BK67H	2BK67H	6.45	1 3/4
EQM2BK70H	2BK70H	6.75	1 3/4
EQM2BK80H	2BK80H	7.75	1 3/4
EQM2BK90H	2BK90H	8.75	1 3/4
EQM2BK100H	2BK100H	9.75	1 3/4
EQM2BK110H	2BK110H	10.75	1 3/4
EQM2BK120H	2BK120H	11.75	1 3/4
EQM2BK130H	2BK130H	12.75	1 3/4
EQM2BK140H	2BK140H	13.75	1 3/4
EQM2BK160H	2BK160H	15.75	1 3/4
EQM2BK190H	2BK190H	18.75	1 3/4

*Width includes the bushing where applicable.

3 groove h bushed pulleys are available in 1-2 days in 3BK45H to 3BK190H.

H BUSHINGS

DIMENSIONS



Bushing	A	B	C	D	E	Bolts Required	Bolt Size
H*	11/32	1	1 11/32	2 1/2	1 5/8	2	1/4 X 1
H-STL**	1/4	1	1 1/4	2 1/2	1 5/8	2	1/4 X 3/4

*Standard H bushings are made out of powdered metal and include a set screw over the keyway.

**STL H bushings are optional in most sizes and are made out of steel. They don't include a set screw.

Bore Size	Key Seat
3/8**, 7/16**	NONE
1/2**, 9/16**	1/8 X 1/16
5/8, 11/16, 3/4, 13/16, 7/8	3/16 X 3/32
15/16, 1, 1 1/16, 1 1/8, 1 3/16, 1 1/4	1/4 X 1/8
1 5/16, 1 3/8	5/16 X 1/16*
1 7/16**, 1 1/2**	3/8 X 1/16*

*Shallow Key seat. Key stock supplied with bushing.

**These bushings are only available in steel.



Part #	Masterdrive Part #
EQMH07	H X 7/16
EQMH08	H X 1/2
EQMH09	H X 9/16
EQMH10	H X 5/8
EQMH11	H X 11/16
EQMH12	H X 3/4
EQMH13	H X 13/16
EQMH14	H X 7/8
EQMH15	H X 15/16
EQMH16	H X 1
EQMH17	H X 1 1/16
EQMH18	H X 1 1/8
EQMH19	H X 1 3/16
EQMH20	H X 1 1/4

Part #	Masterdrive Part #
EQMH22	H X 1 3/8
EQMH23	H X 1 7/16
EQMH24	H X 1 1/2
EQMMH14	H X 14MM
EQMMH15	H X 15MM
EQMMH16	H X 16MM
EQMMH17	H X 17MM
EQMMH18	H X 18MM
EQMMH20	H X 20MM
EQMMH22	H X 22MM
EQMMH24	H X 24MM
EQMMH25	H X 25MM
EQMMH28	H X 28MM
EQMMH30	H X 30MM

QD BUSHED PULLEYS

QD Bushed Sheaves are a heavy duty cast iron pulley and are used with 3 bolt bushings.



1 GROOVE WIDTH = 7/8" 1B34SH THRU 1B64SDS
AND 1" 1B66SDS THRU 1B300SF

2 GROOVE WIDTH = 1 3/4

3 GROOVE WIDTH = 2 1/2

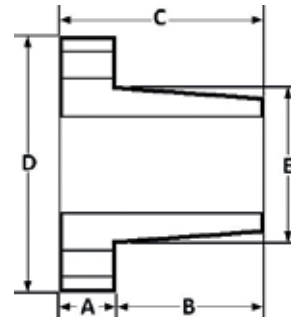
OD	Part #	Masterdrive Part #	Part #	Masterdrive Part #	Part #	Masterdrive Part #
3.75	EQM1B034	1B34SH	EQM2B034	2B34SH	EQM3B034	3B34SH
3.95	EQM1B036	1B36SH	EQM2B036	2B36SH	EQM3B036	3B36SH
4.15	EQM1B038	1B38SH	EQM2B038	2B38SH	EQM3B038	3B38SH
4.35	EQM1B040	1B40SH	EQM2B040	2B40SH	EQM3B040	3B40SH
4.55	EQM1B042	1B42SH	EQM2B042	2B42SH	EQM3B042	3B42SH
4.75	EQM1B044	1B44SH	EQM2B044	2B44SH	EQM3B044	3B44SH
4.95	EQM1B046	1B46SDS	EQM2B046	2B46SDS	EQM3B046	3B46SD
5.15	EQM1B048	1B48SDS	EQM2B048	2B48SDS	EQM3B048	3B48SD
5.35	EQM1B050	1B50SDS	EQM2B050	2B50SDS	EQM3B050	3B50SD
5.55	EQM1B052	1B52SDS	EQM2B052	2B52SDS	EQM3B052	3B52SD
5.75	EQM1B054	1B54SDS	EQM2B054	2B54SDS	EQM3B054	3B54SD
5.95	EQM1B056	1B56SDS	EQM2B056	2B56SDS	EQM3B056	3B56SD
6.15	EQM1B058	1B58SDS	EQM2B058	2B58SDS	EQM3B058	3B58SD
6.35	EQM1B060	1B60SDS	EQM2B060	2B60SDS	EQM3B060	3B60SD
6.55	EQM1B062	1B62SDS	EQM2B062	2B62SDS	EQM3B062	3B62SD
6.75	EQM1B064	1B64SDS	EQM2B064	2B64SDS	EQM3B064	3B64SD
6.95	EQM1B066	1B66SDS	EQM2B066	2B66SDS	EQM3B066	3B66SD
7.15	EQM1B068	1B68SDS	EQM2B068	2B68SDS	EQM3B068	3B68SD
7.35	EQM1B070	1B70SDS	EQM2B070	2B70SK	EQM3B070	3B70SK
7.75	EQM1B074	1B74SDS	EQM2B074	2B74SK	EQM3B074	3B74SK
8.35	EQM1B080	1B80SDS	EQM2B080	2B80SK	EQM3B080	3B80SK
8.95	EQM1B086	1B86SDS	EQM2B086	2B86SK	EQM3B086	3B86SK
9.35	EQM1B090*	1B90SDS	EQM2B090	2B90SK	EQM3B090	3B90SK
9.75	EQM1B094	1B94SDS	EQM2B094	2B94SK	EQM3B094	3B94SK
11.35	EQM1B110	1B110SDS	EQM2B110	2B110SK	EQM3B110	3B110SK
12.75	EQM1B124	1B124SDS	EQM2B124	2B124SK	EQM3B124	3B124SK
13.95	EQM1B136	1B136SDS	EQM2B136	2B136SK	EQM3B136	3B136SK*
15.75	EQM1B154	1B154SK	EQM2B154	2B154SK	EQM3B154	3B154SK*
16.35	EQM1B160	1B160SK	EQM2B160	2B160SK	EQM3B160	3B160SK
18.75	EQM1B184	1B184SK	EQM2B184	2B184SK	EQM3B184	3B184SK
20.35	EQM1B200	1B200SK	EQM2B200	2B200SF	EQM3B200	3B200SF

*These sizes are not a stock size.

Please note: These sheaves are also available in 4, 5, 6, 7, 8, and 10 grooves and up to 38.35" OD for B, C, 3V, 5V, and 8V belts. Sizes we don't stock are typically stocked only 1 day's shipping away.

QD BUSHINGS

DIMENSIONS



Bushing	A	B	C	D	E	Bolts Required	Bolt Size
SH	7/16	7/8	1 5/16	2 11/16	1.871	3	1/4 X 1 3/8
SDS	7/16	7/8	1 5/16	3 1/8	2.187	3	1/4 X 1 3/8
SD	7/16	1 3/8	1 13/16	3 1/8	2.187	3	1/4 X 1 7/8
SK	9/16	1 3/8	1 15/16	3 7/8	2.812	3	5/16 X 2
SF	5/8	1 7/16	2 1/16	4 5/8	3.125	3	5/16 X 2

Keyway Dimensions

STANDARD KEY SEATS	
Bore Size	Key Seat
1/2, 9/16	1/8 X 1/16
5/8, 11/16, 3/4, 13/16, 7/8	3/16 X 3/32
15/16, 1, 1 1/16, 1 1/8, 1 3/16, 1 1/4	1/4 X 1/8
1 5/16, 1 3/8	5/16 X 5/32
1 7/16, 1 1/2, 1 9/16, 1 5/8, 1 11/16, 1 3/4	3/8 X 3/16
1 13/16, 1 7/8, 1 15/16, 2, 2 1/16,	1 13/16, 1 7/8, 1 15/16, 2, 2 1/16, 2 1/8
2 1/8, 2 3/16, 2 1/4"	1/2 X 1/4
2 5/16, 2 3/8, 2 7/16, 2 1/2, 2 9/16, 2 5/8, 2 11/16, 2 3/4	5/8 X 5/16
2 13/16, 2 7/8, 2 15/16	3/4 X 3/8

EXCEPTIONS TO STANDARD KEY SEATS (KEY STOCK SUPPLIED W/BUSHING)	
Bushing & Bore Size	Key Seat
SH X 1 7/16, 1 1/2, 1 9/16, 1 5/8	3/8 X 1/16
SH X 1 11/16, 1 3/4	NO KEY
SDS, SD X 1 3/4	3/8 X 1/8
SDS, SD X 1 13/16	1/2 X 1/8
SDS, SD X 1 7/8, 1 15/16	1/2 X 1/16
SDS, SD X 2	NO KEY
SK X 2 3/16, 2 1/4	1/2 X 1/8
SK X 2 5/16, 2 3/8, 2 7/16, 2 1/2	5/8 X 1/16
SK X 2 9/16, 2 5/8	NO KEY
SF X 2 5/16, 2 3/8, 2 7/16, 2 1/2	5/8 X 3/16
SF X 2 9/16, 2 5/8, 2 11/16, 2 3/4	5/8 X 1/16
SF X 2 13/16, 2 7/8	3/4 X 1/16
SF X 2 15/16	NO KEY

*Shallow Key seat. Key Stock supplied with bushing.

QD BUSHINGS

Part #	Masterdrive Part #
EQMSH09	SH X 9/16
EQMSH10	SH X 5/8
EQMSH12	SH X 3/4
EQMSH13	SH X 13/16
EQMSH14	SH X 7/8
EQMSH15	SH X 15/16
EQMSH16	SH X 1
EQMSH17	SH X 1 1/16
EQMSH18	SH X 1 1/8
EQMSH19	SH X 1 3/16
EQMSH20	SH X 1 1/4
EQMSH22	SH X 1 3/8
EQMSH23	SH X 1 7/16
EQMSH24	SH X 1 1/2
EQMSH26	SH X 1 5/8
EQMSH28	SH X 1 3/4
EQMSDS08	SDS X 1/2
EQMSDS10	SDS X 5/8
EQMSDS12	SDS X 3/4
EQMSDS14	SDS X 7/8
EQMSDS15	SDS X 15/16
EQMSDS16	SDS X 1
EQMSDS18	SDS X 1 1/8
EQMSDS20	SDS X 1 1/4
EQMSDS22	SDS X 1 3/8
EQMSDS23	SDS X 1 7/16
EQMSDS24	SDS X 1 1/2
EQMSDS26	SDS X 1 5/8
EQMSDS28	SDS X 1 3/4
EQMSDS30	SDS X 1 7/8
EQMSDS32	SDS X 2
EQMSD16	SD X 1
EQMSD18	SD X 1 1/8
EQMSD19	SD X 1 3/16
EQMSD20	SD X 1 1/4
EQMSD22	SD X 1 3/8
EQMSD23	SD X 1 7/16
EQMSD24	SD X 1 1/2
EQMSD25	SD X 1 9/16
EQMSD26	SD X 1 5/8
EQMSD28	SD X 1 3/4
EQMSD30	SD X 1 7/8
EQMSD32	SD X 2



Part #	Masterdrive Part #
EQMSK10	SK X 5/8
EQMSK12	SK X 3/4
EQMSK14	SK X 7/8
EQMSK16	SK X 1
EQMSK18	SK X 1 1/8
EQMSK19	SK X 1 3/16
EQMSK20	SK X 1 1/4
EQMSK22	SK X 1 3/8
EQMSK23	SK X 1 7/16
EQMSK24	SK X 1 1/2
EQMSK26	SK X 1-5/8
EQMSK28	SK X 1 3/4
EQMSK30	SK X 1 7/8
EQMSK31	SK X 1 15/16
EQMSK32	SK X 2
EQMSK34	SK X 2 1/8
EQMSK35	SK X 2 3/16
EQMSK36	SK X 2 1/4
EQMSK40	SK X 2 1/2
EQMSF16	SF X 1
EQMSF18	SF X 1 1/8
EQMSF20	SF X 1 1/4
EQMSF22	SF X 1 3/8
EQMSF23	SF X 1 7/16
EQMSF24	SF X 1 1/2
EQMSF26	SF X 1 5/8
EQMSF27	SF X 1 11/16
EQMSF28	SF X 1 3/4
EQMSF30	SF X 1 7/8
EQMSF31	SF X 1 15/16
EQMSF32	SF X 2
EQMSF34	SF X 2 1/8
EQMSF35	SF X 2 3/16
EQMSF36	SF X 2 1/4
EQMSF40	SF X 2 1/2

If you don't see the bore size you need listed here, give us a call. Most non stock sizes as well as metric bore sizes are available in 1-2 days. QD Bushings are also available in sizes JA, E, F, J, M, N, P, W.

DOUBLE SPLIT TAPER BUSHED PULLEYS & DOUBLE SPLIT TAPER BUSHINGS

DOUBLE SPLIT TAPER BUSHED PULLEYS

3 GROOVE WIDTH = 2 1/2

OD	Part #	Masterdrive Part #
3.75	EQM3B034P2	3B34P2
3.95	EQM3B036P2	3B36P2
4.15	EQM3B038P1	3B38P1
4.35	EQM3B040P1	3B40P1
4.55	EQM3B042P1	3B42P1



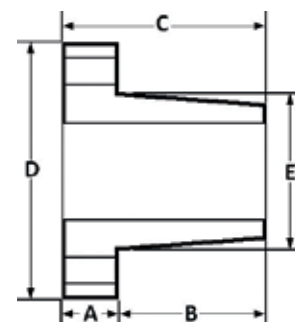
Double Split Taper Bushed Pulleys are a heavy duty cast iron pulley and are used with 3 bolt bushings.

These pulleys are available as well in 1, 2, and 4 groove up to 38.35" in diameter.

DOUBLE SPLIT TAPER BUSHINGS

Dimensions

Bushing	A	B	C	D	E	Bolts Required	Bolt Size
P1	13/32	1 17/32	1 15/16	3	1 15/16	3	5/16 X 1
P2	13/32	2 17/32	2 15/16	3	1 15/16	3	5/16 X 1
Q1	17/32	1 31/32	3 3/8	4 1/8	2 7/8	3	3/8 X 1 1/4



Keyway Dimensions

Bushing	Bore Sizes	Key Seat
P1	1/2, 9/16	1/8 X 1/16
P1, P2, Q1	5/8, 11/16, 3/4, 13/16, 7/8	3/16 X 3/32
P1, P2, Q1	15/16, 1, 1 1/16, 1 1/8, 1 3/16, 1 1/4	1/4 X 1/8
P1, P2, Q1	1 5/16, 1 3/8	5/16 X 5/32
P1, P2, Q1	1 7/16, 1 1/2, 1 9/16, 1 5/8, 1 11/16	3/8 X 3/16
P1, Q1	1 3/4	3/8 X 3/16
Q1	1 13/16, 1 7/8, 1 15/16, 2, 2 1/16, 2 1/8, 2 3/16, 2 1/4	1/2 X 1/4
Q1	2 5/16, 2 3/8, 2 7/16, 2 1/2, 2 9/16, 2 5/8, 2 11/16	5/8 X 5/16

DOUBLE SPLIT TAPER BUSHINGS & VARIABLE PITCH PULLEYS

POWER TRANSMISSION

DOUBLE SPLIT TAPER BUSHINGS



Part #	Masterdrive Part #
EQMP110	P1 X 5/8
EQMP112	P1 X 3/4
EQMP114	P1 X 7/8
EQMP116	P1 X 1
EQMP118	P1 X 1 1/8
EQMP120	P1 X 1 1/4
EQMP122	P1 X 1 3/8
EQMP123	P1 X 1 7/16
EQMP124	P1 X 1 1/2
EQMP126	P1 X 1 5/8

Part #	Masterdrive Part #
EQMP128	P1 X 1 3/4
EQMP214	P2 X 7/8
EQMP216	P2 X 1
EQMP218	P2 X 1 1/8
EQMP220	P2 X 1 1/4
EQMP222	P2 X 1 3/8
EQMP223	P2 X 1 7/16
EQMP224	P2 X 1 1/2
EQMP226	P2 X 1 5/8
EQMQ116	Q1 X 1

These bushings are also available in Q2, R1, R2 sizes and in more bore sizes in imperial and metric with a 1-2 day lead time.

VARIABLE PITCH PULLEYS

Variable Pitch Pulleys are designed so their pitch can be increased or decreased by turning one side of the pulley towards or away from the other side of the pulley. They can be used with 3L, 4L, 5L, A, or B Belts.



Part #	Masterdrive Part #	OD
EQM1VL3410	1VL34 X 5/8	3.15
EQM1VL4010	1VL40 X 5/8	3.75
EQM1VL4012	1VL40 X 3/4	3.75
EQM1VL4014	1VL40 X 7/8	3.75
EQM1VP4018	1VP40 X 1 1/8	3.75

Available in OD sizes 2.38" to 7.5". Sizes not listed here are typically available in 1-2 days.

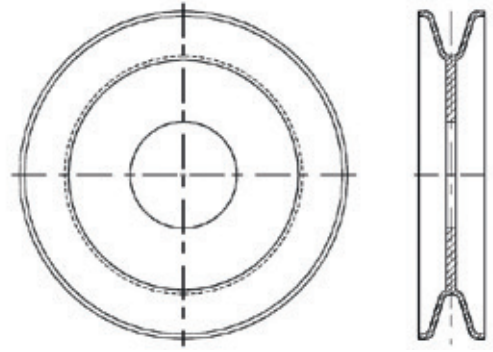
BALDOR • MASKA

Maska offers a broad range of power transmission products in the line of sheaves, bushings, and couplings. Lead time on Maska products is 2-3 days.



WELD-ON PULLEYS

Weld on Pulleys are for light duty applications only. They are made in a one piece split construction. They are designed for use with the weld on hubs which are listed with the weld on sprockets.



Part #	Pulley #	OD	Weld on Hub Series	Fits Belt Sizes
EQ00710025	00710025*	2.5	V	A & B
EQ00710030	00710030*	3	V	A & B
EQ00720030	V0300S	3	V	A & B
EQ00720035	W0350S	3.5	W	A & B
EQ00720040	W0400S	4	W	A & B
EQ00720045	W0450S	4.5	W	A & B
EQ00720050	W0500S	5	W	A & B
EQ00720055	W0550S	5.5	W	A & B
EQ00720060	W0600S	6	W	A & B
EQ00720065	W0650S	6.5	W	A & B
EQ00720070	W0700S	7	W	A & B
EQ00720080	W0800S	8	W	A & B
EQ00720090	W0900S	9	W	A & B
EQ00720100	W1000S	10	W	A & B
EQ00720110	W1100S	11	W	A & B
EQ00720120	X1200S	12	X	A & B
EQ00720140	X1400S	14	X	A & B
EQ00720160	X1600S	16	X	A & B
EQ00740060	00740060**	6	X	C
EQ00740080	00740080**	8	X	C
EQ00740100	00740100**	10	X	C
EQ00740120	00740120**	12	X	C

*Made from bar stock instead of pressed steel.

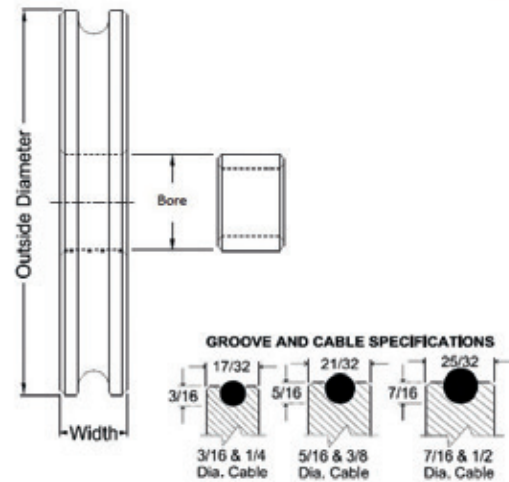
**Non stock items. 2-3 day lead time.

WIRE ROPE PULLEYS

STEEL

POWER TRANSMISSION

The 2" to 4" wire rope pulleys on the following table are made of low carbon steel and are designed with a 7/8" stock bore to receive a press fit on the 7/8" OD powdered metal bushings. The 5" to 10" wire rope pulleys are made of medium carbon steel and are designed with a 1 1/4" stock bore to receive a press fit on the 1 1/4" OD powdered metal bushings. Only pulleys with a * are stock items. All others have a 2-3 day lead time.

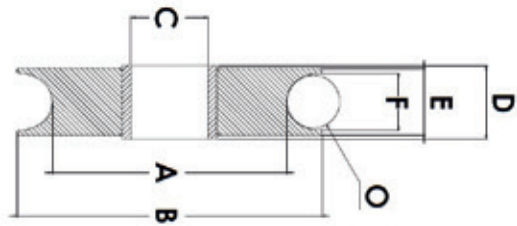


Part #	G & G Part #	OD	Width	Cable Sizes
EQ150-3217	150-3217	2	17/32	3/16 & 1/4
EQ150-3221	150-3221*	2	21/32	5/16 & 3/8
EQ150-3225	150-3225	2	25/32	7/16 & 1/2
EQ150-4017	150-4017	2.5	17/32	3/16 & 1/4
EQ150-4021	150-4021	2.5	21/32	5/16 & 3/8
EQ150-4025	150-4025*	2.5	25/32	7/16 & 1/2
EQ150-4817	150-4817	3	17/32	3/16 & 1/4
EQ150-4821	150-4821	3	21/32	5/16 & 3/8
EQ150-4825	150-4825*	3	25/32	7/16 & 1/2
EQ150-5617	150-5617	3.5	17/32	3/16 & 1/4
EQ150-5621	150-5621*	3.5	21/32	5/16 & 3/8
EQ150-5625	150-5625	3.5	25/32	7/16 & 1/2

Part #	G & G Part #	OD	Width	Cable Sizes
EQ150-6417	150-6417	4	17/32	3/16 & 1/4
EQ150-6421	150-6421*	4	21/32	5/16 & 3/8
EQ150-6425	150-6425	4	25/32	7/16 & 1/2
EQ150-8006	150-8006*	5	7/8	5/16 & 3/8
EQ150-8008	150-8008	5	7/8	7/16 & 1/2
EQ150-9606	150-9606	6	7/8	5/16 & 3/8
EQ150-9608	150-9608	6	7/8	7/16 & 1/2
EQ15011208	15011208	7	7/8	7/16 & 1/2
EQ15012808	15012808	8	7/8	7/16 & 1/2
EQ15014408	15014408	9	7/8	7/16 & 1/2
EQ15016008	15016008	10	7/8	7/16 & 1/2

STEEL WITH BRONZE BUSHING

Our Wire Rope Pulleys w/Bronze Bushings are manufactured by Block Division. Block Division manufactures many different types of wire rope pulleys and blocks. Call us for price and availability if you don't see what you need.



Part #	Block Part #	Max Cable	A	B	C	D	E	F	Work Load
EQSWRBB20	00258	1/4	2	2.5	1/2	15/32	7/16	5/16	685 LBS.
EQSWRBB24	00308	1/4	2.5	3	1/2	15/32	7/16	5/16	800 LBS.
EQSWRBB28	00358	5/16	3	3.5	3/4	11/16	5/8	15/32	1550 LBS.

UHMW

These are an equivalent dimensionally to the G & G wire rope pulleys which share their part # but are made of UHMW material.

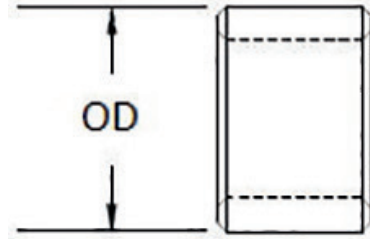
Part #	G & G Part #	OD	Width	Cable Sizes
EQ150-4025P	150-4025P	2.5	25/32	7/16 & 1/2
EQ150-5625P	150-5625P	3.5	25/32	7/16 & 1/2

POWDERED METAL BUSHINGS & WIRE ROPE BLOCKS

POWDERED METAL BUSHINGS

Part #	G & G Part #	OD	ID	Width
EQ151-0817	151-0817	7/8	1/2	17/32
EQ151-0821	151-0821	7/8	1/2	21/32
EQ151-0825	151-0825	7/8	1/2	25/32
EQ151-1017	151-1017	7/8	5/8	17/32
EQ151-1021	151-1021	7/8	5/8	21/32
EQ151-1025	151-1025	7/8	5/8	25/32
EQ151-1217	151-1217*	7/8	3/4	17/32
EQ151-1221	151-1221	7/8	3/4	21/32
EQ151-1225	151-1225	7/8	3/4	25/32
EQ151-1214	151-1214	1 1/4	3/4	7/8
EQ151-1414	151-1414*	1 1/4	7/8	7/8
EQ151-1614	151-1614*	1 1/4	1	7/8
EQ151-1814	151-1814*	1 1/4	1 1/8	7/8

*These bushings are not in stock and have a 2-3 day lead time.



These Powdered Metal Bushings are specifically designed for use with the steel wire rope pulleys.

WIRE ROPE BLOCKS

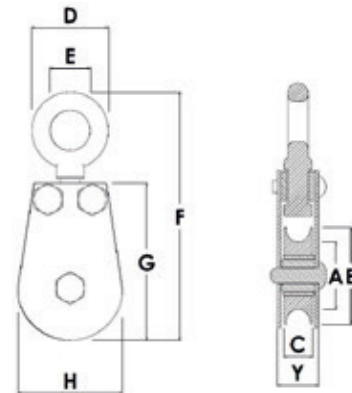
Our Wire Rope Blocks are manufactured by Block Division. Block Division also manufactures the following wire rope blocks:

- Swivel Eye Block Single and Double Sheave 1 1/2"-5"
- Flat Mount Block Single and Double Sheave 1 1/2"-5"
- Fixed Eye Block Single and Double Sheave 1 1/2"-5"
- Swivel Hook Block Single and Double Sheave 1 1/2"-5"

Except for the ones below which we stock they are available in 4-5 days.

SWIVEL EYE

Dimensions



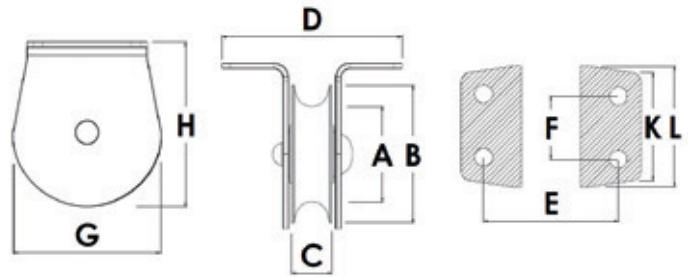
Model No.	Max Cable	A	B	C	D	E	F	G	H	Working Load
01548	3/16	1	1-1/2	7/16	1-1/4	5/8	3-13/16	2-7/16	1-5/8	525 LBS.

Part #	Block Part #	Pulley OD	Max Cable Size
EQSEB12	01548	1 1/2"	3/16

WIRE ROPE BLOCKS & IDLER PULLEYS

WIRE ROPE BLOCKS

FLAT MOUNT Dimensions



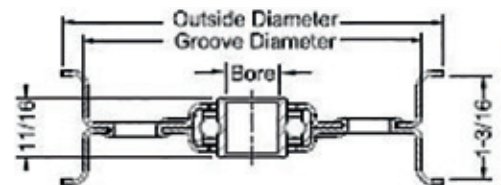
Model No.	Max Cable	A	B	C	D	E	F	G	H	K	L	Working Load
01558	3/16	1	1 1/2	7/16	2	1 7/16	11/16	1 5/8	1 7/8	1 1/8	1 3/8	525 LBS.

Part #	Block Part #	Pulley OD	Max Cable Size
EQFMB12	01558	1 1/2"	3/16

IDLER PULLEYS

BACKSIDE

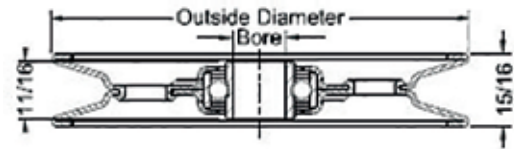
Backside Idler Pulleys have a flat surface designed to push in against the backside of a v-belt. They are 1 3/16 wide.



Part #	G & G Part #	Pulley OD	Groove Diameter	Bore
EQ011-4408	011-4408	3 1/4	2 3/4	1/2
EQ011-4410	011-4410	3 1/4	2 3/4	5/8
EQ011-6408	011-6408	4 1/2	4	1/2
EQ011-6410	011-6410	4 1/2	4	5/8

FRONTSIDE

Frontside Idler Pulleys have a traditional v design and are made to push out against the frontside or the v of a v-belt.

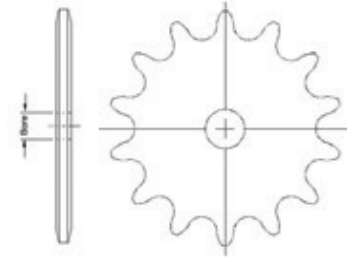


Part #	G & G Part #	Pulley OD	Bore	Fits Belt Size
EQ011-8008	011-8008	5	1/2	A & B
EQ011-8010	011-8010	5	5/8	A & B

WELD-ON SPROCKETS

Weld on sprockets provide a large variety of sprockets at your fingertips without needing to rebores for proper bore size.

Having the number 5 added as an 11th digit in the part number indicates that the sprocket is imported. If the part number does not have a 5 for the 11th digit the sprocket is US made and is not available as an imported product. The sprocket # indicates chain size, number of teeth, and hub series required. (4024X is a sprocket for 40 chain with 24 teeth and uses an X series weld on hub).



Part #	Sprocket #	OD
EQ001035155	3515V	1.989
EQ00103516	3516V	2.110
EQ00103517	3517V	2.231
EQ00103518	3518V	2.352
EQ00103519	3519V	2.472
EQ001035205	3520V	2.593
EQ00103521	3521V	2.713
EQ00103522	3522W	2.833
EQ00103523	3523W	2.954
EQ001035245	3524W	3.074
EQ001035255	3525W	3.194
EQ00103526	3526W	3.314
EQ00103527	3527W	3.434
EQ00103528	3528W	3.553
EQ00103530	3530W	3.793
EQ001035325	3532W	4.032
EQ00103535	3535W	4.392
EQ00103536	3536W	4.511
EQ00103540	3540W	4.990
EQ001035455	3545W	5.588
EQ001035485	3548W	5.946
EQ001035545	3554W	6.663
EQ001035605	3560W	7.380
EQ001035725	3572W	8.814
EQ00103584	3584W	10.247
EQ00103596	3596W	11.680
EQ001040115	4011V	2.003
EQ001040125	4012V	2.166
EQ001040135	4013V	2.329
EQ001040145	4014V	2.491
EQ001040155	4015V	2.653
EQ001040165	4016W	2.814
EQ001040175	4017W	2.975
EQ001040185	4018W	3.136
EQ001040195	4019W	3.297
EQ001040205	4020X	3.457
EQ001040215	4021X	3.618

Part #	Sprocket #	OD
EQ001040225	4022X	3.778
EQ001040235	4023X	3.938
EQ001040245	4024X	4.098
EQ001040255	4025X	4.258
EQ001040265	4026X	4.418
EQ001040275	4027X	4.587
EQ001040285	4028X	4.738
EQ001040295	4029X	4.898
EQ001040305	4030X	5.057
EQ001040315	4031X*	5.217
EQ001040325	4032X	5.377
EQ001040335	4033X*	5.536
EQ001040345	4034X	5.696
EQ001040355	4035X	5.856
EQ001040365	4036X	6.015
EQ001040375	4037X*	6.174
EQ001040385	4038X	6.334
EQ001040405	4040X	6.653
EQ001040425	4042X	6.972
EQ001040445	4044X	7.291
EQ001040455	4045X	7.451
EQ001040465	4046X	7.609
EQ001040485	4048X	7.927
EQ001040505	4050X	8.248
EQ001040525	4052X*	8.566
EQ001040545	4054X	8.884
EQ001040605	4060X	9.841
EQ001040705	4070X*	11.433
EQ001040725	4072X	11.752
EQ001040805	4080X	13.026
EQ001040845	4084X	13.663
EQ00104096	4096X*	15.573
EQ001040112	40112X*	18.120
EQ001041125	4112V	2.166
EQ001041135	4113V	2.329
EQ001041145	4114V	2.491
EQ001041155	4115V	2.653

WELD-ON SPROCKETS

POWER TRANSMISSION

Part #	Sprocket #	OD
EQ001041165	4116W	2.814
EQ001041175	4117W	2.975
EQ001041185	4118W	3.136
EQ001041195	4119W	3.297
EQ001041205	4120W	3.457
EQ001041215	4121W	3.618
EQ001041225	4122W	3.778
EQ001041235	4123W	3.938
EQ001041245	4124W	4.098
EQ001041255	4125W	4.258
EQ001041265	4126W	4.418
EQ001041275	4127W	4.587
EQ001041285	4128W	4.738
EQ001041305	4130W	5.057
EQ001041325	4132W	5.377
EQ001041355	4135W	5.856
EQ001041365	4136W	6.015
EQ001041405	4140W	6.653
EQ001041425	4142W	6.972
EQ001041455	4145W	7.451
EQ001041485	4148W	7.927
EQ001041545	4154W	8.884
EQ001041605	4160W	9.841
EQ001041725	4172W	11.752
EQ001050095	5009V	2.092
EQ001050105	5010V	2.266
EQ001050115	5011V	2.504
EQ001050125	5012W	2.708
EQ001050135	5013W	2.911
EQ001050145	5014W	3.114
EQ001050155	5015W	3.316
EQ001050165	5016W	3.517
EQ001050175	5017X	3.719
EQ001050185	5018X	3.919
EQ001050195	5019X	4.121
EQ001050205	5020X	4.321
EQ001050215	5021X	4.521
EQ001050225	5022X	4.722
EQ001050235	5023X	4.922
EQ001050245	5024X	5.123
EQ001050255	5025X	5.323
EQ001050265	5026X	5.532
EQ001050275	5027X*	5.723
EQ001050285	5028X	5.922
EQ001050295	5029X	6.122

Part #	Sprocket #	OD
EQ001050305	5030X	6.321
EQ001050315	5031X*	6.521
EQ001050325	5032X	6.721
EQ001050335	5033X*	6.921
EQ001050345	5034X	7.120
EQ001050355	5035X	7.319
EQ001050365	5036X	7.519
EQ001050375	5037X*	7.718
EQ001050385	5038X	7.918
EQ001050395	5039X*	8.117
EQ001050405	5040X	8.316
EQ001050415	5041X*	8.516
EQ001050425	5042X	8.715
EQ001050435	5043X*	8.914
EQ001050445	5044X	9.114
EQ001050455	5045X	9.313
EQ001050465	5046X	9.512
EQ001050485	5048X	9.911
EQ001050505	5050X	10.309
EQ001050525	5052X	10.708
EQ001050545	5054X	11.106
EQ001050605	5060X	12.301
EQ001050655	5065X*	13.297
EQ001050705	5070X*	14.292
EQ001050725	5072X	14.690
EQ001050805	5080X	16.283
EQ001050845	5084X*	17.079
EQ00105096	5096X*	19.467
EQ001050112	50112X*	22.651
EQ001060095	6009V	2.510
EQ001060105	6010V	2.759
EQ001060115	6011W	3.005
EQ001060125	6012W	3.249
EQ001060135	6013W	3.493
EQ001060145	6014W	3.736
EQ001060155	6015X	3.979
EQ001060165	6016X	4.220
EQ001060175	6017X	4.463
EQ001060185	6018X	4.703
EQ001060195	6019X	4.945
EQ001060205	6020X	5.186
EQ001060215	6021X	5.426
EQ001060225	6022X	5.666
EQ001060235	6023X*	5.906
EQ001060245	6024X	6.147

WELD-ON SPROCKETS

Part #	Sprocket #	OD
EQ001060255	6025X	6.387
EQ001060265	6026X	6.627
EQ001060275	6027X*	6.867
EQ001060285	6028X	7.106
EQ001060295	6029X	7.346
EQ001060305	6030X	7.586
EQ001060315	6031X*	7.826
EQ001060325	6032X	8.065
EQ00106033	6033X*	8.305
EQ001060345	6034X	8.544
EQ001060355	6035X	8.783
EQ001060365	6036X	9.023
EQ001060385	6038X	9.501
EQ001060395	6039X*	9.740
EQ001060405	6040X	9.980
EQ001060415	6041X*	10.219
EQ001060425	6042X	10.458
EQ001060445	6044X	10.937
EQ001060455	6045X	11.180
EQ001060465	6046X	11.414
EQ001060485	6048X	11.893
EQ001060505	6050X	12.371
EQ001060545	6054X	13.327
EQ001060605	6060X	14.761
EQ001060725	6072X	17.628
EQ00106080	6080X	19.539
EQ00106096	6096X*	23.360
EQ001060112	60112X*	27.181
EQ001080095	8009W	3.347
EQ001080105	8010W	3.678
EQ001080115	8011W	4.000
EQ001080125	8012X	4.332
EQ001080135	8013X	4.657
EQ001080145	8014X	4.982
EQ001080155	8015X	5.305
EQ001080165	8016X	5.627
EQ001080175	8017X	5.950
EQ001080185	8018X	6.271
EQ001080195	8019X	6.593
EQ001080205	8020X	6.914
EQ001080215	8021X	7.240
EQ001080225	8022X	7.555
EQ001080245	8024X	8.196
EQ001080255	8025X*	8.516

Part #	Sprocket #	OD
EQ001080265	8026X	8.836
EQ001080275	8027X*	9.156
EQ001080285	8028X	9.475
EQ001080295	8029X*	9.795
EQ001080305	8030X	10.114
EQ001080325	8032X	10.753
EQ001080335	8033X	11.072
EQ00108034	8034X*	11.392
EQ001080365	8036X	12.030
EQ001080405	8040X	13.306
EQ00108045	8045X	14.901
EQ00108048	8048X	15.857
EQ001080605	8060Y	19.681
EQ00108070	8070Y	22.867
EQ00108072	8072Y	23.504
EQ00108076	8076Y	24.778
EQ00108080	8080Y	26.052
EQ00108084	8084Y	27.326
EQ00108090	8090Y	29.236
EQ00108096	8096Y	31.146
EQ001080112	80112Y	36.241
EQ00110010	10010X	4.598
EQ00110011	10011X	5.008
EQ00110012	10012X	5.415
EQ00110013	10013X	5.821
EQ00110014	10014Y	6.228
EQ00110015	10015Y	6.631
EQ00110016	10016Y	7.034
EQ00110017	10017Y	7.438
EQ00110018	10018Y	7.839
EQ00110019	10019Y	8.241
EQ00110020	10020Y	8.643
EQ00110021	10021Y	9.040
EQ00110022	10022Y	9.440
EQ00110023	10023Y	9.840
EQ00110024	10024Y	10.250
EQ00110025	10025Y	10.650
EQ00110026	10026Y	11.050
EQ00110028	10028Y	11.840
EQ00110030	10030Y	12.640
EQ00110032	10032Y	13.440
EQ00110035	10035Y	14.640
EQ00110036	10036Y	15.040

*Non-stock sprockets. 35, 41, and 100 are non stock sprockets as well as 80 sprockets with 40 or more teeth. Lead time is 2-3 days on these sizes.

HARDENED TOOTH WELDASPROCKETS®

Hardened Tooth Weldasprockets are an exact equivalent of standard weld-on sprockets with teeth that are hardened to a Rockwell Hardness of C35-45. The sprocket # indicates chain size, number of teeth, and hub series required. (4024X is a sprocket for 40 chain with 24 teeth and uses an X series weld on hub). They are not a stock product but are available in 2-3 days. They are manufactured in the USA by G & G Manufacturing.

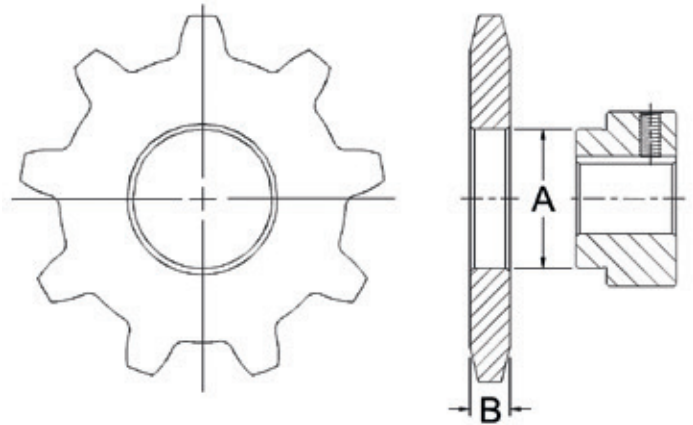
POWER TRANSMISSION

Part #	Sprocket #	OD
EQ00304012	4012V	2.166
EQ00304013	4013V	2.329
EQ00304014	4014V	2.491
EQ00304015	4015V	2.653
EQ00304016	4016W	2.814
EQ00304017	4017W	2.975
EQ00304018	4018W	3.136
EQ00304019	4019W	3.297
EQ00304020	4020X	3.457
EQ00304021	4021X	3.618
EQ00304022	4022X	3.778
EQ00304023	4023X	3.938
EQ00304024	4024X	4.098
EQ00304025	4025X	4.258
EQ00304026	4026X	4.418
EQ00304027	4027X	4.587
EQ00304028	4028X	4.738
EQ00304029	4029X	4.898
EQ00304030	4030X	5.057
EQ00305010	5010V	2.266
EQ00305011	5011V	2.504
EQ00305012	5012W	2.708
EQ00305013	5013W	2.911
EQ00305014	5014W	3.114
EQ00305015	5015W	3.316
EQ00305016	5016W	3.517
EQ00305017	5017X	3.719
EQ00305018	5018X	3.919
EQ00305019	5019X	4.121
EQ00305020	5020X	4.321
EQ00305021	5021X	4.521
EQ00305022	5022X	4.722
EQ00305023	5023X	4.922
EQ00305024	5024X	5.123
EQ00305025	5025X	5.323
EQ00305026	5026X	5.532
EQ00305027	5027X	5.723

Part #	Sprocket #	OD
EQ00305028	5028X	5.922
EQ00305029	5029X	6.122
EQ00305030	5030X	6.321
EQ00306009	6009V	2.510
EQ00306010	6010V	2.759
EQ00306011	6011W	3.005
EQ00306012	6012W	3.249
EQ00306013	6013W	3.493
EQ00306014	6014W	3.736
EQ00306015	6015X	3.979
EQ00306016	6016X	4.220
EQ00306017	6017X	4.463
EQ00306018	6018X	4.703
EQ00306019	6019X	4.945
EQ00306020	6020X	5.186
EQ00306021	6021X	5.426
EQ00306022	6022X	5.666
EQ00306023	6023X	5.906
EQ00306024	6024X	6.147
EQ00306025	6025X	6.387
EQ00306026	6026X	6.627
EQ00306027	6027X	6.867
EQ00306028	6028X	7.106
EQ00306029	6029X	7.346
EQ00306030	6030X	7.586
EQ00308009	8009W	3.347
EQ00308010	8010W	3.678
EQ00308011	8011W	4.000
EQ00308012	8012X	4.332
EQ00308013	8013X	4.657
EQ00308014	8014X	4.982
EQ00308015	8015X	5.305
EQ00308016	8016X	5.627
EQ00308017	8017X	5.950
EQ00308018	8018X	6.271
EQ00308019	8019X	6.593
EQ00308020	8020X	6.914

STEEL DETACHABLE CHAIN WELDASPROCKETS®

These sprockets are designed to fit steel detachable chain and pintle chain. The sprocket # indicates chain size, number of teeth, and hub series required. (5510X is a sprocket for 55 chain with 10 teeth and uses an X series weld on hub). Only the items with a * are stock. The others are available in 2-3 days. They are manufactured in the USA by G & G.

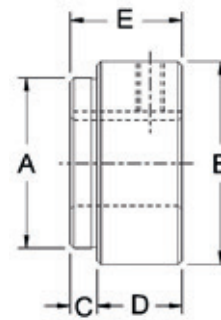


POWER TRANSMISSION

Part #	Sprocket #	OD	Width	Pintle Chain Size
EQ01550655	5506W*	3 3/4	9/16	-
EQ01550755	5507X*	4 1/4	9/16	-
EQ01550855	5508X	4 3/4	9/16	-
EQ01550955	5509X	5 1/4	9/16	-
EQ01551055	5510X	5 3/4	9/16	-
EQ01551155	5511X	6 1/4	9/16	-
EQ01551255	5512X	6 3/4	9/16	-
EQ01551355	5513X	7 1/4	9/16	-
EQ01551455	5514X	7 3/4	9/16	-
EQ01551555	5515X	8 1/4	9/16	-
EQ01620662	6206W	3 7/8	11/16	662
EQ01620762	6207W	4 3/8	11/16	662
EQ01620862	6208X	4 7/8	11/16	662
EQ01620962	6209X	5 3/8	11/16	662
EQ01621062	6210X	5 7/8	11/16	662
EQ01621162	6211X	6 1/2	11/16	662
EQ01621262	6212X	7	11/16	662
EQ01621362	6213Y	7 1/2	11/16	662
EQ01621462	6214Y	8	11/16	662
EQ01621562	6215Y	8 1/2	11/16	662
EQ01670667	6706X*	5 5/8	3/4	667X/XH

WELD-ON HUBS

Weld-on Hubs are designed for use with weld-on sprockets and pulleys. Having the number 5 added as an 11th digit in the part number indicates that the hub is imported. If the part number does not have a 5 for the 11th digit the hub is US made and is not available as an imported product.



Dimensions

-	V	W	X	XX	Y	W Idler	X Idler
A	1 1/8	1 5/8	2	2	2 3/4	1 5/8	2
B	1 7/16	1 3/4	2 1/4 TO 2 1/2	3	3 3/4	1 3/4	2 1/4 TO 2 1/2
C	7/16	7/16	7/16	7/16	11/16	1/2	1/2
D	3/4	1	1	1 1/16	1 3/16	7/64	7/64
E	1 3/16	1 7/16	1 7/16	1 1/2	1 7/8	11/16	11/16

Standard Keyway Dimensions

Shaft Dia.	Key Seat W X D
1/2-9/16	1/8 X 1/16
5/8-7/8	3/16 X 3/32
15/16-1 1/4	1/4 X 1/8
1 5/16-1 3/8	5/16 X 5/32

Shaft Dia.	Key Seat W X D
1 7/16-1 3/4	3/8 X 3/16
1 13/16-2 1/4	1/2 X 1/4
2 5/16-2 1/2	5/8 X 5/16

ROUND BORE

We stock all the round bore sprockets in the V, W, and X series. The XX and Y series sprockets that are stock are indicated with a *. All others in these series are non stock with a 2-3 day lead time

Part #	Bore Size	Hub Series
EQ000100085	1/2	V
EQ000100095	9/16	V
EQ000100105	5/8	V
EQ000100115	11/16	V
EQ000100125	3/4	V
EQ000100135	13/16	V
EQ000100145	7/8	V
EQ000200085	1/2	W
EQ000200095	9/16	W
EQ000200105	5/8	W
EQ000200115	11/16	W
EQ000200125	3/4	W
EQ000200135	13/16	W
EQ000200145	7/8	W
EQ000200155	15/16	W
EQ000200165	1	W
EQ000200175	1 1/16	W
EQ000200185	1 1/8	W
EQ000200195	1 3/16	W

WELD-ON HUBS

ROUND BORE

Part #	Bore Size	Hub Series
EQ000200205	1 1/4	W
EQ000300105	5/8	X
EQ000300115	11/16	X
EQ000300125	3/4	X
EQ000300135	13/16	X
EQ000300145	7/8	X
EQ000300155	15/16	X
EQ000300165	1	X
EQ000300175	1 1/16	X
EQ000300185	1 1/8	X
EQ000300195	1 3/16	X
EQ000300205	1 1/4	X
EQ000300215	1 5/16	X
EQ000300225	1 3/8	X
EQ000300235	1 7/16	X
EQ000300245	1 1/2	X
EQ000400165	1	XX
EQ00040018	1 1/8	XX
EQ000400205	1 1/4	XX
EQ000400225	1 3/8	XX
EQ000400245	1 1/2	XX
EQ000400265	1 5/8*	XX
EQ00050016	1	Y
EQ000500185	1 1/8	Y
EQ00050020	1 1/4	Y
EQ000500225	1 3/8	Y
EQ000500235	1 7/16	Y
EQ000500245	1 1/2	Y
EQ00050026	1 5/8	Y
EQ000500285	1 3/4*	Y
EQ000500305	1 7/8	Y
EQ000500315	1 15/16	Y
EQ000500325	2*	Y

Stock sizes for weld-on hubs in all the following bore types are marked with a *.

STOCK BORE

Part #	Bore Size	Hub Series
EQ000200005	1/2	W
EQ000300005	19/32*	X

WELD-ON HUBS

HEX BORE

Stock sizes for weld-on hubs in all the following bore types are marked with a *

Part #	Bore Size	Hub Series
EQ000260105	5/8*	W
EQ000260125	3/4*	W
EQ000260145	7/8	W
EQ000260165	1	W
EQ000260185	1 1/8	W
EQ000260205	1 1/4	W
EQ000360105	5/8	X
EQ000360125	3/4	X
EQ000360145	7/8	X
EQ000360165	1	X
EQ000360185	1 1/8	X
EQ000360205	1 1/4	X

SQUARE BORE

Part #	Bore Size	Hub Series
EQ0002S010	5/8*	W
EQ0002S0125	3/4*	W
EQ0002S0165	1	W
EQ0003S012	3/4*	X
EQ0003S014	7/8	X
EQ0003S0165	1	X
EQ0003S0185	1 1/8	X
EQ0003S0205	1 1/4	X

SPLINED BORE

Part #	Spline Size	Hub Series
EQ00021413	7/8 X 13	W
EQ00021606	1 X 6	W
EQ00021615	1 X 15	W
EQ000218065	1 1/8 X 6	W
EQ000220065	1 1/4 X 6	W
EQ000220145	1 1/4 X 14	W
EQ000222065	1 3/8 X 6*	W
EQ000222215	1 3/8 X 21	W
EQ00031413	7/8 X 13	X
EQ000316065	1 X 6	X
EQ00031806	1 1/8 X 6	X
EQ00032006	1 1/4 X 6*	X
EQ000320145	1 1/4 X 14	X
EQ000322065	1 3/8 X 6*	X
EQ000322215	1 3/8 X 21	X
EQ00032806	1 3/4 X 6	X
EQ00042820	1 3/4 X 20	XX

WELD-ON HUBS

WELD-ON HUBS

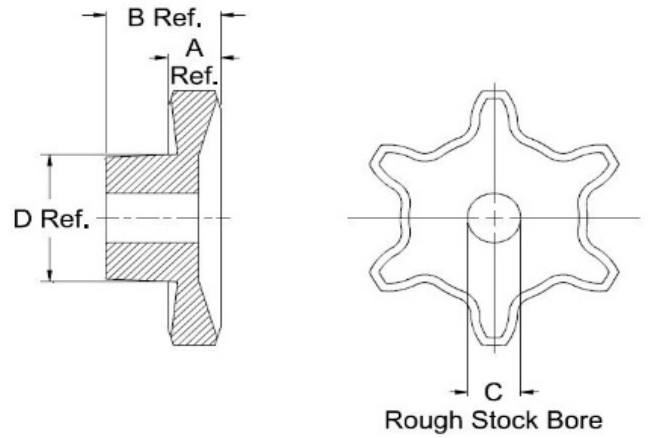
IDLER

Part #	Bore Size	Hub Series
EQ00023008	1/2"	W
EQ00023010	5/8"	W
EQ00033008	1/2"	X
EQ00033010	5/8"	X

CAST SPROCKETS FOR STEEL DETACHABLE CHAIN

POWER TRANSMISSION

STOCK BORE • MADE IN USA

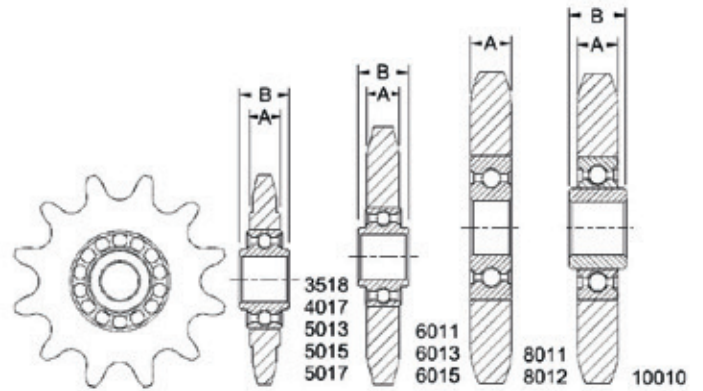


Part #	Sprocket #	Bore Size	OD	Chain Size
EQ01350655	5506	1/2	3 3/4	55
EQ01350755	5507	1/2	4 1/4	55
EQ01350855	5508	3/4	4 3/4	55
EQ01350955	5509	3/4	5 1/4	55
EQ01351055	5510	3/4	5 3/4	55
EQ01351155	5511	3/4	6 1/4	55
EQ01351255	5512	3/4	6 3/4	55
EQ01351555	5515	7/8	8 1/4	55
EQ01360662	6206	3/4	3 7/8	62
EQ01360762	6207	3/4	4 3/8	62
EQ01360862	6208	3/4	4 7/8	62
EQ01361062	6210	3/4	5 7/8	62

IDLER SPROCKETS & BUSHINGS AND BEARINGS

IDLER SPROCKETS

The sprocket number gives the chain size and the number of teeth. (4017 is a sprocket for 40 chain and has 17 teeth).



Part #	Sprocket #	Bore Size	Sprocket Width	LTB
EQ03518E08	3518	1/2	7/16	11/16
EQ04017E08	4017*	1/2	7/16	11/16
EQ04017E10	4017*	5/8	7/16	11/16
EQ05013E08	5013	1/2	7/16	11/16
EQ05013E10	5013	5/8	7/16	11/16
EQ05015E08	5015	1/2	7/16	11/16
EQ05015E10	5015	5/8	7/16	11/16
EQ05017E08	5017	1/2	7/16	11/16
EQ05017E10	5017	5/8	7/16	11/16
EQ06011E08	6011	1/2	7/16	11/16
EQ06011E10	6011	5/8	7/16	11/16
EQ06013E08	6013	1/2	7/16	11/16
EQ06013E10	6013	5/8	7/16	11/16
EQ06015E08	6015	1/2	7/16	11/16
EQ06015E10	6015	5/8	7/16	11/16
EQ08011012	8011	3/4	9/16	9/16
EQ08012012	8012	3/4	9/16	9/16
EQ10010016	10010**	1	11/16	11/16
EQ034-8550	55008	5/8	-	1 1/8

*40 idler sprockets also work for 41 roller chain.

**Non stock sprockets. Lead time is 2-3 days.

BUSHINGS AND BEARINGS

Part #	Description
EQ01008E11	5/8 TO 1/2 REDUCER BUSHING
EQ02211E08	1/2 BORE REPLACEMENT BEARING FOR 35 TO 60 IDLER SPROCKETS*
EQ02211E10	5/8 BORE REPLACEMENT BEARING FOR 35 TO 60 IDLER SPROCKETS*

*Non-stock, lead time is 2-3 days.

V-BELTS



X5 EPDM RUBBER BELTS

BESTORQ NEW “X5” COGGED V-BELTS AND BANDED COGGED V-BELTS INTRODUCE A NEW GENERATION OF V-BELT PERFORMANCE.

- Made of an ***EPDM compound, proven to be the best for belt life by durability testing
- Extraordinary temperature range of -60F to +260F
- Matched to exceed ARPM Standards
- Meet all ARPM standards for heat and oil resistance
- Static Conducting to ARPM & Mine Safety Standards
- Use less energy than competitor's EPDM cogged belts due to superior chemistry and optimized belt design
- Works great with backside idlers at essentially no loss in belt life
- *** EPDM is Ethylene Propylene Diene Monomer, a synthetic rubber polymer.
- Bestorq EPDM has an optimized compounding formula for better belt life, superior resistance to cracks, usable with backside idlers, and higher bending efficiency
- EPDM is strong, resists cracking, is flexible, resists oxidation, humidity, and is very resistant to most chemicals, including phosphate esters, ketones, alcohol, water, steam, acetone, animal and vegetable oils, alkalis, brake fluid, and glycols
- EPDM has excellent resistance to oxygen, ozone, sunlight and weather aging



Part #	Size	OC	4L/5L Equivalent
VAX015	AX15	17.1	4L170
VAX016	AX16	18.1	4L180
VAX017	AX17	19.1	4L190
VAX018	AX18	20.1	4L200
VAX019	AX19	21.1	4L210
VAX020	AX20	22.1	4L220
VAX021	AX21	23.1	4L230
VAX022	AX22	24.1	4L240
VAX023	AX23	25.1	4L250
VAX024	AX24	26.1	4L260
VAX025	AX25	27.1	4L270
VAX026	AX26	28.1	4L280
VAX027	AX27	29.1	4L290
VAX028	AX28	30.1	4L300
VAX029	AX29	31.1	4L310
VAX030	AX30	32.1	4L320
VAX031	AX31	33.1	4L330
VAX032	AX32	34.1	4L340
VAX033	AX33	35.1	4L350
VAX034	AX34	36.1	4L360
VAX035	AX35	37.1	4L370
VAX036	AX36	38.1	4L380
VAX037	AX37	39.1	4L390
VAX038	AX38	40.1	4L400
VAX039	AX39	41.1	4L410
VAX040	AX40	42.1	4L420
VAX041	AX41	43.1	4L430
VAX042	AX42	44.1	4L440
VAX043	AX43	45.1	4L450
VAX044	AX44	46.1	4L460
VAX045	AX45	47.1	4L470

V-BELTS

X5 EPDM RUBBER BELTS

Part #	Size	OC	4L/5L Equivalent
VAX046	AX46	48.1	4L480
VAX047	AX47	49.1	4L490
VAX048	AX48	50.1	4L500
VAX049	AX49	51.1	4L510
VAX050	AX50	52.1	4L520
VAX051	AX51	53.1	4L530
VAX052	AX52	54.1	4L540
VAX053	AX53	55.1	4L550
VAX054	AX54	56.1	4L560
VAX055	AX55	57.1	4L570
VAX056	AX56	58.1	4L580
VAX057	AX57	59.1	4L590
VAX058	AX58	60.1	4L600
VAX059	AX59	61.1	4L610
VAX060	AX60	62.1	4L620
VAX061	AX61	63.1	4L630
VAX062	AX62	64.1	4L640
VAX063	AX63	65.1	4L650
VAX064	AX64	66.1	4L660
VAX065	AX65	67.1	4L670
VAX066	AX66	68.1	4L680
VAX067	AX67	69.1	4L690
VAX067.5	AX67.5	69.6	-
VAX068	AX68	70.1	4L700
VAX069	AX69	71.1	4L710
VAX070	AX70	72.1	4L720
VAX071	AX71	73.1	4L730
VAX072	AX72	74.1	4L740
VAX073	AX73	75.1	4L750
VAX074	AX74	76.1	4L760
VAX075	AX75	77.1	4L770
VAX076	AX76	78.1	4L780
VAX077	AX77	79.1	4L790
VAX078	AX78	80.1	4L800
VAX079	AX79	81.1	4L810
VAX080	AX80	82.1	4L820
VAX081	AX81	83.1	4L830
VAX082	AX82	84.1	4L840
VAX083	AX83	85.1	4L850
VAX084	AX84	86.1	4L860
VAX085	AX85	87.1	4L870
VAX086	AX86	88.1	4L880
VAX087	AX87	89.1	4L890

Part #	Size	OC	4L/5L Equivalent
VAX088	AX88	90.1	4L900
VAX089	AX89	91.1	4L910
VAX090	AX90	92.1	4L920
VAX091	AX91	93.1	4L930
VAX092	AX92	94.1	4L940
VAX093	AX93	95.1	4L950
VAX094	AX94	96.1	4L960
VAX095	AX95	97.1	4L970
VAX096	AX96	98.1	4L980
VAX097	AX97	99.1	4L990
VAX098	AX98	100.1	4L1000
VAX099	AX99	101.1	4L1010
VAX100	AX100	102.1	4L1020
VAX103	AX103	105.1	4L1050
VAX105	AX105	107.1	4L1070
VAX112	AX112	114.1	4L1140
VAX124	AX124	126.1	4L1260
VAX136	AX136	138.1	4L1380
VBX022	BX22	25.1	5L250
VBX023	BX23	26.1	5L260
VBX024	BX24	27.1	5L270
VBX025	BX25	28.1	5L280
VBX026	BX26	29.1	5L290
VBX027	BX27	30.1	5L300
VBX028	BX28	31.1	5L310
VBX029	BX29	32.1	5L320
VBX030	BX30	33.1	5L330
VBX031	BX31	34.1	5L340
VBX032	BX32	35.1	5L350
VBX033	BX33	36.1	5L360
VBX034	BX34	37.1	5L370
VBX035	BX35	38.1	5L380
VBX036	BX36	39.1	5L390
VBX037	BX37	40.1	5L400
VBX038	BX38	41.1	5L410
VBX039	BX39	42.1	5L420
VBX040	BX40	43.1	5L430
VBX041	BX41	44.1	5L440
VBX042	BX42	45.1	5L450
VBX043	BX43	46.1	5L460
VBX044	BX44	47.1	5L470
VBX045	BX45	48.1	5L480
VBX046	BX46	49.1	5L490

V-BELTS

X5 EPDM RUBBER BELTS

POWER TRANSMISSION

Part #	Size	OC	4L/5L Equivalent
VBX047	BX47	50.1	5L500
VBX048	BX48	51.1	5L510
VBX049	BX49	52.1	5L520
VBX050	BX50	53.1	5L530
VBX051	BX51	54.1	5L540
VBX052	BX52	55.1	5L550
VBX053	BX53	56.1	5L560
VBX054	BX54	57.1	5L570
VBX055	BX55	58.1	5L580
VBX056	BX56	59.1	5L590
VBX057	BX57	60.1	5L600
VBX058	BX58	61.1	5L610
VBX059	BX59	62.1	5L620
VBX060	BX60	63.1	5L630
VBX061	BX61	64.1	5L640
VBX062	BX62	65.1	5L650
VBX063	BX63	66.1	5L660
VBX064	BX64	67.1	5L670
VBX065	BX65	68.1	5L680
VBX066	BX66	69.1	5L690
VBX067	BX67	70.1	5L700
VBX068	BX68	71.1	5L710
VBX069	BX69	72.1	5L720
VBX070	BX70	73.1	5L730
VBX071	BX71	74.1	5L740
VBX072	BX72	75.1	5L750
VBX073	BX73	76.1	5L760
VBX074	BX74	77.1	5L770
VBX075	BX75	78.1	5L780
VBX076	BX76	79.1	5L790
VBX077	BX77	80.1	5L800
VBX078	BX78	81.1	5L810
VBX079	BX79	82.1	5L820
VBX080	BX80	83.1	5L830
VBX081	BX81	84.1	5L840
VBX082	BX82	85.1	5L850
VBX083	BX83	86.1	5L860
VBX084	BX84	87.1	5L870
VBX085	BX85	88.1	5L880
VBX086	BX86	89.1	5L890
VBX087	BX87	90.1	5L900
VBX088	BX88	91.1	5L910
VBX089	BX89	92.1	5L920

Part #	Size	OC	4L/5L Equivalent
VBX090	BX90	93.1	5L930
VBX091	BX91	94.1	5L940
VBX092	BX92	95.1	5L950
VBX093	BX93	96.1	5L960
VBX094	BX94	97.1	5L970
VBX095	BX95	98.1	5L980
VBX096	BX96	99.1	5L990
VBX097	BX97	100.1	5L1000
VBX098	BX98	101.1	5L1010
VBX099	BX99	102.1	5L1020
VBX100	BX100	103.1	5L1030
VBX101	BX101	104.1	5L1040
VBX103	BX103	106.1	5L1060
VBX104	BX104	107.1	5L1070
VBX105	BX105	108.1	5L1080
VBX106	BX106	109.1	5L1090
VBX108	BX108	111.1	5L1110
VBX109	BX109	112.1	5L1120
VBX110	BX110	113.1	5L1130
VBX112	BX112	115.1	5L1150
VBX113	BX113	116.1	5L1160
VBX114	BX114	117.1	5L1170
VBX115	BX115	118.1	5L1180
VBX116	BX116	119.1	5L1190
VBX120	BX120	123.1	5L1230
VBX121	BX121	124.1	5L1240
VBX123	BX123	126.1	5L1260
VBX124	BX124	127.1	5L1270
VBX125	BX125	128.1	5L1280
VBX128	BX128	131.1	5L1310
VBX133	BX133	136.1	5L1360
VBX136	BX136	139.1	5L1390
VBX140	BX140	143.1	-
VBX144	BX144	147.1	-
VBX148	BX148	151.1	-
VBX150	BX150	153.1	-
VBX152	BX152	155.1	-
VBX154	BX154	157.1	-
VBX158	BX158	161.1	-
VBX162	BX162	165.1	-
VBX173	BX173	176.1	-
VBX180	BX180	183.1	-
VBX195	BX195	198.1	-

V-BELTS

X5 EPDM RUBBER BELTS

Part #	Size	OC	4L/5L Equivalent
V CX051	CX51	55.2	-
V CX055	CX55	59.2	-
V CX060	CX60	64.2	-
V CX068	CX68	72.2	-
V CX072	CX72	76.2	-
V CX075	CX75	79.2	-
V CX078	CX78	82.2	-
V CX081	CX81	85.2	-
V CX085	CX85	89.2	-
V CX090	CX90	94.2	-
V CX096	CX96	100.2	-
V CX100	CX100	104.2	-
V CX101	CX101	105.2	-
V CX105	CX105	109.2	-
V CX106	CX106	110.2	-
V CX107	CX107	111.2	-
V CX109	CX109	113.2	-

Part #	Size	OC	4L/5L Equivalent
V CX112	CX112	116.2	-
V CX115	CX115	119.2	-
V CX116	CX116	120.2	-
V CX120	CX120	124.2	-
V CX124	CX124	128.2	-
V CX125	CX125	129.2	-
V CX128	CX128	132.2	-
V CX136	CX136	140.2	-
V CX142	CX142	146.2	-
V CX144	CX144	148.2	-
V CX150	CX150	154.2	-
V CX158	CX158	162.2	-
V CX162	CX162	166.2	-
V CX173	CX173	177.2	-
V CX176	CX176	180.2	-
V CX180	CX180	184.2	-
V CX195	CX195	199.2	-

POWER TRANSMISSION



KEVLAR* CORDED LAWN & GARDEN BELTS

Bestorq "LIGHTNING" Lawn & Garden V-belts are for the most severe lawn & garden applications. They have a best in class outer fabric wrap and use true Kevlar* tensile members. Use them for lawn & garden equipment of all types, ag equipment, and industrial drives.



Part #	Size	OC
VL3L0240	3L240LG	24
VL3L0250	3L250LG	25
VL3L0260	3L260LG	26
VL3L0270	3L270LG	27
VL3L0280	3L280LG	28
VL3L0290	3L290LG	29
VL3L0300	3L300LG	30
VL3L0310	3L310LG	31
VL3L0320	3L320LG	32

Part #	Size	OC
VL3L0330	3L330LG	33
VL3L0340	3L340LG	34
VL3L0350	3L350LG	35
VL4L0220	A20LG	22
VL4L0230	A21LG	23
VL4L0240	A22LG	24
VL4L0250	A23LG	25
VL4L0260	A24LG	26
VL4L0270	A25LG	27

V-BELTS

KEVLAR* CORDED LAWN & GARDEN BELTS

POWER TRANSMISSION

Part #	Size	OC
VL4L0280	A26LG	28
VL4L0290	A27LG	29
VL4L0300	A28LG	30
VL4L0310	A29LG	31
VL4L0320	A30LG	32
VL4L0330	A31LG	33
VL4L0340	A32LG	34
VL4L0350	A33LG	35
VL4L0360	A34LG	36
VL4L0370	A35LG	37
VL4L0380	A36LG	38
VL4L0390	A37LG	39
VL4L0400	A38LG	40
VL4L0410	A39LG	41
VL4L0420	A040LG	42
VL4L0430	A041LG	43
VL4L0440	A042LG	44
VL4L0450	A043LG	45
VL4L0460	A044LG	46
VL4L0470	A045LG	47
VL4L0480	A046LG	48
VL4L0490	A047LG	49
VL4L0500	A048LG	50
VL4L0510	A049LG	51
VL4L0520	A050LG	52
VL4L0530	A051LG	53
VL4L0540	A052LG	54
VL4L0550	A053LG	55
VL4L0560	A054LG	56
VL4L0570	A055LG	57
VL4L0580	A056LG	58
VL4L0590	A057LG	59
VL4L0600	A058LG	60
VL4L0610	A059LG	61
VL4L0620	A060LG	62
VL4L0630	A061LG	63
VL4L0640	A062LG	64
VL4L0650	A063LG	65
VL4L0660	A064LG	66
VL4L0670	A065LG	67
VL4L0680	A066LG	68

Part #	Size	OC
VL4L0690	A067LG	69
VL4L0700	A068LG	70
VL4L0710	A069LG	71
VL4L0720	A070LG	72
VL4L0730	A071LG	73
VL4L0740	A072LG	74
VL4L0750	A073LG	75
VL4L0760	A074LG	76
VL4L0770	A075LG	77
VL4L0780	A076LG	78
VL4L0790	A077LG	79
VL4L0800	A078LG	80
VL4L0810	A079LG	81
VL4L0820	A080LG	82
VL4L0830	A081LG	83
VL4L0840	A082LG	84
VL4L0850	A083LG	85
VL4L0860	A084LG	86
VL4L0870	A085LG	87
VL4L0880	A086LG	88
VL4L0890	A087LG	89
VL4L0900	A088LG	90
VL4L0910	A089LG	91
VL4L0920	A090LG	92
VL4L0930	A091LG	93
VL4L0940	A092LG	94
VL4L0950	A093LG	95
VL4L0960	A094LG	96
VL4L0970	A095LG	97
VL4L0980	A096LG	98
VL4L0990	A097LG	99
VL4L1000	A098LG	100
VL4L1010	A099LG	101
VL4L1020	A100LG	102
VL4L1030	A101LG	103
VL4L1040	A102LG	104
VL4L1050	A103LG	105
VL4L1080	A104LG	106
VL4L1090	A105LG	107
VL4L1100	A108LG	110
VL4L1110	A109LG	111

V-BELTS

KEVLAR* CORDED LAWN & GARDEN BELTS

Part #	Size	OC
VL4L1120	A110LG	112
VL4L1130	A111LG	113
VL4L1140	A112LG	114
VL4L1150	A113LG	115
VL4L1160	A114LG	116
VL4L1170	A115LG	117
VL4L1180	A116LG	118
VL4L1190	A117LG	119
VL4L1200	A118LG	120
VL5L0340	B31LG	34
VL5L0350	B32LG	35
VL5L0360	B33LG	36
VL5L0370	B34LG	37
VL5L0380	B35LG	38
VL5L0390	B36LG	39
VL5L0400	B37LG	40
VL5L0410	B38LG	41
VL5L0420	B39LG	42
VL5L0430	B040LG	43
VL5L0440	B041LG	44
VL5L0450	B042LG	45
VL5L0460	B043LG	46
VL5L0470	B044LG	47
VL5L0480	B045LG	48
VL5L0490	B046LG	49
VL5L0500	B047LG	50
VL5L0510	B048LG	51
VL5L0520	B049LG	52
VL5L0530	B050LG	53
VL5L0540	B051LG	54
VL5L0550	B052LG	55
VL5L0560	B053LG	56
VL5L0570	B054LG	57
VL5L0580	B055LG	58
VL5L0590	B056LG	59
VL5L0600	B057LG	60
VL5L0610	B058LG	61
VL5L0620	B059LG	62
VL5L0630	B060LG	63
VL5L0640	B061LG	64
VL5L0650	B062LG	65

Part #	Size	OC
VL5L0660	B063LG	66
VL5L0670	B064LG	67
VL5L0680	B065LG	68
VL5L0690	B066LG	69
VL5L0700	B067LG	70
VL5L0710	B068LG	71
VL5L0720	B069LG	72
VL5L0730	B070LG	73
VL5L0740	B071LG	74
VL5L0750	B072LG	75
VL5L0760	B073LG	76
VL5L0770	B074LG	77
VL5L0780	B075LG	78
VL5L0790	B076LG	79
VL5L0800	B077LG	80
VL5L0810	B078LG	81
VL5L0820	B079LG	82
VL5L0830	B080LG	83
VL5L0840	B081LG	84
VL5L0850	B082LG	85
VL5L0860	B083LG	86
VL5L0870	B084LG	87
VL5L0880	B085LG	88
VL5L0890	B086LG	89
VL5L0900	B087LG	90
VL5L0910	B088LG	91
VL5L0920	B089LG	92
VL5L0930	B090LG	93
VL5L0940	B091LG	94
VL5L0950	B092LG	95
VL5L0960	B093LG	96
VL5L0970	B094LG	97
VL5L0980	B095LG	98
VL5L0990	B096LG	99
VL5L1000	B097LG	100
VL5L1010	B098LG	101
VL5L1020	B099LG	102
VL5L1030	B100LG	103
VL5L1040	B101LG	104
VL5L1050	B102LG	105
VL5L1060	B103LG	106

V-BELTS

KEVLAR* CORDED LAWN & GARDEN BELTS

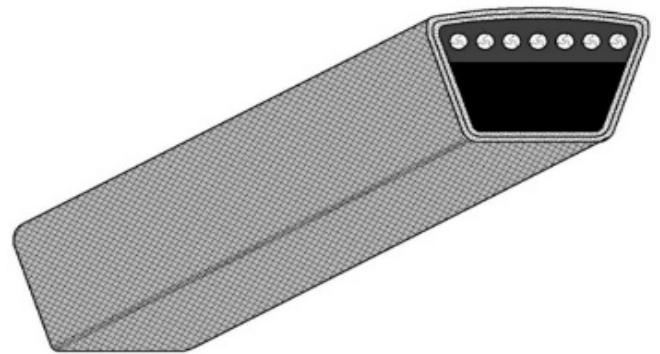
Part #	Size	OC
VL5L1070	B104LG	107
VL5L1080	B105LG	108
VL5L1090	B106LG	109
VL5L1100	B107LG	110
VL5L1110	B108LG	111
VL5L1120	B109LG	112
VL5L1130	B110LG	113
VL5L1140	B111LG	114
VL5L1150	B112LG	115

Part #	Size	OC
VL5L1160	B113LG	116
VL5L1170	B114LG	117
VL5L1180	B115LG	118
VL5L1190	B116LG	119
VL5L1200	B117LG	120
VL5L1210	B118LG	121
VL5L1220	B119LG	123
VL5L1230	B120LG	124

*Registered Trademark of Dupont

CLASSICAL

Part #	Size	OC	4L/5L Equivalent
VA020	A20	22.1	4L220
VA021	A21	23.1	4L230
VA022	A22	24.1	4L240
VA023	A23	25.1	4L250
VA024	A24	26.1	4L260
VA025	A25	27.1	4L270
VA026	A26	28.1	4L280
VA027	A27	29.1	4L290
VA028	A28	30.1	4L300
VA029	A29	31.1	4L310
VA030	A30	32.1	4L320
VA031	A31	33.1	4L330
VA032	A32	34.1	4L340
VA033	A33	35.1	4L350
VA034	A34	36.1	4L360
VA035	A35	37.1	4L370
VA036	A36	38.1	4L380
VA037	A37	39.1	4L390
VA038	A38	40.1	4L400
VA039	A39	41.1	4L410
VA040	A40	42.1	4L420
VA041	A41	43.1	4L430
VA042	A42	44.1	4L440
VA043	A43	45.1	4L450
VA044	A44	46.1	4L460
VA045	A45	47.1	4L470



Part #	Size	OC	4L/5L Equivalent
VA046	A46	48.1	4L480
VA047	A47	49.1	4L490
VA048	A48	50.1	4L500
VA049	A49	51.1	4L510
VA050	A50	52.1	4L520
VA051	A51	53.1	4L530
VA052	A52	54.1	4L540
VA053	A53	55.1	4L550
VA054	A54	56.1	4L560
VA055	A55	57.1	4L570
VA056	A56	58.1	4L580
VA057	A57	59.1	4L590
VA058	A58	60.1	4L600
VA059	A59	61.1	4L610

V-BELTS

CLASSICAL

Part #	Size	OC	4L/5L Equivalent
VA060	A60	62.1	4L620
VA061	A61	63.1	4L630
VA062	A62	64.1	4L640
VA063	A63	65.1	4L650
VA064	A64	66.1	4L660
VA065	A65	67.1	4L670
VA066	A66	68.1	4L680
VA067	A67	69.1	4L690
VA068	A68	70.1	4L700
VA069	A69	71.1	4L710
VA070	A70	72.1	4L720
VA071	A71	73.1	4L730
VA072	A72	74.1	4L740
VA073	A73	75.1	4L750
VA074	A74	76.1	4L760
VA075	A75	77.1	4L770
VA076	A76	78.1	4L780
VA077	A77	79.1	4L790
VA078	A78	80.1	4L800
VA079	A79	81.1	4L810
VA080	A80	82.1	4L820
VA081	A81	83.1	4L830
VA082	A82	84.1	4L840
VA083	A83	85.1	4L850
VA084	A84	86.1	4L860
VA085	A85	87.1	4L870
VA086	A86	88.1	4L880
VA087	A87	89.1	4L890
VA088	A88	90.1	4L900
VA089	A89	91.1	4L910
VA090	A90	92.1	4L920
VA091	A91	93.1	4L930
VA092	A92	94.1	4L940
VA093	A93	95.1	4L950
VA094	A94	96.1	4L960
VA095	A95	97.1	4L970
VA096	A96	98.1	4L980
VA097	A97	99.1	4L990
VA098	A98	100.1	4L1000
VA099	A99	101.1	-

Part #	Size	OC	4L/5L Equivalent
VA100	A100	102.1	-
VA101	A101	103.1	-
VA102	A102	104.1	-
VA103	A103	105.1	-
VA104	A104	106.1	-
VA105	A105	107.1	-
VA106	A106	108.1	-
VA107	A107	109.1	-
VA108	A108	110.1	-
VA109	A109	111.1	-
VA110	A110	112.1	-
VA112	A112	114.1	-
VA113	A113	115.1	-
VA114	A114	116.1	-
VA115	A115	117.1	-
VA116	A116	118.1	-
VA120	A120	122.1	-
VA124	A124	126.1	-
VA126	A126	128.1	-
VA128	A128	130.1	-
VA130	A130	132.1	-
VA131	A131	133.1	-
VA132	A132	134.1	-
VA133	A133	135.1	-
VA135	A135	137.1	-
VA136	A136	138.1	-
VB025	B25	28.1	5L280
VB026	B26	29.1	5L290
VB027	B27	30.1	5L300
VB028	B28	31.1	5L310
VB029	B29	32.1	5L320
VB030	B30	33.1	5L330
VB031	B31	34.1	5L340
VB032	B32	35.1	5L350
VB033	B33	36.1	5L360
VB034	B34	37.1	5L370
VB035	B35	38.1	5L380
VB036	B36	39.1	5L390
VB037	B37	40.1	5L400
VB038	B38	41.1	5L410

V-BELTS

CLASSICAL

POWER TRANSMISSION

Part #	Size	OC	4L/5L Equivalent
VB039	B39	42.1	5L420
VB040	B40	43.1	5L430
VB041	B41	44.1	5L440
VB042	B42	45.1	5L450
VB043	B43	46.1	5L460
VB044	B44	47.1	5L470
VB045	B45	48.1	5L480
VB046	B46	49.1	5L490
VB047	B47	50.1	5L500
VB048	B48	51.1	5L510
VB049	B49	52.1	5L520
VB050	B50	53.1	5L530
VB051	B51	54.1	5L540
VB052	B52	55.1	5L550
VB053	B53	56.1	5L560
VB054	B54	57.1	5L570
VB055	B55	58.1	5L580
VB056	B56	59.1	5L590
VB057	B57	60.1	5L600
VB058	B58	61.1	5L610
VB059	B59	62.1	5L620
VB060	B60	63.1	5L630
VB061	B61	64.1	5L640
VB062	B62	65.1	5L650
VB063	B63	66.1	5L660
VB064	B64	67.1	5L670
VB065	B65	68.1	5L680
VB066	B66	69.1	5L690
VB067	B67	70.1	5L700
VB068	B68	71.1	5L710
VB069	B69	72.1	5L720
VB070	B70	73.1	5L730
VB071	B71	74.1	5L740
VB072	B72	75.1	5L750
VB073	B73	76.1	5L760
VB074	B74	77.1	5L770
VB075	B75	78.1	5L780
VB076	B76	79.1	5L790
VB077	B77	80.1	5L800
VB078	B78	81.1	5L810

Part #	Size	OC	4L/5L Equivalent
VB079	B79	82.1	5L820
VB080	B80	83.1	5L830
VB081	B81	84.1	5L840
VB082	B82	85.1	5L850
VB083	B83	86.1	5L860
VB084	B84	87.1	5L870
VB085	B85	88.1	5L880
VB086	B86	89.1	5L890
VB087	B87	90.1	5L900
VB088	B88	91.1	5L910
VB089	B89	92.1	5L920
VB090	B90	93.1	5L930
VB091	B91	94.1	5L940
VB092	B92	95.1	5L950
VB093	B93	96.1	5L960
VB094	B94	97.1	5L970
VB095	B95	98.1	5L980
VB096	B96	99.1	5L990
VB097	B97	100.1	5L1000
VB098	B98	101.1	-
VB099	B99	102.1	-
VB100	B100	103.1	-
VB101	B101	104.1	-
VB102	B102	105.1	-
VB103	B103	106.1	-
VB104	B104	107.1	-
VB105	B105	108.1	-
VB106	B106	109.1	-
VB107	B107	110.1	-
VB108	B108	111.1	-
VB109	B109	112.1	-
VB110	B110	113.1	-
VB111	B111	114.1	-
VB112	B112	115.1	-
VB113	B113	116.1	-
VB114	B114	117.1	-
VB115	B115	118.1	-
VB116	B116	119.1	-
VB117	B117	120.1	-
VB118	B118	121.1	-

V-BELTS

CLASSICAL

Part #	Size	OC	4L/5L Equivalent
VB120	B120	123.1	-
VB122	B122	125.1	-
VB123	B123	126.1	-
VB124	B124	127.1	-
VB125	B125	128.1	-
VB126	B126	129.1	-
VB128	B128	131.1	-
VB130	B130	133.1	-
VB131	B131	134.1	-
VB132	B132	135.1	-
VB133	B133	136.1	-
VB134	B134	137.1	-
VB135	B135	138.1	-
VB136	B136	139.1	-
VB137	B137	140.1	-
VB138	B138	141.1	-
VB140	B140	143.1	-
VB141	B141	144.1	-
VB142	B142	145.1	-
VB143	B143	146.1	-
VB144	B144	147.1	-
VB145	B145	148.1	-
VB146	B146	149.1	-
VB147	B147	150.1	-
VB148	B148	151.1	-
VB150	B150	153.1	-
VC046	C46	50.2	-
VC048	C48	52.2	-
VC049	C49	53.2	-
VC051	C51	55.2	-
VC052	C52	56.2	-
VC054	C54	58.2	-
VC055	C55	59.2	-
VC056	C56	60.2	-
VC057	C57	61.2	-
VC060	C60	64.2	-
VC061	C61	65.2	-
VC062	C62	66.2	-
VC063	C63	67.2	-
VC064	C64	68.2	-

Part #	Size	OC	4L/5L Equivalent
VC065	C65	69.2	-
VC066	C66	70.2	-
VC068	C68	72.2	-
VC070	C70	74.2	-
VC071	C71	75.2	-
VC072	C72	76.2	-
VC073	C73	77.2	-
VC074	C74	78.2	-
VC075	C75	79.2	-
VC076	C76	80.2	-
VC078	C78	82.2	-
VC079	C79	83.2	-
VC080	C80	84.2	-
VC081	C81	85.2	-
VC082	C82	86.2	-
VC083	C83	87.2	-
VC084	C84	88.2	-
VC085	C85	89.2	-
VC086	C86	90.2	-
VC087	C87	91.2	-
VC088	C88	92.2	-
VC090	C90	94.2	-
VC092	C92	96.2	-
VC093	C93	97.2	-
VC094	C94	98.2	-
VC095	C95	99.2	-
VC096	C96	100.2	-
VC097	C97	101.2	-
VC098	C98	102.2	-
VC099	C99	103.2	-
VC100	C100	104.2	-
VC101	C101	105.2	-
VC102	C102	106.2	-
VC103	C103	107.2	-
VC104	C104	108.2	-
VC105	C105	109.2	-
VC106	C106	110.2	-
VC107	C107	111.2	-
VC108	C108	112.2	-
VC109	C109	113.2	-

V-BELTS

POWER TRANSMISSION

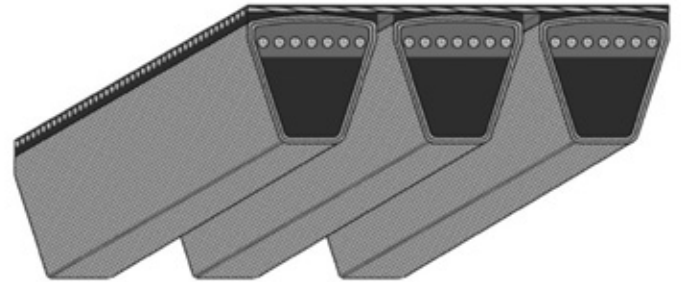
CLASSICAL

Part #	Size	OC	4L/5L Equivalent
VC110	C110	114.2	-
VC111	C111	115.2	-
VC112	C112	116.2	-
VC113	C113	117.2	-
VC114	C114	118.2	-
VC115	C115	119.2	-

Part #	Size	OC	4L/5L Equivalent
VC116	C116	120.2	-
VC117	C117	121.2	-
VC118	C118	122.2	-
VC119	C119	123.2	-
VC120	C120	124.2	-

CLASSICAL BANDED

Banded belts are an excellent alternative to using single matched belts since they are perfectly matched every time.



B Belts 2 Band

B Belts 2 Band	
Part #	Size
V2B046	B46/2
V2B048	B48/2
V2B051	B51/2
V2B052	B52/2
V2B053	B53/2
V2B055	B55/2
V2B056	B56/2
V2B058	B58/2
V2B059	B59/2
V2B060	B60/2
V2B061	B61/2
V2B062	B62/2
V2B064	B64/2
V2B065	B65/2
V2B066	B66/2
V2B067	B67/2
V2B068	B68/2
V2B069	B69/2
V2B070	B70/2

B Belts 2 Band	
Part #	Size
V2B071	B71/2
V2B072	B72/2
V2B073	B73/2
V2B074	B74/2
V2B075	B75/2
V2B078	B78/2
V2B079	B79/2
V2B080	B80/2
V2B081	B81/2
V2B082	B82/2
V2B083	B83/2
V2B085	B85/2
V2B090	B90/2
V2B093	B93/2
V2B095	B95/2
V2B096	B96/2
V2B097	B97/2
V2B103	B103/2
V2B105	B105/2

V-BELTS

CLASSIC BANDED

B Belts 2 Band

B Belts 2 Band	
Part #	Size
V2B108	B108/2
V2B112	B112/2
V2B116	B116/2
V2B120	B120/2

B Belts 2 Band	
Part #	Size
V2B124	B124/2
V2B128	B128/2
V2B133	B133/2
V2B136	B136/2

B Belts 3 Band

B Belts 3 Band	
Part #	Size
VB3B055	B55/3
VB3B058	B58/3
VB3B060	B60/3
VB3B062	B62/3
VB3B063	B63/3
VB3B065	B65/3
VB3B066	B66/3
VB3B067	B67/3
VB3B068	B68/3
VB3B070	B70/3
VB3B071	B71/3
VB3B073	B73/3
VB3B075	B75/3
VB3B077	B77/3
VB3B078	B78/3
VB3B079	B79/3
VB3B080	B80/3
VB3B081	B81/3

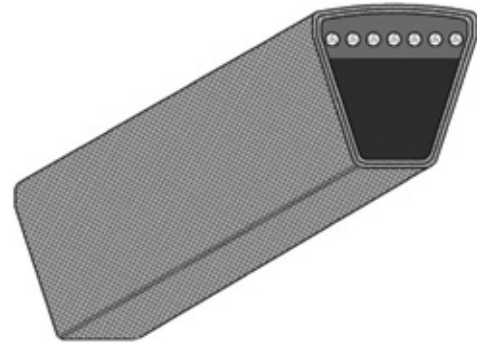
B Belts 3 Band	
Part #	Size
VB3B083	B83/3
VB3B085	B85/3
VB3B090	B90/3
VB3B093	B93/3
VB3B095	B95/3
VB3B096	B96/3
VB3B097	B97/3
VB3B100	B100/3
VB3B103	B103/3
VB3B105	B105/3
VB3B108	B108/3
VB3B112	B112/3
VB3B116	B116/3
VB3B120	B120/3
VB3B124	B124/3
VB3B128	B128/3
VB3B133	B133/3
VB3B136	B136/3

V-BELTS

WEDGE

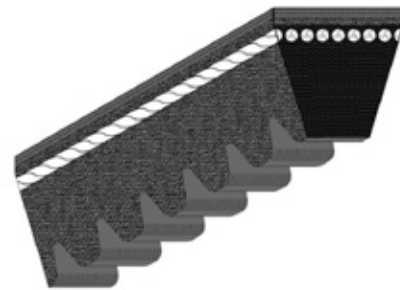
Wedge V-Belts feature a deep v design which allows a smaller belt to carry a heavier load. They can also operate at higher speeds, up to 6500 feet per minute. Outside circumference is determined by dividing the last 3 or 4 digits of the size by 10. Wedge belts are also available in the 8V size. Sizes not listed below are available in 3-7 days.

Part #	Size
V3V600	3V600
V5V670	5V670
V5V800	5V800



WEDGE COGGED

Wedge Cogged V-Belts offer the advantages of the Wedge belts along with the advantages of cogged belts! These are non stock belts except where noted otherwise with a *. Outside circumference is determined by dividing the last 3 or 4 digits of the size by 10.



V-BELTS

X5 EPDM RUBBER • WEDGE COGGED *CONTINUED FROM PREVIOUS PAGE

Part #	Size
V3VX250	3VX250
V3VX265	3VX265
V3VX280	3VX280
V3VX300	3VX300
V3VX315	3VX315
V3VX335	3VX335
V3VX355	3VX355
V3VX375	3VX375
V3VX400	3VX400
V3VX425	3VX425
V3VX450	3VX450
V3VX475	3VX475
V3VX500	3VX500
V3VX530	3VX530
V3VX560	3VX560
V3VX600	3VX600
V3VX630	3VX630
V3VX670	3VX670
V3VX710	3VX710
V3VX750	3VX750
V3VX800	3VX800
V3VX850	3VX850
V3VX900	3VX900
V3VX950	3VX950
V3VX1000	3VX1000
V3VX1060	3VX1060
V3VX1120	3VX1120
V3VX1180	3VX1180
V3VX1250	3VX1250

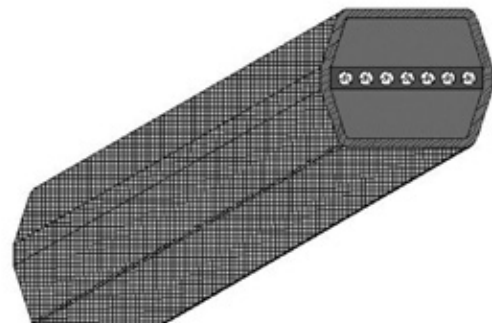
Part #	Size
V3VX1320	3VX1320
V3VX1400	3VX1400
V5VX500	5VX500
V5VX530	5VX530
V5VX560	5VX560
V5VX600	5VX600
V5VX630	5VX630
V5VX670	5VX670
V5VX710	5VX710
V5VX750	5VX750
V5VX800	5VX800
V5VX850	5VX850
V5VX900	5VX900
V5VX950	5VX950
V5VX1000	5VX1000
V5VX1060	5VX1060
V5VX1120	5VX1120
V5VX1180	5VX1180
V5VX1230	5VX1230
V5VX1250	5VX1250
V5VX1320	5VX1320
V5VX1400	5VX1400
V5VX1500	5VX1500
V5VX1600	5VX1600
V5VX1700	5VX1700
V5VX1800	5VX1800
V5VX1900	5VX1900
V5VX2000	5VX2000
VB5VX2000	5VX2000

POWER TRANSMISSION

Wedge V-Belts and Wedge Cogged V-Belts are also available banded. Please call for availability.

CLASSICAL HEX

Classical Hex V belts are dual sided and designed so that either side of the belt can be used as the driving surface. We do not stock these belts but they are available in 3-7 days. The AA are available in lengths between 51 and 128, BB are available in lengths between 43 and 300, and CC are available in lengths between 75 and 420.



DURODRIVE

DuroDrive belting is a belt you can take apart by hand so you can install the belt without disassembling the machine. It fits on the same pulleys as a regular a or b belt. It comes in 25' rolls and can be ordered in any length by 1" increments.



Part #	Size
VL3L	3L*
VLA	A
VLB	B

*Non-stock size. 2-3 day lead time.

ROLLER CHAIN



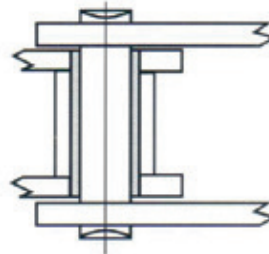
HKK Roller Chain is a premium quality roller chain which features solid bushings and solid rollers as standard on most of their chains. HKK is continually striving to make new breakthroughs in roller chain design. Combining quality, reliability, and cost with new technology and improved materials they provide the highest quality chain. HKK roller chain is manufactured in Japan.

POWER TRANSMISSION

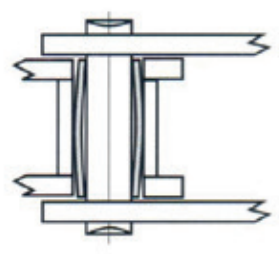
HKK's cold forged solid bushings and solid rollers retain their cylindrical inside and outside walls resulting in better pin bushing contact for longer chain life.

HKK's Aqua-Series Roller Chain is the perfect choice where corrosion resistance and high strength is needed. It provides far superior corrosion resistance to zinc or nickel plated chain and far superior strength to stainless steel chain.

Solid Bushing (A)



Split Bushing (B)

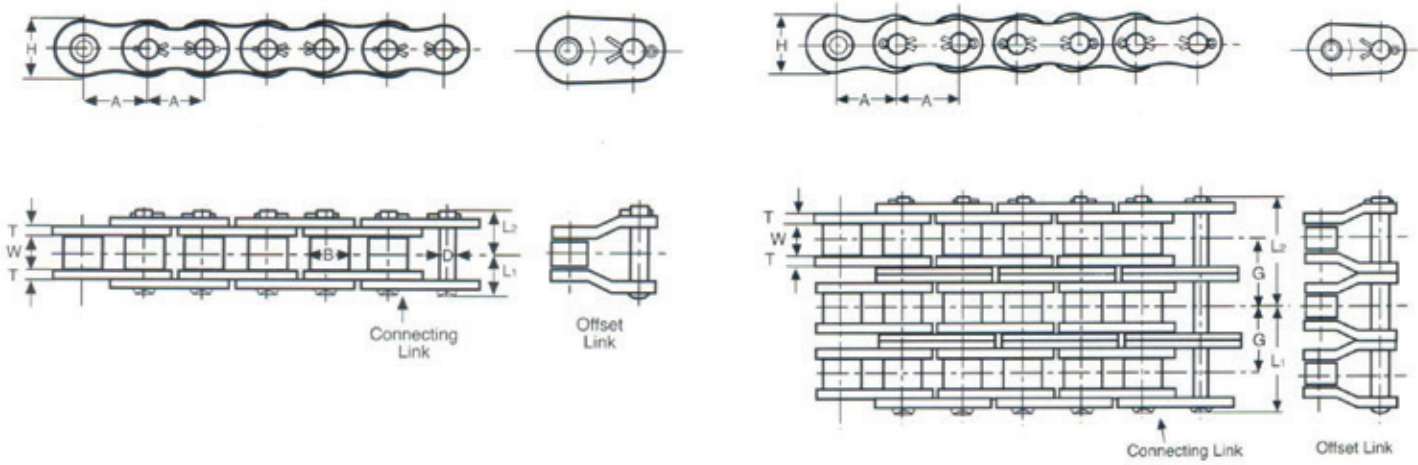


Salt Water Immersion Test		
Chain Type	Hours to Start Corrosion	Maximum Allowable Load
ZINC PLATED	48-60	1950 LBS.
NICKEL PLATED	48-60	1950 LBS.
AQUA-SERIES®	600-840	1950 LBS.
300 SERIES STAINLESS	840 (NO CORROSION)	231 LBS.

ROLLER CHAIN

Dimensions

POWER TRANSMISSION



Chain #	Pitch A	Roller		Pin	Plate		Overall Width		Maximum Allowable Load
		Diameter	Width	Diameter	Height	Thickness	L1	L2	
		B	W	D	H	T			
25	1/4	0.130	1/8	0.091	0.236	0.030	0.150	0.185	140
35	3/8	0.200	3/16	0.141	0.347	0.050	0.233	0.267	480
35-2	3/8	0.200	3/16	0.141	0.347	0.050	0.432	0.454	810
40	1/2	0.312	5/16	0.156	0.457	0.060	0.323	0.354	810
40-2	1/2	0.312	5/16	0.156	0.457	0.060	0.603	0.645	1370
40-3	1/2	0.312	5/16	0.156	0.457	0.060	0.882	0.933	2025
41	1/2	0.306	1/4	0.141	0.386	0.050	0.266	0.312	500
43	1/2	0.306	1/8	0.143	0.386	0.038	0.375*		**
50	5/8	0.400	3/8	0.200	0.571	0.080	0.400	0.445	1400
50-2	5/8	0.400	3/8	0.200	0.571	0.080	0.752	0.803	2380
60	3/4	0.469	1/2	0.234	0.689	0.094	0.500	0.548	1950
60-2	3/4	0.469	1/2	0.234	0.689	0.094	0.945	1.000	3315
60-3	3/4	0.469	1/2	0.234	0.689	0.094	1.386	1.457	4875
80	1	0.625	5/8	0.312	0.921	0.125	0.628	0.750	3300
80-2	1	0.625	5/8	0.312	0.921	0.125	1.201	1.319	5610
100	1 1/4	0.750	3/4	0.375	1.154	0.156	0.772	0.913	5060
100-2	1 1/4	0.750	3/4	0.375	1.154	0.156	1.475	1.608	8600
120	1 1/2	0.875	1	0.437	1.382	0.187	0.971	1.124	6800
120-2	1 1/2	0.875	1	0.437	1.382	0.187	1.857	2.010	11560
140	1 3/4	1.000	1	0.500	1.610	0.219	1.060	1.228	9000
160	2	1.125	1 1/4	0.562	1.839	0.250	1.262	1.435	11900
180	2 1/4	1.406	1 13/32	0.687	2.067	0.283	1.429	1.658	13000
200	2 1/2	1.562	1 1/2	0.781	2.354	0.312	1.542	1.876	16000

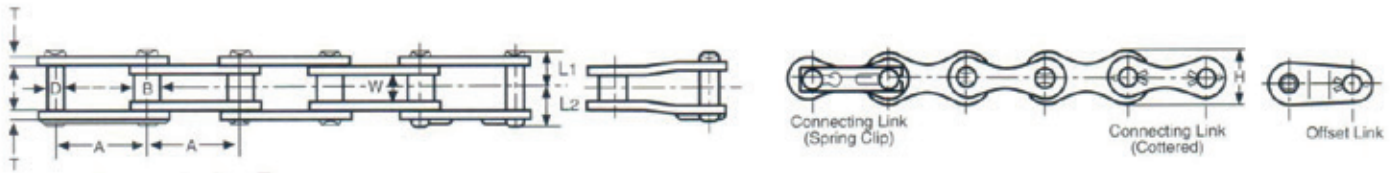
*Over all width for riveted chain.

**Maximum Allowable Load info unavailable, Average Ultimate Strength is 2100lb.

ROLLER CHAIN

Dimensions

Chain #	Pitch	Roller		Pin		Plate		Overall Width		Maximum Allowable Load
		Diameter	Width	Diameter	Height	Thickness	L1	L2		
		A	B	D	H	T	L1	L2		
50H	5/8	0.400	3/8	0.200	0.577	0.094	0.437	0.512	1400	
60H	3/4	0.469	1/2	0.234	0.689	0.125	0.565	0.644	2000	
60-2H	3/4	0.469	1/2	0.234	0.689	0.125	1.077	1.606	3400	
80H	1	0.625	5/8	0.312	0.921	0.156	0.699	0.817	3400	
100H	1 1/4	0.750	3/4	0.375	1.154	0.187	0.831	0.969	5200	
120H	1 1/2	0.875	1	0.437	1.382	0.219	1.036	1.208	7000	
140H	1 3/4	1.000	1	0.500	1.610	0.250	1.122	1.304	9200	
160H	2	1.125	1 1/4	0.562	1.839	0.281	1.333	1.534	12300	



Chain #	Pitch	Roller		Pin		Plate		Overall Width		Maximum Allowable Load
		Diameter	Width	Diameter	Height	Thickness	L1	L2		
		A	B	D	H	T	L1	L2		
A2040	1	0.312	5/16	0.156	0.450	0.060	0.323	0.378	600	
A2050	1 1/4	0.400	3/8	0.200	0.571	0.080	0.400	0.407	1000	
A2060	1 1/2	0.469	1/2	0.234	0.670	0.094	0.500	0.583	1300	
A2080	2	0.625	5/8	0.312	0.890	0.125	0.628	0.750	2300	
C2050	1 1/4	0.400	3/8	0.200	0.591	0.080	0.400	0.467	1000	
C2060H	1 1/2	0.469	1/2	0.234	0.670	0.125	0.565	0.657	1400	
C2080H	2	0.625	5/8	0.312	0.890	0.156	0.699	0.829	2400	
C2100H	2 1/2	0.750	3/4	0.375	1.126	0.187	0.831	0.969	3900	

ROLLER CHAIN

Please note: Part numbers are only listed for stock items. HKK carries a complete line of roller chain. Items missing part numbers are available in 3-5 days. Please see below for other types and sizes of roller chain that are available in 3-5 days.

The following sizes and types of roller chain are also stocked by HKK and are available in 3-5 days:

Standard Roller Chain in sizes up to 240 and in multiple strand

Heavy Roller Chain in sizes up to 200 and in 2 strand

Double Pitch Roller Chain Conveyor Type

Standard Rollers in C2040 to C2160H

Carrier Rollers in C0242 to C2162H

British Standard Roller Chain in 04B to 32B and in 2 strand

Standard Stainless Steel in sizes 25-120 and in 2 strand

British Standard Stainless Steel in sizes 05B-16B

Double Pitch Stainless Steel in sizes A2040 to C2100H

Leaf Chain (Forklift Chain) in AL and BL series

They also carry many attachments for the above chains.

Part #	Part #	Part #	Part #	Size
10' roll	50' reel	Connecting Link*	Offset Link*	
RCH025	-	RCH025C	RCH0250	25
RCH035	RCH03550	RCH035C	RCH0350	35
RCH040	RCH04050	RCH040C	RCH0400	40
RCH041	RCH04150	RCH041C	RCH0410	41
RCH043	RCH04350	RCH043C	RCH0430	43
RCH050	RCH05050	RCH050C	RCH0500	50
RCH060	RCH06050	RCH060C	RCH0600	60
RCH080	RCH08050	RCH080C	RCH0800	80
RCH100	-	RCH100C	RCH1000	100
RCH120	-	RCH120C	RCH1200	120
RCH140	-	RCH140C	RCH1400	140
RCH160	-	RCH160C	RCH1600	160
-	-	RCH352C	-	35-2
RCH402	-	RCH402C	RCH4020	40-2
RCH502	-	RCH502C	RCH5020	50-2
RCH602	RCH60250	RCH602C	RCH6020	60-2
-	-	RCH603C	RCH6030	60-3
RCH802	-	RCH802C	RCH8020	80-2
RCH050H	RCH050H50	RCH050HC	RCH050HO	50H
RCH060H	RCH060H50	RCH060HC	RCH060HO	60H
RCH080H	RCH080H50	RCH080HC	RCH080HO	80H
RCH100H	-	RCH100HC	RCH100HO	100H
RCH120H	-	RCH120HC	RCH120HO	120H
-	-	RCH160HC	-	160H
-	-	RCH602HC	RCH602HO	60-2H
RCH2040	RCH204050	RCH2040C	RCH20400	A2040
RCH2050	RCH205050	RCH2050C	RCH20500	A2050
RCH2060	RCH206050	RCH2060C	RCH20600	A2060
RCH2080	-	RCH2080C	RCH20800	A2080
-	-	RCHC2050C	RCHC20500	C2050
RCHC2060H	RCHC2060H50	RCHC2060HC	RCHC2060HO	C2060H
-	-	RCHC2080HC	-	C2080H
-	-	RCHC2100HC	RCHC2100HO	C2100H
-	-	RCHAS040C	RCHAS0400	40 AQUA SERIES
-	-	RCHAS050C	RCHAS0500	50 AQUA SERIES
RCHAS060	-	RCHAS060C	RCHAS0600	60 AQUA SERIES
RCHSS040	-	RCHSS040C	RCHSS0400	40 SS
RCHSS050	-	RCHSS050C	RCHSS0500	50 SS
RCHSS060	-	RCHSS060C	RCHSS0600	60 SS
RCHSS2050	-	RCHSS2050C	RCHSS20500	A2050 SS

*Connecting links are also commonly called repair links or master links. Offset Links are also commonly called half links or skip links.

ROLLER CHAIN

HKK® ROLLER CHAIN

Standard Length Packaging

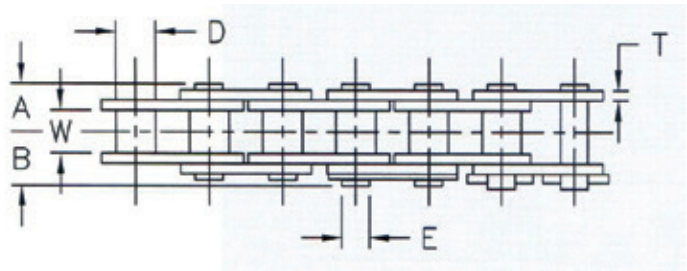
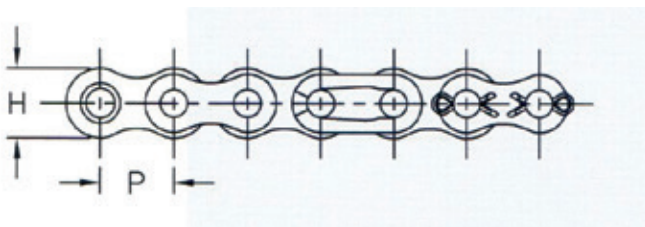
Chain #	10' Box	20' Box	50' Reel	100' Reel	200' Reel	250' Reel	500' Reel
25	X	-	-	-	-	-	X
35	X	X	X	X	-	X	-
40	X	X	X	X	X	-	-
41	X	-	-	-	-	X	-
50	X	X	X	X	-	-	-
60	X	X	X	X	-	-	-
80	X	-	X	-	-	-	-
100	X	-	X	-	-	-	-
120	X	-	-	-	-	-	-
140	X	-	-	-	-	-	-
160	X	-	-	-	-	-	-
180	X	-	-	-	-	-	-
200	X	-	-	-	-	-	-
240	X	-	-	-	-	-	-

ALLIED LOCKE CHAINS

Allied Locke Industries is an American manufacturer of many types of high quality ag chain, engineering class chain, and sprockets. They also import a quality precision roller chain.

ALI ROLLER CHAIN

ALI Roller Chain is a quality roller chain that is imported from China and Taiwan by Allied-Locke Industries. Its affordable price makes it especially attractive for less demanding applications.



Please note: Part numbers are only listed for stock items. Allied-Locke carries a complete line of roller chain. Please call us for availability on items not listed here.

Part #	Part #	Part #	Part #	Size
10' roll	50' reel	Connecting Link*	Offset Link*	
-	-	RC025C	RC0250	25
RCA035	-	RC035C	RC0350	35
RCA040	RCA04050	RC040C	RC0400	40
RCA041	RCA04150	RC041C	RC0410	41
RCA050	RCA05050	RC050C	RC0500	50
RCA060	RCA06050	RC060C	RC0600	60
RCA080	RCA08050	RC080C	RC0800	80

Part #	Part #	Part #	Part #	Size
10' roll	50' reel	Connecting Link*	Offset Link*	
-	-	RC100C	RC1000	100
-	-	-	RC1200	120
RCA050H	-	RC050HC	RC050HO	50H
RCA060H	-	RC060HC	RC060HO	60H
-	RCA080H50	RC080HC	RC080HO	80H
RCA352	-	RC352C	RC3520	35-2

ALI ROLLER CHAIN & AGRICULTURAL ROLLER CHAIN

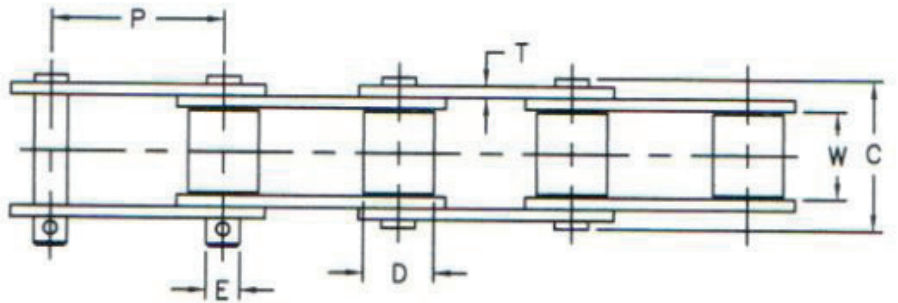
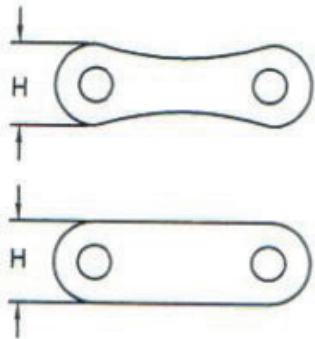
POWER TRANSMISSION

ALI ROLLER CHAIN

Part #	Part #	Part #	Part #	Size
10' roll	50' reel	Connecting Link*	Offset Link*	
RCA502	-	-	RC5020	50-2
-	-	-	RC6020	60-2
RCA802	-	RC802C	RC8020	80-2
RCA2040	RCA204050	RC2040C	RC20400	A2040
RCA2050	RCA205050	RC2050C	RC20500	A2050
RCA2060	RCA206050	RC2060C	RC20600	A2060
-	-	RC2080C	RC20800	A2080
-	-	RCC2060C	RCC20600	C2060

Part #	Part #	Part #	Part #	Size
10' roll	50' reel	Connecting Link*	Offset Link*	
RCAC2080H	-	RCAC2080HC	-	C2080H
-	-	RCSS040C	RCSS0400	40 SS
RCASS050	-	RCSS050C	RCSS0500	50 SS
RCASS060	-	RCSS060C	RCSS0600	60 SS
-	-	RCSSC2040C	RCSSC20400	C2040 SS
-	-	RCSS2050C	RCSS20500	A2050 SS

AGRICULTURAL ROLLER CHAIN



Dimensions

Chain #	Pitch	Roller		Pin	Plate		Overall Width		Average Ultimate Strength
		Width	Diameter	Diameter	Height	Thickness	C		
		P	W	D	E	H	T	Riveted	
CA550	1.63	51/64	0.656	0.281	3/4	0.105	1 3/8	1 9/16	11250
CA555	1.63	1/2	0.656	0.281	3/4	0.125	1 11/64	1 1/4	11250
CA557	1.63	51/64	0.700	0.315	29/32	0.125	1 15/32	1 19/32	16500
CA620	1.654	63/64	0.696	0.281	3/4	0.125	1 41/64	1 27/32	12000

The Agricultural Roller Chain we carry is made in USA by Allied Locke. CA550 has the same pitch as 55 steel detachable chain and CA620 has the same pitch as 62 steel detachable chain.

Part #	Part #	Part #	Size
10' roll	Connecting Link*	Offset Link*	
RCACA550	RCACA550C	RCACA5500	550
RCACA555 *	RCACA555C	RCACA5550	555
RCACA557 *	RCACA557C	RCACA5570 *	557
RCACA620	RCACA620C	RCACA6200	620

*Non stock Items. Lead time is 1-3 weeks.

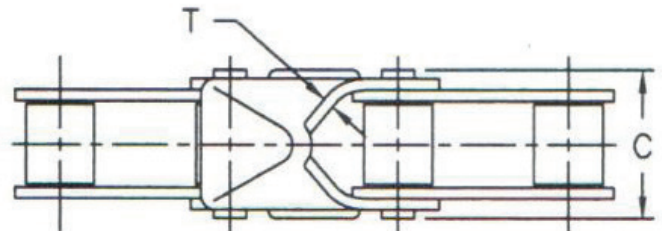
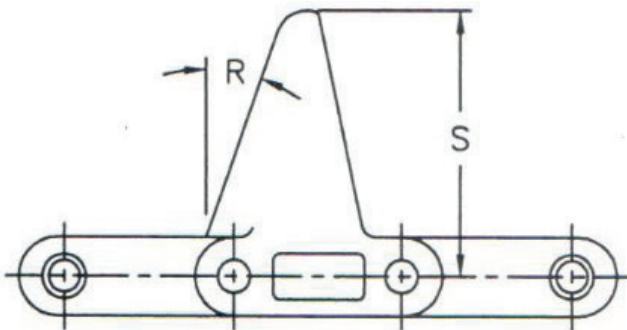
AGRICULTURAL ROLLER CHAIN & TRANSFER CHAIN

AGRICULTURAL ROLLER CHAIN

GATHERING CHAINS

Part #	Description
RCACA550W/C11E	CA550 X 150 LINKS W/C11E ATTACHMENTS EVERY 6 LINKS
RCACA550W/C11E49	CA550 X 49 LINKS W/C11E ATTACHMENTS EVERY 6 LINKS
RCACA550W/C11E93	CA550 X 93 LINKS W/C11E ATTACHMENTS EVERY 6 LINKS
RCACA550W/C13E	CA550 X 44 LINKS W/C13E ATTACHMENTS EVERY 4 LINKS
RCACA620W/C13E	CA620 X 71 LINKS W/C13E ATTACHMENTS EVERY 4 LINKS
RCACA620W/C14E	CA620 X 78 LINKS W/C14E ATTACHMENTS EVERY 6 LINKS

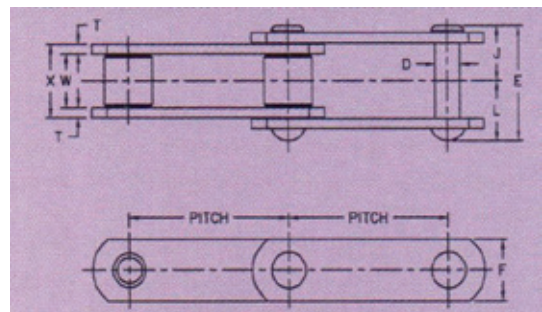
Finger Dimensions



Finger	Chain #	C	R	S	T
C11E	CA550	1 17/64	17°	2 1/2	0.105
C13E	CA550	1 17/64	15°	3 5/8	0.105
C13E	CA620	1 17/32	15°	3 5/8	0.125
C14E	CA620	1 7/32	25°	2 21/32	0.125

TRANSFER CHAIN

Dimensions



Chain	Pitch	D	E	F	H	T	W
81X	2.609	0.438	2.000	1.120	0.910	0.160	1.070
81XH	2.609	0.438	2.380	1.270	0.910	0.22/0.31	1.070

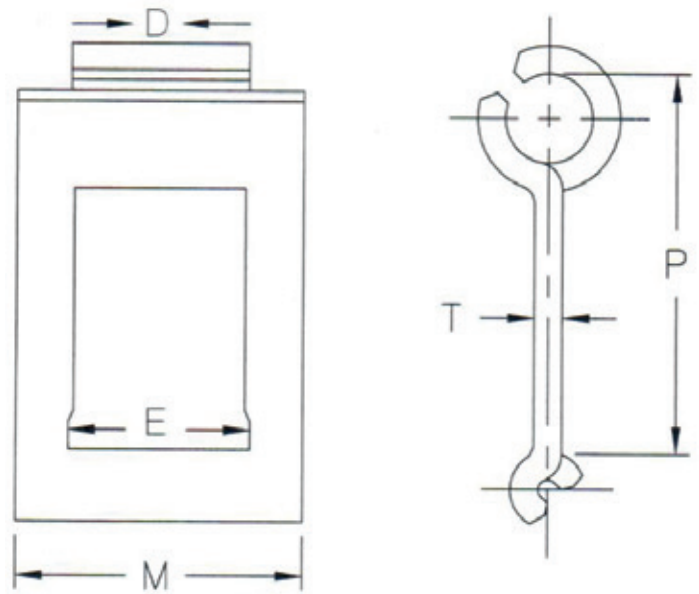
Part #	Chain #	Description
RC81X	81X	CHAIN
RC81XC	81X	CONNECTING LINK
RC81XHC	81XH	CONNECTING LINK

POWER TRANSMISSION

STEEL DETACHABLE CHAIN

Dimensions

POWER TRANSMISSION



Chain #	P	M	E	D	T
25	0.904	45/64	0.438	0.422	0.073
32	1.157	15/16	0.610	0.594	0.090
32W	1.157	1 1/16	0.610	0.594	0.079
33	1.402	1 1/16	0.627	0.610	0.095
42	1.375	1 7/32	0.800	0.781	0.105
50H	1.375	1 9/32	0.798	0.781	0.125
51	1.133	1 3/32	0.720	0.703	0.105
52	1.508	1 13/32	0.760	0.840	0.125
55	1.630	1 9/32	0.813	0.796	0.125
62	1.654	1 9/16	1.002	0.984	0.148
62A	1.664	1 15/16	1.002	0.984	0.172
62H	1.654	1 7/8	1.002	0.984	0.148
67H	2.313	1 7/8	1.110	1.093	0.185
67XH	2.313	1 7/8	1.110	1.093	0.200
67W	2.313	2 3/8	1.110	1.093	0.148
70	2.013	1 15/16	1.110	1.093	0.172
72	2.025	1 15/16	1.110	1.093	0.172
72½	1.643	1 15/16	1.172	1.156	0.148
S	2.906	2	1.116	1.093	0.172

Part #	Chain #	Links in 10'	Average Ultimate Strength
SDC25	25	133	950
SDC32	32	104	1650
SDC32W	32W	104	1650
SDC33	33	86	1650
SDC42	42	87	2300
SDC50H	50H	87	2600
SDC51	51	106	2100
SDC52	52	80	2700
SDC55	55	74	2800
SDC62	62	73	4200
SDC62A	62A	72	5500
SDC62H	62H	73	4400
SDC67H	67H	52	5500
SDC67XH	67XH	52	6800
SDC67W	67W	52	4800
SDC70	70	60	4800
SDC72	72	59	4800
SDC725	72½	73	4500
SDCS	S	41	4800

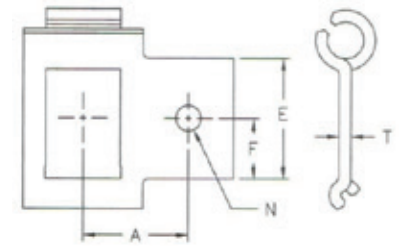
The Steel Detachable Chain we carry is made in USA by Allied Locke. The chain is sold by 10' rolls and the attachments are sold by the piece.

STEEL DETACHABLE CHAIN

ATTACHMENT LINKS

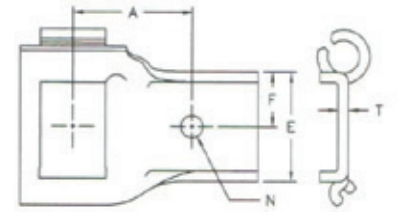
A1 Right & Left

Part # Left	Part # Right	Chain #	A	E	F	N	T
SDC55A1L	SDC55A1R	55	1 1/8	1 1/16	17/32	17/64	0.125
SDC62A1L	SDC62A1R	62	1 3/8	1 3/8	11/16	17/64	0.148



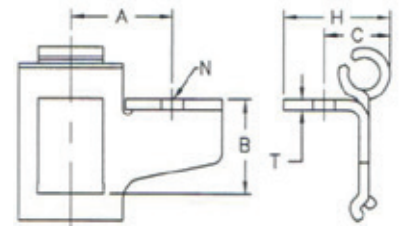
A2 Right & Left

Part # Left	Part # Right	Chain #	A	E	F	N	T
SDC55A2L	SDC55A2R	55	1 29/64	1 1/4	5/8	17/64	.125
SDC62A2L	SDC62A2R	62	1 9/16	1 1/4	5/8	17/64	.148



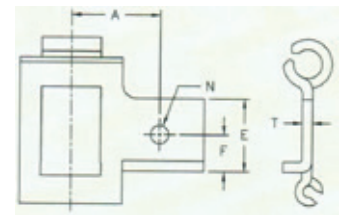
G27 Right & Left

Part # Left	Part # Right	Chain #	A	B	C	H	N	T
SDC55G27L	SDC55G27R	55	1 1/4	1	13/16	1 5/16	17/64	.125
SDC62G27L	SDC62G27R	62	1 5/16	1 1/16	11/16	1 1/16	17/64	.148



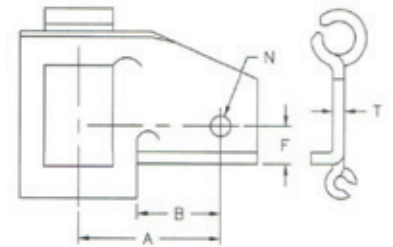
B Right & Left

Part # Left	Part # Right	Chain #	A	E	F	N	T
SDCSBL	SDCSBR	S	1 5/8	1 5/16	21/32	21/64	.170



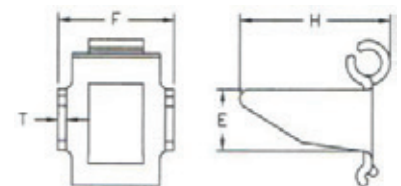
AS Right & Left

Part # Left	Part # Right	Chain #	A	B	F	N	T
SDC67HASL	SDC67HASR	67H	2 1/32	1 3/32	9/16	21/64	.185
SDC67XHASL	SDC67XHASR	67XH	2 1/32	1 3/32	9/16	21/64	0.200



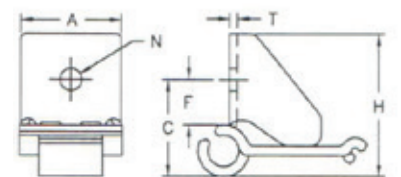
HB4

Part #	Chain #	E	F	H	T
SDC55HB4	55	7/8	1 11/16	2 3/16	.125
SDC62HB4	62	7/8	1 61/64	2 3/16	.148



C1

Part #	Chain #	A	C	F	H	N	T
SDC55C1	55	1 1/4	1 3/16	7/16	1 3/4	17/64	.105
SDC62C1	62	1 7/16	1 9/32	15/32	1 25/32	17/64	.105

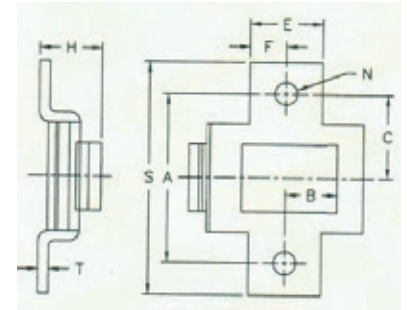


STEEL DETACHABLE CHAIN

ATTACHMENT LINKS

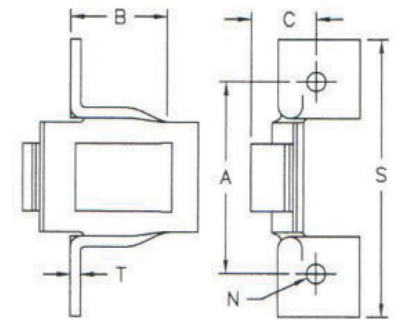
K1

Part #	Chain #	A	B	E	H	N	S	T
SDC55K1	55	2	5/8	7/8	3/4	17/64	2 3/4	.125
SDC62K1	62	2 15/32	5/8	7/8	37/64	17/64	3 1/4	.148



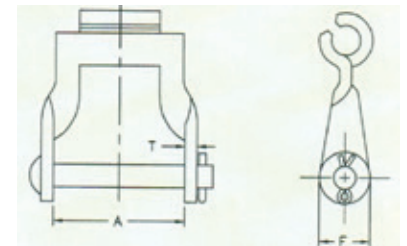
SD & SH

Part #	Chain #	A	B	C	N	S	T
SDC55SD	55	2 1/4	1 1/8	25/32	15/64	3 1/4	.125
SDC62SD	62	2 1/2	1 1/8	25/32	17/64	3 5/8	.148
SDC55SH	55	2 1/4	1 1/8	25/32	9/32	3 1/4	.125
SDC62SH	62	2 3/4	1 1/8	25/32	17/64	3 5/8	.148



C0

Part #	Chain #	A	F	T
SDC55C	55	1 3/8	5/8	.125
SDC62C	62	1 39/64	5/8	.148



CP & C23 Gathering Chain Fingers

Part #	Chain #
SDC62HCP	62H
SDC67WC23	67W



STEEL DETACHABLE CHAIN ASSEMBLIES

BALE ELEVATOR CHAIN

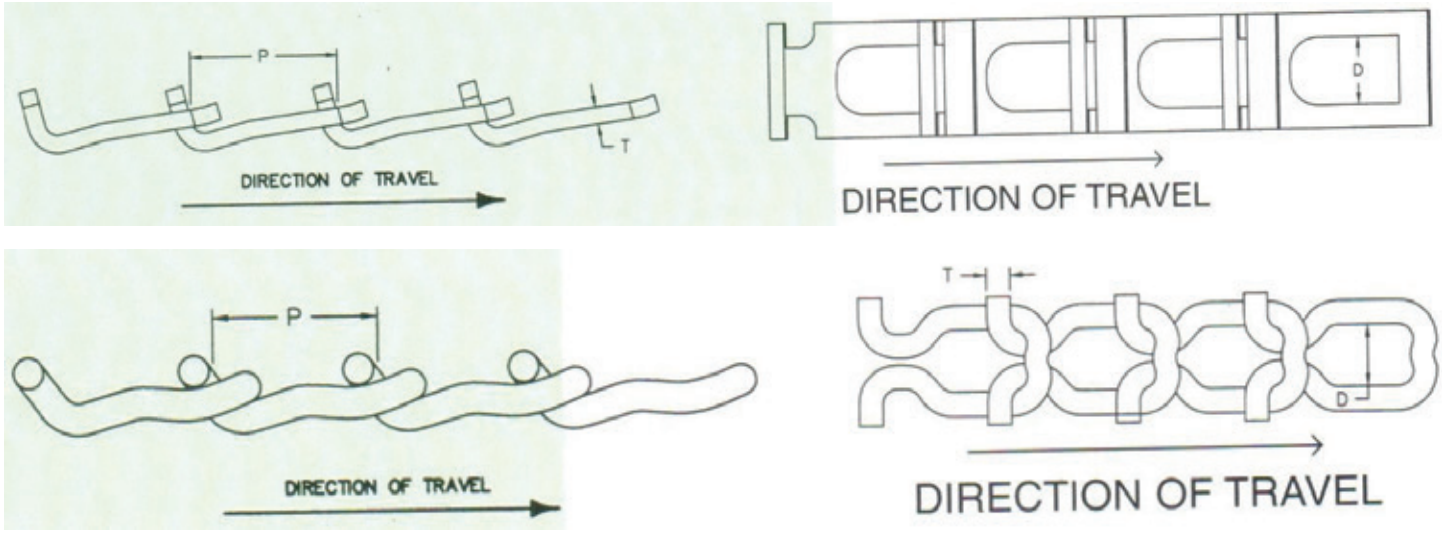
Part #	Chain #	Roll Length
SDC55W/HB4	55	16'
SDC62W/HB4	62	16'

MANURE SPREADER WEBS

Part #	Chain #	Application
SDCW08	67H	NEW IDEA SPREADERS #8 & #12
SDCW10	67H	NEW IDEA SPREADER #10
SDCW206	67H	NEW IDEA SPREADER #206
SDCWS	S	INTERNATIONAL SPREADERS
SDCWNA	67H	WEB WITHOUT ANGLES

T-BAR AND T-ROD CHAIN

T-Bar and T-Rod Chain is made in USA by Allied Locke except where noted otherwise. They are sold by the individual link.



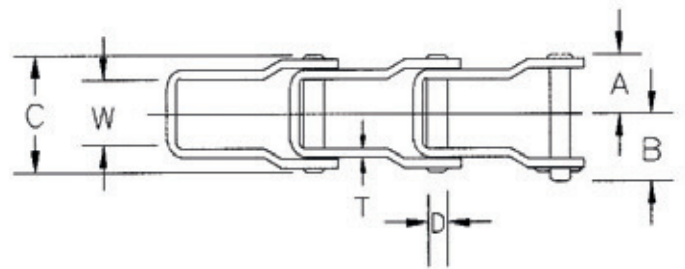
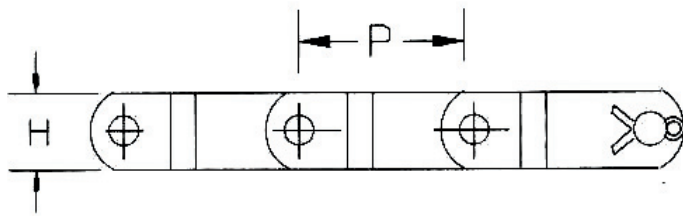
POWER TRANSMISSION

Part #	Chain #	Pitch	Inside Width	Thickness	Overall Width	Average Ultimate Strength
SDC67TB	AL67 T-BAR	2.55	1.093	.312	2	16,000
SDC67TR	AL67 T-ROD	2.388	1.125	.437	2.5	16,000
SDC67TRI	67 T-ROD*	2.388	1.125	.437	2.5	-

*Made in China

PINTLE CHAIN

POWER TRANSMISSION



Dimensions

Chain #	Pitch	Overall Width	Inside Width	Pin Diameter	Height	Thickness	Minimum Average Tensile Strength
	P	C	W	D	H	T	
AL662	1.664	1 5/8	29/32	0.281	0.720	0.125	8500
AL667H	2.313	1 47/64	1	0.312	0.875	0.125	9500
AL667X	2.250	1 61/64	1 1/16	0.437	0.937	0.170	15000
AL667XH	2.250	2 5/16	1 5/64	0.469	1.062	0.224	26000

Pintle Chain is made in USA by Allied Locke. It is sold by 10' rolls.

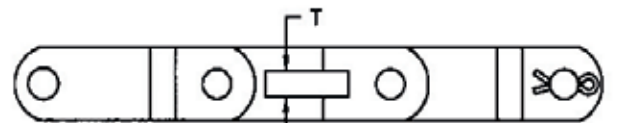
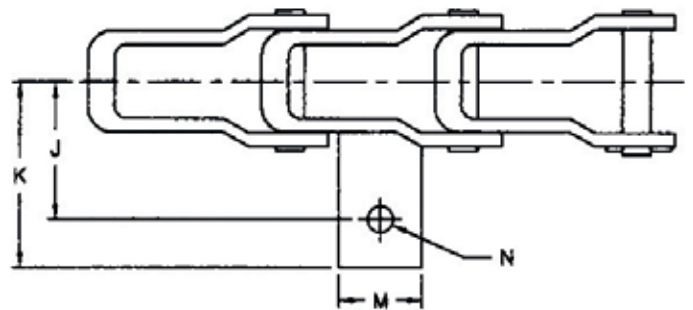
Part #	Chain #
PC662	AL662
PC667H	AL667H
PC667X	AL667X
PC667XH	AL667XH

CONNECTING LINKS

Connecting Links come with two pins.

Part #	Chain #
PC662C	AL662
PC667HC	AL667H
PC667XC	AL667X
PC667XHC	AL667XH

AS ATTACHMENT LINKS



Part #	Chain #	J	K	M	N	T
PC662AC	AL662	1 3/8	1 57/64	15/16	17/64	3/16
PC667HAC	AL667H	2 1/32	2 19/32	1 1/8	21/64	1/4
PC667XAC	AL667X	2 1/32	2 11/16	1 1/8	21/64	5/16
PC667XHAC	AL667XH	2 1/32	2 3/4	1 1/4	25/64	3/8

ROUND KEYED SHAFT

ROUND KEYED SHAFT



Round Keyed Shaft is cold drawn from 1018 steel. Round keyed shaft is also available in 6' and 12' lengths. It is also available in 1144 stress proof steel and 303 stainless steel in 3', 6', and 12' lengths.

Part #	G&G Part #	OD	Keyway	Length
EQ144-0800	144-0800	1/2	1/8	3'
EQ144-1000	144-1000	5/8	3/16	3'
EQ144-1100	144-1100	11/16	3/16	3'
EQ144-1200	144-1200	3/4	3/16	3'
EQ144-1300	144-1300	13/16	3/16	3'
EQ144-1400	144-1400	7/8	3/16	3'
EQ144-1404	144-1404	7/8	1/4	3'
EQ144-1600	144-1600	1	1/4	3'
EQ144-1800	144-1800	1 1/8	1/4	3'
EQ144-1900	144-1900	1 3/16	1/4	3'
EQ144-2000	144-2000	1 1/4	1/4	3'
EQ144-2005	144-2005	1 1/4	5/16	3'
EQ144-2100	144-2100	1 5/16	5/16	3'
EQ144-2200	144-2200	1 3/8	5/16	3'
EQ144-2300	144-2300	1 7/16	3/8	3'
EQ144-2400	144-2400	1 1/2	3/8	3'
EQ144-2600	144-2600	1 5/8	3/8	3'
EQ144-2800	144-2800	1 3/4	3/8	3'

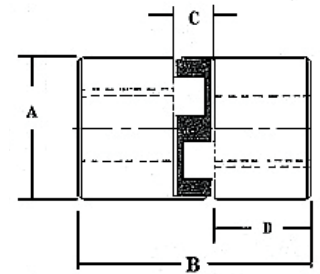
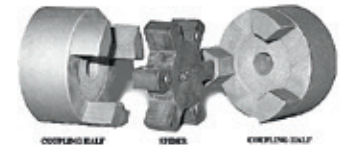
Part #	G&G Part #	OD	Keyway	Length
EQ144-3100	144-3100	1 15/16	1/2	3'
EQ144-3200	144-3200	2	1/2	3'
EQ144-3500	144-3500	2 3/16	1/2	3'
EQ144-3900	144-3900	2 7/16	5/8	3'
EQ144-4000	144-4000	2 1/2	5/8	3'
EQ144-4700	144-4700	2 15/16	3/4	3'
EQ144-4800	144-4800	3	3/4	3'
EQ144-5000	144-5000	3 1/8	3/4	3'
EQ144-5100	144-5100	3 3/16	3/4	3'
EQ144-5200	144-5200	3 1/4	3/4	3'
EQ144-5400	144-5400	3 3/8	7/8	3'
EQ144-5500	144-5500	3 7/16	7/8	3'
EQ144-5600	144-5600	3 1/2	7/8	3'
EQ144-5800	144-5800	3 5/8	7/8	3'
EQ144-6000	144-6000	3 3/4	7/8	3'
EQ144-6300	144-6300	3 15/16	1	3'
EQ144-6400	144-6400	4	1	3'

Shafting & Tubing are non-stock items. Lead time is 2-4 days. All shafting & tubing listed is made in the USA

MASTERDRIVE® JAW COUPLINGS

Dimensions

Coupling	A	B	C	D	Set Screw Size	Set Screw Quantity
L035	0.625	0.813	0.281	0.266	6-32 X 1/8	1
L050	1.063	1.721	0.470	0.625	1/4-20 X 3/16	1
L070	1.375	2.000	0.500	0.770	1/4-20 X 1/4	1
L075	1.750	2.126	0.480	0.820	1/4-20 X 3/8	1
L090	2.125	2.146	0.490	0.841	1/4-20 X 3/8	1
L095	2.125	2.520	0.455	1.020	5/16-18 X 3/8	2
L099	2.531	2.835	0.650	1.071	5/16-18 X 3/8	2
L100	2.531	3.459	0.660	1.368	5/16-18 X 3/8	2
L110	3.313	4.252	0.843	1.706	3/8-16 X 5/16	2
L150	3.750	4.500	0.940	1.771	3/8-16 X 1/2	2
L190	4.500	5.250	0.875	2.134	1/2-13 X 1/2	2
L225	5.000	6.142	0.942	2.500	1/2-13 X 1/2	2



POWER TRANSMISSION

Keyway Dimensions

Bore Size	Keyway
1/8, 3/16, 1/4, 5/16, 3/8, 7/16	NONE
1/2, 9/16	1/8 X 1/16
5/8, 11/16, 3/4, 13/16, 7/8	3/16 X 3/32
15/16, 1, 1 1/16, 1 1/8, 1 3/16, 1 1/4	1/4 X 1/8
1 5/16, 1 3/8	5/16 X 5/32
1 7/16, 1 1/2, 1 9/16, 1 5/8, 1 11/16, 1 3/4	3/8 X 3/16
1 7/8, 1 15/16, 2, 2 1/16, 2 1/8, 2 3/16, 2 1/4	1/2 X 1/4
2 3/8, 2 7/16, 2 1/2, 2 5/8	5/8 X 5/16

Jaw Coupling halves and spiders are sold separately. To order a complete jaw coupling, order two halves and one spider. Our jaw couplings are Masterdrive brand.

Part #	Size
EQML07505	L075-5/16
EQML07506	L075-3/8
EQML07507	L075-7/16
EQML07508	L075-1/2
EQML07510	L075-5/8
EQML07511	L075-11/16
EQML07512	L075-3/4
EQML07514	L075-7/8
EQML09007	L090-7/16
EQML09008	L090-1/2
EQML09009	L090-9/16
EQML09010	L090-5/8
EQML09012	L090-3/4

Part #	Size
EQML09014	L090-7/8
EQML09016	L090-1
EQML09018	L090-1 1/8
EQML09508	L095-1/2
EQML09510	L095-5/8
EQML09512	L095-3/4
EQML09514	L095-7/8
EQML09515	L095-15/16
EQML09516	L095-1
EQML09518	L095-1 1/8
EQML09908	L099-1/2
EQML09909	L099-9/16
EQML09910	L099-5/8

Part #	Size
EQML09912	L099-3/4
EQML09914	L099-7/8
EQML09916	L099-1
EQML09918	L099-1 1/8
EQML10008	L100-1/2
EQML10009	L100-9/16
EQML10010	L100-5/8
EQML10011	L100-11/16
EQML10012	L100-3/4
EQML10013	L100-13/16
EQML10014	L100-7/8
EQML10016	L100-1

Part #	Size
EQML10018	L100-1 1/8
EQML10020	L100-1 1/4
EQML10022	L100-1 3/8
EQML11012	L110-3/4
EQML11014	L110-7/8
EQML11016	L110-1
EQML11018	L110-1 1/8
EQML11020	L110-1 1/4
EQML11022	L110-1 3/8
EQML11023	L110-1 7/16
EQML11024	L110-1 1/2
EQML11026	L110-1 5/8

We have many more bore sizes available. Lead time is 1-2 days.

Buna-N spiders are black in color and are the most commonly used spider. Hytrel spiders are a much tougher spider and are white in color.

BUNA-N SPIDERS

Part #	Size
EQML075N	L075N
EQML090N	L090/95N

Part #	Size
EQML099N	L099/100N
EQML110N	L110N

MASTERDRIVE® JAW COUPLINGS

MASTERDRIVE® JAW COUPLINGS Horsepower Capacities for Buna-N Inserts

Coupling Number	Rated Torque Lbs. In.	Horsepower Capacity at Varying RPM					Max Bore
		100	300	1200	1800	3600	
L035	3.16	0.0056	0.017	0.067	0.10	0.20	5/16
L050	28.1	0.04	0.12	0.48	0.72	1.44	5/8
L070	37.5	0.06	0.18	0.72	1.08	2.16	25/32
L075	73	0.12	0.36	1.44	2.16	4.32	1 1/32
L090	126	0.20	0.60	2.40	3.60	7.20	1 1/8
L095	169	0.28	0.84	3.36	5.04	10.08	1 1/8
L099	260	0.42	1.26	5.04	7.56	15.10	1 13/32
L100	370	0.60	1.80	7.20	10.80	21.60	1 13/32
L110	680	1.10	3.30	13.20	19.80	39.60	1 7/8
L150	1080	1.70	5.10	20.40	30.60	61.20	1 7/8
L190	1350	2.20	6.60	26.40	39.60	79.20	2 9/32
L225	2000	3.30	9.90	39.60	59.40	118.80	2 3/8

HYTREL SPIDERS

Part #	Size
EQML075H	L075H
EQML095H	L090/095H
EQML100H	L099/100H

POWER TRANSMISSION

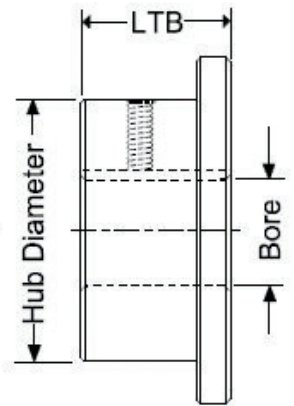
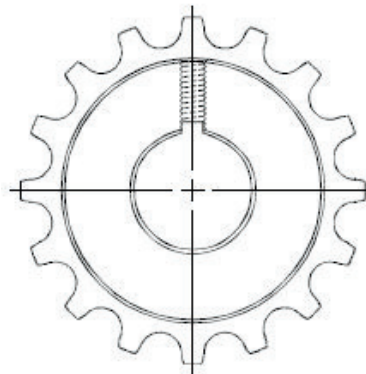
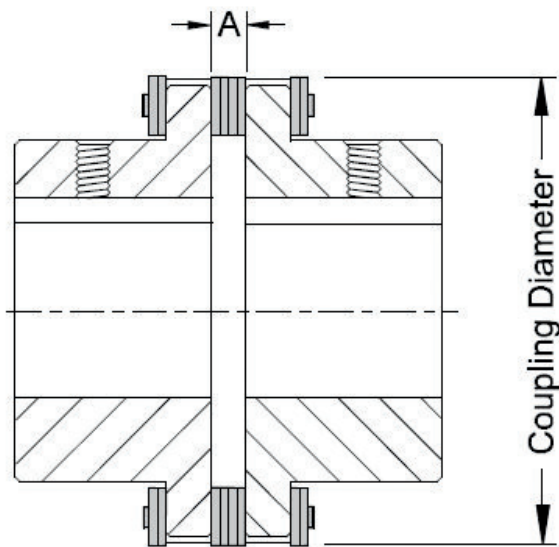
DOUBLE ROLLER CHAIN COUPLER SPROCKETS

Dimensions

Coupling	Coupling Diameter	Hub Diameter	LTB	OAL
4012	2 13/32	1 13/32	1 1/8	2 17/32
4016	3 1/32	1 31/32	1 1/8	2 17/32
5016	3 25/32	2 1/2	1 7/16	3 1/4
5018	4 3/16	2 31/32	1 11/16	3 3/4
6018	5	3 1/2	1 7/8	4 3/16
6020	5 1/2	4 7/8	2	5 21/64
8018	6 21/32	4 9/16	2 3/8	5 5/16
6020	7 19/64	5 3/8	2 5/8	5 13/16

Standard Keyway Dimensions

Shaft Dia.	Key Seat W X D
1/2-9/16	1/8 X 1/16
5/8-7/8	3/16 X 3/32
15/16-1 1/4	1/4 X 1/8
1 5/16-1 3/8	5/16 X 5/32
1 7/16-1 3/4	3/8 X 3/16
1 13/16-2 1/4	1/2 X 1/4
2 5/16-2 1/2	5/8 X 5/16



DOUBLE ROLLER CHAIN COUPLER SPROCKETS

A complete Double Roller Chain Coupler Sprocket consists of two coupler halves and one coupler chain. Coupler halves are furnished with keyway and set screw. Halves and chains need to be ordered separately. The sprocket number gives the chain size, the number of teeth, and the bore size (5016 X 1 1/8 is a coupler sprocket for 50 chain, with 16 teeth, and a 1 1/8 bore). These are a non-stock item. Lead time is 2-3 days.

POWER TRANSMISSION

Part #	G & G Part #	Sprocket #
EQ094012005	094012005	4012 X STOCK BORE
EQ094012085	094012085	4012 X 1/2
EQ094012105	094012105	4012 X 5/8
EQ094012125	094012125	4012 X 3/4
EQ094016005	094016005	4016 X STOCK BORE
EQ094016105	094016105	4016 X 5/8
EQ094016125	094016125	4016 X 3/4
EQ094016145	094016145	4016 X 7/8
EQ094016155	094016155	4016 X 15/16
EQ094016165	094016165	4016 X 1
EQ094016185	094016185	4016 X 1 1/8
EQ094016205	094016205	4016 X 1 1/4
EQ095016005	095016005	5016 X STOCK BORE
EQ095016125	095016125	5016 X 3/4
EQ095016145	095016145	5016 X 7/8
EQ095016165	095016165	5016 X 1
EQ095016185	095016185	5016 X 1 1/8
EQ095016205	095016205	5016 X 1 1/4
EQ095016225	095016225	5016 X 1 3/8
EQ095016235	095016235	5016 X 1 7/16
EQ095016245	095016245	5016 X 1 1/2
EQ095016265	095016265	5016 X 1 5/8
EQ095018005	095018005	5018 X STOCK BORE
EQ095018125	095018125	5018 X 3/4
EQ095018145	095018145	5018 X 7/8
EQ095018165	095018165	5018 X 1

Part #	G & G Part #	Sprocket #
EQ095018185	095018185	5018 X 1 1/8
EQ095018205	095018205	5018 X 1 1/4
EQ095018225	095018225	5018 X 1 3/8
EQ095018235	095018235	5018 X 1 7/16
EQ095018245	095018245	5018 X 1 1/2
EQ095018265	095018265	5018 X 1 5/8
EQ095018285	095018285	5018 X 1 3/4
EQ095018305	095018305	5018 X 1 7/8
EQ095018315	095018315	5018 X 1 15/16
EQ096018005	096018005	6018 X STOCK BORE
EQ096018165	096018165	6018 X 1
EQ096018205	096018205	6018 X 1 1/4
EQ096018225	096018225	6018 X 1 3/8
EQ096018235	096018235	6018 X 1 7/16
EQ096018245	096018245	6018 X 1 1/2
EQ096018265	096018265	6018 X 1 5/8
EQ096018285	096018285	6018 X 1 3/4
EQ096018305	096018305	6018 X 1 7/8
EQ096018315	096018315	6018 X 1 15/16
EQ096018325	096018325	6018 X 2
EQ096018365	096018365	6018 X 2 1/4
EQ096020005	096020005	6020 X STOCK BORE
EQ096020245	096020245	6020 X 1 1/2
EQ096020285	096020285	6020 X 1 3/4
EQ098018005	098018005	8018 X STOCK BORE
EQ098020005	098020005	8020 X STOCK BORE

COUPLER CHAIN

Part #	G & G Part #	Chain Size	# of Teeth
EQ094012CH5	094012CH5	40	12
EQ094016CH5	094016CH5	40	16
EQ095016CH5	095016CH5	50	16
EQ095018CH5	095018CH5	50	18

Part #	G & G Part #	Chain Size	# of Teeth
EQ096018CH5	096018CH5	60	18
EQ096020CH5	096020CH5	60	20
EQ098018CH5	098018CH5	80	18
EQ098020CH5	098020CH5	80	20

SHAFT COUPLERS

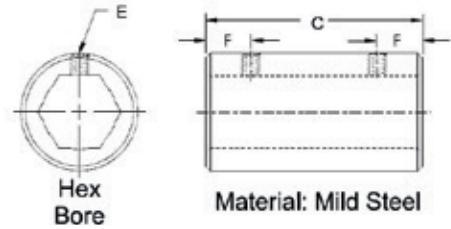
Hex Bore Shaft Couplers have two set screws, one at each end of the coupler. Round Bore Shaft Couplers have a key way and two set screws, one at each end of the coupler. Stock shaft couplers are noted with an *. All other sizes have a lead time of 2-3 days.

POWER TRANSMISSION

HEX BORE

Set Screw Dimensions

Bore Sizes	Set Screw Size
5/8, 3/4, 7/8	1/4-20
1, 1 1/8, 1 1/4, 1 1/2, 1 3/4	5/16-18



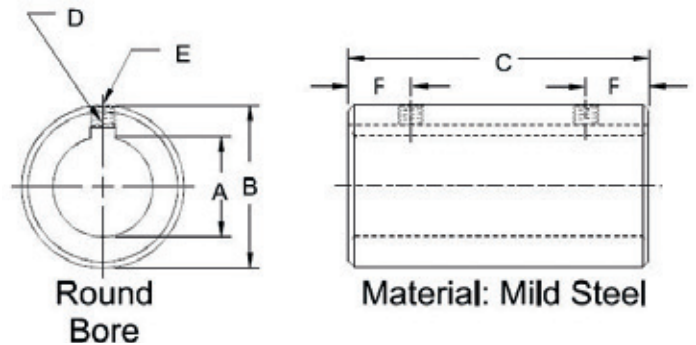
Part #	Bore	OD	Length	F
EQ126-10005	5/8	1 1/2	2 1/2	5/8
EQ126-12005	3/4	1 5/8	3	5/8
EQ126-14005	7/8	1 3/4	3	5/8
EQ126-16005	1	1 3/4	3	5/8

Part #	Bore	OD	Length	F
EQ126-18005	1 1/8	2	4 1/2	1
EQ126-20005	1 1/4	2 1/8	4 1/2	1
EQ126-24005	1 1/2	2 3/4	4 1/2	1 1/8
EQ126-28005	1 3/4	3	4 1/2	1 1/8

ROUND BORE

Key Way & Set Screw Dimensions

Bore Sizes	Key Size	Set Screw Size
1/2	1/8	1/4-20
5/8, 3/4, 7/8	3/16	1/4-20
1, 1 1/8, 1 3/16, 1 1/4	1/4	5/16-18
1 1/4*, 1 3/8	5/16	3/8-16
1 7/16, 1 1/2, 1 5/8, 1 3/4	3/8	3/8-16
1 15/16, 2	1/2	1/2-13



*Oversized key. Uses 5/16-18 set screws instead of 3/8-16.

Part #	Bore	OD	Length	F
EQ127-08005	1/2	1 1/4	2	1/2
EQ127-10005	5/8*	1 1/2	2 1/2	5/8
EQ127-12005	3/4*	1 5/8	3	5/8
EQ127-14005	7/8*	1 3/4	3	3/4
EQ127-16005	1*	1 5/8	3	5/8
EQ127-16045	1	1 3/4	4	7/8
EQ127-18005	1 1/8*	2	4 1/2	7/8
EQ127-19005	1 3/16	2	4 1/2	7/8
EQ127-20005	1 1/4*	2 1/8	4 1/2	1

Part #	Bore	OD	Length	F
EQ127-20055 **	1 1/4	2 1/8	4 1/2	1
EQ127-22005	1 3/8	2 5/16	4 1/2	1
EQ127-23005	1 7/16	2 5/16	4 1/2	1
EQ127-24005	1 1/2*	2 1/2	4 1/2	1
EQ127-26005	1 5/8	2 3/4	4 1/2	1
EQ127-28005	1 3/4	2 3/4	4 1/2	1
EQ127-31005	1 15/16	3 5/16	4 1/2	1
EQ127-32005	2	3 5/16	4 1/2	1

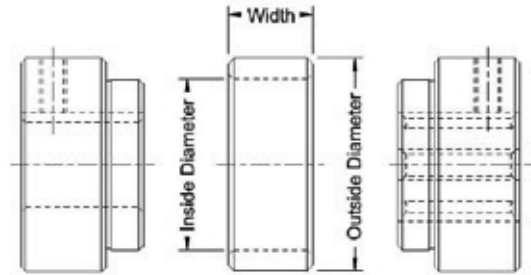
** 5/16 keyway

WELDAHUB® COUPLER HUBS & MASKAFLEX TIRE COUPLERS

WELDAHUB® COUPLER HUBS

Part #	Hub Series	ID	OD	Width
EQ012-3226	W	1 5/8	2	1
EQ012-4032	X & XX	2	2 1/2	1

Weldahub® Coupler Hubs are designed to make a shaft coupler out of two weldahubs for two shafts of the same or different styles and sizes.



POWER TRANSMISSION

MASKAFLEX TIRE COUPLERS

Dimensions

Coupler #	Bushing Size	Max Bore	Installed Tire OD	Installed Coupling Width
MX 50	JA	1 1/4	5 1/4	3 7/8
MX 60	SH	1 5/8	6 1/2	4 23/32
MX 70	SDS	1 15/16	7 3/8	4 17/32
MX 80	SK	2 1/2	8 3/8	5 13/16
MX 90	SK	2 1/2	9 1/4	5 7/8
MX 100	SF	2 3/4	10	6 1/8
MX 110	SF	2 3/4	11	5 7/8
MX 120	E	3 7/16	12 3/8	7 1/4
MX 140	F	3 15/16	14 1/8	9 1/2
MX 160	J	4	16 5/8	11 1/2
MX 200	J	4	20	11 3/4



Maskaflex Tire Couplers are the most suitable coupling for applications with shock loads, angular misalignment, or end float. Fits with standard QD bushings for easy installation, greater versatility, and doesn't damage the shaft. The couplers come as 2 flanges, 1 tire, and 2 QD bushings. Tire Couplers are non-stock. Lead time is 2-3 days.

Coupling HP Ratings and Misalignment

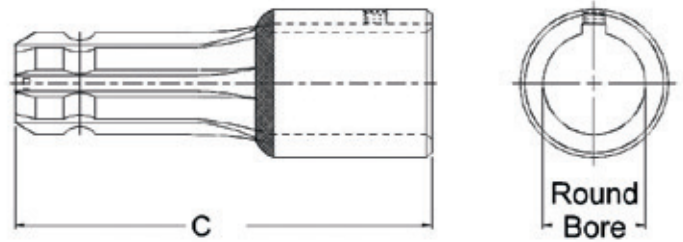
Coupler #	Max RPM	HP per 100 RPM at different Service Factors					Max Parallel Misalign	Max Axial Misalign
		1.0	1.5	2.0	2.5	3.0		
MX 50	4500	1.43	0.95	0.72	0.57	0.48	3/64	1/16
MX 60	4000	2.86	1.91	1.43	1.14	0.95	1/16	5/64
MX 70	3600	3.49	2.33	1.75	1.40	1.16	5/64	3/32
MX 80	3100	5.71	3.81	2.86	2.28	1.90	5/64	7/64
MX 90	2800	6.90	4.60	3.45	2.76	2.30	3/32	1/8
MX 100	2600	8.33	5.55	4.17	3.33	2.78	7/64	1/8
MX 110	2300	12.30	8.20	6.15	4.92	4.10	7/64	9/64
MX 120	2100	19.90	13.27	9.95	7.96	6.63	1/8	5/32
MX 140	1840	43.78	29.19	21.89	17.51	14.59	9/64	3/16
MX 160	1560	59.98	39.99	29.99	23.99	19.99	11/64	13/64
MX 200	1300	130.90	87.27	65.45	52.36	43.63	13/64	17/64

Flange Part #	Tire Part #	Coupler #
EQMCMXF50	EQMCP50	MX 50
EQMCMXF60	EQMCP60	MX 60
EQMCMXF70	EQMCP70	MX 70
EQMCMXF80	EQMCP80	MX 80
EQMCMXF90	EQMCP90	MX 90
EQMCMXF100	EQMCP100	MX 100

Flange Part #	Tire Part #	Coupler #
EQMCMXF110	EQMCP110	MX 110
EQMCMXF120	EQMCP120	MX 120
EQMCMXF140	EQMCP140	MX 140
EQMCMXF160	EQMCP160	MX 160
EQMCMXF200	EQMCP200	MX 200

PUMP ADAPTERS & REPLACEMENT BALLS FOR 3 POINT HITCHES

PUMP ADAPTERS SPLINED MALE TO ROUND BORE FEMALE



Part #	G&G Part #	Spline Size	Round Bore	Length
EQ113-1600	113-1600	1 3/8 X 6	1	5 3/4
EQ113-1800	113-1800	1 3/8 X 6	1 1/8	5 7/8
EQ113-2000	113-2000	1 3/8 X 6	1 1/4	5 7/8
EQ113-2200	113-2200	1 3/8 X 6	1 3/8	5 3/4
EQ113-2400	113-2400	1 3/8 X 6	1 1/2	5 7/8

REPLACEMENT BALLS FOR 3 POINT HITCHES

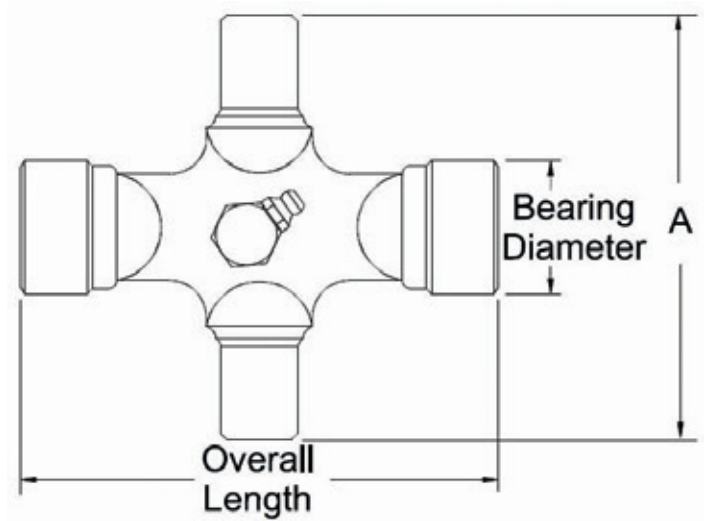


Part #	Description	Hole Diameter	Ball Diameter	Hole Length
EQRB22442	TOP LINK CAT 2 JD/OLIVER	1 "	2 "	1-3/4 "
EQRB22443	LIFT ARM CAT 1 FORD	7/8 "	2-1/4 "	1-3/8 "
EQRB22444	LIFT ARM CAT 2 FORD	1-1/8 "	2-1/4 "	1-3/4 "

REPAIR KITS (CROSS BEARINGS)

Part #	PTO Series	OAL	Bearing Diameter
EQ302-0400	4P	2 1/8	7/8
EQ302-0600	6N	2 5/16	31/32
EQ302-0675	0675	2 5/16	15/16
EQ302-1200	12N	2 9/16	1 1/16
EQ302-1400	14N	2 5/8	1 1/8
EQ302-1875	1800	3 3/16	1
EQ302-3500	35N	3 7/32	1 1/4
EQ302-4400	44R	4	1 5/16
EQ302-5500	55N	4 5/16	1 17/32

Repair Kits are a stock item.



POWER TRANSMISSION

KEY STOCK

SQUARE • UNDERSIZED • 12" LENGTH

Part #	Size
EQ407-0200	1/8
EQ407-0250	5/32
EQ407-0300	3/16
EQ407-0400	1/4
EQ407-0500	5/16
EQ407-0600	3/8
EQ407-0700	7/16
EQ407-0800	1/2
EQ407-0900	9/16
EQ407-1000	5/8
EQ407-1200	3/4
EQ407-1400	7/8
EQ407-1600	1
EQ407-1800	1 1/8
EQ407-2000	1 1/4



Key Stock is manufactured from 1018 steel. Tolerances for undersized key stock is +0/-.003 for sizes 3/4 and smaller and +0/-.004 for sizes larger than 3/4.

SQUARE • UNDERSIZED • CUT TO LENGTH

Part #	Size
EQ407-020008	1/8 X 1
EQ407-030006	3/16 X 3/4
EQ407-030008	3/16 X 1
EQ407-030010	3/16 X 1 1/4
EQ407-030012	3/16 X 1 1/2
EQ407-030016	3/16 X 2
EQ407-040004	1/4 X 1/2
EQ407-040006	1/4 X 3/4
EQ407-040008	1/4 X 1
EQ407-040010	1/4 X 1 1/4
EQ407-040012	1/4 X 1 1/2
EQ407-040014	1/4 X 1 3/4
EQ407-040016	1/4 X 2
EQ407-040020	1/4 X 2 1/2

Part #	Size
EQ407-040024	1/4 X 3
EQ407-050006	5/16 X 3/4
EQ407-050008	5/16 X 1
EQ407-050010	5/16 X 1 1/4
EQ407-050012	5/16 X 1 1/2
EQ407-050014	5/16 X 1 3/4
EQ407-050016	5/16 X 2
EQ407-060008	3/8 X 1
EQ407-060010	3/8 X 1 1/4
EQ407-060012	3/8 X 1 1/2
EQ407-060014	3/8 X 1 3/4
EQ407-060016	3/8 X 2
EQ407-060020	3/8 X 2 1/2

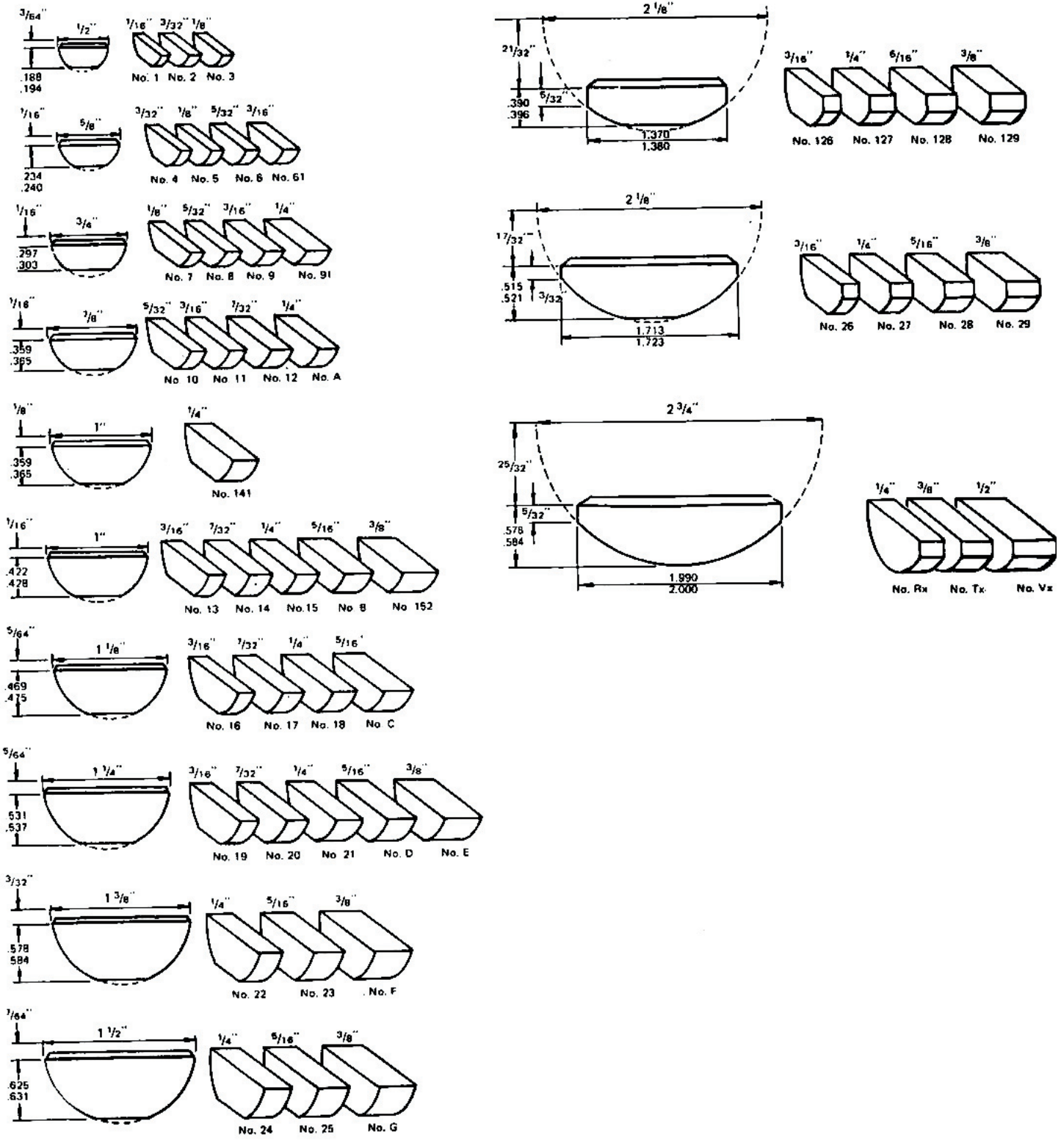
RECTANGULAR • UNDERSIZED • 12" LENGTH

Part #	Size
EQ407-0204	1/8 X 1/4
EQ407-0304	3/16 X 1/4
EQ407-0305	3/16 X 5/16
EQ407-0405	1/4 X 5/16
EQ407-0406	1/4 X 3/8
EQ407-0506	5/16 X 3/8
EQ407-0607	3/8 X 7/16
EQ407-0608	3/8 X 1/2
EQ407-0810	1/2 X 5/8

STEP • 12" LENGTH

Part #	Size
EQ407-0230	1/8 TO 3/16
EQ407-0540	5/16 TO 1/4
EQ407-0560	5/16 TO 3/8
EQ407-0860	1/2 TO 3/8

WOODRUFF KEYS (HALF MOON KEYS)



WOODRUFF KEYS (HALF MOON KEYS)

Woodruff Keys are manufactured from 1035 steel.



Part #	Key #	Size	Discount Quantity
FWK0802	#201	1/16 X 1/4	100
FWK1003	#207	3/32 X 5/16	100
FWK1202	#211	1/16 X 3/8	100
FWK1203	#212	3/32 X 3/8	100
FWK1204	#213	1/8 X 3/8	100
FWK1602	#1	1/16 X 1/2	100
FWK1603	#2	3/32 X 1/2	100
FWK1604	#3	1/8 X 1/2	100
FWK2003	#4	3/32 X 5/8	100
FWK2004	#5	1/8 X 5/8	100
FWK2005	#6	5/32 X 5/8	100
FWK2006	#61	3/16 X 5/8	100
FWK2404	#7	1/8 X 3/4	100
FWK2405	#8	5/32 X 3/4	100
FWK2406	#9	3/16 X 3/4	100
FWK2408	#91	1/4 X 3/4	100
FWK2805	#10	5/32 X 7/8	100
FWK2806	#11	3/16 X 7/8	100
FWK2807	#12	7/32 X 7/8	100
FWK2808	#A	1/4 X 7/8	100
FWK3108	#141	1/4 X 31/32	100
FWK3206	#13	3/16 X 1	100
FWK3207	#14	7/32 X 1	100
FWK3208	#15	1/4 X 1	100
FWK3210	#B	5/16 X 1	100
FWK3212	#152	3/8 X 1	100
FWK3606	#16	3/16 X 1 1/8	100

Part #	Key #	Size	Discount Quantity
FWK3607	#17	7/32 X 1 1/8	100
FWK3608	#18	1/4 X 1 1/8	100
FWK3610	#C	5/16 X 1 1/8	100
FWK4006	#19	3/16 X 1 1/4	100
FWK4007	#20	7/32 X 1 1/4	100
FWK4008	#21	1/4 X 1 1/4	100
FWK4010	#D	5/16 X 1 1/4	100
FWK4012	#E	3/8 X 1 1/4	100
FWK4408	#22	1/4 X 1 3/8	100
FWK4410	#23	5/16 X 1 3/8	100
FWK4412	#F	3/8 X 1 3/8	100
FWK4808	#24	1/4 X 1 1/2	100
FWK4810	#25	5/16 X 1 1/2	100
FWK4812	#G	3/8 X 1 1/2	100
FWK6806A	#126	3/16 X 2 1/8	100
FWK6806B	#26	3/16 X 2 1/8	100
FWK6808A	#127	1/4 X 2 1/8	100
FWK6808B	#27	1/4 X 2 1/8	100
FWK6810A	#128	5/16 X 2 1/8	100
FWK6810B	#28	5/16 X 2 1/8	100
FWK6812A	#129	3/8 X 2 1/8	100
FWK6812B	#29	3/8 X 2 1/8	100
FWK8808	#RX	1/4 X 2 3/4	100
FWK8810	#SX	5/16 X 2 3/4	100
FWK8812	#TX	3/8 X 2 3/4	100
FWK8816	#VX	1/2 X 2 3/4	100

SET COLLARS

SOLID • ZINC PLATED

Solid Set Collars use a single set screw to grip the shaft. They do not work well where the shaft is harder than the set collar or where marks on the shaft are not desirable.



POWER TRANSMISSION

Part #	Size	Discount Quantity
EQSC03	3/16	100
EQSC04	1/4	100
EQSC05	5/16	100
EQSC06	3/8	100
EQSC07	7/16	100
EQSC08	1/2	100
EQSC09	9/16	100
EQSC10	5/8	100
EQSC11	11/16	100
EQSC12	3/4	100
EQSC13	13/16	100
EQSC14	7/8	100
EQSC15	15/16	100
EQSC16	1	100
EQSC17	1 1/16	100
EQSC18	1 1/8	100
EQSC19	1 3/16	100
EQSC20	1 1/4	100
EQSC21	1 5/16	100
EQSC22	1 3/8	100

Part #	Size	Discount Quantity
EQSC23	1 7/16	100
EQSC24	1 1/2	100
EQSC25	1 9/16	100
EQSC26	1 5/8	100
EQSC27	1 11/16	100
EQSC28	1 3/4	100
EQSC29	1 13/16	100
EQSC30	1 7/8	100
EQSC31	1 15/16	100
EQSC32	2	100
EQSC34	2 1/8	100
EQSC35	2 3/16	100
EQSC36	2 1/4	100
EQSC38	2 3/8	100
EQSC39	2 7/16	100
EQSC40	2 1/2	100
EQSC42	2 5/8	100
EQSC44	2 3/4	100
EQSC47	2 15/16	100

SET COLLARS

POWER TRANSMISSION

SOLID • STAINLESS STEEL

Part #	Size	Discount Quantity
EQSSSC08	1/2	100

SINGLE SPLIT • BLACK OXIDE

Single and Double Split Set Collars provide a lock on the shaft through friction only. They are generally considered to give a better grip on the shaft than a solid shaft collar. They can be used on hard or soft shafts as well as on tubing. The double split set collars have the additional advantage of fitting easily into hard to-get-to spots.

Part #	Size
EQSCS17	1 1/16
EQSCS19	1 3/16
EQSCS20	1 1/4
EQSCS24	1 1/2
EQSCS27	1 11/16



DOUBLE SPLIT • BLACK OXIDE

Part #	Size
EQSCD08	1/2
EQSCD10	5/8
EQSCD12	3/4
EQSCD14	7/8
EQSCD16	1
EQSCD18	1 1/8
EQSCD20	1 1/4

Part #	Size
EQSCD22	1 3/8
EQSCD24	1 1/2
EQSCD25	1 9/16
EQSCD26	1 5/8
EQSCD27	1 11/16
EQSCD30	1 7/8
EQSCD32	2



GREASE FITTINGS

NATIONAL PIPE THREAD • YELLOW ZINC



Length, if given, is overall length.

Part #	Size	Angle	Package Quantity
EQZ2ST	1/8-27 X 0.62	STRAIGHT	100
EQZ2ST20	1/8-27 X 1 1/4	STRAIGHT	25
EQZ2ST28	1/8-27 X 1 3/4	STRAIGHT	25
EQZ2ST42	1/8-27 X 2-5/8	STRAIGHT	25
EQZ245	1/8-27	45°	50
EQZ265	1/8-27	65°	50
EQZ290	1/8-27	90°	50
EQZ4PTST	1/4-18	STRAIGHT	25
EQZ4PT65	1/4-18	65°	25

SAE TAPERED FINE THREAD • YELLOW ZINC

Part #	Size	Angle	Package Quantity
EQZ4ST	1/4-28 X 0.54	STRAIGHT	100
EQZ4ST11	1/4-28 X 11/16	STRAIGHT	50
EQZ4ST15	1/4-28 X 15/16	STRAIGHT	50
EQZ4ST18	1/4-28 X 1 1/8	STRAIGHT	50
EQZ445	1/4-28	45°	50
EQZ467	1/4-28	65°	50
EQZ490	1/4-28	90°	50

SAE PARALLEL FINE THREAD • YELLOW ZINC

Part #	Size	Angle	Package Quantity
EQZ4STS	1/4-28 X 0.49	STRAIGHT	100
EQZ5UNFST	5/16-24	STRAIGHT	25
EQZ5UNF45	5/16-24	45°	25
EQZ5UNF90	5/16-24	90°	25
EQZ6UNFST	3/8-24	STRAIGHT	25

THREAD FORMING • SAE FINE THREAD • YELLOW ZINC

Part #	Size	Angle	Package Quantity
AV15068	1/4-28	STRAIGHT	50

GREASE FITTINGS & DRIVE ZERKS

GREASE FITTINGS *CONTINUED FROM PREVIOUS PAGE

METRIC • YELLOW ZINC

Part #	Size	Angle	Package Quantity
EQMZ6ST	M6-1.0	STRAIGHT	25
EQMZ645	M6-1.0	45°	25
EQMZ690	M6-1.0	90°	25
EQMZ8ST	M8-1.25	STRAIGHT	25
EQMZ845	M8-1.25	45°	25
EQMZ890	M8-1.25	90°	25
EQMZF8ST	M8-1.0	STRAIGHT	25
EQMZF890	M8-1.0	90°	25
EQMZF10ST	M10-1.0	STRAIGHT	25
EQMZF1045	M10-1.0	45°	25
EQMZF1090	M10-1.0	90°	25

BUTTON HEAD • NATIONAL PIPE THREAD • YELLOW ZINC

Part #	Size	Angle	Package Quantity
EQZ6BH	3/8-14	STRAIGHT	12



FEMALE NATIONAL PIPE THREAD • YELLOW ZINC

Part #	Size	Angle	Package Quantity
EQZ2STF	1/8-27	STRAIGHT	25
EQZ245FT	1/8-27	45°	25



DRIVE ZERKS

Part #	Size	Angle	Package Quantity
EQZD3	3/16	STRAIGHT	100
EQZD365	3/16	65°	100
EQZD4	1/4	STRAIGHT	100
EQZD5	5/16	STRAIGHT	100



SECTION 3: LUBRICANTS & CHEMICALS



NOTES



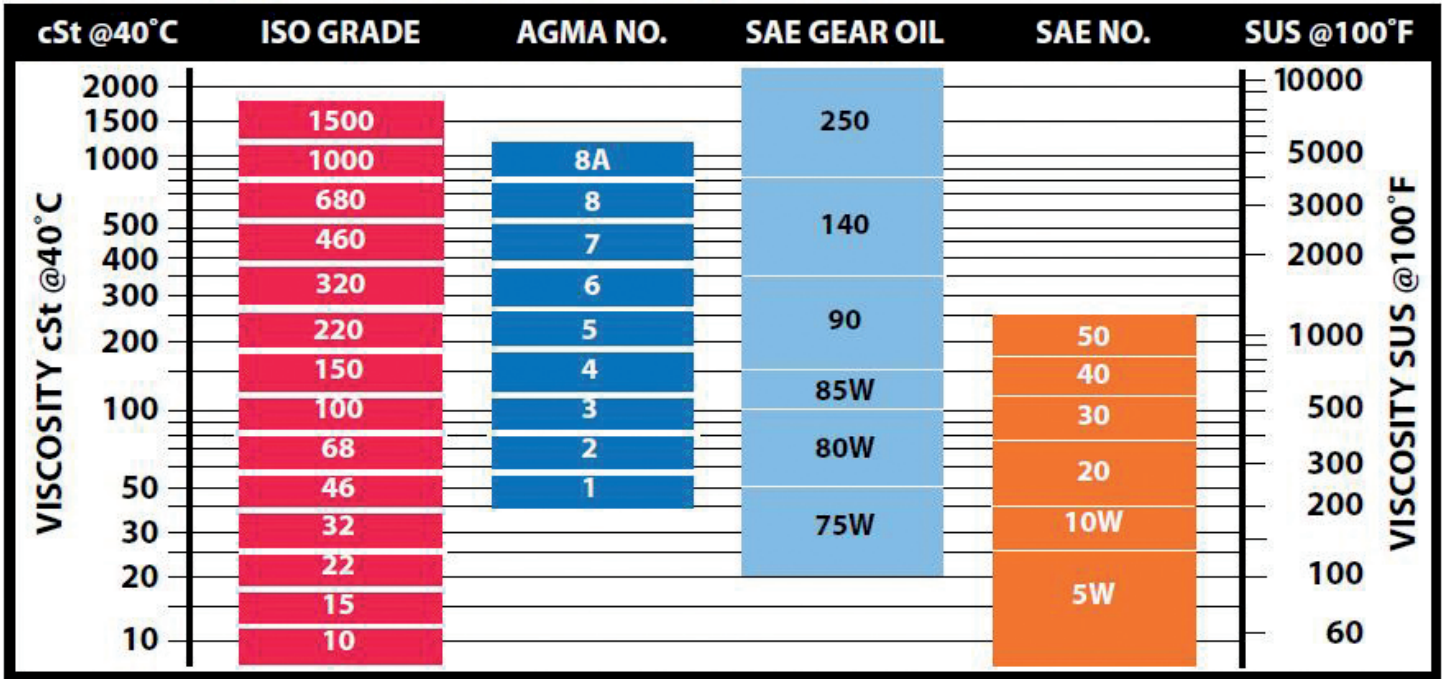
LUBRIPLATE GENERAL APPLICATION RECOMMENDATIONS

LUBRICANTS & CHEMICALS

APPLICATIONS	NORMAL TEMPERATURES	HIGH TEMPERATURES	LOW TEMPERATURES	FOOD MACHINERY GRADE NSF H-1 CLASS / FDA CFR 178.3570
GENERAL GREASE	1200-2 / SYN-1602	HIGH TEMP / 1552 / SYNXTREME HD-2	MAG-1 / SYN-1601	FGL-1 / FGL-2 / SYNXTREME FG-2
GENERAL OIL	SPO-233 / SYN-LUBE-100	SPO-266 / SYN-LUBE-320	SPO-233 / SYN-LUBE-100	FMO-350AW / SFGO ULTRA-68
CENTRALIZED SYSTEMS / GREASE	930-AAA / 630-AAA / SYN-1600	930-AAA / SYNXTREME HD-0	MAG-00 / 1550	FGL-0 / FGL-00 / SYNXTREME FG-0
CENTRALIZED SYSTEMS / OIL	SPO-233 / SYN-LUBE-100	SPO-277 / SYN-LUBE-460	SPO-222 / SYN-LUBE-68	FMO-350AW-500AW / SFGO ULTRA 68
GEARBOXES (HELICAL, SPUR)	SPO-255 / SYN-LUBE-220	SPO-MG / SYN-LUBE-320	SPO-244 / SYN-LUBE-150	FMO-1100AW / SFGO ULTRA 220
GEARBOXES (WORM)	SPO-277 / SYN-LUBE-460	SPO-288 / SYN-LUBE-680	SPO-MG / SYN-LUBE-320	FMO-3800AW / SFGO ULTRA 680
OPEN GEARS	GEAR SHIELD EXTRA HEAVY	GEAR SHIELD XTRA HEAVY	LOW TEMP GEAR SHIELD	PURE TAC
HYDRAULIC EQUIPMENT	HO-1 / HO-2 / SYN-LUBE-68	HO-2A / SYN-LUBE-100	LOW POUR HO / SYN-LUBE-22	FMO-350AW / SFGO ULTRA 68
AIR COMPRESSORS (RECIPROCATING)	SYN-LUBE-68	SYN-LUBE-100	SYN-LUBE-32	SFGO ULTRA-68 or 100
AIR COMPRESSORS (ROTARY SCREW)	SYN-LUBE-46	SYN-LUBE-46	SYN-LUBE-32	SFGO ULTRA-46 or 68
HIGH SPEED BEARINGS (OIL)	HO-0 / SYN-LUBE-32	SPO-233 / SYN-LUBE-100	No. 1 / SYN-LUBE-32	FMO-350AW / SFGO ULTRA-68
HIGH SPEED BEARINGS (GREASE)	EMB / POLY HP-2 / SYNX HD-2	1552 / POLY HP-2 / SYNXTREME HD-2	MAG-1 / GR-132 / SYN-1601	FGL-1 / SYNXTREME FG-2
LOW SPEED BEARINGS (OIL)	SPO-244 / SYN-LUBE-150	SPO-255 / SYN-LUBE-220	SPO-233 / SYN-LUBE-100	FMO-500AW / SFGO ULTRA 100
LOW SPEED BEARINGS (GREASE)	1242 / 1552 / SYN-1602	HIGH TEMP / 1552 / SYNXTREME HD-2	MAG-1 / SYN-1601	FGL-2 / SYNXTREME FG-2
WHEEL BEARINGS (GREASE)	1552 / SYNXTREME HD-2	1552 / SYNXTREME HD-2	1552 / SYNXTREME HD-2	FGL-2 / SYNXTREME FG-2
SLIDES / CAMS	1241 / 1242 / SYN-1602	1444 / SYNXTREME HD-2	MAG-1 / SYN-1601	FGL-2 / SYNXTREME FG-2
MIST SYSTEMS	Mist Oil / SYN-LUBE-100	Mist Oil / SYN-LUBE-100	Rock Drill Oil 10R / SYN-LUBE-32	FMO-350AW / SFGO ULTRA-68
WIRE ROPE / CABLES / CHAINS	Chain & Cable Fluid	SPO-288	Chain & Cable Fluid	FMO-350AW / SFGO ULTRA-7
RUST / CORROSION PREVENTION	Chain & Cable FI / SFGO ULTRA-7	Chain & Cable FI / SFGO ULTRA-7	Chain & Cable FI / SFGO ULTRA-7	FMO-350AW / SFGO ULTRA-7
ENGINE REBUILDING	105	105	105	-
MOLY GREASE (MOS)	3000 / SYN-3002	3000 / SYN-3002	3000W / SYN-3002	-
REFRIGERATION COMPRESSORS	68N OR 68P Refrigeration Compressor Oil - Consult Data Sheet 5-23 and 5-23A for details.			RCO-68

NOTES

Oil Viscosity Classification Comparisons



LUBRICANTS & CHEMICALS

NLGI GREASE CLASSIFICATIONS

NLGI NO.	DESCRIPTION	WORKED PENETRATION ASTM @ 77°F / 25°C
000	SEMI-FLUID	445 - 475
00	SEMI-FLUID	400 - 430
0	VERY-SOFT	355 - 385
1	SOFT	310 - 340
2	MEDIUM SOFT	265 - 295
3	MEDIUM	220 - 250
4	HARD	175 - 205
5-6	VERY HARD	85 - 160

HYDRAULIC FLUIDS AND TRACTOR HYDRAULIC FLUIDS

HYDRAULIC FLUIDS

Xtreme® True-Flo Anti Wear Hydraulic Oils are economical, general purpose fluids blended with anti-wear additives plus rust, oxidation, and foam inhibitors for use in industrial hydraulic systems and for hydraulic only systems in farm, logging, and construction equipment where hydraulic systems are separate from transmissions, wet clutches, and brakes. An OEM approved additive system is employed to impart maximum performance in hydraulic system applications.

Part #	Package Size	Description	SAE No.
CHFAW325	5 GAL. PAIL	AW 32	10W
CHFAW465	5 GAL. PAIL	AW 46	20W



TRACTOR HYDRAULIC FLUIDS

Xtreme® Pure-Flo and Premium Heavy Duty Tractor Hydraulic Fluids are universal hydraulic and transmission fluids for tractors, construction, and logging equipment where a single fluid services the transmission, wet clutch, wet brake, power steering, and final drives for two wheel and four wheel drive equipment. The Pure-Flo Tractor Hydraulic Fluid is a straight SAE 20W product which is more suited to warmer climates. The Xtreme Premium Heavy Duty Tractor Hydraulic Fluid is a SAE 10W-30 product which suits it for cold weather while maintaining full viscosity at operating temperatures.

Part #	Package Size	Description
CTHFE5	5 GAL. PAIL	PURE-FLO



Part #	Package Size	Description	Case Qty
CTHF	1 GAL. JUG	PREMIUM HEAVY DUTY	4
CTHF2	2 GAL. JUG	PREMIUM HEAVY DUTY	3
CTHF5	5 GAL. PAIL	PREMIUM HEAVY DUTY	-



LUBRICANTS & CHEMICALS

GEAR OILS

Xtreme® GL-4 Gear Lubricants are blends of highly refined base stocks, extreme pressure (EP) additives, and rust, foam, and oxidation inhibitors. They are suitable for use in most automotive and industrial gearboxes and manual transmissions where GL-4 EP gear oils are recommended. They are excellent heat transfer fluids, are non-foaming and compatible with all brass and bronze bushings. They are not recommended for use in automotive and heavy duty differentials using offset spiral bevel gear sets.

Part #	Package Size	Description
CGLEP905	5 GAL. PAILS	EP 90
CGLEP1405	5 GAL. PAIL	EP 140

Xtreme® Hypoid GL-5 Limited Slip Gear Lubricants are premium quality gear oils for transmissions and final drives. They meet the toughest industry specifications for automotive extreme pressure (EP) gear lubricants in both the automotive and heavy duty differentials and manual transmissions. They are designed for EP offset spiral bevel and hypoid gear sets (ring and pinion gears). They are fully treated for use in high performance and heavy duty limited slip differentials.

Part #	Package Size	Description	Case Quantity
CGL80W90Q	1 QT. BOTTLE	80W-90	12
CGL80W90G	1 GAL. JUG	80W-90	4
CGL80W905	5 GAL PAIL	80W-90	-

Part #	Package Size	Description	Case Quantity
CGL85W140Q	1 QT. BOTTLE	85W-140	12
CGL85W140G	1 GAL. JUG	85W-140	4



SYNGARD™ SYNTHETIC GEAR OILS

Syngard™ Synthetic Gear Lubricants MT-1 are premium quality gear oils for transmissions and final drives. They meet or exceed the highest industry specifications for automotive and heavy duty gear oils. They are designed for extreme pressure use in heavy duty trucks, rear wheel drive trucks and automobiles, shaft drive motorcycles, and all types of farm, logging, and construction equipment where GL-5 heavy duty gear oils are recommended. They are fully treated for use in automotive, heavy duty synchro-mesh, and limited slip axles. They are suitable for extended drain intervals according to the manufacturers recommendation.



Part #	Package Size	Description	Case Quantity
CSGL75W90Q	1 QT. BOTTLE	75W-90	12
CSGL75W905	5 GAL. PAIL	75W-90	-
CSGL75W9055	55 GAL. DRUM	75W-90	-
CSGL75W140Q	1 QT. BOTTLE	75W-140	12
CSGL75W1405	5 GAL. PAIL	75W-140	-

LUBRICANTS & CHEMICALS

LUCAS BRAND

Lucas Synthetic Gear Oils are non-foaming, super slick, and long lasting. They are especially designed for heavy duty, high performance, and high temperature applications.

Part #	Package Size	Description	Case Quantity
CGL75W90SL	1 QT. BOTTLE	75W-90	12
CGL75W90SLG	1 GAL. JUG	75W-90	4

Syngard™ Full Synthetic Heavy Duty SAE 50 Transmission Fluid is designed for use in manual and automatic transmissions where non-EP oils are specified. Suitable for extended drain intervals and for oil lubricated wheel bearings on heavy duty trucks and trailers.



Part #	Package Size	Description
CSTFHD505	5 GAL. PAIL	SAE 50

Lubriplate Syn-Lube series are multi purpose polyalphaolefin based synthetic fluids. They are zinc free and formulated with state of the art additives. They provide outstanding performance over extended drain intervals. They are recommended for gearboxes, bearings, chains, and recirculating systems.

Part #	Package Size	Description	Case Quantity
CL0974-057	1 GAL. JUG	SYN LUBE 150	4



ENGINE OILS

Xtreme® Non-Detergent Motor Oils are manufactured from virgin base oils and fortified with anti foam additives. They are for use in older vehicles where an economical lubricant is more important than long term protection.

Part #	Package Size	Description	Case Quantity
CMOND10W	1 QT. BOTTLE	ND 10	12
CMOND20W	1 QT. BOTTLE	ND 20	12
CMOND30W	1 QT. BOTTLE	ND 30	12

Xtreme® Synthetic Blend Gasoline Engine Oils are designed to give the ultimate in engine protection for cars, SUV's, and light trucks. They are certified for extended drain intervals according to the manufacturers recommendations. They are API approved and licensed.

Part #	Package Size	Description	API Service	Case Quantity
CMO5W20	1 QT. BOTTLE	5W-20	SN	12
CMO5W30	1 QT. BOTTLE	5W-30	SN	12

Xtreme® High Performance Engine Oils are a versatile, premium quality crank case oil. They use state of the art base oils and additives.

Part #	Package Size	Description	API Service	Case Quantity
CMOHD30W	1 QT. BOTTLE	HD 30	SN	12
CMO10W30	1 QT. BOTTLE	10W-30	SN	12

Xtreme® Fleet Heavy Duty Engine Oils are a versatile, premium quality crank case oil for gasoline and diesel engines. They use state of the art additives and Group II base oils to meet current OEM and API requirements.

Part #	Package Size	Description	API Service	Case Quantity
CMO10W305	5 GAL. PAIL	10W-30	CI-4 PLUS	-
CMO15W40	1 QT. BOTTLE	15W-40	CI-4 PLUS	12
CMO15W40G	1 GAL. JUG	15W-40	CI-4 PLUS	4
CMO15W405	5 GAL. PAIL	15W-40	CI-4 PLUS	-
CMO15W4055	55 GAL. DRUM	15W-40	CI-4 PLUS	-



ENGINE OILS & FULL SYNTHETIC ENGINE OILS

ENGINE OILS

LUCAS BRAND

Part #	Package Size	Description	API Service	Case Quantity
CMO15W40GL	1 GAL. JUG	15W-40	CI-4	4

Syngard™ Synthetic Blend Fleet Engine Oils are formulated using state of the art additives with premium synthetic and conventional base oils. They are approved for use with ultra low sulfur diesel fuels, engines equipped with exhaust gas recirculation and diesel particulate filters. They are also approved for use in Caterpillar® engines using ACERT® technology. They offer a significant improvement over former CI-4 Plus oils.

Part #	Package Size	Description	API Service	Case Quantity
CSMO15W40	1 QT. BOTTLE	15W-40	CJ-4	12
CSMO15W405	5 GAL. PAIL	15W-40	CJ-4	-
CSMO15W4055	55 GAL. DRUM	15W-40	CJ-4	-



FULL SYNTHETIC ENGINE OILS

Syngard™ Full Synthetic Engine Oils are formulated using state of the art additives with fully synthetic base oils. They are fully certified for extended drain intervals according to the engine manufacturers recommendations.

Part #	Package Size	Description	API Service	Case Quantity
CSMO0W20	1 QT. BOTTLE	0W-20	SN	6
CSMO5W30	1 QT. BOTTLE	5W-30	SN	6
CSMO5W40	1 GAL. JUG	5W-40	CK-4	4



ANTIFREEZE & AUTOMATIC TRANSMISSION FLUID

ANTIFREEZE

CONVENTIONAL FULL STRENGTH

Conventional Antifreeze is made with ethylene glycol. It offers protection against freeze-ups, boil-overs, and corrosion.

Part #	Package Size	Color	Case Quantity
CA	1 GAL. JUG	GREEN	6
CA55	55 GAL. DRUM	GREEN	-



CONVENTIONAL 50/50

Part #	Package Size	Color	Case Quantity
CA50	1 GAL. JUG	GREEN	6

LONG LIFE FULL STRENGTH

Long Life Antifreeze is made with ethylene glycol. It offers protection for 150,000 miles or 5 years and is compatible with all antifreeze including Dex-Cool®.

Part #	Package Size	Color	Case Quantity
CALL	1 GAL. JUG	ORANGE	6

GLOBAL AUTOMOTIVE FULL STRENGTH

Global Antifreeze is made with ethylene glycol. It mixes with any color antifreeze and works with all makes and models of automobiles and light duty trucks. It also offers extended protection for 150,000 miles or 5 years.

Part #	Package Size	Color	Case Quantity
CAG	1 GAL. JUG	GOLD/PALE GREEN	6



AUTOMATIC TRANSMISSION FLUID

Xtreme Multi-purpose ATF Dexron III/Mercon is a premium, multi-functional automatic transmission fluid designed to service most General Motors, Ford Motor Company and many Chrysler Corporation vehicles. This product may be used wherever General Motors Dexron®, Dexron® II, Dexron® IIE, Dexron® III and Ford Mercon is recommended.

Part #	Package Size	Color	Case Quantity
CATFD3	1 QT. BOTTLE	DEXRON III/MERCON	12
CATFD35	5 GAL. PAIL	DEXRON III/MERCON	-



Syngard Full Synthetic Heavy Duty Automatic Transmission Fluid is a full PAO synthetic transmission fluid for use where Allison TES 295, TES 389, C-4, or C-3 fluids are required. It services many heavy duty and dual rear wheel drive pickup trucks, commercial delivery vehicles, emergency vehicles, and other vehicles equipped with Allison heavy duty automatic transmissions.

Part #	Package Size	Description
CSATFHD5	5 GAL. PAIL	FULLY SYNTHETIC HEAVY DUTY



BRAKE FLUID & POWER STEERING FLUID

BRAKE FLUID

Brake Fluid comes in DOT 3/4 which is glycol based and DOT 5 which is silicone based. Each has its advantages and disadvantages so recommendations are based on application. DOT 3/4 is the much more widely used brake fluid.

Part #	Package Size	Color	Case Quantity
CBF12	12OZ. CAN	DOT 3	12
CBFQ	1 QT. BOTTLE	DOT 3	12
CBFG	1 GAL. JUG	DOT 3	6
CBF512	12OZ. CAN	DOT 5	12



POWER STEERING FLUID

Part #	Package Size	Case Quantity
CPSFQ	1 QT. BOTTLE	12



MULTI-PURPOSE GREASE

Lubriplate 1200-2 Grease is a white colored NLGI #2 grease. It is a premium quality, lithium type grease for general purpose use. Minimum purchase for grease tubes is 1 carton of 10 tubes.

Part #	Package Size	Description	Case Quantity
CL0102-006	1 GAL. CAN	1200-2	6
CL0102-035	5 GAL. PAIL	1200-2	-
CL0102-098	14.5 OZ. CARTRIDGE	1200-2	40



Lubriplate 1242 Grease is a white colored NLGI #2 grease. It is a premium quality, lithium type grease for general purpose use. It is very similar to the 1200-2 but is just slightly more tacky. Minimum purchase for grease tubes is 1 carton of 10 tubes.

Part #	Package Size	Description	Case Quantity
CL0106-098	14.5 OZ. CARTRIDGE	1242	40



Lubriplate 1552 Grease is a white colored NLGI #2 grease. It is a premium quality, lithium complex grease for use as a wheel bearing grease or a premium multi purpose grease. Minimum purchase for grease tubes is 1 carton of 10 tubes.

Part #	Package Size	Description	Case Quantity
CL0166-098	14.5 OZ. CARTRIDGE	1552	40



Lubriplate Wheel Bearing Grease is a white colored NLGI #2 grease. It is a premium quality, lithium complex wheel bearing grease.

Part #	Package Size	Description	Case Quantity
CL0220-004	1LB. CAN	WHEEL BEARING	12
CL0220-006	6LB. CAN	WHEEL BEARING	6



Gard High Temp Multi-Purpose Grease is a red colored NLGI #2 grease. It is an economical, lithium complex wheel bearing grease or for general purpose use. It can be used in temperatures ranging from -40° F to 350° F. Minimum purchase for grease tubes is 1 carton of 10 tubes.

Part #	Package Size	Description	Case Quantity
CLCG	14.5 OZ. CARTRIDGE	HIGH TEMP MULTI-PURPOSE	40

Lubriplate 3000 Grease is a black colored NLGI #2 tacky, moly lithium type grease. It provides a durable, tenacious film to protect against water and corrosion. It is used in heavy duty construction and mining equipment. Minimum purchase for the grease tubes is one carton of 10 tubes.

Part #	Package Size	Description	Case Quantity
CL0108-035	5 GAL. PAIL	3000	-
CL0108-098	14.5 OZ. CARTRIDGE	3000	40



Lucas Red n Tacky Grease is a red colored NLGI #2 grease. It is very tacky and especially good for use in pins and bushings and places where a lot of staying power is needed. Minimum purchase is one carton of 10 tubes.

Part #	Package Size	Description	Case Quantity
CRNTG	14.5 OZ. CARTRIDGE	RED N TACKY	60



MULTI-PURPOSE GREASE & GREASES FOR SPECIAL APPLICATIONS

MULTI-PURPOSE GREASE

Lucas X-Tra Heavy Duty Grease is a green colored NLGI #2 grease. It is virtually wash out proof, withstands high temperatures, and stays soft in very low temperatures. Minimum purchase is one carton of 10 tubes.

Part #	Package Size	Description	Case Quantity
CHDG	14.5 OZ. CARTRIDGE	XTRA HEAVY DUTY	10



Lubriplate 630 Series Grease is a white colored lithium based grease. 630-AAA is an NLGI #0 and 630-AA is an NLGI #1. They are excellent multi-purpose greases used in Maytag wash machine repair and other applications.

Part #	Package Size	Description	Case Quantity
CL0067-035	5 GAL. PAIL	630-AA	-
CL0067-092	100Z. SQUEEZE TUBE	630-AA	12
CL0068-035	5 GAL. PAIL	630-AAA	-



Lubriplate 930-2 Grease is a white colored NLGI #2 bentone type grease. It is formulated for higher temperatures working well up to 375° F and for short intervals up to 400° F. Minimum purchase for the grease tubes is one carton of 10 tubes.

Part #	Package Size	Description	Case Quantity
CL0100-006	1 GAL. CAN	930-2	6
CL0100-035	5 GAL. PAIL	930-2	-
CL0100-098	14.5 OZ. CARTRIDGE	930-2	40



GREASES FOR SPECIAL APPLICATIONS

Lubriplate MAG-00 Grease is an NLGI #00 lithium polymer type grease. It is a pourable grease and can be used in leaking gear boxes.

Part #	Package Size	Description
CL0186-035	5 GAL. PAIL	MAG-00



Lubriplate High Temp Grease is a white colored NLGI #2 bentone type grease. It is a multi-purpose grease which is workable from 40° F to 500° F with frequent lube intervals. Minimum purchase is one carton of 10 tubes.

Part #	Package Size	Description	Case Quantity
CL0161-098	14.5 OZ. CARTRIDGE	HIGH TEMP	40



Lubriplate EMB Grease is a white colored NLGI #2 lithium polymer type grease. It was developed specifically for electric motor bearings, fans, and other high speed bearings. Minimum purchase is one carton of 10 tubes.

Part #	Package Size	Description	Case Quantity
CL0148-098	14.5 OZ. CARTRIDGE	ELECTRIC MOTOR BEARING	40



Lubriplate FGL-2 Grease is a white colored NLGI #2 aluminum complex type grease. It is designed for use in the food and beverage processing industry. It is a class H-1 grease and is USDA authorized for lubricants with incidental contact with edible product. Minimum purchase is one carton of 10 tubes.

Part #	Package Size	Description	Case Quantity
CL0232-098	14.5 OZ. CARTRIDGE	FOOD GRADE	40



GREASES FOR SPECIAL APPLICATIONS & SYNTHETIC GREASE

Lubriplate #105 Motor Assembly Grease is a white colored light bodied grease. It is designed especially for motor assembly. It provides lubrication during the initial start up before the motor oil has circulated and protects freshly machined engine parts.

Part #	Package Size	Description	Case Quantity
CL0034-094	100Z. SQUEEZE TUBE	MOTOR ASSEMBLY	12



Lubriplate Spray Lube A is a white colored medium density lithium based grease. It sprays like a fluid, then congeals to a grease. It is excellent for latches, locks, hinges, battery terminals, and other hardware.

Part #	Package Size	Description	Case Quantity
CL0034-063	110Z. SPRAY CAN	SPRAY LUBE A	12



Lubriplate Gear Shield Extra Heavy is a black colored NLGI #2.5 lithium based grease. It is for all types of open gears and especially for adverse conditions where gears are exposed to abrasive conditions.

Part #	Package Size	Description	Case Quantity
CL0152-063	110Z. SPRAY CAN	GEAR SHIELD EXTRA HEAVY	12



Permatex Dielectric Tune-Up Grease protects electrical connections and wiring from salt, dirt, and corrosion. Prevents voltage leakage, spark plugs from fusing to boots, and is required for modern high energy ignition systems.

Part #	Package Size	Description	Case Quantity
CP81150	0.330Z. SQUEEZE TUBE	DIELECTRIC TUNE-UP	6



SYNTHETIC GREASE

Lubriplate Synxtreme HD-2 is a NLGI #2 calcium sulfonate complex grease. It is a high performance, extreme duty, multi-purpose, synthetic grease which provides unsurpassed anti-wear and extreme pressure protection. It is highly water resistant and works well over a wide range of temperature extremes and other adverse conditions.

Part #	Package Size	Description
CL0401-039	120LB. 1/4 DRUM	SYNXTREME HD-2



We stock the 125cc Flex Lubricator with Lubriplate Synxtreme HD-1/220 Grease. Lubriplate Synxtreme HD-1/220 is a NLGI #1 calcium sulfonate complex grease. It is a high performance, extreme duty, multi-purpose, synthetic grease which provides unsurpassed anti-wear and extreme pressure protection. It is highly water resistant and works well over a wide range of temperature extremes and other adverse conditions. Other types of lubricators and other types of lubricants are available in 5-6 days.

Part #	Package Size	Description
CL0313-231	125CC PERMA LUBRICATOR	FLEX LUBRICATOR W/SYNXTREME HD-1/220



The Flex Lubricator comes with a 1/4 NPT. We stock the following adapters to adapt them to the threads in your bearing. Many other sizes and varieties of adapters are available.

Part #	Description
CLB100-000	1/4-18 FNPT X 1/8-27 MNPT
CLB101-000	1/4-18 FNPT X 1/4-28 M
CLB200-000	1/4-18 FNPT X 1/8-27 MNPT 45°



Perma® Automatic Lubricators

Pre-filled with Lubriplate® Greases and Oils.



Around The Clock Bearing Protection

Clean, Safe, Reliable and Consistent Machinery Lubrication.



Perma automatic lubricators provide clean, safe, reliable and consistent machinery lubrication every day around the clock. They are fully programmable and deliver the right amount of lubricant consistently, day after day, week after week. A wide range of types and sizes are available to meet your exact needs. All come ready to install pre-filled, available with a wide variety of Lubriplate Quality Greases and Oils. They save time, lower maintenance costs and improve workplace safety.

Prevents Breakdowns

Provides Consistent Lubrication To Critical Machine Components.

Fully Programmable

1-12 Month Output Rates - For Precise Machine Lubrication Automatically.

Cost Effective

Reduces Maintenance Time and Associated Downtime, Lowers Labor Costs, Improves Workplace Safety.



Backed By:

Lubriplate®
ESP
Extra Services Package

Plant Surveys
Tech Support
Lubrication Software
Machinery Tags
Training
Follow-Up Oil Analysis

Lubriplate® Lubricants

Newark, NJ 07105 / Toledo, OH 43605
1-800-733-4755 / E-Mail: LubeXpert@lubriplate.com
To visit us on Facebook, Twitter or LinkedIn, go to www.lubriplate.com and click on the desired icon.



Perma Automatic Lubricators Pre-Filled with Lubriplate Lubricants

Perma automatic lubricators provide clean, safe, reliable and consistent machinery lubrication around the clock. They are fully programmable and deliver the right amount of lubricant consistently, day after day, week after week. A wide range of types and sizes are available to meet your exact needs. All come pre-filled, ready to install. They save time and labor costs.

Only select products are available in Perma Lubricators. Check the bottom of chart for lubricant availability.

Part Numbers - Add the desired Perma Package Part Number Suffix listed on the chart to the end of the desired Lubriplate Product Part Number.



PERMA MODEL	VOLUME SIZE	OUTPUT RATE	PRESSURE BUILD-UP	FEATURES / DETAILS	PERMA PACKAGE PART NO. SUFFIX
CLASSIC	120 cc	1 Month (Activator Screw)	65 PSI	Metal Housing	-101
CLASSIC	120 cc	3 Month (Activator Screw)	65 PSI	Metal Housing	-103
CLASSIC	120 cc	6 Month (Activator Screw)	65 PSI	Metal Housing	-106
CLASSIC	120 cc	12 Month (Activator Screw)	65 PSI	Metal Housing	-112
FUTURA	120 cc	1 Month (Activator Screw)	65 PSI	Transparent Plastic Housing	-201
FUTURA	120 cc	3 Month (Activator Screw)	65 PSI	Transparent Plastic Housing	-203
FUTURA	120 cc	6 Month (Activator Screw)	65 PSI	Transparent Plastic Housing	-206
FUTURA	120 cc	12 Month (Activator Screw)	65 PSI	Transparent Plastic Housing	-212
FLEX	60 cc	1 to 12 Mo. Programmable (Dial Select)	73 PSI	Transparent Plastic Housing - Control Dial on Top	-230
FLEX	125 cc	1 to 12 Mo. Programmable (Dial Select)	73 PSI	Transparent Plastic Housing - Control Dial on Top	-231
NOVA	130 cc	Programmable Electronic (Push Button)	90 PSI	LCD Display, Integrated Temperature Compensation	-130
NOVA LC REFILL KIT	130 cc	-	-	Refill Kit - Includes Pre-Filled NOVA LC Unit	-131
STAR VARIO G2	60 cc	1, 3, 6, 12 Mo. Programmable	75 PSI	LCD Display, Push Button Settings, Battery Operated	-460
STAR VARIO G2	120 cc	1, 3, 6, 12 Mo. Programmable	75 PSI	LCD Display, Push Button Settings, Battery Operated	-412
STAR VARIO G2	250 cc	1, 3, 6, 12 Mo. Programmable	75 PSI	LCD Display, Push Button Settings, Battery Operated	-425
STAR CONTROL	60 cc	Based on 100 Machine Hours	75 PSI	PLC Controlled / 12-30 Volts DC	-560
STAR CONTROL	120 cc	Based on 100 Machine Hours	75 PSI	PLC Controlled / 12-30 Volts DC	-512
STAR CONTROL	250 cc	Based on 100 Machine Hours	75 PSI	PLC Controlled / 12-30 Volts DC	-525
STAR LC REFILL KIT	60 cc	-	-	Refill Kit - Includes Pre-Filled LC Unit - Battery Pack	-660
STAR LC REFILL KIT	120 cc	-	-	Refill Kit - Includes Pre-Filled LC Unit - Battery Pack	-612
STAR LC REFILL KIT	250 cc	-	-	Refill Kit - Includes Pre-Filled LC Unit - Battery Pack	-625
PRO	250 cc	1 Day to 24 Mo. Programmable	360 PSI	Battery Operated	-725
PRO	500 cc	1 Day to 24 Mo. Programmable	360 PSI	Battery Operated	-750
PRO MP-6	250 cc	1 Day to 24 Mo. Programmable	360 PSI	Battery Operated, 1-6 Lubrication Points	-726
PRO MP-6	500 cc	1 Day to 24 Mo. Programmable	360 PSI	Battery Operated, 1-6 Lubrication Points	-756
PRO C	250 cc	Based on 100 Machine Hours	360 PSI	PLC Controlled / 12-30 Volts DC	-825
PRO C	500 cc	Based on 100 Machine Hours	360 PSI	PLC Controlled / 12-30 Volts DC	-850
PRO C MP-6	250 cc	Based on 100 Machine Hours	360 PSI	PLC Controlled / 12-30 Volts DC, 1-6 Lubrication Points	-826
PRO C MP-6	500 cc	Based on 100 Machine Hours	360 PSI	PLC Controlled / 12-30 Volts DC, 1-6 Lubrication Points	-856
PRO LV REFILL KIT	250 cc	-	-	Refill Kit - Includes Pre-Filled LV Unit - Battery Pack	-925
PRO LV REFILL KIT	500 cc	-	-	Refill Kit - Includes Pre-Filled LV Unit - Battery Pack	-950

LUBRIPLATE PRODUCTS AVAILABLE IN PERMA LUBRICATORS

PETROLEUM-BASED GREASES	No. 176 Pt. No. L0054-630-AA Pt. No. L0067-630-AAA Pt. No. L0068-730-0 Pt. No. L0083-730-1 Pt. No. L0084-730-2 Pt. No. L0085-930-AA Pt. No. L0096-1200-2 Pt. No. L0102-, 1240 Pt. No. L0105-, 1241 Pt. No. L0104-, 1242 Pt. No. L0106-, 1444 Pt. No. L0227-, 1551 Pt. No. L0165-, 1552 Pt. No. L0166-3000 Pt. No. L0108-, EMB Pt. No. L0148-, HIGH TEMP Pt. No. L0161-, MAG-00 Pt. No. L0186-, MAG-1 Pt. No. L0189-, X-357 Pt. No. L0149-
SYNTHETIC GREASES	POLY HP-2 Pt. No. L0191-SYN-1600 Pt. No. L0300-, SYN-1601 Pt. No. L0301-, SYN-1602 Pt. No. L0302-, SYN-3001 Pt. No. L0315-, SYN-EMB Pt. No. L0335-SYNXTREME HD-1 Pt. No. L0402-, SYNXTREME HD-2 Pt. No. L0401-, SYNXTREME HD-2/220 Pt. No. L0312-
OILS**	CHAIN & CABLE FLUID Pt. No. L0135-, CHAIN & CABLE HEAVY Pt. No. L0136-, SPO-222 Pt. No. L0242-, SPO-233 Pt. No. L0243-,
FOOD GRADE GREASES NSF H-1	CLEARPLEX-2 Pt. No. L0351-FGL-0 Pt. No. L0230-FGL-1 Pt. No. L0231-FGL-2 Pt. No. L0232-FML-1 Pt. No. L0144-FML-2 Pt. No. L0145-PURE TAC Pt. No. L0236-
SYNTHETIC FG GREASES NSF H-1	SFL-00 Pt. No. L0195-SFL-0 Pt. No. L0196-SFL-1 Pt. No. L0197-SYNXTREME FG-0 Pt. No. L0307-SYNXTREME FG-1 Pt. No. L0306-SYNXTREME FG-2 Pt. No. L0305-
FOOD GRADE OILS** NSF H-1	FMO-85-AW Pt. No. L0880-, FMO-200-AW Pt. No. L0881-, FMO-350-AW Pt. No. L0882-
SYNTHETIC FG FLUIDS** NSF H-1	SFGO ULTRA 32 Pt. No. L0915-, SFGO ULTRA 220 Pt. No. L0985-, SYN-H1-220 Pt. No. L0779-

**Lubriplate Oils and Fluids are not available in Perma PRO Series Lubricators.

GREASE GUNS AND ACCESSORIES

Part #	Description
EQGGLA	LEVER ACTION GREASE GUN
EQGGPG	PISTOL GRIP GREASE GUN
EQGGW	12" FLEXIBLE GREASE GUN WHIP
EQGGW18	18" FLEXIBLE GREASE GUN WHIP
EQGGCP	PREMIUM GREASE GUN COUPLER (TIP)
EQGGCLNL	LOCK-N-LUBE GREASE GUN COUPLER



Lock-n-Lube Grease Gun Couplers have the following advantages:

- Will not leak once locked on.
- Hands-free, does not release under pressure
- Rated up to 10,000 PSI.
- Will not leak once locked on.
- 1/8" NPT thread. Compatible with all grease guns.
- Works on all Zerk fittings, SAE and metric.
- Comes with free replacement seal and jaws. Fully rebuildable.
- NEW: easily releases from clogged grease fittings, even under pressure.

METAL WORKING FLUIDS

Lubriplate Metal Working Fluid is a specially developed product for metalworking operations. It is excellent for drilling, tapping, sawing, and grinding. It comes in an aerosol can for easy application.



Part #	Package Size	Description	Case Quantity
CL0185-063	12OZ. CAN	METAL WORKING FLUID	12

Lubriplate No. 405 Dark Cutting Oil is a heavy-duty cutting oil and is recommended for difficult machining operations. Excellent for high carbon steels, alloys, and stainless steels but not recommended for brass, bronze, copper, or aluminum.



Part #	Package Size	Description	Case Quantity
CL0587-057	1 GAL. JUG	#405	4
CL0587-060	5 GAL. PAIL	#405	-

Viking Ultra Lube is formulated to cling to a surface better than most cutting and drilling fluids.

Part #	Package Size	Description	Case Quantity
CUL	4 OZ BOTTLE	ULTRA LUBE	12
CUL16	16 OZ. BOTTLE	ULTRA LUBE	12

WATER SOLUBLE

Lubriplate Cut-n-Cool is a heavy duty, water soluble cutting oil fortified with sulfur and chlorine which delivers substantially longer tool life, improved finish, and more accurate cuts. It may stain brass, bronze, and copper if not cleaned off work shortly after use.



Part #	Package Size	Description	Case Quantity
CL0514-057	1 GAL. JUG	CUT-N-COOL	4
CL0514-060	5 GAL. PAIL	CUT-N-COOL	-

SUGGESTED DILUTION RATIOS FOR CUT-N-COOL

Operation	Starting Dilution
CENTERLESS, ID, OD, SURFACE GRINDING	33 TO 1
MILLING, DRILLING, TURNING	20 TO 1
TAPPING, REAMING, SAWING	10 TO 1

METAL WORKING FLUIDS & COMPOUNDS

WATER SOLUBLE

Fiske's HP-76 is a synthetic, water soluble fluid recommended for grinding and machining. It is recommended for ferrous, non-ferrous, and exotic metals. It is known for its low foaming properties.

Part #	Package Size	Description	Case Quantity
CF0534-056	1 GAL. JUG	HP-76	4

SUGGESTED DILUTION RATIOS FOR HP-76

Operation	Starting Dilution
TURNING, FACING, SHAPING	15 TO 1
MILLING, PLANING, REAMING, BORING, SAWING	10 TO 1
DRILLING	20 TO 1
TAPPING, BROACHING (LIGHT), STAMPING	5 TO 1
GRINDING	50 TO 1

GRINDING COMPOUND

Permatex Valve Grinding Compound is an aid to valve grinding and seating operations to remove burrs, surface defects, carbon, gum, and corrosion. It can be used for lapping and grinding chromium. It mixes with water to form an easy-to-use paste.

Part #	Package Size	Description	Case Quantity
CP80036	1.5OZ. SQUEEZE TUBE	VALVE GRINDING COMPOUND	12



AIR COMPRESSOR OIL, AIR TOOL LUBRICANT, & VACUUM PUMP OIL

AIR COMPRESSOR OIL

Lubriplate Air Compressor Oils are formulated to reduce carbon and varnish buildup. They contain fluid zinc to effectively fight friction and wear thus reducing heat and foaming.

Part #	Package Size	Description	SAE No.	Case Quantity
CL0704-057	1 GAL. JUG	AC-0	10	4
CL0705-057	1 GAL. JUG	AC-1	20	4
CL0706-057	1 GAL. JUG	AC-2	20	4
CL0706-054	1 QT. JUG	AC-2	20	12
CL0707-057	1 GAL. JUG	AC-2A	30	4
CL0707-054	1 QT. JUG	AC-2A	30	12
CL0710-057	1 GAL. JUG	AC-4	40	4



SYNTHETIC AIR COMPRESSOR OIL

Part #	Package Size	Description	SAE No.	Case Quantity
CL0971-057	1 GAL. JUG	SYN LUBE 46	20	4
CL0935-057	1 GAL. JUG	SYNAC 100	30	4

AIR TOOL LUBRICANT

Lubriplate Air Tool Lubricant is designed for both rotary and reciprocating types of air tools. It is proven as an excellent air line lubricant and removes gumming and sludge.

Part #	Package Size	Description	Case Quantity
CL0713-054	1 QT. BOTTLE	AIR TOOL LUBRICANT	12
CL0713-057	1 GAL. JUG	AIR TOOL LUBRICANT	4
CL0713-060	5 GAL. PAIL	AIR TOOL LUBRICANT	-



VACUUM PUMP OIL

Lubriplate Vacuum Pump Oil is a high performance, non-detergent mineral oil recommended for use in most rotary vane and rotary lobe vacuum pumps. It is designed to alleviate sludge, carbon deposits, and contamination problems commonly found in industrial vacuum pumps.

Part #	Package Size	Description	Case Quantity
CL0945-057	1 GAL. JUG	VACUUM PUMP OIL	4
CL0945-060	5 GAL. PAIL	VACUUM PUMP OIL	-



WAY LUBE, HYDRAULIC JACK OIL, & CHAIN AND BAR LUBE

HYDRAULIC JACK OIL

LUBRIPLATE Hydraulic Jack Oil is a heavy duty, high pressure, anti-wear, and non-corrosive hydraulic fluid recommended for hydraulic jacks and similar applications.

Part #	Package Size	Description	Case Quantity
CL0768-054	1 QT. JUG	HYDRAULIC JACK OIL	12

WAY LUBE

Fiske's Way Lube 68 is a medium weight oil designed for combination machine tool way lubrication and bearing lubrication. It contains lubricity and tacky agents to improve both its anti-wear capability and adhesiveness.

Part #	Package Size	Description
CF0570-060	5 GAL. PAIL	WAY LUBE

CHAIN & BAR LUBE

Xtreme Chain & Bar Lube is blended with virgin base oils only. They receive a treatment of polymer wetting and tackiness additives. All Season Chain & Bar Lube is designed to use year round.

Part #	Package Size	Description	Case Quantity
CCBLSG	1 GAL. JUG	SUMMERGRADE	4
CCBLWG	1 GAL. JUG	WINTERGRADE	4
CCBLSG55	55 GAL. DRUM	SUMMERGRADE	-
CCBLWG55	55 GAL. DRUM	WINTERGRADE	-



2-CYCLE ENGINE OIL, 5TH WHEEL AND SLIDER LUBE, FOOD MACHINERY OIL & FUEL ADDITIVES

2-CYCLE ENGINE OIL

Syngard™ Synthetic Blend 2-Cycle Engine Oil is designed to give the ultimate in engine protection for all air cooled 2-cycle engines. It is blended using synthetic and conventional base stocks and state-of-the-art additive technology. The 6.4 oz. bottle size is convenient to mix 2.5 gallons 50 to 1 or 2 gallons 40 to 1.

Part #	Package Size	Description	Case Quantity
CSCS0	6.4OZ. BOTTLE	2-CYCLE OIL	24
C0016	16 OZ. BOTTLE	2-CYCLE OUTBOARD OIL	12
C0032	1 QT. BOTTLE	2-CYCLE OUTBOARD OIL	12
C00128	1 GAL. JUG	2-CYCLE OUTBOARD OIL	4

5TH WHEEL & SLIDER LUBE

Lucas 5th Wheel & Slider Lube is a clean inexpensive alternative to grease for 5th wheels and sliders. It is an easy solution to the problem of dry 5th wheels and slider rails and it is virtually waterproof so it won't wash off of slider rails on wet roads.

Part #	Package Size	Description	Case Quantity
CFWL	16OZ. BOTTLE	5TH WHEEL LUBE	12



FOOD MACHINERY OIL

Lubriplate FMO-350-AW is a food machinery oil. It is Class H-1 so it can be used where there is incidental contact with food.

Part #	Package Size	Description	Case Quantity
CL0882-063	12OZ. CAN	FMO-350-AW	12



FUEL ADDITIVES

Lucas Upper Cylinder Lubricant (Fuel Treatment) is formulated for both gasoline and diesel engines. It is a blend of super slick oils and high detergents to clean and add lubricity to fuel.

Part #	Package Size	Description	Case Quantity
CFT5	5.25 OZ. BOTTLE	FUEL TREATMENT	24
CFTQ	1 QT. BOTTLE	FUEL TREATMENT	12
CFT	1 GAL. JUG	FUEL TREATMENT	4



STP Diesel Fuel Treatment & Injector Cleaner cleans and contains cetane improvers to boost cold start performance.

Part #	Package Size	Description	Case Quantity
CDT	20OZ. BOTTLE	DIESEL TREATMENT	6



Power Service Diesel Fuel Supplement is an anti-gel/winterizer intended for use in temperatures below 30° F. It prevents fuel gelling, fuel filters from plugging with wax, and boosts cetane for better cold starts.

Part #	Package Size	Description	Case Quantity
CDFS	1 QT. BOTTLE	DIESEL FUEL SUPPLEMENT	12
CDCBQ	1 QT. BOTTLE	DIESEL CETANE BOOST	12



FUEL ADDITIVES & FUEL AND OIL ADDITIVES

FUEL ADDITIVES

Howe's Diesel Treat is a diesel fuel anti-gel. It also adds lubricity and displaces water out of fuel.

Part #	Package Size	Description	Case Quantity
CHL	1/2 GAL. BOTTLE	DIESEL TREAT & ANTI GEL	6



Lucas Bio Medic Fuel Sterilizer is designed to control biological and organic growth in diesel fuel. It can be used to sterilize infected fuel or for preventative maintenance.

Part #	Package Size	Description	Case Quantity
CBMFS	1 GAL. JUG	FUEL STERILIZER	4

Lead Substitute prevents valve seat damage in older engines which were designed for leaded gasoline.

Part #	Package Size	Description	Case Quantity
CLS	12OZ. BOTTLE	LEAD SUBSTITUTE	12



FUEL & OIL ADDITIVES

Seafoam Motor Treatment is petroleum based and can be added to oil or fuel. It cleans, stabilizes fuel, controls moisture, and adds lubricity. It is safe to use with all engine components.

Part #	Package Size	Description	Case Quantity
CMT	16OZ. BOTTLE	MOTOR TREATMENT	24



Marvel Mystery Oil can be added to fuel or oil. When added to fuel it cleans and adds lubricity. When added to oil it breaks down deposits of carbon and sludge which prevents valve sticking and clatter.

Part #	Package Size	Description	Case Qty
CMMOQ	1 QT. BOTTLE	MARVEL MYSTERY OIL	6
CMMOG	1 GAL. JUG	MARVEL MYSTERY OIL	4



LUBRICANTS & CHEMICALS

OIL AND TRANSMISSION ADDITIVES

OIL ADDITIVES

Lucas Heavy Duty Oil Stabilizer is a 100% petroleum based product formulated to eliminate dry starts, reduce friction, heat, and wear in engines.

Part #	Package Size	Description	Case Quantity
COSQ	1 QT. BOTTLE	OIL STABILIZER	12
COS	1 GAL. JUG	OIL STABILIZER	4



Lucas Synthetic Oil Stabilizer is light enough for an import and tough enough for a semi. It is especially for equipment which requires synthetic oil or needs enhanced performance.

Part #	Package Size	Description	Case Quantity
CSOSQ	1 QT. BOTTLE	SYNTHETIC OIL STABILIZER	12



TRANSMISSION ADDITIVES

Lubegard® ATF Protectant can be used with any ATF (except Ford type F and CVT applications) to prevent overheating, extend fluid life, reduce foaming and oxidation, and protect seals.

Part #	Package Size	Description	Case Quantity
CATFLR	100Z BOTTLE	ATF PROTECTANT	12



Lubegard® Highly Friction Modified ATF Supplement eliminates the need to stock multiple highly friction modified ATFs. Just use a standard ATF and add Lubegard® HFM ATF Supplement. It also contains the benefits of Lubegard® ATF Protectant.

Part #	Package Size	Description	Case Quantity
CATFLB	100Z BOTTLE	HIGHLY FRICTION MODIFIED ATF SUPPLEMENT	12



Lubegard® M-V ATF Supplement eliminates the need to stock Mercon V ATF. Just use a standard ATF and add Lubegard® M-V ATF Supplement. It also contains the benefits of Lubegard® ATF Protectant.

Part #	Package Size	Description	Case Quantity
CATFLM5	100Z BOTTLE	M-V ATF SUPPLEMENT	12



Lucas Transmission Fix is a non-solvent formula that stops slip, hesitation, and rough shifting in worn transmissions. It also stops most seal leaks.

Part #	Package Size	Description	Case Quantity
CTF	240Z. BOTTLE	TRANSMISSION FIX	12



Seafoam Transtune is designed to use in transmission, power steering, and hydraulic systems. It cleans components and removes moisture, does not harm or swell seals and does not alter viscosity of transmission fluid.

Part #	Package Size	Description	Case Quantity
CTT	160Z. BOTTLE	TRANSTUNE	12



TRANSMISSION, POWER STEERING AND MISC. ADDITIVES

TRANSMISSION ADDITIVES

Lubegard® Shudder Fixx® is used with any ATF (except Type F and CVT applications) to eliminate torque converter shudder problems.

Part #	Package Size	Description	Case Quantity
CSFL	20Z. TUBE	SHUDDER FIXX	24

Lubegard® Kooler Kleen is used to safely flush contaminants from the transmission cooler and lines to prevent them from entering a newly installed transmission. It doesn't leave any residue behind to contaminate new fluid and doesn't harm seals.

Part #	Package Size	Description	Case Quantity
CKKL	13.25OZ. CAN	KOOLER KLEEN	12



POWER STEERING ADDITIVES

Lubegard® Power Steering Protectant is useful in eliminating noises, stiffness, stickiness, improving performance, reducing wear, and preventing fluid breakdown. It also converts standard fluids into a premium universal fluid.

Part #	Package Size	Description	Case Quantity
CPSPL	4OZ. BOTTLE	POWER STEERING PROTECTANT	12

Lucas Power Steering Stop Leak is effective in reducing slack, squeals, and hard spots in worn rack and pinions.

Part #	Package Size	Description	Case Quantity
CPSSLQ	1 QT. BOTTLE	POWER STEERING STOP LEAK	12



MISC. ADDITIVES

Lubegard® Kool-It® is very effective in preventing electrolysis, corrosion, and pitting in cooling systems. It is compatible with all types of antifreeze.

Part #	Package Size	Description	Case Quantity
CKIL	16OZ BOTTLE	KOOL-IT	12

Lucas Hydraulic Boost stops leaks in hydraulic systems and increases hydraulic pressure.

Part #	Package Size	Description	Case Quantity
CHB	1 GAL. JUG	HYDRAULIC BOOST	4

Lucas Hub Oil was formulated to stop leaks in steering axles and trailer hubs on heavy duty trucks.

Part #	Package Size	Description	Case Quantity
CHO	1 QT. BOTTLE	HUB OIL	12

Isopropyl Gas line Antifreeze removes water from fuel and is safer for the system than methanol because it allows the water to mix with the fuel and removes it from the system.

Part #	Package Size	Description	Case Quantity
CIGA	10OZ. BOTTLE	ISOPROPYL GAS LINE ANTIFREEZE	24

Bar's Leak Cooling System Treatment is a great way to prevent and stop leaks in a cooling system.

Part #	Package Size	Description	Case Quantity
CBLCG	100-5 GRAM TABLETS	COOLING SYSTEM STOP LEAK	1



LUBRICANTS & CHEMICALS

PENETRATING OILS

WD-40 is a penetrant and lubricant which displaces moisture and protects.

Part #	Package Size	Description	Case Quantity
CWD40	12OZ. CAN	WD-40	12
CWD40G	1 GAL. JUG	WD-40	4

Part #	Description
EQWD40D	WD-40 HAND PUMP SPRAY APPLICATOR



B'laster PB50 All Purpose Lube is a penetrant and lubricant which displaces moisture and protects. It is B'laster's equivalent of WD-40.

Part #	Package Size	Description	Case Quantity
CPB50	8OZ. CAN	PB50	12



Stoner Skid penetrates, lubricates, cleans, and protects. It leaves a very thin coating to help protect metals and prevent future seizing.

Part #	Package Size	Description	Case Quantity
CSK	10OZ. CAN	SKID	12



B'laster Penetrating Catalyst is a penetrant which breaks loose surface tension on rusted/frozen parts. It also provides minimal lubricating action.

Part #	Package Size	Description	Case Quantity
CPBB	11OZ. CAN	PB BLASTER	12
CPBBG	1 GAL. JUG	PB BLASTER	4



Cyclo Breakaway Penetrant penetrates quickly and leaves a long lasting lubricant. It is excellent at stopping annoying squeaks and protecting against rust and corrosion.

Part #	Package Size	Description	Case Quantity
CCBP	13OZ. CAN	CYCLO BREAKAWAY	12



Seafoam Deep Creep penetrates rusted parts and lubricates moving metal parts, disperses moisture, and cuts through grease, engine varnish, and road tar. It withstands heat so it can be used with a torch to loosen badly rusted parts.

Part #	Package Size	Description	Case Quantity
CDC	12OZ CAN	DEEP CREEP	12



Gibbs Brand Lubricant is an excellent penetrant, lubricant, and cleaner. It stops and eliminates corrosion, displaces moisture, and provides long lasting protection for storage.

Part #	Package Size	Description	Case Quantity
CGPL	12OZ. CAN	GIBBS	12



Lubriplate Chain & Cable Fluid is a superior penetrating oil that cleans and lubricates without gumming. It is ideal for chains, cables, and other moving metal parts.

Part #	Package Size	Description	Case Quantity
CL0135-063	12OZ CAN	CHAIN & CABLE FLUID	12
CL0135-035	5 GAL. PAIL	CHAIN & CABLE FLUID	-
CL0135-039	16 GAL 1/4 DRUM	CHAIN & CABLE FLUID	-

CRC Freeze-Off® is a unique formula that immediately drops the temperature of the area in direct contact with the spray. The freezing effect cracks rusted surfaces, allowing Freeze-Off® to reach deeper & work more effectively than other penetrants. Low VOC Formula.

Part #	Package Size	Description	Case Quantity
CFO	11.5 OZ. CAN	FREEZE-OFF SUPER PENETRANT	12



LUBRICANTS & CHEMICALS

DRY LUBES

Stoner E408 Dry Film Mold Release is an extremely versatile release agent and anti-stick lubricant for molded materials such as plastics, rubber, composites, and similar materials. This dry, anti-stick surface coating provides fast, easy part removal from molds and multiple part releases per application. E408 contains no silicones, oils, or waxes and most molded parts do not require cleaning prior to painting, hotstamping, plating, or similar decorating.



Part #	Package Size	Description	Case Quantity
CDFT	12 OZ CAN	STONER DRY FILM MOLD RELEASE	12

LUBRICANTS & CHEMICALS

B'laster Dry Lube is formulated with Teflon™ Fluoropolymer, which helps reduce friction and wear, protect surfaces and enhance performance. Use it on locks and catches, hinges, cables, window and door tracks, rope and conveyor belts. It provides superior lubrication and is safe for use on most plastics.



Part #	Package Size	Description	Case Quantity
CPBDL	9.3 OZ. CAN	B'LASTER DRY LUBE W/TEFLON	12

WD-40® SPECIALIST® DIRT & DUST RESISTANT DRY LUBE PTFE SPRAY lubricates and provides superior long-lasting corrosion protection with no oily residue. It dries quickly and resists dirt, dust and oil. WD-40 Specialist Dirt & Dust Resistant Dry Lube PTFE Spray reduces friction and wear on blades and bits, door and window tracks, slides, conveyor belts, rollers, hinges, power tools and equipment. Our dry lubricant is also ideal for releasing molded parts, and it's 50-state VOC compliant.

Part #	Package Size	Description	Case Quantity
CWD40DL	10 OZ. CAN	WD40 DRY LUBE PTFE SPRAY	6

CLEANING CHEMICALS

Master Carb & Choke Cleaner is oxygen sensor and catalytic converter safe.

Part #	Package Size	Description	Case Quantity
CCC20	16.25OZ. CAN	CARB & CHOKE CLEANER	12



Seafoam Spray is for internal engine use only. It cleans varnish and deposit buildup in 2 cycle and 4 cycle engines.

Part #	Package Size	Description	Case Quantity
CSES	12OZ. CAN	SEAFOAM SPRAY	12



CRC Brakleen (5089) is formulated to quickly and effectively remove grease, oils, and dirt from brake parts. It is a chlorinated, non-flammable formula.

Part #	Package Size	Description	Case Quantity
CBK	19OZ. CAN	BRAKLEEN	12



Mag 1 Non-Chlorinated Brake Cleaner is formulated to quickly and effectively remove grease, oils, and dirt from brake parts. It is a non-chlorinated, flammable formula.

Part #	Package Size	Description	Case Quantity
CBCNC	14OZ. CAN	NON-CHLORINATED BRAKE CLEANER	12



Electric Contact Cleaner and Electric Motor Cleaner quickly and effectively degrease and remove dirt and other foreign matter from electrical devices and parts, that may cause electrical failure. The Electric Contact Cleaner is a quick dry formula.

Part #	Package Size	Description	Case Quantity
CECC	11 OZ. CAN	QUICK DRY ELECTRIC CONTACT CLEANER	12

CEMC	14.5 OZ. CAN	ELECTIC MOTOR CLEANER	12
------	--------------	-----------------------	----

B'laster Air Tool Conditioner is designed to restore and prolong air tool life by cleaning, coating, and lubricating tools. It breaks loose deposits which accumulate over time and inhibits rust.

Part #	Package Size	Description	Case Quantity
CATC	11OZ. CAN	AIR TOOL CONDITIONER	12



Battery Terminal Cleaner and Battery Terminal Protector are specifically designed for battery terminal cleaning and protection.

Part #	Package Size	Description	Case Quantity
CBTC	6 OZ. CAN	BATTERY TERMINAL CLEANER	12
CBP	6 OZ. CAN	BATTERY PROTECTOR	12

XENIT contains NO soap or water. Instead, it contains more powerful ingredients like Citrus 66, a natural cleaning solvent. Unlike most water-based cleaners that just lift and carry dirt, XENIT's MicroActive cleaning action loosens and breaks down the complex molecules found in sticky materials and difficult stains. XENIT leaves no residue, has a pleasant orange scent, and contains a disinfectant to help kill germs and odors.

Part #	Package Size	Description	Case Quantity
CXCCS	10 OZ. CAN	XENIT CITRUS CLEANER	12



Anti-Spatter Spray: Environmentally safe spray reduces welding spatter. Made of non-toxic ingredients

Part #	Package Size	Description	Case Quantity
CWASS	12 OZ. CAN	WELDING ANTI-SPATTER SPRAY	12

LUBRICANTS & CHEMICALS

STARTING FLUID & SILICONE LUBRICANT

STARTING FLUID

Starting Fluid saves batteries in cold weather. It contains upper cylinder lubricant and works down to -65° F. Premium starting fluid contains 50% ether and has twice the starting power of regular starting fluid.

Part #	Package Size	Description	Case Quantity
CSFR	11OZ CAN	REGULAR STARTING FLUID	12
CSFPB	11OZ CAN	PREMIUM STARTING FLUID	12
CSFPS	7.5OZ. CAN	PREMIUM STARTING FLUID	12



SILICONE LUBRICANT

Johnsen's Silicone Lubricant is an all purpose lubricant. It prolongs life, prevents squeaks, and lubricates.



Part #	Package Size	Description	Case Quantity
CSS	10OZ. CAN	SILICONE SPRAY	12

Stoner Food Grade Silicone Spray is a versatile lubricant which reduces friction and prevents sticking for faster, quieter, and more efficient machine operation.



Part #	Package Size	Description	Case Quantity
CSSA635	9OZ. CAN	FOOD GRADE SILICONE SPRAY	12

BELT DRESSING, BRAKE FINISHING, FLOOR DRY

BELT DRESSING

Permatex Belt Dressing extends belt life by penetrating the cord fibers of v-belts to restore pliability, flexibility, and prevent slippage due to heat, cold, dampness, and dust.

Part #	Package Size	Description	Case Quantity
CP80073	12OZ CAN	BELT DRESSING	12



BRAKE FINISHING

Lubegard® Squeak Relief is a brake job finishing treatment which stops squeals without changing pedal feel or the break in properties of the linings. It also prevents brake surface rust/oxidation and is effective on all brake systems.

Part #	Package Size	Description	Case Quantity
CSRL	11OZ. CAN	SQUEAK RELIEF	6



LUBRICANTS & CHEMICALS

FLOOR DRY

Diatomaceous Earth soaks up better than clay products and so is less expensive to use.

Part #	Package Size	Description
CFDD25	25 LB. BAG	DIATOMACEOUS EARTH FLOOR DRY

Nviro Clean Spill Remediation soaks up spills so fast you pour it on and sweep it off. You can sift out the used product and reuse the rest. It is environmentally friendly and it is super easy to use and soaks up far more liquid per volume than competitive products saving time and money!

Part #	Package Size	Description
CFDN5	5 LB. BAG	NVIROCLEAN SPILL REMEDIATION PRODUCT
CFDN20	20 LB. BAG	NVIROCLEAN SPILL REMEDIATION PRODUCT

WELD COMPOUNDS

COLD WELD COMPOUNDS

Master PermaWeld is a cold bonding compound. Full cure is 16 hours. Once cured it can be drilled, tapped, machined, filed, and sanded. It is resistant to diesel, gas, oil, water, and antifreeze.

Part #	Package Size	Description	Case Quantity
CPW	2/10Z. TUBES	PERMAWELD	6



Pro Seal Proweld Quik is a quick set epoxy steel and sets in 4 minutes. It resists temperatures up to 300° F. It can be drilled, tapped, machined, filed, and sanded. It is resistant to diesel, gas, oil, water, and antifreeze.

Part #	Package Size	Description	Case Quantity
CPS64605	2/10Z. TUBES	PROWELD QUIK	12



LUBRICANTS & CHEMICALS

ANTISEIZE, THREAD SEALANT W/PTFE (PIPE DOPE), & SLIME

ANTISEIZE

Permatex Antiseize Lubricant is used during assembly to prevent galling, corrosion, and seizing. It withstands temperatures of up to 1600° F for the aluminum antiseize and up to 1800 F for the copper antiseize.

Part #	Package Size	Description	Case Quantity
CP81343	10Z. TUBE	ALUMINUM ANTISEIZE LUBRICANT	12
CP80078	80Z. BOTTLE W/BRUSH	ALUMINUM ANTISEIZE LUBRICANT	12
CP81464	8.5OZ. AEROSOL CAN	ALUMINUM ANTISEIZE LUBRICANT	12
CP31163	16 OZ. BOTTLE W/BRUSH	COPPER ANTISEIZE LUBRICANT	12



THREAD SEALANT W/PTFE (PIPE DOPE)

Permatex Thread Sealant w/PTFE is a general purpose fitting sealant which out performs tapes and pipe dopes. It seals and resists pressure in air, oil, diesel, and hydraulic systems. Withstands temperatures of -65° F to 300° F.

Part #	Package Size	Description	Case Quantity
CP80632	40Z BOTTLE	THREAD SEALANT W/TEFLON	12
CP80633	160Z. BOTTLE	THREAD SEALANT W/TEFLON	12



Permatex High Temp Thread Sealant locks and seals threaded fittings. It resists leakage, vibration loosening, moisture, hydraulic fluids and diesel fuels. It lubricates threads for easy assembly and disassembly. Won't shred or wear like Teflon® tape. Parts may be repositioned up to 4 hours after application. Temperature range -65°F to 400°F (-54°C to 204°C). Contains PTFE.

Part #	Package Size	Description	Case Quantity
CP59235	1.69 OZ. TUBE	HIGH TEMP THREAD SEALANT	6

SLIME

Slime Tire Sealant is formulated for use in all pneumatic tires. Once installed slime remains liquid and will not harden or dry out. As a treated tire rotates centrifugal force pushes the sealant to the tread area treating punctures. It is not intended to repair sidewall punctures, bead leaks, damaged rims, or faulty valves. On high speed, over the road tires it should be used as a temporary repair only.

Part #	Package Size	Description	Case Quantity
CTS16	160Z. BOTTLE	TUBELESS TIRE SEALANT	6
CTS32	32OZ. BOTTLE	TUBELESS TIRE SEALANT	6
CTSG	1 GAL. JUG	TUBELESS TIRE SEALANT	2



Slime Tube Sealant is formulated for use in all tube tires. Once installed slime remains liquid and will not harden or dry out. As a treated tire rotates centrifugal force pushes the sealant to the tread area treating punctures. It is not intended to repair sidewall punctures, bead leaks, damaged rims, or faulty valves. On high speed, over the road tires it should be used as a temporary repair only.

Part #	Package Size	Description	Case Quantity
CTST16	160Z. BOTTLE	TUBE SEALANT	6



SHOP TOWELS, PIG PRODUCTS, PIG MATS & CAR CARE PRODUCTS

SHOP TOWELS

Scott Shop Towels are strong, absorbent, multipurpose, and disposable. They are excellent for tough jobs.

Part #	Package Size	Description	Case Quantity
EQST	55 TOWEL ROLL	SHOP TOWELS ON A ROLL	30
EQSTB	200 TOWEL BOX	SHOP TOWELS IN A BOX	8



Part #	Description
EQSTH	HOOK FOR SHOP TOWEL ROLLS

LUBRICANTS & CHEMICALS

PIG PRODUCTS

Pig Products are the best products for absorbing, containing, and controlling leaks, drips, and spills.

PIG MATS

Part #	Size	Description	Absorbency	Bag Quantity
EQP460	15" X 20"	OIL-ONLY ABSORBENT MAT	UP TO 220Z./PAD	125

CAR CARE PRODUCTS

Aerosol Glass Cleaner is specially formulated for cleaning and shining glass and similar surfaces.

Part #	Package Size	Description	Case Quantity
CGCM	18OZ. CAN	AEROSOL GLASS CLEANER	12



Gunk Glass Cleaner with ammonia cleans glass without streaking. It comes in a hand pump spray bottle.

Part #	Package Size	Description	Case Quantity
CGCG	33OZ. BOTTLE	GLASS CLEANER	12



RainX Rain Repellant helps improve visibility by repelling rain, sleet, and snow. It helps easily remove frost, ice, salt, mud, and bugs from treated windows.

Part #	Package Size	Description	Case Quantity
CRX	3.5OZ. BOTTLE	RAINX RAIN REPELLANT	12



Master Tire Care Foam cleans, shines, and protects tires in one step. There is no wiping and no mess.

Part #	Package Size	Description	Case Quantity
CTCF	15OZ.CAN	TIRE CARE FOAM	12



Prime Blend Rubberized Undercoat seals and protects vehicles against moisture, rust, and corrosion. It also helps quiet squeaks and deadens noise. It is quick drying and paintable.

Part #	Package Size	Description	Case Quantity
CUPB	18OZ.	UNDERCOATING	12



HAND CLEANERS

Crystal Green Hand Cleaner cleans and conditions. It is for use with or without water. It liquefies, emulsifies, dissolves, and floats away oil, grease, tar, dirt, ink, and paint.

Part #	Package Size	Description	Case Quantity
CHCCGN	1 GAL. JUG	CRYSTAL GREEN	4
CHCCGNQ	1 QT. BOTTLE	CRYSTAL GREEN	12

Part #	Description
EQHCP	REPLACEMENT HAND CLEANER PUMP FOR GALLON JUGS



Permatex Fast Orange Hand Cleaner is biodegradable, waterless, petroleum solvent free, and contains no harsh chemicals. Pure, fresh smelling, natural citrus power does the cleaning. It is available smooth, or with pumice. The fine pumice provides an abrasive to remove the toughest dirt.

Part #	Package Size	Description	Case Quantity
CP23-122	15 OZ. BOTTLE	FAST ORANGE SMOOTH	12
CP23-218	1 GAL. JUG	FAST ORANGE SMOOTH	4
CP25-219	1 GAL. JUG	FAST ORANGE W/PUMICE	4



Gojo Orange Hand Cleaner w/Pumice is a quick acting lotion formula with pumice scrubbing particles for cleaning a broad range of industrial soils, medium dirt, and grease. It uses citrus power to do the cleaning.

Part #	Package Size	Description	Case Quantity
CHCGJOPG	1 GAL. JUG	GOJO ORANGE HAND CLEANER	2



Gojo Power Gold Hand Cleaner is a highly effective fast acting hand cleaner for removing the heaviest grease, tar, and oil. It contains no harsh solvents. The scrubbing particles are natural and non-irritating.

Part #	Package Size	Description	Case Quantity
CHCGJPG2L	1/2 GAL. JUG	POWER GOLD HAND CLEANER	2
CHCGJPGWC	2L BAG IN A BOX	POWER GOLD HAND CLEANER	4



PAINT



Seymour of Sycamore is the manufacturer of quality spray paints and chemicals since 1949. Seymour spray paint is quite simply, the best spray paint available. With high solids content it covers more quickly than the competition. It does not run or sag, resists heat and chemicals, and protects against weather.

SPRAY PAINT

MRO® HIGH SOLIDS

A superior industrial spray paint with the highest solid content of all Seymour paints. Formulated for maintenance operations where maximum performance is required. This high solids paint does not run or sag, and gives twice the coverage of conventional spray paints. Resists oil, gas, heat and sunlight.

Part #	Seymour Part #	Color
CSPMFB	620-1433	FLAT BLACK
CSPMGB	620-1415	GLOSS BLACK
CSPMFW	620-1412	FLAT WHITE
CSPMGW	620-1413	GLOSS WHITE
CSPMGL	620-1418	LIGHT MACHINERY GRAY (ANSI 70)
CSPMG	620-1416	GRAY (ANSI 61)
CSPMDMG	620-1417	DARK MACHINERY GRAY (ANSI 49)
CSPMCG	620-1448	CASCADE GREEN
CSPMDG	620-1449	DARK GREEN
CSPMIR	620-1441	IHC RED
CSPMLB	620-1430	LIFT BLUE
CSPMOO	620-1450	OMAHA ORANGE
CSPMRY	620-1446	RYDER YELLOW
CSPMSB	620-1427	SAFETY BLUE
CSPMSY	620-1419	SAFETY YELLOW
CSPMA	620-1411	ALUMINUM
CSPMSS	620-1460	STAINLESS STEEL
CSPMGP	620-1431	GRAY PRIMER
CSPMRIOP	620-1407	RED IRON OXIDE PRIMER



HI-TECH®

A premium grade spray paint formulated for general purpose applications where maximum indoor/outdoor coating performance is required. Hi-Tech provides a tough finish that inhibits rust and resists heat and gasoline. Available in a complete line of high gloss colors, with some available in semi-gloss and flat finishes. Hides well, dries fast, and resists chipping and peeling.

Part #	Seymour Part #	Color
CSPHGC	16-121	GLOSS CLEAR UV LACQUER
CSPHGB	16-139	SEMI GLOSS BLACK



LUBRICANTS & CHEMICALS

PAINT

SPRAY PAINT

SPRUCE®

Spruce General Use spray paint is formulated to give you a full service line of quality, low priced aerosol products.

- Designed for close-up (8-10") spraying
- Eliminates wasted paint, over-spraying and sag
- Does not contain lead, CFC's or chlorinated solvents

Part #	Seymour Part #	Color
CSPSGB	98-3	GLOSS BLACK
CSPSGLY	98-34	GLOSS LIGHT YELLOW
CSPSGW	98-2	GLOSS WHITE
CSPSCA	98-1	CHROME ALUMINUM LACQUER
CSPSSGB	98-38	SEMI-GLOSS BLACK LACQUER



STRIPE® INVERTED TIP MARKING PAINT • WATER & SOLVENT BASED

A fast drying marking paint designed to be sprayed in an inverted position. Uses a patented technology to cut the environmental impact in half (as compared to standard solvent based marking paint). Produces vivid marks, does not clog, and is safe for grass. The solvent based formulation works well in low temperatures. Meets APWA color standards.

Part #	Seymour Part #	Color
CSPMAFB	20-369	FLUORESCENT BLUE WATERBASED
CSPMAFG	20-368	FLUORESCENT GREEN WATERBASED
CSPMAFO	20-357	FLUORESCENT ORANGE WATERBASED
CSPMAFP	20-379	FLUORESCENT PINK WATERBASED
CSPMAFY	20-376	FLUORESCENT YELLOW WATERBASED
CSPMAW	20-352	WHITE WATERBASED
CSPMASFO	20-957	FLUORESCENT ORANGE SOLVENTBASED



STRIPE® EXTRA TRAFFIC MARKER MARKING PAINT

Formulated for heavy-duty application in high traffic areas. This marker offers maximum adhesion and durability. Stripe Extra is easily applied and dries quickly to provide a durable coating. Non-bleed formulation is ideal for freshly paved parking lots.

Part #	Seymour Part #	Color
CSPMAETFY	20-781	FLOURESCENT YELLOW
CSPMAETY	20-786	YELLOW



PAINT & SPECIALTY COATINGS

SPRAY PAINT

FARM & INDUSTRY

Farm and Industry paint is not only environmentally safer, but economical to use. More coverage and better hide per can requires fewer cans to get the job done. Seymour's Farm and Industry spray enamel is heat resistant to 300°F, and dries quickly to a hard, long-lasting finish. Offered in a wide variety of factory-matched colors that won't fade, chip, crack or peel and is resistant to many chemicals including gasoline, oil and grease. Excellent for touch-up on farm tractors, implements, industrial and construction equipment.

Part #	Seymour Part #	Color
CSPFIFB	16-242	FORD BLUE
CSPFINJDG	16-268	NEW EQUIPMENT GREEN
CSPFINJDY	16-266	NEW EQUIPMENT YELLOW



SPECIALTY COATINGS

EPOXY

A specially formulated coating that dries to form a porcelain hard finish with exceptional durability. Resists most harsh cleaners and chemicals. High gloss finish that is resistant to chipping, cracking and peeling. Able to withstand heavy use which makes it ideal for use in kitchens, bathrooms, on machinery and floors.

Part #	Seymour Part #	Color
CSEAW	EP-502	APPLIANCE WHITE



HOT SPOT®

A special formulation that can withstand temperatures up to 1200°F on a continuous basis. A porcelain-like bond is formed at high temperatures. Resists blistering, peeling, discoloration, or loss of adhesion.

Part #	Seymour Part #	Color
CSPHSB	16-1203	HIGH HEAT BLACK



SPECIALTY COATINGS

RUST CONVERTER

Seymour Rust Converter can be applied to any iron or steel surface to penetrate rust and turn it into a protective black coating.

Part #	Seymour Part #	Color
CSPRC	16-45	BLACK



OE SHINY GALV-ZINC RICH

Seymour O.E. Shiny Galv contains 65% zinc. It is considered a sacrificial coating and meets ASTM A780 specifications.

Part #	Seymour Part #	Color
CSPSG	16-842	SHINY GALVANIZED



SEAL-IT

Seymour Seal-It is a multi-purpose sealant for small cracks and will not lose flexibility. It resists water, protects against UV sunlight, and will not crack in cold weather. It is ideal for small cracks on roofs, around windows, and doors and can be topcoated with oil and latex paints.

Part #	Seymour Part #	Color
CSPSI	20-148	BLACK



TOOL CRIB® CHEMICALS

Seymour Chain & Cable Lube is a lightweight black lubricant which penetrates deeply and prolongs the life of any size chain or wire by keeping it supple and preventing rust.

Part #	Seymour Part #	Product
CTCCL	620-1502	CHAIN & CABLE LUBE WITH MOLY



LUBRICANTS & CHEMICALS

Seymour Penetrating Lubricant is a lightweight penetrating fluid with penetrants, lubricants, and rust inhibitors. It leaves behind an anti-rust film for continued protection.

Part #	Seymour Part #	Product
CTCPL	620-1543	SUPER STRENGTH PENETRATING LUBRICANT



SECTION 4: TOOLS & ABRASIVES



NOTES

VIKING DRILL

Viking Drill offers America's finest high-speed steel cutting tools. They offer twist drills, annular cutters, carbide tipped hole cutters, taps & dies, hole enlarging tools, premium carbide burrs, and a number of other specialty cutting tools.

RUKO

Ruko manufactures and distributes high quality drilling and cutting tools. Their product offering includes: Drills, Countersinks, Thread Cutting Tools, Annular Cutters, Burrs, Hole Saws, Jig-Saw Blades, Reciprocating Blades, Deburring Tools, and Knockout-Punches.

TENRYU

Tenryu is globally known as a premier manufacturer of quality saw blades. They offer over 3,000 types of carbide blades for woodworking, metalworking, plastic cutting, and machining other composite materials.

DRILL BIT DECIMAL EQUIVALENT CHART

Drill Size	Decimal	Drill Size	Decimal	Drill Size	Decimal	Drill Size	Decimal
M0.1	0.0039	71	0.0260	53	0.0595	39	0.0995
97	0.0059	M0.7	0.0276	M1.55	0.0610	38	0.1015
96	0.0063	70	0.0280	1/16	0.0625	M2.6	0.1024
95	0.0067	69	0.0292	M1.6	0.0630	37	0.1040
94	0.0071	M0.75	0.0295	52	0.0635	M2.7	0.1063
93	0.0075	68	0.0310	M1.65	0.0650	36	0.1065
92	0.0079	1/32	0.0312	M1.7	0.0669	7/64	0.1094
M0.2	0.0079	M0.8	0.0315	51	0.0670	35	0.1100
91	0.0083	67	0.0320	M1.75	0.0689	M2.8	0.1102
90	0.0087	66	0.0330	50	0.0700	34	0.1110
89	0.0091	M0.85	0.0335	M1.8	0.0709	33	0.1130
88	0.0095	65	0.0350	M1.85	0.0728	M2.9	0.1142
87	0.0100	M0.9	0.0354	49	0.0730	32	0.1160
86	0.0105	64	0.0360	M1.9	0.0748	M3.0	0.1181
85	0.0110	63	0.0370	48	0.0760	31	0.1200
84	0.0115	M0.95	0.0374	M1.95	0.0768	M3.1	0.1220
M0.3	0.0118	62	0.0380	5/64	0.0781	1/8	0.1250
83	0.0120	61	0.0390	47	0.0785	M3.2	0.1260
82	0.0125	M1.0	0.0394	M2.0	0.0787	30	0.1285
81	0.0130	60	0.0400	M2.05	0.0807	M3.3	0.1299
80	0.0135	59	0.0410	46	0.0810	M3.4	0.1339
M0.35	0.0138	M1.05	0.0413	45	0.0820	29	0.1360
79	0.0145	58	0.0420	M2.1	0.0827	M3.5	0.1378
1/64	0.0156	57	0.0430	M2.15	0.0846	28	0.1405
M0.4	0.0157	M1.1	0.0433	44	0.0860	9/64	0.1406
78	0.0160	M1.15	0.0453	M2.2	0.0866	M3.6	0.1417
M0.45	0.0177	56	0.0465	M2.25	0.0886	27	0.1440
77	0.0180	3/64	0.0469	43	0.0890	M3.7	0.1457
M0.5	0.0197	M1.2	0.0472	M2.3	0.0906	26	0.1470
76	0.0200	M1.25	0.0492	M2.35	0.0925	25	0.1495
75	0.0210	M1.3	0.0512	42	0.0935	M3.8	0.1496
M0.55	0.0217	55	0.0520	3/32	0.0938	24	0.1520
74	0.0225	M1.35	0.0531	M2.4	0.0945	M3.9	0.1535
M0.6	0.0236	54	0.0550	41	0.0960	23	0.1540
73	0.0240	M1.4	0.0551	M2.45	0.0965	5/32	0.1562
72	0.0250	M1.45	0.0571	40	0.0980	22	0.1570
M0.65	0.0256	M1.5	0.0591	M2.5	0.0984	M4.0	0.1575

TOOLS & ABRASIVES

NOTES

DRILL BIT DECIMAL EQUIVALENT CHART

Drill Size	Decimal	Drill Size	Decimal	Drill Size	Decimal	Drill Size	Decimal
21	0.1590	D	0.2460	T	0.3580	5/8	0.6250
20	0.1610	M6.3	0.2480	M9.1	0.3583	M16.0	0.6299
M4.1	0.1614	1/4	0.2500	23/64	0.3594	41/64	0.6406
M4.2	0.1654	E	0.2500	M9.2	0.3622	M16.5	0.6496
19	0.1660	M6.4	0.2520	M9.3	0.3661	21/32	0.6562
M4.3	0.1693	M6.5	0.2559	U	0.3680	M17.0	0.6693
18	0.1695	F	0.2570	M9.4	0.3701	43/64	0.6719
11/64	0.1719	M6.6	0.2598	M9.5	0.3740	11/16	0.6875
17	0.1730	G	0.2610	3/8	0.3750	M17.5	0.6890
M4.4	0.1732	M6.7	0.2638	V	0.3770	45/64	0.7031
16	0.1770	17/64	0.2656	M9.6	0.3780	M18.0	0.7087
M4.5	0.1772	H	0.2660	M9.7	0.3819	23/32	0.7188
15	0.1800	M6.8	0.2677	M9.8	0.3858	M18.5	0.7283
M4.6	0.1811	M6.9	0.2717	W	0.3860	47/64	0.7344
14	0.1820	I	0.2720	M9.9	0.3898	M19.0	0.7480
13	0.1850	M7.0	0.2756	25/64	0.3906	3/4	0.7500
M4.7	0.1850	J	0.2770	M10.0	0.3937	49/64	0.7656
3/16	0.1875	M7.1	0.2950	X	0.3970	M19.5	0.7677
12	0.1890	K	0.2810	M10.2	0.4016	25/32	0.7812
M4.8	0.1890	9/32	0.2812	Y	0.4040	M20.0	0.7874
11	0.1910	M7.2	0.2835	M10.3	0.4055	51/64	0.7969
M4.9	0.1929	M7.3	0.2874	13/32	0.4062	M20.5	0.8071
10	0.1935	L	0.2900	Z	0.4130	13/16	0.8125
9	0.1960	M7.4	0.2913	M10.5	0.4134	M21.0	0.8268
M5.0	0.1969	M	0.2950	27/64	0.4219	53/64	0.8281
8	0.1990	M7.5	0.2953	M10.8	0.4252	27/32	0.8438
M5.1	0.2008	19/64	0.2969	M11.0	0.4331	M21.5	0.8465
7	0.2010	M7.6	0.2992	7/16	0.4375	55/64	0.8594
13/64	0.2031	N	0.3020	M11.2	0.4409	M22.0	0.8661
6	0.2040	M7.7	0.3031	M11.5	0.4528	7/8	0.8750
M5.2	0.2047	M7.8	0.3071	29/64	0.4531	M22.5	0.8858
5	0.2055	M7.9	0.3110	M11.8	0.4646	57/64	0.8906
M5.3	0.2087	5/16	0.3125	15/32	0.4688	M23.0	0.9055
4	0.2090	M8.0	0.3150	M12.0	0.4724	29/32	0.9062
M5.4	0.2126	O	0.3160	M12.2	0.4803	59/64	0.9219
3	0.2130	M8.1	0.3189	31/64	0.4844	M23.5	0.9252
M5.5	0.2165	M8.2	0.3228	M12.5	0.4921	15/16	0.9375
7/32	0.2188	P	0.3230	1/2	0.5000	M24.0	0.9449
M5.6	0.2205	M8.3	0.3268	M13.0	0.5118	61/64	0.9531
2	0.2210	21/64	0.3281	33/64	0.5156	M24.5	0.9646
M5.7	0.2244	M8.4	0.3307	17/32	0.5312	31/32	0.9688
1	0.2280	Q	0.3320	M13.5	0.5315	M25.0	0.9843
M5.8	0.2283	M8.5	0.3346	35/64	0.5469	63/64	0.9844
M5.9	0.2323	M8.6	0.3386	M14.0	0.5512	1	1.0000
A	0.2340	R	0.3390	9/16	0.5625		
15/64	0.2344	M8.7	0.3425	M14.5	0.5709		
M6.0	0.2362	11/32	0.3438	37/64	0.5781		
B	0.2380	M8.8	0.3465	M15.0	0.5906		
M6.1	0.2402	S	0.3480	19/32	0.5938		
C	0.2420	M8.9	0.3504	39/64	0.6094		
M6.2	0.2441	M9.0	0.3543	M15.5	0.6102		

NOTES

TAP DRILL CHART

Thread	Drill	Thread	Drill	Thread	Drill	Thread	Drill
0-80	3/64	M3.5-.6	M2.9	3/8-24	Q	3/4-10	21/32
M1.6-.35	M1.25	M4.0-.7	M3.3	M10-1.5	M8.5	3/4-16	11/16
1-64	54	8-32	29	M10-1.25	11/32	M20-2.5	M17.5
M1.8-.35	M1.45	8-36	29	7/16-14	U	M20-1.5	M18.5
1-72	53	M4.5-.75	26	7/16-20	25/64	7/8-9	49/64
M2.0-.4	M1.6	10-24	25	M12-1.75	Y	M22-2.5	M19.5
2-56	51	10-32	21	1/2-13	27/64	M22-1.5	M20.5
M2.2-.45	M1.75	M5.0-.8	M4.2	M12-1.25	M10.8	7/8-14	13/16
2-64	50	12-24	16	1/2-20	29/64	M24-3.0	M21
3-48	47	12-28	14	M14-2.0	M12.0	M24-2.0	M22
M2.5-.45	M2.05	M6-1.0	M5.0	9/16-12	31/64	1-8	7/8
3-56	45	1/4-20	7	M14-1.5	M12.5	1-12	59/64
4-40	43	1/4-28	3	9/16-18	33/64	1-14	15/16
4-48	42	M7-1.0	M6.0	M16-2.0	M14.0		
M3.0-.5	M2.5	5/16-18	F	5/8-11	17/32		
5-40	38	M8-1.25	H	M16-1.5	M14.5		
5-44	37	5/16-24	I	5/8-18	37/64		
6-32	36	M8-1.0	M7.0	M18-2.5	M15.5		
6-40	33	3/8-16	5/16	M18-1.5	M16.5		

PIPE THREAD CHART

1/16-27	D
1/8-27	11/32
1/4-18	7/16
3/8-18	37/64
1/2-14	23/32
3/4-14	59/64
1-11 1/2	1 5/32
1 1/4-11 1/2	1 1/2
1 1/2-11 1/2	1 47/64
2-11 1/2	2 7/32

Cutting tools are Viking brand unless otherwise noted.

JOBBER LENGTH DRILL BITS

TYPE 240-UB • ULTRA BOR SUPER PREMIUM • 135° SPLIT POINT



Type 240-UB Drill Bits are made of special Hi-Molybdenum tool steel. Body and clearance are gold surface treated for maximum lubricity. They are heat treated at 2185° F and then nitro-carburize finished at 950° F to be measurably harder than high-speed steel. The 135° split point gives fast penetration and accurate starting without the use of a center punch. They are recommended for use in work hardening grades of stainless steel and other hard metal drilling applications. Type 240-UB comes in jobber length with round shanks.

Fractional

Part #	Size	Overall Length	Flute Length	Pack Quantity
HKDBH04	1/16	1 7/8	7/8	12
HKDBH05	5/64	2	1	12
HKDBH06	3/32	2 1/4	1 1/4	12
HKDBH07	7/64	2 5/8	1 1/2	12
HKDBH08	1/8	2 3/4	1 5/8	12
HKDBH09	9/64	2 7/8	1 3/4	12
HKDBH10	5/32	3 1/8	2	12
HKDBH11	11/64	3 1/4	2 1/8	12
HKDBH12	3/16	3 1/2	2 5/16	12
HKDBH13	13/64	3 5/8	2 7/16	12
HKDBH14	7/32	3 3/4	2 1/2	12
HKDBH15	15/64	3 7/8	2 5/8	12
HKDBH16	1/4	4	2 3/4	12
HKDBH17	17/64	4 1/8	2 7/8	12
HKDBH18	9/32	4 1/4	2 15/16	12

Part #	Size	Overall Length	Flute Length	Pack Quantity
HKDBH19	19/64	4 3/8	3 1/16	6
HKDBH20	5/16	4 1/2	3 3/16	6
HKDBH21	21/64	4 5/8	3 5/16	6
HKDBH22	11/32	4 3/4	3 7/16	6
HKDBH23	23/64	4 7/8	3 1/2	6
HKDBH24	3/8	5	3 5/8	6
HKDBH25	25/64	5 1/8	3 3/4	6
HKDBH26	13/32	5 1/4	3 7/8	6
HKDBH27	27/64	5 3/8	3 15/16	6
HKDBH28	7/16	5 1/2	4 1/16	6
HKDBH29	29/64	5 5/8	4 3/16	6
HKDBH30	15/32	5 3/4	4 5/16	6
HKDBH31	31/64	5 7/8	4 3/8	6
HKDBH32	1/2	6	4 1/2	6

For drill bits larger than 1/2" see Type 280UB 1/2" shank drill bits.

Wire

Part #	Size	Overall Length	Flute Length	Pack Quantity
HKDBH#01	#1	3 7/8	2 5/8	12
HKDBH#02	#2	3 7/8	2 5/8	12
HKDBH#03	#3	3 3/4	2 1/2	12
HKDBH#04	#4	3 3/4	2 1/2	12
HKDBH#05	#5	3 3/4	2 1/2	12
HKDBH#06	#6	3 3/4	2 1/2	12
HKDBH#07	#7	3 5/8	2 7/16	12
HKDBH#08	#8	3 5/8	2 7/16	12
HKDBH#10	#10	3 5/8	2 7/16	12
HKDBH#11	#11	3 1/2	2 5/16	12
HKDBH#12	#12	3 1/2	2 5/16	12
HKDBH#13	#13	3 1/2	2 5/16	12
HKDBH#15	#15	3 3/8	2 3/16	12
HKDBH#18	#18	3 1/4	2 1/8	12
HKDBH#19	#19	3 1/4	2 1/8	12
HKDBH#20	#20	3 1/4	2 1/8	12
HKDBH#21	#21	3 1/4	2 1/8	12

Part #	Size	Overall Length	Flute Length	Pack Quantity
HKDBH#22	#22	3 1/8	2	12
HKDBH#23	#23	3 1/8	2	12
HKDBH#24	#24	3 1/8	2	12
HKDBH#25	#25	3	1 7/8	12
HKDBH#26	#26	3	1 7/8	12
HKDBH#27	#27	3	1 7/8	12
HKDBH#28	#28	2 7/8	1 3/4	12
HKDBH#29	#29	2 7/8	1 3/4	12
HKDBH#30	#30	2 3/4	1 5/8	12
HKDBH#31	#31	2 3/4	1 5/8	12
HKDBH#32	#32	2 3/4	1 5/8	12
HKDBH#33	#33	2 5/8	1 1/2	12
HKDBH#34	#34	2 5/8	1 1/2	12
HKDBH#35	#35	2 5/8	1 1/2	12
HKDBH#36	#36	2 1/2	1 7/16	12
HKDBH#37	#37	2 1/2	1 7/16	12
HKDBH#38	#38	2 1/2	1 7/16	12

JOBBER LENGTH DRILL BITS

TYPE 240-UB • ULTRA BOR SUPER PREMIUM • 135° SPLIT POINT

Wire

Part #	Size	Overall Length	Flute Length	Pack Quantity
HKDBH#39	#39	2 3/8	1 3/8	12
HKDBH#40	#40	2 3/8	1 3/8	12
HKDBH#41	#41	2 3/8	1 3/8	12
HKDBH#42	#42	2 1/4	1 1/4	12
HKDBH#43	#43	2 1/4	1 1/4	12
HKDBH#44	#44	2 1/8	1 1/8	12
HKDBH#45	#45	2 1/8	1 1/8	12
HKDBH#47	#47	2	1	12
HKDBH#49	#49	2	1	12
HKDBH#50	#50	2	1	12

Part #	Size	Overall Length	Flute Length	Pack Quantity
HKDBH#51	#51	2	1	12
HKDBH#52	#52	1 7/8	7/8	12
HKDBH#53	#53	1 7/8	7/8	12
HKDBH#54	#54	1 7/8	7/8	12
HKDBH#55	#55	1 7/8	7/8	12
HKDBH#56	#56	1 3/4	3/4	12
HKDBH#57	#57	1 3/4	3/4	12
HKDBH#58	#58	1 5/8	11/16	12
HKDBH#59	#59	1 5/8	11/16	12
HKDBH#60	#60	1 5/8	11/16	12

Letter

Part #	Size	Overall Length	Flute Length	Pack Quantity
HKDBHA	A	3 7/8	2 5/8	12
HKDBHB	B	4	2 3/4	12
HKDBHC	C	4	2 3/4	12
HKDBHD	D	4	2 3/4	12
HKDBHE	E	4	2 3/4	12
HKDBHF	F	4 1/8	2 7/8	12
HKDBHG	G	4 1/8	2 7/8	12
HKDBHH	H	4 1/8	2 7/8	12
HKDBHI	I	4 1/8	2 7/8	12
HKDBHJ	J	4 1/8	2 7/8	12
HKDBHK	K	4 1/4	2 15/16	12
HKDBHL	L	4 1/4	2 15/16	12
HKDBHM	M	4 3/8	3 1/16	6

Part #	Size	Overall Length	Flute Length	Pack Quantity
HKDBHN	N	4 3/8	3 1/16	6
HKDBHO	O	4 1/2	3 3/16	6
HKDBHP	P	4 5/8	3 5/16	6
HKDBHQ	Q	4 3/4	3 7/16	6
HKDBHR	R	4 3/4	3 7/16	6
HKDBHS	S	4 7/8	3 1/2	6
HKDBHT	T	4 7/8	3 1/2	6
HKDBHU	U	5	3 5/8	6
HKDBHV	V	5	3 5/8	6
HKDBHW	W	5 1/8	3 3/4	6
HKDBHX	X	5 1/8	3 3/4	6
HKDBHY	Y	5 1/4	3 7/8	6
HKDBHZ	Z	5 1/4	3 7/8	6

TYPE 240-UB SETS

Part #	# of Pieces	Description
HKDBS240UB15	15	1/16-1/2 BY 32NDS
HKDBS240UB	29	1/16-1/2 BY 64THS
HKDBS240UBU	29	1/16-1/2 BY 64THS IN AN ULTRA-DEX INDEX
HKDBS240UB26	26	A-Z*
HKDBS240UB60	60	#1-#60*
HKDBS240UB115	115	1/16-1/2 BY 64THS & A-Z & #1-#60*

*Sets marked with an asterisk are non-stock. They have a 4-5 day lead time.



JOBBER LENGTH DRILL BITS

TYPE 240 • HIGH SPEED STEEL • 118° POINT



Type 240 Drill Bits are high speed steel with a black surface treatment which prevents chip welding and increases abrasion resistance. They perform well in a wide variety of ferrous metal drilling applications and are also recommended for wood and plastics. Type 240 comes in jobber length with a round shank.

Fractional

Part #	Size	Overall Length	Flute Length	Pack Quantity
HKDB03	3/64	1 3/4	3/4	12
HKDB04	1/16	1 7/8	7/8	12
HKDB05	5/64	2	1	12
HKDB06	3/32	2 1/4	1 1/4	12
HKDB07	7/64	2 5/8	1 1/2	12
HKDB08	1/8	2 3/4	1 5/8	12
HKDB09	9/64	2 7/8	1 3/4	12
HKDB10	5/32	3 1/8	2	12
HKDB11	11/64	3 1/4	2 1/8	12
HKDB12	3/16	3 1/2	2 5/16	12
HKDB13	13/64	3 5/8	2 7/16	12
HKDB14	7/32	3 3/4	2 1/2	12
HKDB15	15/64	3 7/8	2 5/8	12
HKDB16	1/4	4	2 3/4	12
HKDB17	17/64	4 1/8	2 7/8	12

Part #	Size	Overall Length	Flute Length	Pack Quantity
HKDB18	9/32	4 1/4	2 15/16	12
HKDB19	19/64	4 3/8	3 1/16	6
HKDB20	5/16	4 1/2	3 3/16	6
HKDB21	21/64	4 5/8	3 5/16	6
HKDB22	11/32	4 3/4	3 7/16	6
HKDB23	23/64	4 7/8	3 1/2	6
HKDB24	3/8	5	3 5/8	6
HKDB25	25/64	5 1/8	3 3/4	6
HKDB26	13/32	5 1/4	3 7/8	6
HKDB27	27/64	5 3/8	3 15/16	6
HKDB28	7/16	5 1/2	4 1/16	6
HKDB29	29/64	5 5/8	4 3/16	6
HKDB30	15/32	5 3/4	4 5/16	6
HKDB31	31/64	5 7/8	4 3/8	6
HKDB32	1/2	6	4 1/2	6

Wire

Part #	Size	Overall Length	Flute Length	Pack Quantity
HKDB#04	#4	3 3/4	2 1/2	12
HKDB#09	#9	3 5/8	2 7/16	12
HKDB#12	#12	3 1/2	3 5/16	12
HKDB#14	#14	3 3/8	2 3/16	12
HKDB#16	#16	3 3/8	2 3/16	12
HKDB#17	#17	3 3/8	2 3/16	12
HKDB#26	#26	3	1 7/8	12
HKDB#27	#27	3	1 7/8	12
HKDB#33	#33	2 5/8	1 1/2	12

Part #	Size	Overall Length	Flute Length	Pack Quantity
HKDB#34	#34	2 5/8	1 1/2	12
HKDB#41	#41	2 3/8	1 3/8	12
HKDB#46	#46	2 1/8	1 1/8	12
HKDB#48	#48	2	1	12
HKDB#74	#74	1	1/4	12
HKDB#76	#76	7/8	3/16	12
HKDB#78	#78	7/8	3/16	12
HKDB#80	#80	3/4	1/8	12

Don't see the number size you need? Number size drill bits are available in 4-5 days down to size #97.

TYPE 240 SETS



Part #	# of Pieces	Description
HKDBS240	29	1/16-1/2 BY 64THS

TYPE 240-B • HIGH SPEED STEEL • 118° POINT



Type 240-B are high speed steel with a bright finish. They perform well in a wide variety of drilling applications.

Part #	Size	Overall Length	Flute Length	Pack Quantity
HKDBB12	3/16	3 1/2	2 5/16	12

JOBBER LENGTH DRILL BITS & REDUCED SHANK DRILL BITS

JOBBER LENGTH DRILL BITS

TYPE 240-D • M42 COBALT • 135° SPLIT POINT



Type 240-D Drill Bits are manufactured from M42 high speed steel with 8% cobalt. Body and clearance are gold surface treated for maximum lubricity. The cobalt steel has a high red hardness which allows speeds up to 30% higher than regular high speed steel drills. They are recommended for use in drilling hard tough metals, free machining stainless steel, high temperature alloys, titanium, and certain plastics. They require rigidly held positive feed drilling equipment. Type 240-D comes in jobber length with round shanks.

Fractional

Part #	Size	Overall Length	Flute Length	Pack Quantity
HKDBC04	1/16	1 7/8	7/8	12
HKDBC06	3/32	2 1/4	1 1/4	12
HKDBC07	7/64	2 5/8	1 1/2	12
HKDBC08	1/8	2 3/4	1 5/8	12
HKDBC12	3/16	3 1/2	2 5/16	12
HKDBC14	7/32	3 3/4	2 1/2	12

Part #	Size	Overall Length	Flute Length	Pack Quantity
HKDBC16	1/4	4	2 3/4	12
HKDBC18	9/32	4 1/4	2 15/16	12
HKDBC22	11/32	4 3/4	3 7/16	6
HKDBC26	13/32	5 1/4	3 7/8	6
HKDBC30	15/32	5 3/4	4 5/16	6
HKDBC32	1/2	6	4 1/2	6

Don't see the size you need? Non-stock sizes are available in 4-5 days.

REDUCED SHANK DRILL BITS

TYPE 278-UB • ULTRA BOR SUPER PREMIUM • 135° SPLIT POINT



Fractional

Part #	Size	Overall Length	Flute Length	Pack Quantity
HKDBHRS32	1/2	6	4 1/2	6

Type 278-UB Drill Bits are made of special Hi-Molybdenum tool steel. Body and clearance are gold surface treated for maximum lubricity. They are heat treated at 2185° F and then nitro-carburize finished at 950° F to be measurably harder than high-speed steel. The 135° split point gives fast penetration and accurate starting without the use of a center punch. They are recommended for use in work hardening grades of stainless steel and other hard metal drilling applications. Type 278-UB has a 3/8" reduced round shank.

TYPE 280-UB • ULTRA BOR SUPER PREMIUM • 135° SPLIT POINT



Type 280-UB Drill Bits are made of special Hi-Molybdenum tool steel. Body and clearance are gold surface treated for maximum lubricity. They are heat treated at 2185° F and then nitro-carburize finished at 950° F to be measurably harder than high-speed steel. The 135° split point gives fast penetration and accurate starting without the use of a center punch. They are recommended for use in work hardening grades of stainless steel and other hard metal drilling applications. Type 280-UB has a 1/2" reduced shank with 3 flats on the shank.

Fractional

Part #	Size	Overall Length	Flute Length	Pack Quantity
HKDBH33	33/64	6	3 1/8	1
HKDBH34	17/32	6	3 1/8	1
HKDBH35	35/64	6	3 1/8	1
HKDBH36	9/16	6	3 1/8	1
HKDBH37	37/64	6	3 1/8	1
HKDBH38	19/32	6	3 1/8	1
HKDBH39	39/64	6	3 1/8	1

Part #	Size	Overall Length	Flute Length	Pack Quantity
HKDBH40	5/8	6	3 1/8	1
HKDBH41	41/64	6	3 1/8	1
HKDBH42	21/32	6	3 1/8	1
HKDBH43	43/64	6	3 1/8	1
HKDBH44	11/16	6	3 1/8	1
HKDBH45	45/64	6	3 1/8	1
HKDBH46	23/32	6	3 1/8	1

REDUCED SHANK DRILL BITS

TYPE 280-UB • ULTRA BOR SUPER PREMIUM • 135° SPLIT POINT

Fractional

Part #	Size	Overall Length	Flute Length	Pack Quantity
HKDBH47	47/64	6	3 1/8	1
HKDBH48	3/4	6	3 1/8	1
HKDBH49	49/64	6	3 1/8	1
HKDBH50	25/32	6	3 1/8	1
HKDBH51	51/64	6	3 1/8	1
HKDBH52	13/16	6	3 1/8	1
HKDBH53	53/64	6	3 1/8	1
HKDBH54	27/32	6	3 1/8	1
HKDBH55	55/64	6	3 1/8	1
HKDBH56	7/8	6	3 1/8	1
HKDBH57	57/64	6	3 1/8	1
HKDBH58	29/32	6	3 1/8	1
HKDBH59	59/64	6	3 1/8	1
HKDBH60	15/16	6	3 1/8	1
HKDBH61	61/64	6	3 1/8	1

Part #	Size	Overall Length	Flute Length	Pack Quantity
HKDBH62	31/32	6	3 1/8	1
HKDBH63	63/64	6	3 1/8	1
HKDBH64	1	6	3 1/8	1
HKDBH66	1 1/32	6	3 1/8	1
HKDBH68	1 1/16	6	3 1/8	1
HKDBH70	1 3/32	6	3 1/8	1
HKDBH72	1 1/8	6	3 1/8	1
HKDBH74	1 5/32	6	3 1/8	1
HKDBH76	1 3/16	6	3 1/8	1
HKDBH80	1 1/4	6	3 1/8	1
HKDBH84	1 5/16	6	3 1/8	1
HKDBH88	1 3/8	6	3	1
HKDBH92	1 7/16	6	3	1
HKDBH96	1 1/2	6	3	1

TYPE 280-UB • SETS

Part #	# of Pieces	Description
HKDBS280UB4	4	9/16, 5/8, 3/4, 1
HKDBS280UB8	8	9/16-1 BY 1/16THS



TYPE 281-UB • ULTRA BOR SUPER PREMIUM • 135° SPLIT POINT



Type 281-UB Drill Bits are made of special Hi-Molybdenum tool steel. Body and clearance are gold surface treated for maximum lubricity. They are heat treated at 2185° F and then nitro-carburize finished at 950° F to be measurably harder than high-speed steel. The 135° split point gives fast penetration and accurate starting without the use of a center punch. They are recommended for use in work hardening grades of stainless steel and other hard metal drilling applications. Type 281-UB has a 3/4 reduced round shank.

Fractional

Part #	Size	Overall Length	Flute Length	Pack Quantity
HKDBH656	7/8	5 1/2	3 1/4	1
HKDBH664	1	5 1/2	3 1/4	1
HKDBH672	1 1/8	5 27/32	3 1/2	1
HKDBH688	1 3/8	5 29/32	3 1/2	1

MECHANICS LENGTH DRILL BITS

TYPE 250-UB • ULTRA BOR SUPER PREMIUM • 135° SPLIT POINT



Type 250-UB Drill Bits are made of special Hi-Molybdenum tool steel. Body and clearance are gold surface treated for maximum lubricity. They are heat treated at 2185° F and then nitro-carburize finished at 950° F to be measurably harder than high-speed steel. The 135° split point gives fast penetration and accurate starting without the use of a center punch. They are recommended for use in work hardening grades of stainless steel and other hard metal drilling applications. Type 250-UB comes in a mechanic length with 3 flats on the shank.

Fractional

Part #	Size	Overall Length	Flute Length	Pack Quantity
HKDBM04	1/16	1 7/8	7/8	12
HKDBM05	5/64	2	1	12
HKDBM06	3/32	2 1/4	1 1/4	12
HKDBM07	7/64	2 3/8	1 5/16	12
HKDBM08	1/8	2 1/2	1 7/16	12
HKDBM09	9/64	2 5/8	1 9/16	12
HKDBM10	5/32	2 3/4	1 11/16	12
HKDBM11	11/64	2 7/8	1 13/16	12
HKDBM12	3/16	3	1 7/8	12
HKDBM13	13/64	3 1/8	1 15/16	12
HKDBM14	7/32	3 1/4	2	12
HKDBM15	15/64	3 3/8	2 1/16	12
HKDBM16	1/4	3 1/2	2	12
HKDBM17	17/64	3 5/8	2 1/8	12
HKDBM18	9/32	3 3/4	2 1/4	12
HKDBM19	19/64	3 7/8	2 3/8	6
HKDBM20	5/16	4	2 1/2	6
HKDBM21	21/64	4 1/16	2 9/16	6
HKDBM22	11/32	4 1/8	2 5/8	6
HKDBM23	23/64	4 3/16	2 11/16	6
HKDBM24	3/8	4 1/4	2 11/16	6
HKDBM25	25/64	4 5/16	2 3/4	6
HKDBM26	13/32	4 3/8	2 13/16	6
HKDBM27	27/64	4 7/16	2 7/8	6
HKDBM28	7/16	4 1/2	2 15/16	6
HKDBM29	29/64	4 5/8	3	6
HKDBM30	15/32	4 3/4	3 1/8	6
HKDBM31	31/64	4 7/8	3 1/4	6
HKDBM32	1/2	5	3 3/8	6

TYPE 250-UB • SETS

Part #	# of Pieces	Description
HKDBS250UB15	15	1/16-1/2 BY 32NDS
HKDBS250UB	29	1/16-1/2 BY 64THS
HKDBS250UBU	29	1/16-1/2 BY 64THS IN AN ULTRA-DEX INDEX



SCREW MACHINE LENGTH DRILL BITS

TYPE 260-UB • ULTRA BOR SUPER PREMIUM • 135° SPLIT POINT



Type 260-UB Drill Bits are made of special Hi-Molybdenum tool steel. Body and clearance are gold surface treated for maximum lubricity. They are heat treated at 2185° F and then nitro-carburize finished at 950° F to be measurably harder than high-speed steel. The 135° split point gives fast penetration and accurate starting without the use of a center punch. They are recommended for use in work hardening grades of stainless steel and other hard metal drilling applications. Type 260-UB comes in a screw machine length with a round shank.

Fractional

Part #	Size	Overall Length	Flute Length	Pack Quantity
HKDBSH08	1/8	1 7/8	7/8	12
HKDBSH09	9/64	1 15/16	15/16	12
HKDBSH12	3/16	2 3/16	1 1/8	12
HKDBSH13	13/64	2 1/4	1 3/16	12
HKDBSH16	1/4	2 1/2	1 3/8	12
HKDBSH18	9/32	2 11/16	1 1/2	12
HKDBSH20	5/16	2 13/16	1 5/8	6

Wire

Part #	Size	Overall Length	Flute Length	Pack Quantity
HKDBSH#29	#29	1 15/16	15/16	12

TYPE 260 • HIGH SPEED STEEL • 118° POINT



Type 260 are high speed steel with a bright finish. The short length makes them especially rigid for greater drilling accuracy. They perform well in a wide variety of drilling applications.

Fractional

Part #	Size	Overall Length	Flute Length	Pack Quantity
HKDBS08	1/8	1 7/8	7/8	12
HKDBS09	9/64	1 15/16	15/16	12
HKDBS10	5/32	2 1/16	1	12
HKDBS12	3/16	2 3/16	1 1/8	12

Wire

Part #	Size	Overall Length	Flute Length	Pack Quantity
HKDBS#30	#30	1 15/16	15/16	12

Don't see the size you need? Non-stock sizes are available in 4-5 days.

EXTRA LENGTH DRILL BITS

TYPE XGT-UB • ULTRA BOR SUPER PREMIUM • 135° SPLIT POINT

Fractional

Part #	Size	Flute Length	Pack Quantity
HKDBH116	11/64 X 6	4	3
HKDBH136	13/64 X 6	4	3
HKDBH146	7/32 X 6	4	3
HKDBH166	1/4 X 6	4	3
HKDBH186	9/32 X 6	4	3
HKDBH206	5/16 X 6	4	3
HKDBH226	11/32 X 6	4	3
HKDBH089	1/8 X 9	6	3
HKDBH169	1/4 X 9	6	3
HKDBH189	9/32 X 9	6	3
HKDBH209	5/16 X 9	6	3
HKDBH229	11/32 X 9	6	3
HKDBH249	3/8 X 9	6	3



Type XGT-UB Drill Bits are made of special Hi-Molybdenum tool steel. Body and clearance are gold surface treated for maximum lubricity. They are heat treated at 2185° F and then nitro-carburize finished at 950° F to be measurably harder than high-speed steel. The 135° split point gives fast penetration and accurate starting without the use of a center punch. They are recommended for use in work hardening grades of stainless steel and other hard metal drilling applications. Gyroidal torsion flute and land construction yields exceptional performance in deep hole drilling applications. Type XGT-UB comes with a round shank.

TYPE 211 • AIRCRAFT TYPE B • HIGH SPEED STEEL • 135° SPLIT POINT

Fractional

Part #	Size	Flute Length	Pack Quantity
HKDB086	1/8 X 6	1 5/8	6
HKDB096	9/64 X 6	1 3/4	6
HKDB106	5/32 X 6	2	6
HKDB126	3/16 X 6	2 5/16	6
HKDB146	7/32 X 6	2 1/2	6
HKDB166	1/4 X 6	2 3/4	6
HKDB206	5/16 X 6	3 3/16	6
HKDB246	3/8 X 6	3 5/8	6



Type 211 are high speed steel drill bits. They have a black oxide surface treatment for increased lubricity and enhanced chip removal. They are used especially for drilling holes in hard to reach places.

TYPE 212 • WELDED CONSTRUCTION • HIGH SPEED STEEL • 135° SPLIT POINT

Fractional

Part #	Size	Flute Length	Pack Quantity
HKDB1612	1/4 X 12	2 3/4	1
HKDB2012	5/16 X 12	3 3/16	1
HKDB2412	3/8 X 12	3 5/8	1
HKDB3212	1/2 X 12	4 1/2	1

Type 212 are high speed steel drill bits. They have a black oxide surface treatment for increased lubricity and enhanced chip removal. They are used especially for drilling holes in hard to reach places.

TYPE 210 • TAPER LENGTH • HIGH SPEED STEEL • 118° POINT

Fractional

Part #	Size	Flute Length	Pack Quantity
HKDBT09	9/64 X 5 3/8	3	12
HKDBT12	3/16 X 5 3/4	3 3/8	12
HKDBT32	1/2 X 7 3/4	4 3/4	1

Type 210 are high speed steel drill bits. They have a bright finish. They are recommended for mild drilling applications where longer drill bits are required.

Wire

Part #	Size	Flute Length	Pack Quantity
HKDBT#25	#25 X 5 3/8	3	12

LEFT HAND DRILL BITS & BOLT EXTRACTORS

LEFT HAND DRILL BITS

TYPE 240-AL • ULTRA BOR SUPER PREMIUM • 135° SPLIT POINT



Type 240-AL Drill Bits are made of special Hi-Molybdenum tool steel. Body and clearance are gold surface treated for maximum lubricity. They are heat treated at 2185° F and then nitro-carburize finished at 950° F to be measurably harder than high-speed steel. The 135° split point gives fast penetration and accurate starting without the use of a center punch. They are ideal for removing broken studs. Type 240-AL comes in jobber length with a round shank.

Fractional

Part #	Size	Overall Length	Flute Length	Pack Quantity
HKDBHLH04	1/16	1 7/8	7/8	6
HKDBHLH05	5/64	2	1	6
HKDBHLH06	3/32	2 1/4	1 1/4	6
HKDBHLH07	7/64	2 5/8	1 1/2	6
HKDBHLH08	1/8	2 3/4	1 5/8	6
HKDBHLH09	9/64	2 7/8	1 3/4	6
HKDBHLH10	5/32	3 1/8	2	6
HKDBHLH11	11/64	3 1/4	2 1/8	6
HKDBHLH12	3/16	3 1/2	2 5/16	6
HKDBHLH13	13/64	3 5/8	2 7/16	6
HKDBHLH14	7/32	3 3/4	2 1/2	6
HKDBHLH15	15/64	3 7/8	2 5/8	6

Part #	Size	Overall Length	Flute Length	Pack Quantity
HKDBHLH16	1/4	4	2 3/4	6
HKDBHLH18	9/32	4 1/4	2 15/16	6
HKDBHLH19	19/64	4 3/8	3 1/16	3
HKDBHLH20	5/16	4 1/2	3 3/16	3
HKDBHLH22	11/32	4 3/4	3 1/2	3
HKDBHLH23	23/64	4 7/8	3 1/2	3
HKDBHLH24	3/8	5	3 5/8	3
HKDBHLH26	13/32	5 1/4	3 7/8	3
HKDBHLH27	27/64	5 3/8	3 15/16	3
HKDBHLH28	7/16	5 1/2	4 1/16	3
HKDBHLH30	15/32	5 3/4	4 5/16	3
HKDBHLH32	1/2	6	4 1/2	3

TOOLS & ABRASIVES

BOLT EXTRACTORS

TYPE 420 • HI-CARBON STEEL • SPIRAL STYLE



Type 420 Screw & Pipe Extractors Spiral Style remove broken screws, bolts, studs, and pipes without damage to threads.

Part #	Extractor #	To Remove Screw Dia.	Point Diameter	Shank Size	Drill Size	Pack Quantity
HKBES2	EX-2	5/32 TO 7/32	.080	3/16	7/64	5
HKBES3	EX-3	7/32 TO 9/32	1/8	1/4	5/32	5
HKBES4	EX-4	9/32 TO 3/8 & 1/8 PIPE	3/16	5/16	1/4	5
HKBES5	EX-5	3/8 TO 5/8 & 1/4 PIPE	1/4	7/16	17/64	5

TYPE 421-UB • FORGED HI-CARBON STEEL SUPER PREMIUM • SQUARE STYLE



Type 421-UB Studout™ Screw & Pipe Extractors Square Style remove broken screws, bolts, studs, and pipes with minimal deformation of the broken part. The square style also will not chew up or expand the object being removed.

Part #	Extractor #	To Remove Screw Dia.	Point Diameter	Shank Size	Drill Size	Pack Quantity
HKBESQ2	E-2	9/32-11/32	11/64	1/4	3/16	5
HKBESQ3	E-3	11/32-1/2	7/32	5/16	1/4	5

To remove the broken threaded part: Drill a hole in the end of the broken part (left hand drills are recommended), then turn counterclockwise using a wrench on the exposed end of the extractor.

QUICK RELEASE DRILL BITS & MASONRY DRILL BITS

QUICK RELEASE DRILL BITS

TYPE QR-UB • ULTRA BOR SUPER PREMIUM • 135° SPLIT POINT



Type QR-UB Drill Bits are made of special Hi-Molybdenum tool steel. Body and clearance are gold surface treated for maximum lubricity. They are heat treated at 2185° F and then nitro-carburize finished at 950° F to be measurably harder than high-speed steel. The 135° split point gives fast penetration and accurate starting without the use of a center punch. The 1/4" quick release hex shank suits them especially for hand held drills and impact tools. Type QR-UB are mechanics length.

Fractional

Part #	Size	Overall Length	Flute Length	Pack Quantity
HKDBQR16	1/4	4	2	6
HKDBQR20	5/16	4	2 1/2	3
HKDBQR24	3/8	4 1/4	2 11/16	3

Don't see the size you need? Non-stock sizes are available in 4-5 days.

MASONRY DRILL BITS

TAPCON™ STYLE

Fractional

Part #	Size	Pack Quantity
HKDBM1036	5/32 X 4 1/2	1
HKDBM1044	5/32 X 5 1/2	1
HKDBM1236	3/16 X 4 1/2	1



Tapcon™ Style Drill Bits are constructed of hardened alloy steel with a close tolerance carbide tip. They are designed especially for drilling holes for masonry anchor screws with self tapping threads.

TYPE 390 • ROTARY STYLE • CARBIDE TIPPED

Fractional

Part #	Size	Pack Quantity
HKDBM1232	3/16 X 4	12
HKDBM1248	3/16 X 6	12
HKDBM1648	1/4 X 6	12
HKDBM2048	5/16 X 6	6
HKDBM2448	3/8 X 6	6
HKDBM2848	7/16 X 6	6
HKDBM3248	1/2 X 6	6



Type 390 Masonry Drill Bits are made with hardened steel bodies and are bright finished. They don't require any special equipment. Use them in any electric drill. They will drill through brick, tile, concrete, and marble.

SDS SHANK IMPACT HAMMER

Fractional

Part #	Size	Pack Quantity
HKDBMSDS126	3/16 X 6 1/4	1
HKDBMSDS128	3/16 X 8 1/4	1
HKDBMSDS169	1/4 X 9	1
HKDBMSDS2410	3/8 X 10	1
HKDBMSDS2412	3/8 X 12	1
HKDBMSDS3210	1/2 X 10 1/4	1
HKDBMSDS3212	1/2 X 12 1/4	1
HKDBMSDS4012	5/8 X 12	1
HKDBMSDS488	3/4 X 8	1
HKDBMSDS4812	3/4 X 12	1



Impact Hammer Drills with an SDS Shank fit all rotary hammer drills that specify an SDS shank. The positive drive slots deliver maximum torque and hammering energy for faster drilling. They perform excellently over a wide variety of masonry applications.

TAPER SHANK AND HARD STEEL DRILL BITS & METRIC DRILL BITS

TAPER SHANK DRILL BITS

TYPE 510 • HIGH SPEED STEEL • 118° POINT

Fractional

Part #	Size	Overall Length	Flute Length	Taper Size
HKDBTS44	11/16	9 1/4	5 3/8	2
HKDBTS46	23/32	9 1/2	5 5/8	2



Taper Shank Drill Bits are high speed steel drill bits. They are designed to fit tapered holders. The clearance and flutes are black oxide surface treated. They are designed to perform well in a wide range of materials.

HARD STEEL DRILL BITS

TYPE 602 • STRAIGHT FLUTE • CARBIDE TIPPED

Fractional

Part #	Size	Overall Length	Pack Quantity
HKDBHS082.75	1/8	2 3/4	1
HKDBHS123	3/16	3	1
HKDBHS166	1/4	6	1
HKDBHS206	5/16	6	1
HKDBHS246	3/8	6	1
HKDBHS326	1/2	6	1



Type 602 Hard Steel Drill Bits are made for use in drilling hardened steel in the range of 48 to 65 Rockwell C. They are used for drilling broken studs, springs, bolts, die sections, broken easy outs, extra tough or exotic metals, and brake drums.

METRIC DRILL BITS

TYPE 643-UB • ULTRA BOR SUPER PREMIUM • 135° SPLIT POINT

Metric

Part #	Size	Overall Length	Flute Length	Pack Quantity
HKMDBH03	M3	2 3/4 (70MM)	1 5/8 (41MM)	10
HKMDBH04	M4	3 1/4 (83MM)	2 1/8 (54MM)	10
HKMDBH045	M4.5	3 3/8 (86MM)	2 13/64 (56MM)	10
HKMDBH05	M5	3 5/8 (92MM)	2 7/16 (62MM)	10
HKMDBH06	M6	4 (102MM)	2 3/4 (70MM)	10
HKMDBH067	M6.7	4 1/8 (105MM)	2 7/8 (73MM)	10
HKMDBH08	M8	4 1/2 (114MM)	3 3/16 (81MM)	5
HKMDBH085	M8.5	4 3/4 (121MM)	3 27/64 (87MM)	5
HKMDBH09	M9	4 7/8 (124MM)	3 1/2 (89MM)	5
HKMDBH10	M10	5 1/8 (130MM)	3 3/4 (95MM)	5



Type 643-UB Drill Bits are made of special Hi-Molybdenum tool steel. Body and clearance are gold surface treated for maximum lubricity. They are heat treated at 2185° F and then nitro-carburize finished at 950° F to be measurably harder than high-speed steel. The 135° split point gives fast penetration and accurate starting without the use of a center punch. They are recommended for use in work hardening grades of stainless steel and other hard metal drilling applications. Type 643-UB comes in jobber length with round shanks.

STEP DRILL BITS & COUNTERSINK/DRILL COMBOS

STEP DRILL BITS

TYPE 78-UB • ULTRA BOR SUPER PREMIUM • 135° SPLIT POINT



Type 78-UB Drill Bits are made of special Hi-Molybdenum tool steel. Body and clearance are gold surface treated for maximum lubricity. They are heat treated at 2185° F and then nitro-carburize finished at 950° F to be measurably harder than high-speed steel. The 135° split point gives fast penetration and accurate starting without the use of a center punch. Type 78-UB comes with 3 flats on the shank.

Part #	Size	Shank Size	Step Increments	Step Thickness
HKSD1232	3/16-1/2	1/4	1/16	3/8
HKSD0832	1/8-1/2	1/4	1/32	1/8

*This size does not have a drill point.

HIGH SPEED STEEL • 118° POINT



These High Speed Steel Step Drills are Ruko Brand. They come with a bright finish and are made in Germany.

Part #	Size	Shank Size	Step Increments	Step Thickness
HKSD1648	1/4-3/4	3/8	1/16	5/32
HKSD1256	3/16-7/8	3/8	1/16	5/32
HKSD2664	5/16-1*	3/8	1/16	5/32
HKSD5688	7/8-1 3/8	3/8	-	-

*Steps for this size are 5/16, 13/32 & 9/16 to 1 by 1/16.

COUNTERSINK/DRILL COMBOS

TYPE 296 • HIGH SPEED STEEL • 118° POINT



Type 296 Countersink/Drill Combos provide an easy way to drill your hole and countersink it in thin materials.

Part #	Size	Body Diameter	Drill Dia. & Length	Overall Length	Pack Quantity
HKCS3	3	1/4	7/64 X 7/64	2	12
HKCS4	4	5/16	1/8 X 1/8	2 1/8	6
HKCS5	5	7/16	3/16 X 3/16	2 3/4	6

Don't see the size you need? Non-stock sizes are available in 4-5 days.

DRILL BIT CABINET & TAPS

DRILL BIT CABINET

Drill Bit Cabinets are an all-steel, sturdy construction cabinet. All compartments are permanently marked with size for easy identification.

Part #	Size
EQDBRK	CABINET FOR FRACTIONAL SIZES 1/16-1/2 BY 64THS

Drill bit cabinets are also available for wire sizes, letter sizes, metric sizes, larger sizes, and taps. Lead time is 4-5 days.



TAPS

TYPE 20-UB • ULTRA BOR SUPER PREMIUM • SPIRAL POINT • PLUG STYLE



Coarse Thread

Part #	Thread	Drill Size	Flutes	Pack Quantity
HKT004	4-40	#43	2	3
HKT005	5-40	#38	2	3
HKT006	6-32	#36	2	3
HKT008	8-32	#29	2	3
HKT12	10-24	#25	2	3
HKT012	12-24	#16	2	3
HKT16	1/4-20	#7	2	3
HKT20	5/16-18	F	2	3
HKT24	3/8-16	5/16	3	3
HKT28	7/16-14	U	3	3
HKT32	1/2-13	27/64	3	3
HKT40	5/8-11	17/32	3	1
HKT48	3/4-10	21/32	3	1
HKT56	7/8-9	49/64	3	1

Type 20-UB Taps are manufactured from special Hi-Tungsten and Hi-Molybdenum tool steels, gold surface treated for maximum lubricity. Spiral point construction drives the chips ahead of the tap, permitting higher speeds with less torque. They are recommended for hard steel, aluminum, magnesium, and malleable cast iron and are ideal for production tapping of through holes.

Fine Thread

Part #	Thread	Drill Size	Flutes	Pack Quantity
HKTF010	10-32	#21	2	3
HKTF16	1/4-28	#3	2	3
HKTF20	5/16-24	I	2	3
HKTF24	3/8-24	Q	3	3
HKTF28	7/16-20	25/64	3	3
HKTF32	1/2-20	29/64	3	3

TYPE 20 • GENERAL PURPOSE • SPIRAL POINT • PLUG STYLE



Coarse Thread

Part #	Thread	Drill Size	Flutes	Pack Quantity
HKT20008	8-32	#29	2	3

Type 20 Taps are high speed steel taps with a bright polished finish. Spiral point construction drives the chips ahead of the tap, permitting higher speeds with less torque. They are recommended for higher tensile strength production tapping applications and are ideal for production tapping of through holes.

TAPS

TYPE 25-UB • ULTRA BOR SUPER PREMIUM • BOTTOMING STYLE



Type 25-UB Taps are manufactured from special Hi-Tungsten and Hi-Molybdenum tool steels, gold surface treated for maximum lubricity. Bottoming style has only 1 1/2 threads chamfered. Use when tapping threads to the bottom of a hole.

Coarse Thread

Part #	Thread	Drill Size	Flutes	Pack Quantity
HKTB16	1/4-20	#7	4	3
HKTB20	5/16-18	F	4	3
HKTB24	3/8-16	5/16	4	3
HKTB28	7/16-14	U	4	3
HKTB32	1/2-13	27/64	4	3

Fine Thread

Part #	Thread	Drill Size	Flutes	Pack Quantity
HKTBF28	7/16-20	25/64	4	3

MACHINE TAPS

Coarse Thread

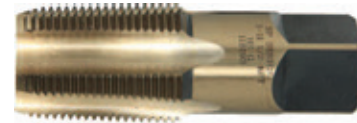
Part #	Thread	Drill Size	Flutes	Pack Quantity
TRT265516	5/16-18 X 3 1/2	F	3	1

These Machine Taps are Ruko brand. They are made of cobalt alloyed high speed steel with a bright finish. They are extra long for difficult to reach places.

TYPE 30-UB • TAPER PIPE • ULTRA BOR SUPER PREMIUM • PLUG STYLE

National Pipe Thread

Part #	Thread	Flutes	Pack Quantity
HKTPT2	1/8-27	4	3
HKTPT4	1/4-18	4	3
HKTPT8	1/2-14	4	1



Type 30-UB Taps are manufactured from special Hi-Tungsten and Hi-Molybdenum tool steels, threads black surface treated for wear resistance, body gold surface treated. Plug style has 3-5 threads chamfered.

DIE & TAP

Professional Quality Die Stock

Part #	For Die Size
HKDSP16	1" HEX OR 1" ROUND
HKDSP23	1 7/16" HEX OR 1 1/2" ROUND

Professional Quality Tap Wrench

Part #	For Tap Size
HKTRW048	#4 TO 1/2
HKTRW412	1/4-3/4 OR 3/8 NPT



TOOLS & ABRASIVES

DIES & METRIC TAPS

DIES

TYPE 27-UB • ULTRA BOR SUPER PREMIUM • HEX



Type 27-UB Dies are manufactured from Hi-Molybdenum tool steel. They have a polished gold finish on the body with black surface treated threads for long life. They are used for threading rods, bolts, studs, and other external threads. The hex configuration allows both wrench and die stock use in threading.

Coarse Thread

Part #	Thread	Across Flats	Pack Quantity
HKD006	6-32	1	3
HKD008	8-32	1	3
HKD12	10-24	1	3
HKD16	1/4-20	1	3
HKD20	5/16-18	1	3
HKD24	3/8-16	1	3
HKD28	7/16-14	1	3
HKD32	1/2-13	1	3
HKD40	5/8-11	1 7/16	1
HKD48	3/4-10	1 7/16	1

Fine Thread

Part #	Thread	Across Flats	Pack Quantity
HKDF12	10-32	1	3
HKDF16	1/4-28	1	3
HKDF20	5/16-24	1	3
HKDF24	3/8-24	1	3
HKDF28	7/16-20	1	3
HKDF32	1/2-20	1	3

METRIC TAPS

TYPE 21-UB • ULTRA BOR SUPER PREMIUM • SPIRAL POINT • PLUG STYLE

Coarse Thread

Part #	Thread	Drill Size	Flutes	Pack Quantity
HKMT04	M4-0.7	M3.3	2	3
HKMT05	M5-0.8	M4.2	2	3
HKMT06	M6-1.0	M5	2	3
HKMT07	M7-1.0	M6	2	3
HKMT08	M8-1.25	H	2	3
HKMT10	M10-1.5	M8.5	3	3
HKMT12	M12-1.75	Y	3	3
HKMT16	M16-2.0	M14	3	1



Type 21-UB Taps are manufactured from special Hi-Tungsten and Hi-Molybdenum tool steels, gold surface treated for maximum lubricity. Spiral point construction drives the chips ahead of the tap, permitting higher speeds with less torque. They are recommended for hard steel, aluminum, magnesium, and malleable cast iron and are ideal for production tapping of through holes.

TYPE 31-UB • ULTRA BOR SUPER PREMIUM • TAPER STYLE

Fine Thread

Part #	Thread	Drill Size	Flutes	Pack Quantity
HKMTFT10	M10-1.25	11/32	4	3



Type 31-UB Taps are manufactured from special Hi-Tungsten and Hi-Molybdenum tool steels, gold surface treated for maximum lubricity. Taper style taps have 8-10 chamfered threads and are ideal for starting threads square and in places where threads are tough to start.

METRIC TAPS, METRIC DIES & REAMERS

METRIC TAPS

TYPE 780 • HI-CARBON • PLUG STYLE



Type 780 Taps are manufactured from tough carbon steel. They are ideal where a low cost tap is desired.

Coarse Thread

Part #	Thread	Drill Size	Flutes	Pack Quantity
HKMTHC04	M4-0.7	M3.3	3	3

Extra Fine Thread

Part #	Thread	Drill Size	Flutes	Pack Quantity
HKMTEFHC10	M10-1.0	23/64	4	3

METRIC DIES

TYPE 27-UB • ULTRA BOR SUPER PREMIUM • HEX



Type 27-UB Dies are manufactured from Hi-Molybdenum tool steel. They have a polished gold finish on the body with black surface treated threads for long life. They are used for threading rods, bolts, studs, and other external threads. The hex configuration allows both wrench and die stock use in threading.

Coarse Thread

Part #	Thread	Across Flats	Pack Quantity
HKMD04	M4-0.7	1	3
HKMD05	M5-0.8	1	3
HKMD06	M6-1.0	1	3
HKMD08	M8-1.25	1	3

Don't see the size you need? Non-stock sizes are available in 4-5 days.

REAMERS

TYPE 50-UB • ULTRA BOR SUPER PREMIUM

Part #	Size	Min. Starting Hole Size	Overall Length	Shank Dia.
HKR24	3/8	5/16	4 5/8	3/8
HKR32	1/2	3/8	5 7/8	1/2
HKR36	9/16	7/16	5 7/8	1/2
HKR40	5/8	7/16	6 3/8	1/2
HKR48	3/4	1/2	6 3/8	1/2
HKR56	7/8	19/32	6 7/8	1/2
HKR64	1	7/8	6 7/8	1/2
HKR80	1 1/4	1	6 7/8	1/2



Type 50-UB Car Reamers are made of Hi-Tungsten tool steel. They have a gold surface treated body and clearance for maximum lubricity. They can only be used to enlarge existing holes. They have a left hand spiral with a right hand cut. The left hand spiral eliminates the tendency to hog into holes. They are especially designed for reaming structural steel plate in truck frames, rail cars, bridges, and structural steel assemblies.

REAMERS, HOLE HOGS™ & HOLE CUTTERS

REAMERS

TYPE 50-UB SETS

Part #	# of Pieces	Description
HKRS	4	3/8, 1/2, 5/8, 3/4



HOLE HOGS™

TYPE 284-UB • ULTRA BOR SUPER PREMIUM

Part #	Size	Min. Starting Hole Size	Overall Length	Flute Length
HKHH24	3/8	1/4	4 5/16	1 7/8
HKHH32	1/2	5/16	4 5/16	1 7/8
HKHH40	5/8	25/64	4 5/16	1 7/8
HKHH48	3/4	15/32	4 5/16	1 7/8



Type 284-UB Core Drills are made of Hi-Molybdenum tool steel. They have a gold surface treated body and clearance for maximum lubricity. They can only be used to enlarge existing holes. The 4 flute design eliminates the catching and hogging-in experienced with standard drills.

HOLE HOG™ SETS

Part #	# of Pieces	Description
HKHHS6S	6	3/8, 1/2, 5/8 CORE DRILL W/PILOT DRILLS



HOLE CUTTERS

TYPE CHD-UB • ULTRA BOR SUPER PREMIUM • CARBIDE TIPPED

Part #	Size	Shank Size
HKHCED14	7/8	3/8
HKHCED16	1	3/8
HKHCED17	1 1/16	3/8
HKHCED18	1 1/8	3/8
HKHCED20	1 1/4	3/8
HKHCED22	1 3/8	3/8
HKHCED24	1 1/2	3/8
HKHCED28	1 3/4	3/8
HKHCED32	2	3/8
HKHCED36	2 1/4	3/8
HKHCED40	2 1/2	3/8



Type CHD-UB Deep Hole Carbide Tipped Holecutters easily cut holes in pipe and steel plate up to 1" thick and easily produce overlapping and interrupted holes. They have a 3 flatted shank for keyless chucks. They produce holes 3 times faster than bi-metal hole saws.

Don't see the size you need? Non-stock sizes are available in 4-5 days.

ABRASIVES



Camel Grinding Wheels offers a complete line of premium abrasives.

CGW ABRASIVE BELTS



CGW Abrasive Belts are available in nearly any size and shape, in 12 to 1000 grit, in aluminum oxide, zirconia, ceramic, and silicone carbide materials, and with all types of backing.

TOOLS & ABRASIVES

Part #	Size	Material	Grit	Weight	Backing
TCBA.51360R145	1/2 X 13	ALUMINUM OXIDE	60	X	R145
TCBA.513320R145	1/2 X 13	ALUMINUM OXIDE	320		R145
TCBA142100A3	1 X 42	ALUMINUM OXIDE	100	X	R145
TCBA321120A3	3 X 21	ALUMINUM OXIDE	120	X	R145
TCBA32440A3X	3 X 24	ALUMINUM OXIDE	40	X	XA167
TCBA623280XW341	6 X 232	ALUMINUM OXIDE	80	X	XW341
TCBA6232120XW341	6 X 232	ALUMINUM OXIDE	120	X	XW341
TCBA920120K35F	9 X 20	ALUMINUM OXIDE	120	J	K35F
TCBA3760150PAOX	37 X 60	ALUMINUM OXIDE	150	X	PAOX
TCBA3760180PAOX	37 X 60	ALUMINUM OXIDE	180	X	PAOX
TCBA4375120XW341	43 X 75	ALUMINUM OXIDE	120	X	XW341
TCBZ.51850Z3	1/2 X 18	ZIRCONIA	50	X	R205
TCBZ2.56036R205	2 1/2 X 60	ZIRCONIA	36	X	R205
TCBZ2.56040R205	2 1/2 X 60	ZIRCONIA	40	X	R205
TCBZ2.56050R205	2 1/2 X 60	ZIRCONIA	50	X	R205
TCBZ42440PZ628	4 X 24	ZIRCONIA	40		PZ628
TCBZ46040R205	4 X 60	ZIRCONIA	40	X	R205
TCBZ64840Y	6 X 48	ZIRCONIA	40	X	R205
TCBZ64860Y	6 X 48	ZIRCONIA	60	X	R205
TCBC2.56036	2 1/2 X 60	CERAMIC	36	Y	PCERY

ABRASIVES

DIE GRINDER • CUT-OFF WHEELS • ALUMINUM OXIDE • MADE IN USA

Part #	Size (OD X Thickness X Arbor)	Spec	RPM	Box Qty
TCC35689	2 X 1/32 X 3/8	A60-R-BF	30000	50
TCC35501	3 X 1/32 X 3/8	A60-R-BF	23900	50
TCC35502	3 X 1/16 X 1/4	A36-R-BF	23900	50
TCC35503	3 X 1/16 X 3/8	A36-R-BF	23900	50



DIE GRINDER • CUT-OFF WHEELS • ZIRCONIA ALUMINUM OXIDE • MADE IN USA

ZA: Zirconia Aluminum Oxide – Metal, steel and stainless. Longer lasting life and easy cutting action.

Part #	Size (OD X Thickness X Arbor)	Spec	RPM	Box Qty
TCC36176	3 X 1/32 X 3/8	ZA60-T-BF	23900	50
TCC36173	3 X 1/16 X 1/4	ZA36-T-BF	23900	50
TCC36174	3 X 1/16 X 3/8	ZA36-T-BF	23900	50
TCC36180	4 X 1/32 X 3/8	ZA60-T-BF	19100	50
TCC36178	4 X 1/16 X 3/8	ZA36-T-BF	19100	50



Please Note: It is extremely important to use the cut-off wheel designed for your saw. Using the incorrect wheel can result in serious injury or death!

CHOP SAW • CUT-OFF WHEELS • ALUMINUM OXIDE

Aluminum Oxide – Metal & Steel. 14" available in single (SR) and double (DR) fiberglass reinforced. Fast Cut: Economical choice for metal, steel and general applications.

Part #	Size (OD X Thickness X Arbor)	Spec	Reinforced	RPM	Box Qty
TCC70113	14 X 3/32 X 1	A30-P-BF	SINGLE	4400	10
TCC35576	14 X 3/32 X 1	A36-P-BF	DOUBLE	4400	10



ABRASIVES

HIGH SPEED • CUT-OFF WHEELS

EB – Electronically Balanced. All 12-14" wheels are automatically balanced during manufacturing. All 12-14" wheels are guaranteed to be less than and 3.5 grams out of balance. CGW wheels are safer, cause less vibration and are more consistent. CGW uses heavy duty fiberglass reinforcement, so our 12-14" high speed wheels meet speed specifications for all machines on the market. Premium 14" A24R, A24T, AC & 16" wheels are triple reinforced to provide extra safety. 12 & 14" wheels can be used with both gas and electric high speed machines.



Aluminum Oxide Material for Cutting Metal Triple Reinforced

Part #	Size (OD X Thickness X Arbor)	Spec	Reinforced	RPM	Box Qty
TCC35599	14 X 5/32 X 20MM	A24-R-BF	TRIPLE	5500	10
TCC35600	14 X 5/32 X 1	A24-R-BF	TRIPLE	5500	10

Aluminum Oxide Silicone Carbide Mix for Cutting Ductile Iron Triple Reinforced

Part #	Size (OD X Thickness X Arbor)	Spec	Reinforced	RPM	Box Qty
TCC35602	14 X 5/32 X 1	AC24-R-BF	TRIPLE	5500	10

Silicone Carbide Material for Cutting Stone and Concrete Triple Reinforced

Part #	Size (OD X Thickness X Arbor)	Spec	Reinforced	RPM	Box Qty
TCC36117	14 X 5/32 X 1	C24-R-BF	TRIPLE	4400	10

METAL & STEEL • CUT-OFF WHEELS • TYPE 1

ZA60-TB-Flex: Flexible wheel design for fast cutting and easy work penetration.

ZA-36-T-Rigid: Thicker (.045), rigid wheel design for fast cutting and longer life.

A60-T: Maximum cutting speeds with minimal burrs. Provides excellent finish with reduced vibration.



Part #	Size (OD X Thickness X Arbor)	Spec	RPM	Box Qty
TCC45010	4-1/2 X .035 X 7/8	ZA60-TB-FLEX	13300	25
TCC45224	4-1/2 X .040 X 7/8	A60-T	13300	25
TCC35514	4-1/2 X .045 X 7/8	ZA36-T-RIGID	13300	25
TCC35517	6 X .045 X 7/8	ZA36-T-RIGID	10200	25
TCC45012	6 X .040 X 7/8	ZA60-TB-FLEX	10200	25
TCC35518	7 X 1/16 X 7/8	ZA36-T-RIGID	8500	25

ABRASIVES

STAINLESS STEEL • CUT-OFF WHEELS • TYPE 1

WA60-T: Higher percentage of patented, specially treated white aluminum oxide grain and premium fiberglass. Provides up to 10% more cuts better finish, reduces burning and produces fewer burrs.



Part #	Size (OD X Thickness X Arbor)	Spec	RPM	Box Qty
TCC45230	4-1/2 X .045 X 7/8	WA60-T	13300	25

METAL & STEEL • CUT-OFF WHEELS • TYPE 27

ZA60-S: Zirconia and Aluminum Oxide mixture. General purpose wheel. Zirconia grain allows for faster cutting and longer life. Excellent on Steel/Stainless.

A60-T: Maximum cutting speeds with minimal burrs. Provides excellent finish with reduced vibration.



Part #	Size (OD X Thickness X Arbor)	Spec	RPM	Box Qty
TCC45002	4-1/2 X .045 X 7/8	ZA60-S	13300	25
TCC45103	4-1/2 X .045 X 7/8	A60-T	13300	25
TCC45141	4-1/2 X .045 X 5/8-11	ZA60-S	13300	10

CUTTING & NOTCHING WHEELS • TYPE 27

ZA24T: Zirconia aluminum oxide grain mixture with T-grade bond. High performance design for fast cutting and longer life. Excellent cutting of ferrous metals and stainless steels.



Part #	Size (OD X Thickness X Arbor)	Spec	RPM	Box Qty
TCC45215	7 X 1/8 X 5/8-11	ZA24-T	8600	10

ABRASIVES

ECONOMY GRINDING WHEELS • TYPE 27

A24N Fast Cut: Aluminum Oxide Grain. Soft N-grade bond for fast stock removal. Excellent ratio of stock removal/wheel loss. Economical choice for metal and low-grade stainless.

A24R Fast Cut: Aluminum Oxide Grain. Economical choice for fast metal grinding. Premium Grain.



Part #	Size (OD X Thickness X Arbor)	Spec	RPM	Box Qty
TCG35622	4-1/2 X 1/4 X 7/8	A24N	13300	25
TCG70099	4-1/2 X 1/4 X 7/8	A30N	13300	25
TCG35642	7 X 1/4 X 7/8	A24N	8600	25
TCG36262	7 X 1/4 X 5/8-11	A24R	8600	10
TCG36264	9 X 1/4 X 5/8-11	A24R	6600	10

ULTRA GRINDING WHEELS • TYPE 27

ZA24T: Zirconia Aluminum Oxide Grain Zirconia grain is sharper, cuts faster, and lasts longer than aluminum oxide grain. T-grade bond for fast cutting and longer life. Recommended for steel, cast iron, and stainless steel.

A24R: Aluminum Oxide Grain #1 selling 1/4" Depressed Center Grinding Wheel. R-grade bond for longer life and excellent stock removal.



Part #	Size (OD X Thickness X Arbor)	Spec	RPM	Box Qty
TCG35620	4-1/2 X 1/4 X 7/8	A24R	13300	25
TCG35624	4-1/2 X 1/4 X 7/8	ZA24T	13300	25
TCG35625	4-1/2 X 1/4 X 5/8-11	ZA24T	13300	10
TCG35645	7 X 1/4 X 5/8-11	ZA24T	8600	10

PREMIUM GRINDING WHEELS • TYPE 27

The fastest CGW Metal Removal Wheel

High concentration of ceramic grain provides for very fast grinding and long life. Contains less than 0.1% of sulfur & chlorine and virtually no iron. Use on: stainless steel, mild steel, hard face, titanium, inconel, aluminum. AS (ceramic grain) and L (special grains).



Part #	Size (OD X Thickness X Arbor)	Spec	RPM	Box Qty
TCG49543	4-1/2 X 5/32 X 7/8	36 GRIT	13300	25
TCG49750	4-1/2 X 1/8 X 7/8	ASL-36P-BF	13300	25
TCG49751	4-1/2 X 1/8 X 5/8-11	ASL-36P-BF	13300	10

ABRASIVES

RED EZ STRIP WHEELS

Non woven wheels for cleaning welds and fast removal of rust, scaling, oxidation, paints, sealants, and other clogging materials. EZ strip wheels can be used on stainless steel, steel, aluminum, titanium, non-ferrous metals, fiber glass, stone and wood. Red EZ strip wheels are more rigid for faster working on angled and irregular surfaces.



Part #	Size (OD X Arbor)	RPM	Box Qty	Box Qty
TCE59204	4-1/2 X 7/8	11000	10	25
TCE59208	5 X 7/8	9800	10	25
TCE59206	7 X 7/8	7000	10	10

RED EZ STRIP WHEELS • ROLL ON

Part #	Size (OD X Thickness)	RPM	Box Qty
TCE59060	59060 2 X 1/2 RED ROLL ON EZ STRIP WHEELS	16000	10



ABRASIVES

PREMIUM Z3 • US MADE • FLAP DISCS

Fastest grain removal in the marketplace for carbon based steels (26% more than the competition) and second best after CGW Z-Stainless discs on stainless steels, while offering excellent life. Recommended for aggressive use and heavy duty applications. Active grinding agent provides cool cutting with light pressure. Special optimized resin bond offers maximum cutting capacity, strong edge stability and long life. Premium Zirconia Alumina grain with a poly/cotton heat treated backing. The poly/cotton combination provides low stretch and strength for the high Zirconia concentration that Z3[®] contains. XL provides more material and longer disc life.



Part #	Size (OD X Arbor)	Grit	Type	Thickness	RPM	Box Qty
TCF42301	4-1/2 X 7/8	36	27	REGULAR	13300	10
TCF42305	4-1/2 X 7/8	80	27	REGULAR	13300	10
TCF42306	4-1/2 X 7/8	120	27	REGULAR	13300	10
TCF42314	4-1/2 X 5/8-11	60	27	REGULAR	13300	10
TCF42315	4-1/2 X 5/8-11	80	27	REGULAR	13300	10
TCF42321	4-1/2 X 7/8	36	29	REGULAR	13300	10
TCF42322	4-1/2 X 7/8	40	29	REGULAR	13300	10
TCF42324	4-1/2 X 7/8	60	29	REGULAR	13300	10
TCF42325	4-1/2 X 7/8	80	29	REGULAR	13300	10
TCF42326	4-1/2 X 7/8	120	29	REGULAR	13300	10
TCF42731	7 X 5/8-11	36	29	REGULAR	8600	10
TCF42735	7 X 5/8-11	80	29	REGULAR	8600	10
TCF42341	4-1/2 X 7/8	36	27	XL	13300	10
TCF42342	4-1/2 X 7/8	40	27	XL	13300	10
TCF42345	4-1/2 X 7/8	80	27	XL	13300	10
TCF42352	4-1/2 X 5/8-11	40	27	XL	13300	10
TCF42542	5 X 7/8	40	27	XL	12200	10
TCF42364	4-1/2 X 7/8	60	29	XL	13300	10
TCF42365	4-1/2 X 7/8	80	29	XL	13300	10
TCF30002	2 X ROLL ON	40	27	REGULAR	24000	10
TCF30004	2 X ROLL ON	60	27	REGULAR	24000	10
TCF30012	3 X ROLL ON	40	27	REGULAR	24000	10
TCF30014	3 X ROLL ON	60	27	REGULAR	24000	10

TOOLS & ABRASIVES

ABRASIVES

PREMIUM • US MADE • Z3 TRIMMABLE • COMPACT FLAP DISCS

Time is Money. Trimming the backing allows for more of the disc to be used for fewer disc changes and better production rates. Easy Trimming. Simply angle the backing edge against a hard metal to expose more flap material. Easier Heavy Duty Jobs. Stiff backing construction paired with a compacted 4 degree flap angle make grinding easier, quieter and with less vibration.



Part #	Size (OD X Arbor)	Grit	Type	Thickness	RPM	Box Qty
TCF30144	4-1/2 X 5/8-11	60	27	REGULAR	13300	10

US MADE • Z-PC FLAP DISCS

Quality zirconia grain with a poly/cotton heat treated backing. The poly/cotton backing provides low stretch and strength. For steel and stainless steel.



Part #	Size (OD X Arbor)	Grit	Type	Thickness	RPM	Box Qty
TCF41702	4-1/2 X 7/8	40	27	REGULAR	13300	10
TCF41704	4-1/2 X 7/8	60	27	REGULAR	13300	10
TCF41724	4-1/2 X 7/8	60	29	REGULAR	13300	10
TCF41971	7 X 5/8-11	36	29	REGULAR	8600	10
TCF41972	7 X 5/8-11	40	29	REGULAR	8600	10

PREMIUM • US MADE • A3 W/CALCIUM STEARATE • FLAP DISCS

Premium Blue fired AO grain with a polyester heat treated backing. Made with non-loading, heavy white calcium coating. A3 Material with Calcium Stearate coating liquefies under heat keeping the material cooler and preventing loading with soft materials. Use of buffing compound will extend the life of the disc. Recommended use: 36 grit for rough grinding, heavy stock removal or weld removal. 60 grit for deburring, cleaning, finish preparation. Use on soft metals such as aluminum and blending stainless steel.



Part #	Size (OD X Arbor)	Grit	Type	Thickness	RPM	Box Qty
TCF43084	4-1/2 X 7/8	60	27	REGULAR	13300	10
TCF43184	5 X 7/8	60	29	REGULAR	12200	10
TCF43261	7 X 7/8	36	29	REGULAR	8600	10

ABRASIVES

ALUMINUM OXIDE • FIRM FLAP WHEELS

Firm, quality aluminum oxide coated abrasive material. The flaps, arranged like a fan around the shaft of the tool, provide for consistent cutting action, maximum performance and long life. Use on all ferrous and non-ferrous materials, stainless steel, iron, brass, aluminum, plastic, fiberglass, wood and glass. Excellent for working in small, difficult to reach places. CGW flap wheels have more flaps compared to leading flap wheel manufacturers.



Part #	Size (OD X Thickness X Shank)	Grit	RPM	Box Qty
TCFW37100	3/4 X 3/4 X 1/4	120	30000	10
TCFW37105	3/4 X 3/4 X 1/4	320	30000	10
TCFW39910	1 X 1 X 1/4	120	30000	10
TCFW39914	1 X 1 X 1/4	320	30000	10
TCFW39916	1-1/2 X 1/2 X 1/4	80	25000	10
TCFW39923	1 1/2 X 1 X 1/4	120	25000	10
TCFW41630	1 1/2 X 1 X 1/4	320	25000	10
TCFW39934	2 X 1 X 1/4	120	25000	10
TCFW39937	2 X 1 X 1/4	320	25000	10
TCFW39943	2 1/2 X 1 X 1/4	120	20000	10
TCFW41511	2 1/2 X 1 X 1/4	320	20000	10
TCFW41515	3 X 1 1/2 X 1/4	120	20000	10
TCFW41518	3 X 1 1/2 X 1/4	320	20000	10

ALUMINUM OXIDE • FLEX FLAP WHEELS

Premium quality AO flap wheel made with a flexible x-wt. cotton backing for faster cut rate vs. traditional AO flap wheels. Flexible, yet strong flaps for easy working on hard-to-reach places. Fast and cool cutting action. Use on ferrous and non-ferrous metals

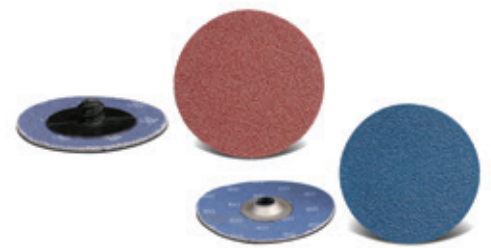


Part #	Size (OD X Thickness X Shank)	Grit	RPM	Box Qty
TCFW70212	5/8 X 5/8 X 1/4	80	30000	10
TCFW71000	3/4 X 3/4 X 1/4	60	30000	10
TCFW71001	3/4 X 3/4 X 1/4	80	30000	10
TCFW71002	3/4 X 3/4 X 1/4	120	30000	10
TCFW71034	1 X 1 X 1/4	60	30000	10
TCFW71035	1 X 1 X 1/4	80	30000	10
TCFW71036	1 X 1 X 1/4	120	30000	10
TCFW71040	1-1/2 X 1 X 1/4	40	25000	10
TCFW71042	1-1/2 X 1 X 1/4	80	25000	10
TCFW71090	2 X 1 X 1/4	80	25000	10
TCFW71115	2-1/2 X 1 X 1/4	80	25000	10
TCFW41515	3 X 1 1/2 X 1/4	120	20000	10
TCFW41518	3 X 1 1/2 X 1/4	320	20000	10

ABRASIVES

QUICK CHANGE DISCS

Part #	Size	Material	Grit	Style	Box Qty
TCQ59528	2	ALUMINUM OXIDE	50	ROLL ON	50
TCQ59635	2	ALUMINUM OXIDE	40	TURN ON	50
TCQ59637	2	ALUMINUM OXIDE	60	TURN ON	50
TCQ59638	2	ALUMINUM OXIDE	80	TURN ON	50
TCQ59591	2	ZIRCONIA	60	ROLL ON	50
TCQ59830	2	CERAMIC	36	ROLL ON	50



Strong 2-ply design for flat or contoured work.

ALUMINUM OXIDE • RESIN FIBRE DISCS

A premium quality AO disc designed for long life, high stock removal and cool cutting action on metal and welds. Sharp, heat-treated and blue fired AO grain electrostatically coated to a heavy duty vulcanized fibre backing with heat resistant phenolic resins. Fast, cool cutting performance.



Part #	Size (OD X Arbor)	Grit	Style	Box Qty
TCR48012	4-1/2 X 7/8	36	STANDARD	25

ZIRCONIA • RESIN FIBRE DISCS

High concentration of Zirconia and heat-treated Aluminum Oxide grain provides twice the cutting action of premium AO discs and is extremely heat resistant. The special fracturing characteristics of the Zirconia grain provide a consistent action throughout the disc's life. High performance on blending welds, stainless steel, inconel, titanium and tool steel.



Part #	Size (OD X Arbor)	Grit	Style	Box Qty
TCR48124	7 X 7/8	50	STANDARD	25

CERAMIC • RESIN FIBRE DISCS

Premium ceramic grain is extremely hard and self-sharpening during operation. Ceramic grain breaks down with less pressure than Zirconia discs without heat damage. Grinding aid keeps the disc cool while grinding hard materials and aluminum.



Part #	Size (OD X Arbor)	Grit	Style	Box Qty
TCR48204	7 X 7/8	50	STANDARD	25
TCR48205	7 X 7/8	60	STANDARD	25
TCR48882	4-1/2 X 7/8	36	QUICK LOCK	25

ZIRCONIA PREMIUM • RESIN FIBRE DISCS

Made with premium grains using **NEW** world class state-of-the-art electrostatic coating process. Heavy duty vulcanized fibre for extended disc life and over 30% less curling during storage (discs stay flatter).



Part #	Size (OD X Arbor)	Grit	Style	Box Qty
TCR49472	4 1/2 X 7/8	36	STANDARD	25
TCR49476	5 X 7/8	24	STANDARD	25
TCR49477	5 X 7/8	36	STANDARD	25
TCR49484	7 X 7/8	60	STANDARD	25

ABRASIVES

PREMIUM SURFACE CONDITIONING HAND PADS

Strong, yet flexible premium pad construction for surface preparation.

Part #	Color	Spec	Box Qty
TCSC36283	GREY	ULTRA FINE	20



INTERLEAF FLAP DISCS

Grind and finish with one disc – save time and money. Stainless steel finishing, light grinding, deburring. Alternating flaps of non-woven and coated abrasive materials provide uniform, consistent finishes with very little heat. Top size aluminum oxide poly cotton material for cool, yet fast cutting action for long life. European made non-woven material for non-smearing high grade finishes. Three grit levels of discs for a variety of work including stainless steel, aluminum, brass, steel sheet metal. Please operate at 3,000 RPM for optimal performance



Part #	Size (OD X Arbor)	Grit	Type	Box Qty
TCSC49686	4-1/2 X 7/8	COARSE/120	29	10
TCSC49687	4-1/2 X 7/8	MEDIUM/180	29	10

SURFACE CONDITIONING FLAP DISCS

Premium surface conditioning material for surface preparation. Three different grits for blending, deburring, and cleaning. For steel and stainless steel. Operate at 3,000 RPM for optimal performance.



Part #	Size (OD X Arbor)	Spec/Color	Type	Box Qty
TCSC70122	4-1/2 X 7/8	MEDIUM/MAROON	29	10

PREMIUM SURFACE CONDITIONING QUICK CHANGE DISCS

Part #	Size	Spec/Color	Style	Box Qty
TCSC59503	2	COARSE/BROWN	ROLL ON	50
TCSC59506	3	COARSE/BROWN	ROLL ON	25



HEAVY DUTY SURFACE CONDITIONING QUICK CHANGE DISCS

Part #	Size	Spec/Color	Style	Box Qty
TCSC59740	2	MEDIUM/MAROON	ROLL ON	50



TOOLS & ABRASIVES

ABRASIVES

FINISH PRO SURFACE CONDITIONING QUICK CHANGE DISCS

Part #	Size	Spec/Color	Style	Box Qty
TCSC59743	2	COARSE/BROWN	ROLL ON	50
TCSC59744	2	MEDIUM/MAROON	ROLL ON	50
TCSC59746	3	COARSE/BROWN	ROLL ON	25
TCSC59747	3	MEDIUM/MAROON	ROLL ON	25



GOLD • C WEIGHT • PAPER DISCS W/MYLAR

THE PASCO ADVANTAGE: Made with a strong .0005 Mylar film for superior edge tear resistance. The PASCO Advantage outperforms other “C” weight gold discs. Stearated paper with heat treated aluminum oxide grain and a full phenolic bond system provides uniform scratch pattern. Open coat disc delivers fast cut and exceptionally long life.



Part #	Size	Grit	Style	Box Qty
TCSD49762	5	80	ROLL	100
TCSD49767	5	220	ROLL	100
TCSD49777	6	80	ROLL	100
TCSD49781	6	180	ROLL	100
TCSD49782	6	220	ROLL	100
TCSD49792	5	80	W/TAB	100
TCSD50965	5	800	W/TAB	100
TCSD49816	6	400	W/TAB	100
TCSD50985	6	800	W/TAB	100
TCSD49855	5	150	W/TAB 8 VAC	100

WHITE GOLD • C WEIGHT • PAPER DISCS

Part #	Size	Grit	Style	Box Qty
TCSD50391	5	80	W/TAB	100
TCSD50392	5	100	W/TAB	100
TCSD50393	5	120	W/TAB	100
TCSD50394	5	150	W/TAB	100
TCSD50395	5	180	W/TAB	100
TCSD50396	5	220	W/TAB	100
TCSD50399	5	320	W/TAB	100
TCSD50400	5	400	W/TAB	100

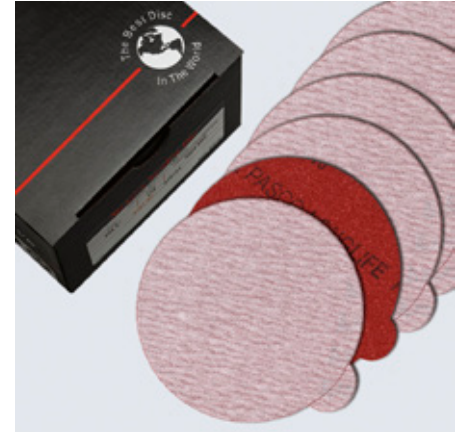


ABRASIVES

LONG LIFE • FILM BACKED DISCS

Heat treated aluminum oxide grain on a strong .003" Mylar backing with full phenolic resin bond for better grain adhesion and longer life. Outperforms paper discs by up to 300%! Non-loading zinc stearate treatment. Strong yet pliable film for a superior finish.

Part #	Size	Grit	Style	Box Qty
TCSD52405	5	80	W/TAB	100
TCSD52408	5	150	W/TAB	100
TCSD52410	5	220	W/TAB	100
TCSD52413	5	400	W/TAB	100
TCSD52200	5	800	W/TAB	100
TCSD52416	6	60	W/TAB	50



J WEIGHT • CLOTH BACKED DISCS

Tough, durable "J" wgt. 65/35% polyester/cotton cloth is an outstanding product for the right applications and is worth the higher cost of cloth disc compared to paper. Applications: wood sanding, mold sanding, contour sanding, breaking edges.

Part #	Size	Grit	Style	Box Qty
TCSD51658	5	80	W/TAB	50



X WEIGHT • CLOTH BACKED DISCS

X-weight resin bond cloth disc for general purpose work.

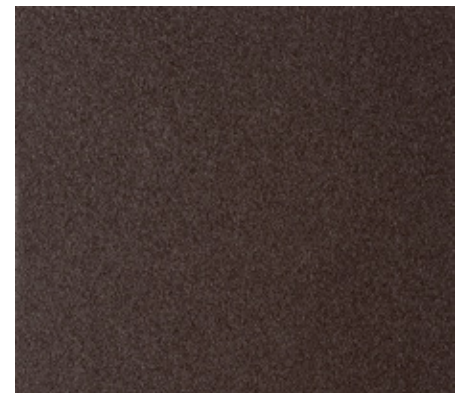
Part #	Size	Grit	Box Qty	Box Qty
TCSD52640	5	80	50	50
TCSD52687	12	150	25	



J WEIGHT • CLOTH BACKED • SANDING SHEETS

Used extensively for metal working and maintenance departments.

Part #	Size	Grit	Pkg Qty	Box Qty
TCSP44917	9 X 11	400	50	50



ABRASIVES

PREMIUM • ALUMINUM OXIDE • SHOP ROLLS

Premium shop roll backing is more flexible for longer working life. High quality friable grain. Material is easily torn to the length and/or shape needed. For multiple types of work including cleaning, deburring and polishing.



Part #	Size	Grit	Style	Box Qty
TCSR63062	1" X 50 YD	60	ROLL	100
TCSR63063	1" X 50 YD	80	ROLL	100
TCSR63064	1" X 50 YD	100	ROLL	100
TCSR63065	1" X 50 YD	120	ROLL	100
TCSR63066	1" X 50 YD	150	ROLL	100
TCSR63067	1" X 50 YD	180	W/TAB	100
TCSR63068	1" X 50 YD	220	W/TAB	100
TCSR63070	1" X 50 YD	320	W/TAB	100
TCSR63071	1" X 50 YD	400	W/TAB	100

Part #	Size	Grit	Style	Box Qty
TCSR63073	1 1/2" X 50 YD	80	W/TAB 8 VAC	100
TCSR63075	1 1/2" X 50 YD	120		
TCSR63077	1-1/2" X 50 YD	180		
TCSR63079	1-1/2" X 50 YD	240		
TCSR63080	1-1/2" X 50 YD	320		
TCSR63098	2" X 50 YD	40		
TCSR63083	2" X 50 YD	80		
TCSR63085	2" X 50 YD	120		
TCSR63087	2" X 50 YD	180		

MADE IN USA • END BRUSHES

Part #	Spec	Wire Size	Shank	RPM	Box Qty
TCW60131	1 KNOTTED END BRUSH CARBON	0.020	1/4	22000	12
TCW60140	3/4 CRIMPED END BRUSH CARBON	0.014	1/4	22000	12



MADE IN USA • WHEEL BRUSHES

Part #	Spec	Wire Size	Shank	RPM	Box Qty
TCW60160	1-1/2 CRIMPED RADIAL CONCAVE CARBON	.012	1/4	20000	10
TCW60161	2-1/2 CRIMPED RADIAL CONCAVE CARBON	.014	1/4	20000	10
TCW60162	3 CRIMPED RADIAL CONCAVE CARBON	.014	1/4	20000	10
TCW60170	2 CRIMPED CARBON	.014	1/4	25000	10
TCW60171	3 CRIMPED CARBON	.014	1/4	25000	10
TCW60172	3 CRIMPED STAINLESS	.014	1/4	25000	10



ABRASIVES

STAINLESS STEEL SCRATCH BRUSHES

Part #	Spec	Material	Box Qty
TCSB60202	3 X 19	STAINLESS STEEL	12
TCSB60211	3 X 7	STAINLESS STEEL	36



ECONOMY WHEEL BRUSHES

Part #	Spec	Wire Size	Arbor	RPM	Box Qty
TCW60523	6 KNOTTED STRINGER BEAD CARBON	.020	5/8-11	12000	5



ECONOMY CUP BRUSHES

Part #	Spec	Wire Size	Arbor	RPM	Box Qty
TCW60535	2-3/4 KNOTTED CARBON	.014	5/8-11	12500	5



ECONOMY END BRUSHES

Part #	Spec	Wire Size	Shank	RPM	Box Qty
TCW60580	1" KNOTTED CARBON	.020	1/4	20000	5



TENRYU SAW BLADES

STEEL-PRO® SERIES



Steel Pro® Saw Blades cut ferrous metals more quickly, cleanly, and easily. The tips are made of specially formulated C-6 grade carbide. They make fast, clean, and cool cuts that leave the work piece edge free of burrs. They outlast abrasive discs by up to 30 times, cut up to 10 times faster, eliminate dust, and reduce sparks.

Part #	Tenryu Part #	Size
TTSP0725	PRF-18538BW	7¼" 38 TOOTH 5/8 KO ARBOR
TTSP072520	PRF-18538BW2	7¼" 38 TOOTH 20MM ARBOR
TTSP14	PRF-35572D	14" 72 TOOTH 1" ARBOR

STEEL-PRO® STABILIZER SERIES



Steel Pro® Stabilizer Saw Blades provide all the benefits of standard Steel Pro® blades while also eliminating the need for blade plate stabilizers. They cut straighter, have a longer cutting life, and reduce the scattering of steel debris.

Part #	Tenryu Part #	Size
TTS0725	PRF-18536BWK	7¼" 36 TOOTH 5/8 ARBOR
TTS072520	PRF-18536BWK2	7¼" 36 TOOTH 20MM ARBOR
TTS08	PRF-20348BWK	8" 48 TOOTH 5/8 KO ARBOR
TTS14	PRF-35572DK	14" 72 TOOTH 1" ARBOR

HEAVY METAL SERIES



Heavy Metal Saw Blades are for ferrous metal. They provide affordability, quick cutting, and long cut life.

Part #	Tenryu Part #	Size
TTHM12	HM-30554DX	12" 54 TOOTH 1" ARBOR
TTHM14	PRF-35566DX	14" 66 TOOTH 1" ARBOR

ALUMI-CUT SERIES



Alumi-Cut Saw Blades are for cutting non-ferrous materials. They provide excellent results in aluminum, copper, brass, and bronze. The bodies are fully hardened, expertly tensioned, tool steel for true and accurate cuts.

Part #	Tenryu Part #	Size
TTA725	AC-18560D	7¼" 60 TOOTH 5/8 KO ARBOR
TTA85	AC-21660DN	8½" 60 TOOTH 5/8 KO ARBOR
TTA10	AC-25580DN	10" 80 TOOTH 5/8 ARBOR
TTA1280	AC-30580DN	12" 80 TOOTH 1" ARBOR
TTA12	AC-305100DN	12" 100 TOOTH 1" ARBOR
TTA14	AC355100DN	14" 100 TOOTH 1" ARBOR

TENRYU SAW BLADES & HOLE SAWS

TENRYU SAW BLADES

CORD-FREE SERIES



Cord-Free Saw Blades for Wood feature ultra-thin, perfectly tensioned steel plates for true run and to save battery power. The teeth are precision honed, high grade carbide for easy, smooth cuts and long life.

Part #	Tenryu Part #	Size
TTCFW06524	CF-16524W	6 1/2" 24 TOOTH 5/8 KO ARBOR
TTCFW06540	CF-16540W	6 1/2" 40 TOOTH 5/8 KO ARBOR

POWER TOOL SERIES



Power Tool Saw Blades for Miter Saws are wood cutting blades which feature a thin kerf design which is easier on miter saw motors and brakes. They have fully hardened, expertly tensioned tool steel bodies and fine grain tungsten carbide tips with fine honing for keen edges.

Part #	Tenryu Part #	Size
TTPT012	PT-30580	12" 80 TOOTH 1" ARBOR

Don't see the saw blade you are looking for? Tenryu stocks nearly any type and size of circular blade. All Tenryu blades are available in 1-2 days.

HOLE SAWS

BI-METAL C08 HOLE SAWS FINE TOOTHED



Ruko Bi-Metal Co8 Hole Saws are high quality and are made in Germany. The teeth contain 8% cobalt for more endurance in hard materials. They are fine tooth for smoother cuts in metals. They are suitable for use in wood, plastics, aluminum, brass, and steel. Cutting depth is 1 1/2"

Part #	Size	Part #	Size
TRHSF14	7/8	TRHSF40	2 1/2
TRHSF16	1	TRHSF44	2 3/4
TRHSF17	1 1/16	TRHSF48	3
TRHSF18	1 1/8	TRHSF50	3 1/8
TRHSF20	1 1/4	TRHSF54	3 3/8
TRHSF22	1 3/8	TRHSF58	3 5/8
TRHSF24	1 1/2	TRHSF64	4
TRHSF32	2	TRHSF72	4 1/2
TRHSF34	2 1/8	TRHSF80	5

HOLE SAW KITS



Part #	# of Pieces	Items Included
TRHSS	12	"3/4, 7/8, 1, 1 1/8, 1 3/8, 1 1/2, 1 3/4, 2, 2 1/4, 2 1/2, A2, & A4 ARBOR HOLDERS"
TRHSS19	19	5/8, 3/4, 21MM, 15/16, 1, 1 1/8, 1 1/4, 37MM, 40MM, 1 7/8, 2, 2 1/8, 2 3/8, 2 7/8, 3 1/4, A1 & A2 ARBORS, PILOT DRILL, 12" EXTENSION

HOLE SAWS & RECIPROCATING BLADES

HOLE SAWS

HOLE SAW ACCESSORIES



Part #	Description	Fits
TRHSPD164	1/4 X 3 15/16 PILOT DRILLS	A1, A2, A5, A6, A7 ARBORS
TRHSA1	A1 HSS HOLE SAW ARBOR	9/16-1 3/16 HOLE SAWS
TRHSA2	A2 HSS HOLE SAW ARBOR	1 1/4-6 HOLE SAWS

RECIPROCATING BLADES

Tooth Spacing

In order to prevent the teeth from breaking off or the blade from snapping, at least three teeth should be cutting at the same time. The thickness of the work piece should determine whether a coarse- or fine-toothed saw blade is to be used. The following information can be used as a rule of thumb for selecting the correct saw blade for the job in hand: A tooth spacing of 0.027" to 0.079" is suitable for thin materials and fine cuts. A tooth spacing of 0.098" to 0.157" is suitable for thick materials and coarse cuts.

HSS Bi-Metal

HSS bi-metal saw blades are the correct choice where the material to be cut and the conditions of use subject the saw-blade to extreme stresses. The teeth of the saw blade are made of HSS steel whereas the spine is made of a softer and more elastic HCS steel. This combination of materials makes the HSS bi-metal saw blades highly flexible and gives them high cutting performance and long service life at the same time.

HSS BI METAL RECIPROCATING BLADES

Part #	Size	Teeth Per Inch	Application	Image
TRR33189175	6 X 3/4 X .050	6	WOOD W/NAI LS, METAL, SOLID PLASTICS, FRP	
TRR33189015	6 X 3/4 X .039	10	WOOD W/NAI LS, METAL, ALUMINUM	
TRR33189155	6 X 3/4 X .039	14	METAL (PLATES, PIPES)	
TRR33189085	6 X 3/4 X .039	18	METAL (THIN SHEETING)	
TRR33189065	6 X 3/4 X .039	24	METAL (THIN SHEETING)	
TRR33189095	8 X 3/4 X .039	10	WOOD W/NAI LS, METAL, ALUMINUM	
TRR33189185	8 X 3/4 X .050	10-14	METAL (MEDIUM TO THICK SHEETING)	
TRR33189135	8 7/8 X 3/4 X .039	18	METAL (THIN SHEETING)	
TRR33189365	9 X 3/4 X .050	6	WOOD W/NAI LS, METAL, SOLID PLASTICS, FRP	
TRR33189285	9 X 3/4 X .039	10-14	WOOD W/NAI LS, METAL, ALUMINUM	
TRR33189165	9 X 3/4 X .039	14	METAL (THIN SHEETING)	
TRR33189375	12 X 3/4 X .050	6	WOOD W/NAI LS, METAL, SOLID PLASTICS, FRP	
TRR33189105	12 X 3/4 X .039	10-14	WOOD W/NAI LS, METAL, ALUMINUM, PLASTIC	
TRR33189295	12 X 3/4 X .050	10-14	WOOD W/NAI LS, METAL, ALUMINUM, PLASTIC	

RECIPROCATING BLADES, HACKSAW BLADES, & JIG-SAW BLADES

RECIPROCATING BLADES

HSS BI METAL RECIPROCATING DEMOLITION BLADES

Part #	Size	Teeth Per Inch	Application
TRR33189865	6 X 7/8 X .0625	8-10	METAL (PLATES, PIPES)
TRR33189885	9 X 7/8 X .0625	6	WOOD W/NAILS, METAL, CHIP BOARD
TRR33189895	9 X 7/8 X .0625	8-10	METAL (PLATES, PIPES)



HCS RECIPROCATING BLADES

Part #	Size	Teeth Per Inch	Application
TRR33189055	6 X 3/4 X .050	3	WOOD (NO NAILS)
TRR33189245	6 X 3/4 X .050	6	WOOD (NO NAILS)
TRR33189445	8 X 3/4 X .050	6-10	WOOD (NO NAILS)
TRR33189045	12 X 3/4 X .050	6	WOOD (NO NAILS)



HACKSAW BLADES

RUKO BRAND • BI-METAL

Part #	Teeth Per Inch	Length	Pack Quantity
TRHB	18	12"	10

Ruko Hacksaw Blades are made in Germany. The cutting edge is made of hard molybdenum high speed steel and the saw blade body is made of alloyed heat-treated steel. These combine to make the blade extremely wear resistant and unbreakable. It is an ideal blade for high demands.

JIG-SAW BLADES

Part #	Size	Teeth Per Inch	Application	Material
TRJT101B	4 X 5/16 X .055	10	HARDWOOD, SOFT WOOD, PLYWOOD, SOFT PLASTICS	HIGH SPEED STEEL
TRJT118A	3 X 5/16 X .039	24	THIN METALS, HARD & SOFT WOOD, THIN FIBERGLASS	HIGH SPEED STEEL
TRJT118AF	3 X 5/16 X .039	21	METALS UP TO 4MM THICK	HIGH SPEED STEEL
TRJT118B	3 X 5/16 X .039	14	NON FERROUS METALS UP TO 4MM THICK, ALUMINUM UP TO 10MM THICK, HARD PLASTICS UP TO 8MM THICK	HIGH SPEED STEEL
TRJT127D	4 X 5/16 X .039	8	THICKER METALS, PLASTICS	HIGH SPEED STEEL
TRJT144D	4 X 5/16 X .051	6	HARDWOOD, SOFT WOOD, SOFT PLASTICS, PLEXIGLAS, ROUGH AND FAST CUTS	HIGH CARBON STEEL
TRJT144DF	4 X 5/16 X .051	6	HARDWOOD, SOFT WOOD, WOOD W/NAILS, ROUGH AND HEAVY CUTS	HIGH SPEED STEEL
TRJT318A	4 X 5/16 X .039	4	PROFILED METALS, MILD STEEL, ALUMINUM, THINNER MATERIALS	HIGH SPEED STEEL
TRJT318B	4 X 5/16 X .051	4	PROFILED METALS, MILD STEEL, ALUMINUM, THICKER MATERIALS	HIGH SPEED STEEL

APEX DRIVE BITS & SOCKETS



Apex Drive Bits & Sockets are a premium US made tool. They offer a precision fit and the hardest heat treat in the industry.

EXTENSION BITS FOR SOCKETS

Part #	Size	Hex Drive	Pack Quantity
TAE162	1/4 X 2"	1/4	5
TAE242	3/8 X 2"	1/4	
TAE322	1/2 X 2"	1/4	
TAE323	1/2 X 3"	1/4	



SOCKET HEAD INSERT BITS

Part #	Size	Hex Drive	Pack Quantity
TAH101	5/32 X 1 5/16	1/4	5
TAH121	3/16 X 1 5/16	1/4	
TAH161	1/4 X 1 5/16	1/4	



SOCKET HEAD POWER DRIVE BITS

Part #	Size	Hex Drive
TAH102	5/32 X 2"	1/4
TAH122	3/16 X 2"	1/4
TAH162	1/4 X 2"	1/4
TAHM52	5MM X 2"	1/4



MAGNETIC NUTSETTERS

Part #	Size	Hex Drive
TAN16175	1/4 X 1-3/4"	1/4
TAN16256	1/4 X 2-9/16"	1/4
TAN20175	5/16 X 1-3/4"	1/4
TAN20256	5/16 X 2-9/16"	1/4
TAN204	5/16 X 4"	1/4
TAN206	5/16 X 6"	1/4
TAN24175	3/8 X 1-3/4"	1/4
TAN24256	3/8 X 2-9/16"	1/4
TAN244	3/8 X 4"	1/4
TAN246	3/8 X 6"	1/4



Part #	Size	Hex Drive
TAN28256	7/16 X 2-9/16	1/4
TAN322	1/2 X 2"	1/4
TAN7MM	7MM X 44.5MM	1/4
TAN8MM	8MM X 44.5MM	1/4

APEX DRIVE BITS & SOCKETS

PHILLIPS INSERT BITS

Part #	Size	Hex Drive
TAP11	#1 X 1"	1/4
TAP21	#2 X 1"	1/4
TAP4125	#4 X 1-1/4"	5/16



PHILLIPS POWER DRIVE BITS

Part #	Size	Hex Drive
TAP1275	#1 X 2-3/4"	1/4
TAP16	#1 X 6"	1/4
TAP22	#2 X 2"	1/4
TAP2275	#2 X 2-3/4"	1/4
TAP235	#2 X 3-1/2"	1/4
TAP26	#2 X 6"	1/4
TAP32	#3 X 2"	1/4
TAP3275	#3 X 2-3/4"	1/4



Part #	Size	Hex Drive
TAP335	#3 X 3-1/2"	1/4
TAP3354	#3 X 3-1/2"	1/4
TAP36	#3 X 6"	1/4

PHILLIPS POWER DRIVE BITS • INTERMEDIATE HARDNESS

Part #	Size	Hex Drive
TAP22I	#2 X 2"	1/4
TAP235I	#2 X 3 1/2"	1/4
TAP335I	#3 X 3 1/2"	1/4



Intermediate hardness should be used when you have problems with a bit shattering or breaking.

APEX DRIVE BITS & SOCKETS

SLOTTED POWER DRIVE BITS

Part #	Size	Hex Drive
TAS10122	10-12 X 2	1/4
TAS12142	12-14 X 2	1/4



SQUARE POWER DRIVE BITS

Part #	Size	Hex Drive
TAS12	#1 X 2"	1/4
TAS1275	#1 X 2 3/4"	1/4
TAS21	#2 X 1"	1/4
TAS22	#2 X 2"	1/4
TAS2275	#2 X 2 3/4"	1/4
TAS235	#2 X 3 1/2"	1/4



Part #	Size	Hex Drive
TAS26	#2 X 6"	1/4
TAS32	#3 X 2"	1/4

TORX INSERT BITS

Part #	Size	Hex Drive
TAT301	T30 X 1"	1/4
TAT401	T40 X 1"	1/4
TAT501	T50 X 1 1/4"	5/16



TORX POWER DRIVE BITS

Part #	Size	Hex Drive
TAT082	T8 X 2"	1/4
TAT10275	T10 X 2-3/4"	1/4
TAT106	T10 X 6"	1/4
TAT15275	T15 X 2-3/4"	1/4
TAT156	T15 X 6"	1/4
TAT202	T20 X 2"	1/4
TAT20275	T20 X 2-3/4"	1/4
TAT206	T20 X 6"	1/4
TAT25275	T25 X 2-3/4"	1/4
TAT256	T25 X 6"	1/4
TAT272	T27 X 2"	1/4



Part #	Size	Hex Drive
TAT2735	T27 X 3 1/2"	1/4
TAT276	T27 X 6"	1/4
TAT30275	T30 X 2-3/4"	1/4
TAT306	T30 X 6"	1/4
TAT402	T40 X 2"	1/4
TAT40275	T40 X 2-3/4"	1/4

MAGNETIC NUT SETTERS, SQUARE DRIVE BITS, PHILLIPS DRIVE BITS & TORX® DRIVE BITS

MAGNETIC NUT SETTERS

Part #	Size	Length	Pack Quantity
HKMNS16	1/4	1 3/4	5
HKMNS16256	1/4	2 9/16	5
HKMNS20	5/16	1 3/4	5
HKMNS20256	5/16	2 9/16	5
HKMNS204	5/16	4	5
HKMNS206	5/16	6	5
HKMNS24	3/8	1 3/4	5
HKMNS24256	3/8	2 9/16	5



Part #	Size	Length	Pack Quantity
HKMNS244	3/8	4	5
HKMNS246	3/8	6	5
HKMNS28	7/16	2	5
HKMNS32	1/2	1 3/4	5

SQUARE DRIVE BITS

Part #	Size	Length	Pack Quantity
HKSDB#12	#1	1 15/16	10
HKSDB#12.75	#1	2 3/4	10
HKSDB#21	#2	1	10
HKSDB#22	#2	1 15/16	10
HKSDB#22.75	#2	2 3/4	10
HKSDB#23.5	#2	3 1/2	10
HKSDB#26	#2	6	10



2 Piece Square Drive Bits are a longer lasting, better quality bit.

Part #	Size	Length	Pack Quantity
HKSDB#32	#3	1 15/16	10
HKSDB2P#22	#2	2"	10
HKSDB2P#23	#2	3"	10

PHILLIPS DRIVE BITS

Part #	Size	Length	Pack Quantity
HKPDB#11	#1	1	10
HKPDB#12.75	#1	2 3/4	10
HKPDB#16	#1	6	10
HKPDB#21	#2	1	10
HKPDB#22	#2	1 15/16	10
HKPDB#22.75	#2	2 3/4	10
HKPDB#23.5	#2	3 1/2	10
HKPDB#26	#2	6	10
HKPDB#32	#3	1 15/16	10



Part #	Size	Length	Pack Quantity
HKPDB#32.75	#3	2 3/4	10
HKPDB#33.5	#3	3 1/2	10
HKPDB#36	#3	6	10

TORX® DRIVE BITS

Part #	Size	Length	Pack Quantity
HKTDBT102.75	T10	2 3/4	10
HKTDBT152.75	T15	2 3/4	10
HKTDBT156	T15	6	10
HKTDBT202	T20	1 15/16	10
HKTDBT202.75	T20	2 3/4	10
HKTDBT252.75	T25	2 3/4	10
HKTDBT256	T25	6	10
HKTDBT272	T27	1 15/16	10



Part #	Size	Length	Pack Quantity
HKTDBT301	T30	1	10
HKTDBT302.75	T30	2 3/4	10
HKTDBT401	T40	1	10
HKTDBT402.75	T40	2 3/4	10

BIT HOLDER, EXTENSION BARS & ALLEN WRENCHES

BIT HOLDER SUPER MAGNETIC

Part #	Size	Length	Pack Quantity
HKBHM	1/4" HEX	2 3/8	5



EXTENSION BARS

Part #	Size	Length	Pack Quantity
HKEDB4	1/4" SQ.	2 9/16	5
HKEDB6	3/8" SQ.	2 9/16	5
HKEDB8	1/2" SQ.	2 9/16	5



Extension Bars provide a simple way to use your sockets with a drill.

ALLEN WRENCHES



Allen Wrenches are made in USA. Stock sizes are marked with a *. Lead time on non-stock sizes is 2-3 days.

Part #	Size	Arm	Pack Quantity
HKAW028	0.028	SHORT	100
HKAW035	0.035	SHORT	100
HKAW050	0.050	SHORT	100
HKAW04	1/16	SHORT	100
HKAW05	5/64	SHORT	100
HKAW06	3/32*	SHORT	100
HKAW07	7/64	SHORT	100
HKAW08	1/8*	SHORT	100
HKAW09	9/64	SHORT	100
HKAW10	5/32*	SHORT	100
HKAW12	3/16*	SHORT	100
HKAW14	7/32	SHORT	50
HKAW16	1/4	SHORT	50
HKAW20	5/16*	SHORT	50
HKAW24	3/8*	SHORT	25
HKAW28	7/16	SHORT	10
HKAW32	1/2	SHORT	10
HKAW36	9/16	SHORT	10
HKAW40	5/8	SHORT	10
HKAW48	3/4	SHORT	10
HKAW56	7/8	SHORT	10
HKAW64	1	SHORT	5

Part #	Size	Arm	Pack Quantity
HKAW80	1 1/4	SHORT	1
HKAW96	1 1/2	SHORT	1
HKAWL04	1/16	LONG	100
HKAWL05	5/64	LONG	100
HKAWL06	3/32	LONG	100
HKAWL07	7/64	LONG	100
HKAWL08	1/8	LONG	100
HKAWL09	9/64	LONG	100
HKAWL10	5/32	LONG	100
HKAWL12	3/16	LONG	100
HKAWL14	7/32	LONG	50
HKAWL16	1/4	LONG	50
HKAWL20	5/16	LONG	50
HKAWL24	3/8	LONG	25
HKAWL28	7/16	LONG	10
HKAWL32	1/2	LONG	10
HKAWL36	9/16	LONG	1
HKAWL40	5/8	LONG	1
HKAWL48	3/4	LONG	1
HKAWL56	7/8	LONG	1
HKAWL64	1	LONG	1

EMERY SCREEN, HAND BLIND RIVET TOOLS, & PNEUMATIC BLIND RIVET TOOLS

EMERY SCREEN



Emery Screen is mainly used in hand metalworking. It is used in fitting work and to clean up corrosion, etc. Screen has an advantage over cloth since it does not hold the sanded particles in during sanding.

Part #	Grit	Roll Length
EQEC180S	180 GRIT	25 YARDS

HAND BLIND RIVET TOOLS

PROFERRED BRAND

Part #: TPT01002

HR-705 Proferred Hand Operated Rivet Tool 2 Jaw Nosepiece 3/32", 1/8", 5/32", 3/16

Features

- Chrome steel and heat treated jaw & jaw case.
- High grade aluminum die cast housing.
- Carbon steel forged & heat treated handle.

Part #: TPT01003

HR-730 Proferred Hand Operated Lever Tool 3 Jaw Nosepiece 1/8", 5/32", 3/16", 7/32", 1/4"

Features

- Lever design reduces physical strength for all rivet sizes.
- Grip design for comfort, safety and utility.

PNEUMATIC BLIND RIVET TOOLS

VALUE RIVET BRAND

Marson Part #: V-2/M79014

Air-Hydraulic tool

- Sets 1/8"-3/16" diameter rivets in all materials
- Pulling force: 1870 lbs;
- Stroke: .551"
- Recommended airline pressure: 85-95 lb. Psi.
- Weight: 3.2 lbs.

Marson Part #: V-4/M79060

Air-Hydraulic tool

- Sets 3/32"-1/4" diameter rivets in all materials.
- Pulling force: 3055 lb.
- Stroke: .562"
- Recommended airline pressure: 85-95 lb. Psi.
- Weight: 4.2 lbs.



PNEUMATIC BLIND RIVET TOOLS

MARSON BRAND

These next-generation, professional-series air/hydraulic riveters are designed to be light weight and well-balanced. Both are engineered to maximize stroke and pull force with a 3-jaw set. For added convenience, you can direct connect or use the attached swivel. Each tool is supplied with nosepieces to set rivets in all alloys, and comes complete with adjustment service wrenches, hydraulic fluid, fluid applicator, spare jaws, and a removable swivel air connection line with an air OFF/ ON valve built in. An adjustable vacuum system control allows you to control the force of air needed to hold the rivet in place. Or, you may operate with the vacuum system turned off. Recommended air pressure is 70-95 PSI.



Marson Part #: MP-3V/M39045

- Stroke: 3/4"
- Pulling Force: 1,800 lbs.
- Capacity: 3/32" – 3/16", all alloys
- Weight: 2.9 lbs.



Marson Part #: MP-4V/M39048

- Stroke: 1"
- Pulling Force: 3,420 lbs.
- Capacity: 5/32" – 1/4", all alloys,
- 1/4" monobolt nosepiece included
- Weight: 3.7 lbs.

Each of these proven, professional tools features a one-piece molded frame and front swivel air inlet for maximum operator comfort and durability. An external vacuum adjustment offers convenient air flow control for rivet placement and mandrel disposal. This allows the operator to install rivets in any orientation using one hand, and freeing up the other for assembly. Spent mandrels are conveniently collected in the bottle for disposal, encouraging a safer, clean work environment. Tools come complete with oil, replacement jaws, and nosepieces. Recommended air pressure: 85-95 psi.

Marson Part #: 302-E/M39062

- Stroke: .812"
- Pulling Force: 2,000 lbs.
- Capacity: 3/32" – 3/16" diameter in all alloys and up to 1/4" in aluminum/steel combinations.
- Weight: 4 lbs.



PNEUMATIC RIVET NUT TOOLS

MARSON BRAND



SST Series

The versatile, low cost, Spin/Spin pneumatic rivet nut production tool now comes with a quick-change nosepiece assembly and standard socket head cap screw for convenient replacement and change over. For added ease of operation, the Spin/Spin offers a superior ergonomic design, lightweight body, and operates without stroke adjustment. Available models come with 2 front assemblies of your choice.

Part #	RPM	Recommended Sizes	Optional Sizes
TMSST3/M39803	600	1/4-20	10-24, 5/16-18
TMSST4/M39804	400	5/16-18, 3/8-16	-



140-SP/M39223

The 140-SP features advanced Spin/Pull action, along with 3,057 lbs. of pull force, in a smaller tool. Just hold the Rivet Nut onto the mandrel end and engage. The tool will automatically spin the nut on. Insert the Rivet Nut in the hole and pull the trigger to set the fastener. Then toggle to the bottom trigger and reverse spin the mandrel off. Easy installation in seconds. Comes supplied with inch mandrels and nosepieces 6-32" through 1/4-20" conveniently stored in a durable carry case. Mandrels and nosepieces for 4mm through 6mm can be purchased separately. Weight 4.9 lbs.

Part #	Sizes
TM140SP/39223	6-32 THROUGH 1/4-20

SECTION 5: HOSE, PIPE, TUBE, & FITTINGS



BRASS PIPE FITTINGS

Brass Pipe Fittings are for plumbing and industrial applications. They have a maximum working pressure of 1000 PSI and work in temperature ranges of -65°F to 250°F.

BRASS CLOSE NIPPLES



Part #	Size	Length	Pkg Qty
EQBF28131	1/8	0.75	10
EQBF28132	1/4	0.88	10
EQBF28133	3/8	1	10
EQBF28134	1/2	1.12	5
EQBF28135	3/4	1.31	5

BRASS HEX NIPPLES



Part #	Size	Length	Hex	Pkg Qty
EQBF28212	1/4	1.38	9/16	10
EQBF28214	1/2	1.81	7/8	5

BRASS COUPLINGS



Part #	Size	Length	Hex	Pkg Qty
EQBF28058L	1/8	0.75	1/2	10
EQBF28059L	1/4	0.88	5/8	10
EQBF28060L	3/8	1	13/16	10
EQBF28061L	1/2	1.19	15/16	5
EQBF28062L	3/4	1.19	1 1/4	5

BRASS UNIONS



Part #	Size	Length	Hex	Pkg Qty
EQBF28068	1/4	1.31	1 1/16	10

BRASS NIPPLES



Part #	Size	Pkg Qty
EQBF28148	3/8 X 1 1/2	10

BRASS REDUCING HEX NIPPLES



Part #	Size	Length	Hex	Pkg Qty
EQBF28220L	1/4 X 1/8	1	9/16	10
EQBF28221	3/8 X 1/8	1.22	11/16	10
EQBF28222L	3/8 X 1/4	1.19	11/16	10
EQBF28223L	1/2 X 1/4	1.34	7/8	5
EQBF28224L	1/2 X 3/8	1.41	7/8	5
EQBF28225	3/4 X 1/2	1.5	1 1/16	5

BRASS REDUCING COUPLINGS



Part #	Size	Length	Hex	Pkg Qty
EQBF28181L	1/4 X 1/8	0.94	5/8	10
EQBF28183L	3/8 X 1/4	1	13/16	10
EQBF28184L	1/2 X 1/4	1.11	1	5
EQBF28185L	1/2 X 3/8	1.19	15/16	5
EQBF28189	3/4 X 1/2	1.19	1 3/16	5

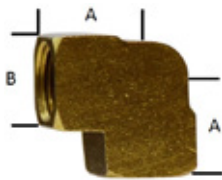
BRASS PIPE FITTINGS

BRASS REDUCER BUSHINGS



Part #	Size	Length	Hex	Pkg Qty
EQBF28102L	1/4 X 1/8	0.62	9/16	10
EQBF28103	3/8 X 1/8	0.75	11/16	10
EQBF28104L	3/8 X 1/4	0.69	11/16	10
EQBF28105L	1/2 X 1/8	0.81	13/16	5
EQBF28106L	1/2 X 1/4	0.81	13/16	5
EQBF28107L	1/2 X 3/8	0.81	13/16	5
EQBF28108	3/4 X 1/8	0.94	1 1/16	5
EQBF28109L	3/4 X 1/4	0.94	1 1/16	5
EQBF28110L	3/4 X 3/8	0.94	1 1/16	5
EQBF28111L	3/4 X 1/2	0.94	1 1/16	5
EQBF28112	1 X 1/4	1.15	1 3/8	5
EQBF28113	1 X 3/8	1.12	1 3/8	5
EQBF28114	1 X 1/2	1.31	1 7/16	5
EQBF28115	1 X 3/4	1.31	1 3/8	5

BRASS 90° FEMALE ELBOW



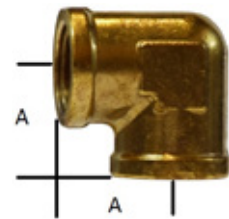
Part #	Size	A	B	Pkg Qty
EQBF28001	1/8	0.55	.56	10
EQBF28002	1/4	0.78	.68	10
EQBF28003	3/8	0.84	.81	10
EQBF28004	1/2	1.09	1	5
EQBF28005	3/4	1.16	1.25	5

BRASS ADAPTERS



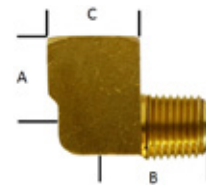
Part #	Size (FIP X MIP)	Length	Hex	Pkg Qty
EQBF28190	1/8 X 1/8	0.88	9/16	10
EQBF28191L	1/4 X 1/8	0.94	5/8	10
EQBF28192L	1/4 X 1/4	1	5/8	10
EQBF28193L	3/8 X 1/4	1.12	13/16	10
EQBF28194L	3/8 X 3/8	1.24	13/16	10
EQBF28199	1/2 X 1/4	1.46	1 1/16	5
EQBF28195L	1/2 X 3/8	1.19	15/16	5
EQBF28196	1/2 X 1/2	1.66	1 1/16	5
EQBF28207	3/4 X 3/8	1.59	1 1/4	5
EQBF28208	3/4 X 1/2	1.69	1 3/8	5
EQBF28209	3/4 X 3/4	1.69	1 3/8	5

BRASS 90° FORGED FEMALE REDUCING ELBOW



Part #	Size	A	Body Width	Pkg Qty
EQBF28014	1/4 X 1/8	0.72	.69	10
EQBF28015	3/8 X 1/4	0.81	.81	10
EQBF28016	1/2 X 3/8	1	1	5

BRASS 90° STREET ELBOW

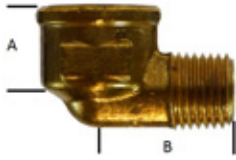


Part #	Size	A	B	C	Pkg Qty
EQBF28156	1/8	0.48	.66	0.56	10
EQBF28156S	1/8 SHORT	0.34	.57	0.5	10
EQBF28157	1/4	0.72	.91	0.68	10
EQBF28158	3/8	0.78	.97	0.81	10
EQBF28159	1/2	1.03	1.25	1	5
EQBF28169	3/4	1.12	1.38	1.25	5

HOSE, PIPE, TUBES & FITTINGS

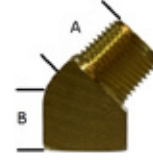
BRASS PIPE FITTINGS

BRASS 90° FORGED REDUCING STREET ELBOW



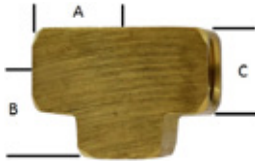
Part #	Size	A	B	C	Pkg Qty
EQBF28260	1/8 X 1/4	0.5	.87	0.71	10
EQBF28261B	1/4 X 1/8	0.53	.72	0.69	10
EQBF28262	1/4 X 3/8	0.93	1.06	0.59	10
EQBF28263	3/8 X 1/4	0.58	.94	0.81	10
EQBF28264	3/8 X 1/2	0.97	1.36	1	10
EQBF28265	1/2 X 3/8	0.96	1.37	1	5

BRASS 45° STREET ELBOW



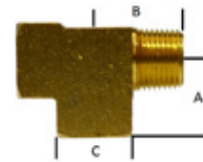
Part #	Size	A	B	C	Pkg Qty
EQBF28230	1/8	0.5	.38	0.56	10
EQBF28231	1/4	0.72	.56	0.68	10
EQBF28232	3/8	0.78	.56	0.81	10
EQBF28233	1/2	1	.75	1	5
EQBF28234	3/4	1.06	.75	1.25	5

BRASS TEE



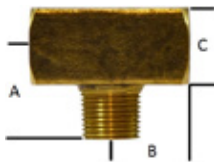
Part #	Size	A	B	C	Pkg Qty
EQBF28024	1/8	0.55	.55	0.56	10
EQBF28025	1/4	0.78	.78	0.68	10
EQBF28026	3/8	0.84	.84	0.81	10
EQBF28027	1/2	1.09	1.09	1	5
EQBF28036	3/4	1.16	1.16	1.25	5

BRASS STREET TEE



Part #	Size	A	B	C	Pkg Qty
EQBF28230	1/8	0.5	.38	0.56	10
EQBF28231	1/4	0.72	.56	0.68	10
EQBF28232	3/8	0.78	.56	0.81	10
EQBF28233	1/2	1	.75	1	5
EQBF28234	3/4	1.06	.75	1.25	5

BRASS BRANCH TEE



Part #	Size	A	B	C	Pkg Qty
EQBF28281	1/8	0.66	.55	0.56	10
EQBF28282	1/4	0.91	.78	0.68	10
EQBF28283	3/8	0.97	.84	0.81	10
EQBF28284	1/2	1.25	1.09	1	5
EQBF28285	3/4	1.38	1.16	1.25	5

BRASS CROSS



Part #	Size	Length	Width	Pkg Qty	Pkg Qty
EQBF28041	1/8	1.1	.56	10	10
EQBF28042	1/4	1.56	.68	10	10
EQBF28043	3/8	1.68	.81	10	10
EQBF28044	1/2	2.18	1	5	5
EQBF28045	3/4	2.32	1.25	5	5

HOSE, PIPE, TUBES & FITTINGS

BRASS PIPE FITTINGS & BRASS PUSH-IN FITTINGS

BRASS PIPE FITTINGS

BRASS HEX CAP



Part #	Size	Length	Hex	Pkg Qty
EQBF28075	1/8	0.47	9/16	10
EQBF28076	1/4	0.6	11/16	10
EQBF28077	3/8	0.69	13/16	10
EQBF28078	1/2	0.78	15/16	5
EQBF28079	3/4	0.94	1 1/4	5

BRASS SQUARE PLUG



Part #	Size	Length	Square	Pkg Qty
EQBF28086	3/8	0.8	7/16	10
EQBF28087	1/2	1.07	9/16	5

BRASS HEX PLUG



Part #	Size	Length	Hex	Style	Pkg Qty
EQBF28201	1/8	0.55	7/16	CORED	10
EQBF28202	1/4	0.62	9/16	CORED	10
EQBF28203	3/8	0.72	11/16	CORED	10
EQBF28203S	3/8	0.66	11/16	SOLID	10
EQBF28204	1/2	0.81	7/8	CORED	5
EQBF28205	3/4	0.94	1 1/16	CORED	5

BRASS PUSH-IN FITTINGS

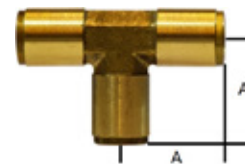
Push-In Tube Fittings offer cost savings and easy assembly. They have a maximum working pressure equal to the plastic tubing used and work between -10°F and 200°F.

BRASS PUSH-IN UNIONS



Part #	Size	Length	OD	Pkg Qty
EQBF20017	1/8	1.07	.38	10
EQBF20019	1/4	1.5	.44	10
EQBF20020	3/8	1.44	.56	10

BRASS PUSH-IN UNION TEES



Part #	Size	A	Body	Pkg Qty
EQBF20028	1/4	.92	.37	10
EQBF20029	3/8	.98	.5	10

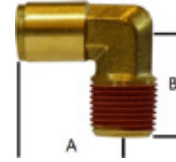
BRASS PUSH-IN FITTINGS

BRASS PUSH-IN MALE ADAPTERS



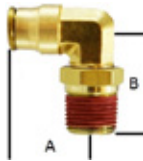
Part #	Tube OD X NPT	Length	Hex	Pkg Qty
EQBF20054	1/4 X 1/8	.93	7/16	10
EQBF20055	1/4 X 1/4	.93	9/16	10
EQBF20056	1/4 X 3/8	.94	11/16	10
EQBF20058	3/8 X 1/4	1.11	9/16	10
EQBF20059	3/8 X 3/8	1.02	11/16	10
EQBF20062	3/8 X 1/2	1.02	7/8	5

BRASS PUSH-IN 90° MALE ELBOWS



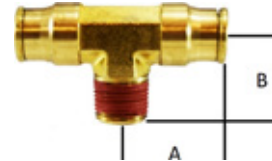
Part #	Size	A	B	Body Size	Pkg Qty
EQBF20065	1/8 X 1/8	.69	.69	.31	10
EQBF20068	1/4 X 1/8	.89	.75	.37	10
EQBF20069	1/4 X 1/4	.95	.96	.37	10
EQBF20064	1/2 X 1/2	1.16	1.66	.62	5

BRASS PUSH-IN 90° SWIVEL MALE ELBOWS



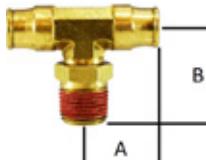
Part #	Size	A	B	Hex	Pkg Qty
EQBF20083	3/8 X 1/4	.99	1.15	9/16	10
EQBF20084	3/8 X 3/8	1	1.24	11/16	10
EQBF20085	1/2 X 3/8	1.16	1.34	11/16	5
EQBF20092	1/2 X 1/2	1.16	1.61	5/8	5

BRASS PUSH-IN MALE BRANCH TEES



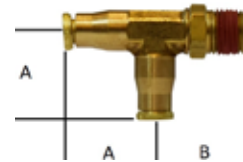
Part #	Size	A	B	Body Size	Pkg Qty
EQBF20115	1/4 X 1/8	.92	.74	.37	10
EQBF20116	1/4 X 1/4	.91	.93	.37	10

BRASS PUSH-IN SWIVEL MALE BRANCH TEES



Part #	Size	A	B	Hex	Pkg Qty
EQBF20107	3/8 X 1/4	.96	1.14	1/2	10
EQBF20108	3/8 X 3/8	.96	1.23	11/16	10

BRASS PUSH-IN SWIVEL MALE RUN TEES



Part #	Size	A	B	Hex	Pkg Qty
EQBF20164	3/8 X 1/4	.94	1.19	9/16	10
EQBF20165	3/8 X 3/8	.96	1.24	1/2	10

HOSE, PIPE, TUBES & FITTINGS

BRASS COMPRESSION FITTINGS

Compression Fittings are for use with copper, aluminum, and thermoplastic tubing. They are for temperature range -65°F to 200°F and have a fair resistance to vibration. Not recommended for use with steel tubing.

CHART FOR WORKING PRESSURES AND THREAD SIZE

Tube OD	3/16	1/4	5/16	3/8	1/2	5/8	3/4
THREAD SIZE	3/8-24	7/16-24	1/2-24	9/16-24	11/16-20	13/16-18	1-8
WORKING PRESSURE	400	300	300	200	200	150	100

BRASS COMPRESSION SLEEVE



Part #	Size	Length	OD	Pkg Qty
EQBF18002	3/16	.22	.27	10
EQBF18003	1/4	.25	.34	10
EQBF18004	5/16	.25	.41	10
EQBF18005	3/8	.25	.47	10
EQBF18007	1/2	.38	.59	5
EQBF20062	3/8 X 1/2	1.02	7/8	5

BRASS COMPRESSION NUT



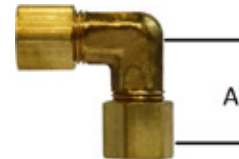
Part #	Size	Thread	Length	Hex	Pkg Qty
EQBF18035	1/4	7/16-24	.44	1/2	10
EQBF18036	5/16	1/2-24	.44	9/16	10
EQBF18037	3/8	9/16-24	.47	5/8	10
EQBF18039	1/2	11/16-20	.62	13/16	5

BRASS COMPRESSION UNION



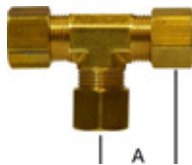
Part #	Size	Length	Hex	Pkg Qty
EQBF18063	3/16	.75	3/8	10
EQBF18064L	1/4	.79	7/16	10
EQBF18065	5/16	.88	1/2	10
EQBF18066	3/8	.98	9/16	10

BRASS COMPRESSION UNION 90° ELBOW



Part #	Size	A	Body Size	Pkg Qty
EQBF18123	3/16	.61	.37	10
EQBF18124	1/4	.66	.38	10
EQBF18125	5/16	.69	.47	10
EQBF18126	3/8	.72	.43	10

BRASS COMPRESSION UNION TEE



Part #	Size	A	Body Size	Pkg Qty
EQBF18102	3/16	.59	.36	10
EQBF18103	1/4	.63	.36	10
EQBF18104	5/16	.72	.5	10
EQBF18105	3/8	.75	.5	10

BRASS COMPRESSION FEMALE ADAPTER



Part #	Size (Comp X FIP)	Length	Hex	Pkg Qty
EQBF18148	1/4 X 1/2	1.02	7/8	10

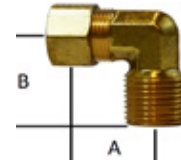
BRASS COMPRESSION FITTINGS

BRASS COMPRESSION MALE ADAPTER



Part #	Size (Comp X MIP)	Length	Hex	Pkg Qty
EQBF18180L	1/4 X 1/4	.94	9/16	10
EQBF18188L	3/8 X 1/4	1.03	9/16	10
EQBF18189L	3/8 X 3/8	1.09	11/16	10

BRASS COMPRESSION 90° MALE ELBOW



Part #	Size	A	B	Body Size	Pkg Qty
EQBF18220	1/8 X 1/8	.59	.75	.34	10
EQBF18225	1/4 X 1/4	.65	.94	.36	10
EQBF18233	3/8 X 1/4	.75	.82	.46	10
EQBF18234	3/8 X 3/8	.81	.94	.46	10

BRASS COMPRESSION BALL CHECK VALVE



Minimum working pressure 3 PSI

Part #	Tube OD X NPT	Length	Hex	Pkg Qty
EQBF18094	1/4 X 1/8	.88	.44	10

HOSE, PIPE, TUBES & FITTINGS

BRASS HOSE BARB FITTINGS

These hose barb fittings are intended for use with a hose clamp or crimped ferrule. They are rated for a maximum 150 PSI and work from -40° to 160°F.

HOSE CLAMP POSITION

Hose Size	Distance from Stop Ring
1/4	1/4
5/16	1/4
3/8	1/8

Hose Size	Distance from Stop Ring
1/2	1/8
5/8	1/8
3/4	1/8

BRASS HOSE BARB MALE ADAPTER

Part #	Size (Hose X MIP)	Barb Length	Length	Hex	Pkg Qty
EQBF32001	1/8 X 1/8	.69	1.19	7/16	10
EQBF32002	3/16 X 1/8	.75	1.19	7/16	10
EQBF32003	3/16 X 1/4	.69	1.37	9/16	10
EQBF32004	1/4 X 1/8	.97	1.47	7/16	10
EQBF32005	1/4 X 1/4	.97	1.72	9/16	10
EQBF32006	1/4 X 3/8	.97	1.72	11/16	10
EQBF32008	5/16 X 1/8	.97	1.47	7/16	10
EQBF32009	5/16 X 1/4	.97	1.72	9/16	10
EQBF32010	5/16 X 3/8	.97	1.76	11/16	10
EQBF32011	3/8 X 1/8	.97	1.53	9/16	10
EQBF32012	3/8 X 1/4	.97	1.75	9/16	10
EQBF32013	3/8 X 3/8	.96	1.72	11/16	10
EQBF32014	3/8 X 1/2	.97	1.97	7/8	10
EQBF32302	1/2 X 1/8	.95	1.57	9/16	5
EQBF32015	1/2 X 1/4	.97	1.72	9/16	5
EQBF32016	1/2 X 3/8	.97	1.76	11/16	5



Part #	Size (Hose X MIP)	Barb Length	Length	Hex	Pkg Qty
EQBF32017	1/2 X 1/2	.96	1.87	7/8	5
EQBF32018	1/2 X 3/4	.97	1.94	1 1/16	5
EQBF32304	5/8 X 1/4	.92	1.67	11/16	5
EQBF32019	5/8 X 3/8	.97	1.76	11/16	5
EQBF32020	5/8 X 1/2	.96	1.87	7/8	5
EQBF32021	5/8 X 3/4	.96	1.87	1 1/16	5
EQBF32306	3/4 X 3/8	.87	1.65	13/16	5
EQBF32022	3/4 X 1/2	.96	1.87	7/8	5
EQBF32023	3/4 X 3/4	.96	1.87	1 1/16	5
EQBF32316	3/4 X 1	1.15	2.55	1 3/8	5
EQBF32025	1 X 1	1.19	2.48	1 3/8	5
EQBF32028	1 1/4 X 1	1.19	2.55	1 3/8	3

BRASS HOSE BARB MENDER

Part #	Size (Hose X Hose)	Barb Length	Length	OD	Pkg Qty
EQBF32092	3/16 X 3/16	.77	1.62	.36	10
EQBF32093	1/4 X 1/4	.96	2	.37	10
EQBF32094	5/16 X 5/16	.96	2	.39	10
EQBF32375	3/8 X 5/16	.97	2	.56	10
EQBF32095	3/8 X 3/8	.94	2	.51	10
EQBF32096	1/2 X 1/2	.96	2	.62	5
EQBF32097	5/8 X 5/8	.96	2.05	.75	5

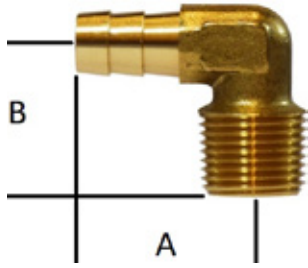


Part #	Size (Hose X Hose)	Barb Length	Length	OD	Pkg Qty
EQBF32098	3/4 X 3/4	1.15	2.5	.87	5
EQBF32099	1 X 1	1.44	3	1.02	5

HOSE, PIPE, TUBES & FITTINGS

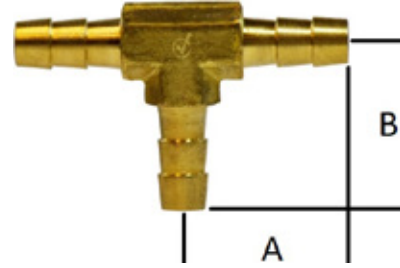
BRASS HOSE BARB FITTINGS

BRASS HOSE BARB MALE 90° ELBOW



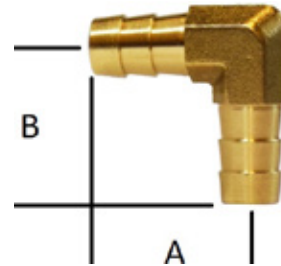
Part #	Size (Hose X NPT)	A	B	Barb Length	Body Size	Pkg Qty
EQBF32308	3/16 X 1/8	.95	.7	.66	0.37	10
EQBF32038	1/4 X 1/8	1.01	.81	.71	0.47	10
EQBF32039	1/4 X 1/4	1.01	.87	.63	0.47	10
EQBF32309	1/4 X 3/8	1.08	.97	.73	0.69	10
EQBF32036	5/16 X 1/8	1.01	.81	.63	0.47	10
EQBF32040	5/16 X 1/4	1.01	.87	.63	0.47	10
EQBF32310	5/16 X 3/8	1.06	.94	.63	0.5	10
EQBF32046	3/8 X 1/8	1.01	.81	.63	0.47	10
EQBF32041	3/8 X 1/4	1.02	.88	.65	0.47	10
EQBF32042	3/8 X 3/8	1.09	.93	.68	0.5	10
EQBF32047	3/8 X 1/2	1.11	1.09	.63	0.59	10
EQBF32048	1/2 X 1/4	1.06	1.00	.68	0.59	5
EQBF32043	1/2 X 3/8	1.06	1.09	.69	0.59	5
EQBF32311	1/2 X 1/2	1.31	1.19	.87	0.56	5
EQBF32044	5/8 X 3/8	1.12	1.06	.61	0.56	5
EQBF32045	5/8 X 1/2	1.12	1.12	.66	0.59	5
EQBF32312	5/8 X 3/4	1.46	1.26	.93	1.06	5
EQBF32313	3/4 X 1/2	1.31	1.28	.87	0.85	5
EQBF32314	3/4 X 3/4	1.46	1.26	.91	1.06	5

BRASS HOSE BARB TEE



Part #	Size	A	B	Body Size	Pkg Qty
EQBF32365	1/4	1	1	.44	10
EQBF32366	5/16	1	1	.44	10
EQBF32126	3/8	1.01	1.01	.43	10
EQBF32400	1/2	1.02	1	.43	5
EQBF32361	5/8	1.26	1.26	.75	5
EQBF32363	3/4	1.26	1.26	.88	5

BRASS HOSE BARB 90° ELBOW



Part #	Size	A	B	Body Size	Pkg Qty
EQBF32413	1/4 X 1/4	1.01	1.01	.44	10
EQBF32425	5/16 X 5/16	1.15	1.15	.48	10
EQBF32415	3/8 X 1/4	1.00	1.00	.44	10
EQBF32416	3/8 X 3/8	1.02	1.02	.44	10
EQBF32418	1/2 X 1/4	1.24	1.08	.5	5
EQBF32419	1/2 X 3/8	1.22	1.09	.5	5
EQBF32420	1/2 X 1/2	1.24	1.24	.5	5

BRASS PUSH ON HOSE BARB MENDER

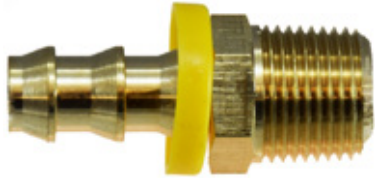


Part #	Size	OAL	Pkg Qty
EQBF30300	1/4	1.87	10
EQBF30305	5/16	1.8	10
EQBF30301	3/8	2	10

HOSE, PIPE, TUBES & FITTINGS

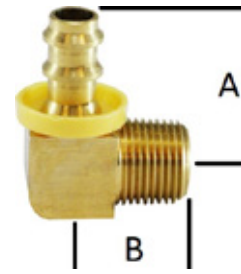
BRASS HOSE BARB FITTINGS & BRASS DOT AIR BRAKE NYLON TUBING FITTINGS

BRASS PUSH ON HOSE BARB MALE ADAPTER



Part #	Size (Hose X MIP)	Barb Length	OAL	Hex	Pkg Qty
EQBF30200	1/4 X 1/8	.87	1.43	1/2	10
EQBF30201	1/4 X 1/4	.87	1.66	9/16	10
EQBF30212	5/16 X 1/8	.77	1.42	7/16	10
EQBF30213	5/16 X 1/4	.87	1.66	9/16	10
EQBF30202	3/8 X 1/8	.97	1.53	1/2	10
EQBF30203	3/8 X 1/4	.89	1.69	9/16	10
EQBF30204	3/8 X 3/8	.97	1.76	11/16	10

BRASS PUSH ON HOSE BARB 90° MALE ELBOW



Part #	Size (Hose X MIP)	A	B	Body Size	Pkg Qty
EQBF30372	1/4 X 1/8	.98	.75	0.5	10
EQBF30373	1/4 X 1/4	1.04	.95	0.56	10
EQBF30374	5/16 X 1/8	1.02	.94	0.5	10
EQBF30375	5/16 X 1/4	1.09	.94	0.56	10
EQBF30370	3/8 X 1/8	1.11	.75	0.5	10
EQBF30371	3/8 X 1/4	1.12	.9	0.56	10
EQBF30376	3/8 X 3/8	1.21	.92	0.7	10

BRASS DOT AIR BRAKE NYLON TUBING FITTINGS

DOT Air Brake Fittings are easy to assemble and have built in tube support. They have a maximum operating pressure of 150 PSI, fair resistance to vibration, and can be used in temperatures between -40° and 200°F. Use them with Nylon Tubing SAE J844 Type A and B.

BRASS DOT AIR BRAKE NYLON TUBING SLEEVES



Part #	Size	Length	Pkg Qty
EQBF38001	1/4	.3	10
EQBF38002	3/8	.39	10
EQBF38003	1/2	.43	5
EQBF38004	5/8	.48	5
EQBF38005	3/4	.53	5

BRASS DOT AIR BRAKE NYLON TUBING NUTS



Part #	Size	Length	Hex	Pkg Qty
EQBF38010	1/4	.45	9/16	10
EQBF38011	3/8	.63	5/8	10
EQBF38012	1/2	.72	13/16	5
EQBF38013	5/8	.77	15/16	5

BRASS DOT AIR BRAKE NYLON TUBING FITTINGS

BRASS DOT AIR BRAKE NYLON TUBING INSERTS



Part #	Size	Length	OD	Pkg Qty
EQBF38040	1/4	.66	.15	10
EQBF38041	3/8	.84	.24	10
EQBF38042	1/2	1	.37	5

BRASS DOT AIR BRAKE NYLON TUBING UNIONS



Part #	Size	Length	Hex	Pkg Qty
EQBF38019	1/4	.85	7/16	10
EQBF38020	3/8	1.1	9/16	10
EQBF38021	1/2	1.31	11/16	5
EQBF38022	5/8	1.43	13/16	5
EQBF38023	3/4	1.6	1	5

BRASS DOT AIR BRAKE NYLON TUBING MALE ADAPTERS

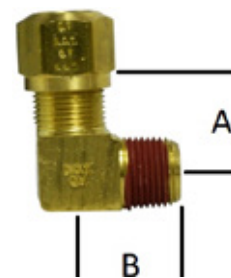
Part #	Size (Tube X NPT)	Length	Hex	Pkg Qty
EQBF38073	1/4 X 1/8	.88	7/16	10
EQBF38074	1/4 X 1/4	1.09	9/16	10
EQBF38075	1/4 X 3/8	1.07	11/16	10
EQBF38076	3/8 X 1/8		9/16	10
EQBF38077	3/8 X 1/4	1.2	9/16	10
EQBF38078	3/8 X 3/8	1.24	11/16	10
EQBF38079	3/8 X 1/2	1.43	7/8	10
EQBF38080	1/2 X 1/4		11/16	5
EQBF38081	1/2 X 3/8	1.32	11/16	5
EQBF38082	1/2 X 1/2	1.51	7/8	5
EQBF38087	1/2 X 3/4	1.57	1 1/16	5



Part #	Size (Tube X NPT)	Length	Hex	Pkg Qty
EQBF38083	5/8 X 3/8	1.39	13/16	5
EQBF38084	5/8 X 1/2		7/8	5
EQBF38088	5/8 X 3/4		1 1/16	5
EQBF38085	3/4 X 1/2	1.68	1	5
EQBF38086	3/4 X 3/4	1.71	1 1/16	5

BRASS DOT AIR BRAKE NYLON TUBING 90° MALE ELBOWS

Part #	Size (Tube X NPT)	A	B	Pkg Qty
EQBF38091	1/4 X 1/8	.61	.65	10
EQBF38092	1/4 X 1/4	.67	.86	10
EQBF38093	1/4 X 3/8	.72	.85	10
EQBF38094	3/8 X 1/8	.72	.73	10
EQBF38095	3/8 X 1/4	.8	.93	10
EQBF38101	3/8 X 3/8	.83	.9	10
EQBF38102	3/8 X 1/2	.93	1.09	10
EQBF38103	1/2 X 1/4	.85	.98	5
EQBF38104	1/2 X 3/8	.92	.98	5
EQBF38105	1/2 X 1/2	1.02	1.17	5
EQBF38106	5/8 X 3/8	1	1.05	5



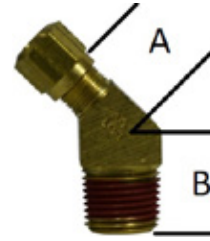
Part #	Size (Tube X NPT)	A	B	Pkg Qty
EQBF38107	5/8 X 1/2	1.1	1.25	5
EQBF38110	5/8 X 3/4	1.09	1.24	5
EQBF38108	3/4 X 1/2	1.19	1.33	5

HOSE, PIPE, TUBES & FITTINGS

BRASS DOT AIR BRAKE NYLON TUBING FITTINGS

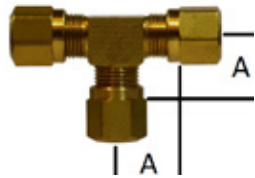
BRASS DOT AIR BRAKE NYLON TUBING 45° MALE ELBOWS

Part #	Size (Tube X NPT)	A	B	Pkg Qty
EQBF38148	1/4 X 1/8	.49	.63	10
EQBF38149	1/4 X 1/4	.6	.85	10
EQBF38150	3/8 X 1/8	.71	.67	10
EQBF38151	3/8 X 1/4	.72	.86	10
EQBF38152	3/8 X 3/8	.76	.95	10
EQBF38153	3/8 X 1/2	.78	1.2	10
EQBF38157	1/2 X 1/4	.85	.95	5
EQBF38154	1/2 X 3/8	.84	.94	5



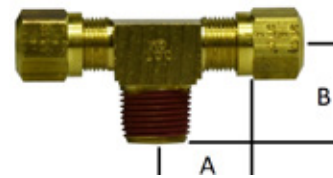
Part #	Size (Tube X NPT)	A	B	Pkg Qty
EQBF38155	1/2 X 1/2	.87	1.16	5
EQBF38156	5/8 X 1/2	1	1.2	5
EQBF38158	3/4 X 1/2	1.1	1.18	5

BRASS DOT AIR BRAKE NYLON TUBING TEES



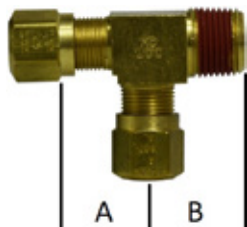
Part #	Tube OD	A	Pkg Qty
EQBF38045	3/8	.78	10

BRASS DOT AIR BRAKE NYLON TUBING MALE BRANCH TEES



Part #	Size (Tube X NPT)	A	B	Pkg Qty
EQBF38136	1/4 X 1/8	.61	.65	10
EQBF38137	1/4 X 1/4	.67	.86	10
EQBF38138	3/8 X 1/8	.71	.73	10
EQBF38139	3/8 X 1/4	.78	.91	10
EQBF38140	3/8 X 3/8	.83	.9	10
EQBF38133	1/2 X 1/4	.87	1	5
EQBF38141	1/2 X 3/8	.92	.98	5
EQBF38142	1/2 X 1/2	1.02	1.17	5
EQBF38143	5/8 X 1/2	1.09	1.24	5

BRASS DOT AIR BRAKE NYLON TUBING MALE RUN TEES



Part #	Size (Tube X NPT X Tube)	A	B	Pkg Qty
EQBF38125	1/4 X 1/8 X 1/4	.61	.65	10
EQBF38126	1/4 X 1/4 X 1/4	.68	.86	10
EQBF38127	3/8 X 1/4 X 3/8	.78	.91	10
EQBF38128	3/8 X 3/8 X 3/8	.83	.9	10
EQBF38129	1/2 X 3/8 X 1/2	.92	.98	5

BRASS DOT PUSH-IN FITTINGS

DOT Push-In Tube Fittings offer cost savings and easy assembly. They meet D.O.T. FMVSS 571.106 SAE J1131 air brake system requirements. They have a maximum working pressure of 150 PSI and work between -40° and 200°F.

NYLON DOT PUSH-IN PLUG



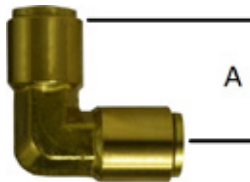
Part #	Size	OAL	Pkg Qty
EQBF590400	1/4	.81	10
EQBF590600	3/8	1.34	10
EQBF590800	1/2	.99	5

BRASS DOT PUSH-IN UNION



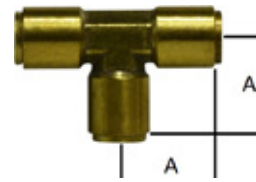
Part #	Size	OAL	OD	Pkg Qty
EQBF620532	5/32	1.18	.39	10
EQBF620400	1/4	1.22	.47	10
EQBF620600	3/8	1.77	.67	10
EQBF620800	1/2	2.01	.81	5
EQBF621000	5/8	2.42	1	5
EQBF621200	3/4	2.48	1.18	5

BRASS DOT PUSH-IN 90° UNION ELBOW



Part #	Size	A	Body Size	Pkg Qty
EQBF650400	1/4	1.05	.5	10
EQBF650600	3/8	1.1	.5	10
EQBF650800	1/2	1.26	.62	5

BRASS DOT PUSH-IN UNION TEE



Part #	Size	A	Body Size	Pkg Qty
EQBF640400	1/4	1.01	.37	10
EQBF640600	3/8	1.07	.5	10
EQBF640800	1/2	1.26	.62	5
EQBF641000	5/8	1.32	.69	5

BRASS DOT PUSH-IN MALE CONNECTOR

Part #	Size	OAL	Hex	Pkg Qty
EQBF685322	5/32 X 1/8	.79	7/16	10
EQBF680402	1/4 X 1/8	.96	7/16	10
EQBF680404	1/4 X 1/4	.88	9/16	10
EQBF680406	1/4 X 3/8	1.2	11/16	10
EQBF680602	3/8 X 1/8	1.16	11/16	10
EQBF680604	3/8 X 1/4	1.19	11/16	10
EQBF680606	3/8 X 3/8	1T	11/16	10
EQBF680608	3/8 X 1/2	1.1	7/8	10
EQBF680804	1/2 X 1/4	1.68	7/8	5
EQBF680806	1/2 X 3/8	1.64	7/8	5



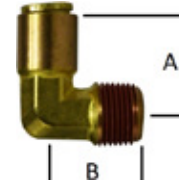
Part #	Size	OAL	Hex	Pkg Qty
EQBF680808	1/2 X 1/2	1.72	7/8	5
EQBF681006	5/8 X 3/8	1.87	1 1/16	5
EQBF681008	5/8 X 1/2	2.12	1 1/16	5
EQBF681208	3/4 X 1/2	2.11	1 3/16	5
EQBF681212	3/4 X 3/4	2.03	1 3/16	5

HOSE, PIPE, TUBES & FITTINGS

BRASS DOT PUSH-IN FITTINGS

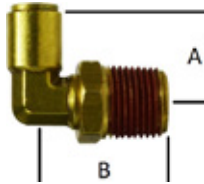
BRASS DOT PUSH-IN MALE 90° ELBOW

Part #	Size	A	B	Body Size	Pkg Qty
EQBF690402	1/4 X 1/8	1.02	1.02	.55	10
EQBF690404	1/4 X 1/4	.87	1.02	.71	10
EQBF690406	1/4 X 3/8	.94	1.1	.87	10
EQBF690602	3/8 X 1/8	1.08	.87	.9	10
EQBF690604	3/8 X 1/4	1.01	1.02	.9	10
EQBF690606	3/8 X 3/8	1.14	1.1	.9	10
EQBF690608	3/8 X 1/2	1.14	1.38	.94	10
EQBF690804	1/2 X 1/4	1.22	1.14	.87	5



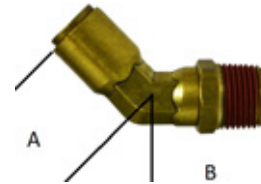
Part #	Size	A	B	Body Size	Pkg Qty
EQBF690806	1/2 X 3/8	1.26	1.14	.87	5
EQBF690808	1/2 X 1/2	1.28	1.38	.94	5
EQBF691006	5/8 X 3/8	1.44	1.22	.87	5
EQBF691008	5/8 X 1/2	1.54	1.42	1.18	5

BRASS DOT PUSH-IN MALE 90° SWIVEL ELBOW



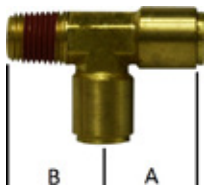
Part #	Size	A	B	Hex	Pkg Qty
EQBF690402S	1/4 X 1/8	.98	.91	7/16	10
EQBF690404S	1/4 X 1/4	1.02	.88	9/16	10
EQBF690604S	3/8 X 1/4	1.15	1.05	11/16	10
EQBF690606S	3/8 X 3/8	1.1	1.23	9/16	10
EQBF690806S	1/2 X 3/8	1.27	1.42	7/8	5
EQBF690808S	1/2 X 1/2	1.27	1.62	7/8	5
EQBF690608	3/8 X 1/2	1.14	1.38	.94	10

BRASS DOT PUSH-IN MALE 45° SWIVEL ELBOW



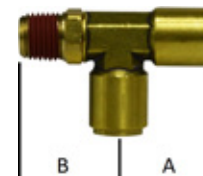
Part #	Size	A	B	Hex	Pkg Qty
EQBF540402S	1/4 X 1/8	.99	.98	7/16	10
EQBF540404S	1/4 X 1/4	.77	.94	9/16	10
EQBF540602S	3/8 X 1/8	1.07	1.08	7/16	10
EQBF540604S	3/8 X 1/4	1.07	1.13	9/16	10
EQBF540606S	3/8 X 3/8	1.08	1.23	11/16	10
EQBF540804S	1/2 X 1/4	1.22	1.22	9/16	5
EQBF540806S	1/2 X 3/8	1.2	1.31	11/16	5
EQBF540808S	1/2 X 1/2	1.2	1.61	7/8	5

BRASS DOT PUSH-IN MALE RUN TEE



Part #	Size	A	B	Body Size	Pkg Qty
EQBF710402	1/4 X 1/8	.88	.79	.55	10
EQBF710404	1/4 X 1/4	.95	.96	.43	10
EQBF710604	3/8 X 1/4	1.09	.96	.71	10
EQBF710606	3/8 X 3/8	1.06	1.1	.5	10
EQBF710806	1/2 X 3/8	1.3	1.14	.87	5

BRASS DOT PUSH-IN MALE SWIVEL RUN TEE

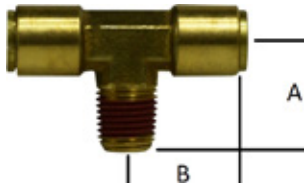


Part #	Size	A	B	Hex	Pkg Qty
EQBF710402S	1/4 X 1/8	1.01	1.01	7/16	10
EQBF710404S	1/4 X 1/4	.88	1.23	9/16	10
EQBF710604S	3/8 X 1/4	1.07	1.07	9/16	10
EQBF710606S	3/8 X 3/8	1.06	1.17	1/2	10
EQBF710804S	1/2 X 1/4	1.21	1.22	9/16	5
EQBF710806S	1/2 X 3/8	1.24	1.28	5/8	5
EQBF710808S	1/2 X 1/2	1.24	1.58	5/8	5

BRASS DOT PUSH-IN FITTINGS & FORGED BRASS VALVES

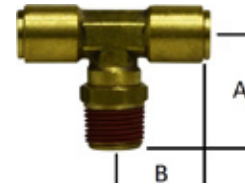
BRASS DOT PUSH-IN FITTINGS

BRASS DOT PUSH-IN MALE BRANCH TEE



Part #	Size	A	B	Body Size	Pkg Qty
EQBF720402	1/4 X 1/8	.79	.85	.55	10
EQBF720404	1/4 X 1/4	.96	.89	.43	10
EQBF720604	3/8 X 1/4	.96	1.08	.71	10
EQBF720606	3/8 X 3/8	1.1	1.14	.77	10
EQBF720804	1/2 X 1/4	1.13	1.22	.87	5
EQBF720806	1/2 X 3/8	1.07	1.26	.62	5
EQBF720808	1/2 X 1/2	1.42	1.34	.94	5

BRASS DOT PUSH-IN MALE SWIVEL BRANCH TEE

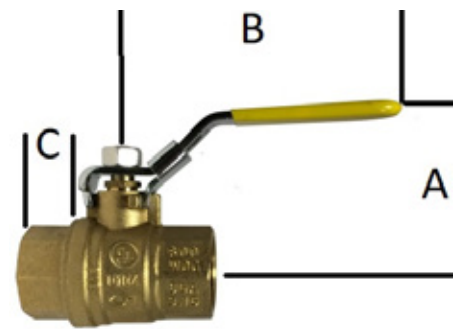


Part #	Size	A	B	Hex	Pkg Qty
EQBF720402S	1/4 X 1/8	.91	.83	7/16	10
EQBF720404S	1/4 X 1/4	1.04	1.01	9/16	10
EQBF720604S	3/8 X 1/4	1.1	1.1	9/16	10
EQBF720606S	3/8 X 3/8	1.25	2.06	11/16	10
EQBF720804S	1/2 X 1/4	1.39	1.28	7/8	5
EQBF720806S	1/2 X 3/8	1.26	1.31	11/16	5
EQBF720808S	1/2 X 1/2	1.26	1.61	7/8	5

FORGED BRASS VALVES

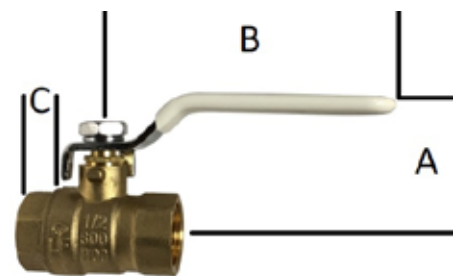
FULL PORT • 600 PSI

Part #	Size	Length	A	B	C	Hex
EQBF940171	1/4	1.75	1.92	3.54	0.46	25/32
EQBF940172	3/8	1.75	1.92	3.54	0.46	25/32
EQBF940173	1/2	2.05	2.08	3.54	0.52	1
EQBF940174	3/4	2.36	2.30	3.78	0.56	1 1/4
EQBF940175	1	2.75	2.68	4.52	0.66	1 1/2
EQBF940176	1 1/4	3.30	3.14	4.52	0.70	1 13/16
EQBF940177	1 1/2	3.66	3.61	5.51	0.72	2 3/32
EQBF940178	2	4.18	3.68	5.51	0.74	2 5/8



LEAD FREE • FULL PORT • 600 PSI

Part #	Size	Length	A	B	C
EQBF940154LF	3/4	2.28	1.89	3.35	.563



HOSE, PIPE, TUBES & FITTINGS

IRON PIPE FITTINGS

These quality Iron Pipe Fittings are made with better molds to reduce parting lines and rough edges which results in better fluid flow. All are pressure tested to 300# class.

BLACK STEEL NIPPLES SCHEDULE 40

Part #	Size	Pkg Qty
EQPF57001	1/8 X CLOSE (3/4)	10
EQPF57002	1/8 X 1 1/2	10
EQPF57003	1/8 X 2	10
EQPF57004	1/8 X 2 1/2	10
EQPF57005	1/8 X 3	10
EQPF57007	1/8 X 4	10
EQPF57009	1/8 X 5	10
EQPF57011	1/8 X 6	10
EQPF57020	1/4 X CLOSE (7/8)	10
EQPF57021	1/4 X 1 1/2	10
EQPF57022	1/4 X 2	10
EQPF57023	1/4 X 2 1/2	10
EQPF57024	1/4 X 3	10
EQPF57026	1/4 X 4	10
EQPF57028	1/4 X 5	10
EQPF57030	1/4 X 6	10
EQPF57040	3/8 X CLOSE (1")	10
EQPF57041	3/8 X 1-1/2	10
EQPF57042	3/8 X 2	10
EQPF57043	3/8 X 2 1/2	10
EQPF57044	3/8 X 3	10
EQPF57046	3/8 X 4	10
EQPF57048	3/8 X 5	10
EQPF57050	3/8 X 6	10
EQPF57060	1/2 X CLOSE (1 1/8)	5
EQPF57061	1/2 X 1-1/2	5
EQPF57062	1/2 X 2	5
EQPF57063	1/2 X 2-1/2	5



Part #	Size	Pkg Qty
EQPF57064	1/2 X 3	5
EQPF57066	1/2 X 4	5
EQPF57068	1/2 X 5	5
EQPF57070	1/2 X 6	5
EQPF57080	3/4 X CLOSE (1 3/8)	5
EQPF57081	3/4 X 1-1/2	5
EQPF57082	3/4 X 2	5
EQPF57083	3/4 X 2 1/2	5
EQPF57084	3/4 X 3	5
EQPF57086	3/4 X 4	5
EQPF57088	3/4 X 5	5
EQPF57090	3/4 X 6	5
EQPF57100	1 X CLOSE (1 1/2)	5
EQPF57101	1 X 2	5
EQPF57102	1 X 2 1/2	5
EQPF57103	1 X 3	5
EQPF57105	1 X 4	5
EQPF57107	1 X 5	5
EQPF57109	1 X 6	5
EQPF57120	1-1/4 X CLOSE (1 5/8)	3
EQPF57125	1 1/4 X 4	3
EQPF57140	1-1/2 X CLOSE (1 3/4)	3
EQPF57160	2 X CLOSE (2)	3

STEEL REDUCING HEX NIPPLES

Part #	Size	Pkg Qty
EQPF540464	3/8 X 1/4	10



HOSE, PIPE, TUBES & FITTINGS

IRON PIPE FITTINGS

BLACK STEEL MERCHANT COUPLING

Part #	Size	OD	Length	Pkg Qty
EQPF65770	1/8	.59	.78	10
EQPF65771	1/4	.73	1.18	10
EQPF65772	3/8	.86	1.18	10
EQPF65773	1/2	1.06	1.56	5
EQPF65774	3/4	1.31	1.62	5
EQPF65775	1	1.57	2	5



Part #	Size	OD	Length	Pkg Qty
EQPF65776	1 1/4	1.9	2.06	3
EQPF65777	1 1/2	2.2	2.06	3
EQPF65778	2	2.75	2.12	3

BLACK STEEL HALF MERCHANT COUPLINGS

Part #	Size	Pkg Qty
EQPF65771H	1/4	10
EQPF65772H	3/8	10
EQPF65773H	1/2	5



BLACK IRON REDUCING COUPLINGS

Part #	Size	Length	Pkg Qty
EQPF65430	1/4 X 1/8	1	10
EQPF65431	3/8 X 1/8	1.13	10
EQPF65432	3/8 X 1/4	1.13	10
EQPF65433	1/2 X 1/8	1.25	5
EQPF65434	1/2 X 1/4	1.25	5
EQPF65435	1/2 X 3/8	1.25	5
EQPF65439	3/4 X 1/8	1.44	5
EQPF65436	3/4 X 1/4	1.44	5
EQPF65437	3/4 X 3/8	1.44	5



Part #	Size	Length	Pkg Qty
EQPF65438	3/4 X 1/2	1.44	5
EQPF65459	1 X 1/4	1.69	5
EQPF65440	1 X 3/8	1.69	5
EQPF65441	1 X 1/2	1.69	5
EQPF65442	1 X 3/4	1.69	5

BLACK IRON UNIONS

Part #	Size	Length	Pkg Qty
EQPF65600	1/8	1.26	10
EQPF65601	1/4	1.44	10
EQPF65602	3/8	1.61	10
EQPF65603	1/2	1.72	5
EQPF65604	3/4	1.94	5
EQPF65605	1	2.06	5
EQPF65606	1 1/4	2.26	3
EQPF65607	1 1/2	2.41	3
EQPF65608	2	2.75	3



HOSE, PIPE, TUBES & FITTINGS

IRON PIPE FITTINGS

BLACK STEEL REDUCER BUSHINGS

Part #	Size (M X F)	Length	Hex Size	Pkg Qty
EQPF67500	1/4 X 1/8	0.63	5/8	10
EQPF67501	3/8 X 1/8	0.66	11/16	10
EQPF67502	3/8 X 1/4	0.66	11/16	10
EQPF67503	1/2 X 1/8	0.8	7/8	5
EQPF67504	1/2 X 1/4	0.8	7/8	5
EQPF67505	1/2 X 3/8	0.8	7/8	5



BLACK IRON REDUCER BUSHINGS

Part #	Size (M X F)	Length	Hex Size	Pkg Qty
EQPF65506	3/4 X 1/8	0.85	1 5/32	5
EQPF65507	3/4 X 1/4	0.85	1 5/32	5
EQPF65508	3/4 X 3/8	0.85	1 5/32	5
EQPF65509	3/4 X 1/2	0.93	1 5/32	5
EQPF65510	1 X 1/4	1.13	1 1/8	5
EQPF65511	1 X 3/8	1.13	1 1/8	5
EQPF65512	1 X 1/2	1.1	1 7/16	5
EQPF65513	1 X 3/4	1.1	1 7/16	5
EQPF65514	1-1/4 X 1/4	1.24	1 1/8	3
EQPF65515	1-1/4 X 3/8	1.24	1 1/8	3
EQPF65516	1-1/4 X 1/2	1.24	1 1/4	3
EQPF65517	1-1/4 X 3/4	1.08	1 3/4	3
EQPF65518	1-1/4 X 1	1.08	1 3/4	3
EQPF65519	1-1/2 X 1/4	1.3	1 1/8	3
EQPF65520	1-1/2 X 3/8	1.3	1 1/8	3
EQPF65521	1-1/2 X 1/2	1.3	1 11/32	3



Part #	Size (M X F)	Length	Hex Size	Pkg Qty
EQPF65522	1-1/2 X 3/4	1.3	1 7/16	3
EQPF65523	1-1/2 X 1	1.23	2	3
EQPF65524	1-1/2 X 1-1/4	1.23	2	3
EQPF65525	2 X 3/8	1.28	1 1/8	3
EQPF65527	2 X 1/2	1.39	1 11/32	3
EQPF65528	2 X 3/4	1.39	1 5/8	3
EQPF65529	2 X 1	1.39	1 3/4	3
EQPF65530	2 X 1-1/4	1.5	2 1/2	3
EQPF65531	2 X 1 1/2	1.5	2 1/2	3

BLACK IRON 90° ELBOWS

Part #	Size	A	Pkg Qty
EQPF65100	1/8	0.69	10
EQPF65101	1/4	0.81	10
EQPF65102	3/8	0.95	10
EQPF65103	1/2	1.12	5
EQPF65104	3/4	1.31	5
EQPF65105	1	1.5	5
EQPF65106	1 1/4	1.75	3
EQPF65107	1 1/2	1.94	3
EQPF65108	2	2.25	3



IRON PIPE FITTINGS

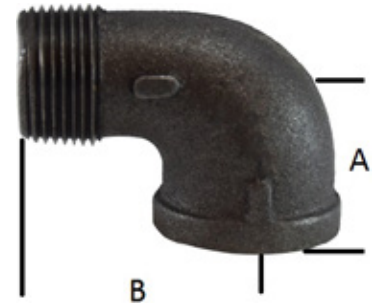
BLACK IRON 45° ELBOWS

Part #	Size	A	Pkg Qty
EQPF65180	1/8	0.63	10
EQPF65181	1/4	0.73	10
EQPF65182	3/8	0.8	10
EQPF65183	1/2	0.88	5
EQPF65184	3/4	0.98	5
EQPF65185	1	1.12	5
EQPF65186	1 1/4	1.29	3
EQPF65187	1 1/2	1.43	3
EQPF65188	2	1.68	3



BLACK IRON 90° STREET ELBOWS

Part #	Size	A	B	Pkg Qty
EQPF65160	1/8	0.69	1	10
EQPF65161	1/4	0.8	1.17	10
EQPF65162	3/8	0.95	1.48	10
EQPF65163	1/2	1.1	1.59	5
EQPF65164	3/4	1.28	1.85	5
EQPF65165	1	1.47	2.1	5
EQPF65166	1 1/4	1.75	2.57	3
EQPF65167	1 1/2	1.9	2.63	3
EQPF65168	2	2.21	3.19	3



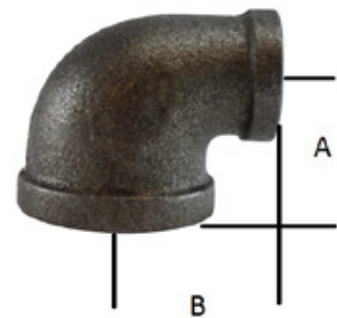
BLACK IRON 45° STREET ELBOWS

Part #	Size	A	B	Pkg Qty
EQPF65200	1/8	0.63	0.83	10
EQPF65201	1/4	0.73	0.94	10
EQPF65202	3/8	0.8	1.03	10
EQPF65203	1/2	0.86	1.3	5
EQPF65204	3/4	0.96	1.48	5
EQPF65205	1	1.1	1.69	5
EQPF65206	1 1/4	1.26	1.87	3
EQPF65207	1 1/2	1.4	2.05	3



BLACK IRON 90° REDUCING ELBOWS

Part #	Size	A	B	Pkg Qty
EQPF65122	3/8 X 1/4	0.88	0.9	10
EQPF65123	1/2 X 1/4	0.97	0.98	5
EQPF65124	1/2 X 3/8	1.04	1.03	5
EQPF65126	3/4 X 3/8	1.12	1.13	5
EQPF65127	3/4 X 1/2	1.2	1.22	5
EQPF65130	1 X 1/2	1.26	1.4	5
EQPF65131	1 X 3/4	1.37	1.45	5
EQPF65207	1 1/2	1.4	2.05	3

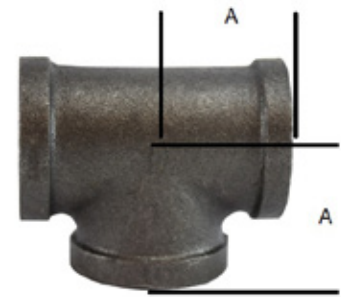


HOSE, PIPE, TUBES & FITTINGS

IRON PIPE FITTINGS

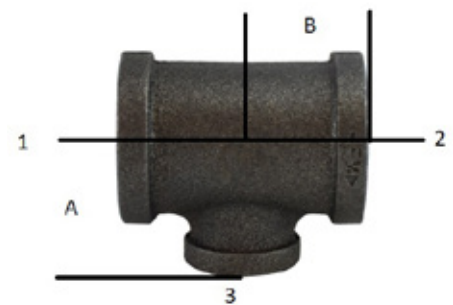
BLACK IRON TEES

Part #	Size	A	Pkg Qty
EQPF65250	1/8	0.69	10
EQPF65251	1/4	0.81	10
EQPF65252	3/8	0.95	10
EQPF65253	1/2	1.12	5
EQPF65254	3/4	1.31	5
EQPF65255	1	1.5	5
EQPF65256	1 1/4	1.75	3
EQPF65257	1 1/2	1.94	3
EQPF65258	2	2.26	3



BLACK IRON REDUCING BRANCH TEES

Part #	Size (1 & 2) X 3	A	B	Pkg Qty
EQPF65273	3/8 X 1/4	0.81	0.9	10
EQPF65276	1/2 X 1/4	0.97	0.98	5
EQPF65279	1/2 X 3/8	1.04	1.03	5
EQPF65282	3/4 X 1/4	1.05	1.08	5
EQPF65283	3/4 X 3/8	1.12	1.13	5
EQPF65286	3/4 X 1/2	1.2	1.18	5
EQPF65268	1 X 1/4	1.11	1.22	5
EQPF65269	1 X 3/8	1.18	1.27	5
EQPF65291	1 X 1/2	1.26	1.4	5
EQPF65298	1 X 3/4	1.37	1.45	5
EQPF65328	2 X 3/4	1.6	1.97	3



BLACK IRON CROSSES

Part #	Size	Length	Pkg Qty
EQPF65390	1/8	1.3	10
EQPF65391	1/4	1.6	10
EQPF65392	3/8	1.9	10
EQPF65393	1/2	2.24	5
EQPF65394	3/4	2.62	5
EQPF65395	1	1.5	5



BLACK STEEL HEX CAPS

Part #	Size	Length	Hex	Pkg Qty
EQPF67470	1/8	0.53	9/16	10



IRON PIPE FITTINGS

BLACK IRON CAPS

Part #	Size	Length	Pkg Qty
EQPF65471	1/4	0.62	10
EQPF65472	3/8	0.74	10
EQPF65473	1/2	0.87	5
EQPF65474	3/4	0.97	5
EQPF65475	1	1.16	5
EQPF65476	1 1/4	1.28	3
EQPF65477	1 1/2	1.33	3
EQPF65478	2	1.45	3
EQPF65188	2	1.68	3



BLACK STEEL SQUARE PLUGS

Part #	Size	Thread Length	Square Height	Square Width	Pkg Qty
EQPF67670	1/8	0.33	0.24	0.28	10
EQPF67671	1/4	0.45	0.38	0.37	10
EQPF67672	3/8	0.5	0.31	0.43	10



BLACK IRON SQUARE PLUGS

Part #	Size	Thread Length	Square Height	Square Width	Pkg Qty
EQPF65653	1/2	0.58	0.38	0.56	5
EQPF65654	3/4	0.65	0.44	0.63	5
EQPF65655	1	0.75	0.5	0.82	5
EQPF65656	1 1/4	0.82	0.56	0.94	3
EQPF65657	1 1/2	0.85	0.62	1.13	3
EQPF65658	2	0.98	0.68	1.31	3



BLACK STEEL HEX PLUGS

Part #	Size	Length	Hex	Pkg Qty
EQPF67774	3/4	0.94	1 1/16	5



GALVANIZED STEEL HOSE BARB X MALE PIPE ADAPTERS

Part #	Size	Pkg Qty
EQPF973906	1/2	5
EQPF973907	3/4	5
EQPF973908	1	5
EQPF973909	1 1/4	3
EQPF973910	1 1/2	3
EQPF973911	2	3



HOSE, PIPE, TUBES & FITTINGS

PNEUMATIC FITTINGS & QUICK DISCONNECTS

These couplings are widely used to connect compressed air and low pressure fluid lines. They are rated for 250# PSI and -4° to 176°F.

STEEL FEMALE COUPLER INDUSTRIAL INTERCHANGE



Part #	Body Size	Thread Size	Pkg Qty
EQAF28540S	1/4	1/4	10
EQAF98810	3/8	1/4	10
EQAF98811	3/8	3/8	10

BRASS FEMALE COUPLER INDUSTRIAL INTERCHANGE



Part #	Body Size	Thread Size	Pkg Qty
EQAF28540	1/4	1/4	10

STEEL MALE COUPLER INDUSTRIAL INTERCHANGE



Part #	Body Size	Thread Size	Pkg Qty
EQAF28552S	1/4	1/4	10

STEEL FEMALE PLUG INDUSTRIAL INTERCHANGE



Part #	Body Size	Thread Size	Pkg Qty
EQAF28534	1/4	1/4	10
EQAF98802	3/8	3/8	10
EQAF99803	1/2	1/2	5

STEEL MALE PLUG INDUSTRIAL INTERCHANGE



Part #	Body Size	Thread Size	Pkg Qty
EQAF28546	1/4	1/4	10
EQAF98814	3/8	1/4	10
EQAF28547	1/4	3/8	10
EQAF98815	3/8	3/8	10

STEEL PUSH ON HOSE BARB COUPLER INDUSTRIAL INTERCHANGE



Part #	Body Size	Hose Barb	Pkg Qty
EQAF28565S	1/4	1/4	10
EQAF28566S	1/4	3/8	10
EQAF98842	3/8	3/8	10

HOSE, PIPE, TUBES & FITTINGS

PNEUMATIC FITTINGS & QUICK DISCONNECTS

STEEL PUSH ON HOSE BARB PLUG INDUSTRIAL INTERCHANGE



Part #	Body Size	Hose Barb	Pkg Qty
EQAF28558	1/4	1/4	10
EQAF28561	1/4	3/8	10
EQAF98830	3/8	3/8	10

STEEL HOSE BARB COUPLER INDUSTRIAL INTERCHANGE



Part #	Body Size	Hose Barb	Pkg Qty
EQAF98841	3/8	3/8	10

STEEL HOSE BARB PLUG INDUSTRIAL INTERCHANGE



Part #	Body Size	Hose Barb	Pkg Qty
EQAF98828	3/8	3/8	10

BRASS FEMALE COUPLER ARO 210 INTERCHANGE



Part #	Body Size	Thread Size	Pkg Qty
EQAF28584	1/4	1/4	10

BRASS MALE COUPLER ARO 210 INTERCHANGE



Part #	Body Size	Thread Size	Pkg Qty
EQAF28593	1/4	1/4	10

STEEL FEMALE PLUG ARO 210 INTERCHANGE



Part #	Body Size	Thread Size	Pkg Qty
EQAF28578	1/4	1/4	10

STEEL MALE PLUG ARO 210 INTERCHANGE



Part #	Body Size	Thread Size	Pkg Qty
EQAF28587	1/4	1/4	10

HOSE, PIPE, TUBES & FITTINGS

PNEUMATIC FITTINGS & QUICK DISCONNECTS

BALL FOOT CHUCK



Part #	Thread Size	Pkg Qty
EQAF46600	1/4	10

ANGLE FOOT CHUCK



Part #	Thread Size	Pkg Qty
EQAF320005	1/4	5

HEAVY DUTY SAFETY BLOW GUN



Part #	Thread Size	Pkg Qty
EQAF320054	1/4	5

HOSE CLAMPS

WORM GEAR • PART STAINLESS

Part #	Size	Clamp Range	Box Quantity
AHC004	#4	7/32-5/8	10
AHC006	#6	7/16-25/32	10
AHC008	#8	7/16-1	10
AHC010	#10	1/2-1 1/16	10
AHC012	#12	1/2-1 1/4	10
AHC016	#16	11/16-1 1/2	10
AHC020	#20	3/4-1 3/4	10
AHC024	#24	1 1/16-2	10
AHC028	#28	1 1/4-2 1/4	10
AHC032	#32	1 9/16-2 1/2	10
AHC036	#36	1 13/16-2 3/4	10
AHC040	#40	2-3	10
AHC044	#44	2 1/4-3 1/4	10
AHC048	#48	2 1/2-3 1/2	10
AHC052	#52	2 3/4-3 3/4	10
AHC056	#56	2 1/8-4	10
AHC064	#64	2 1/2-4 1/2	10
AHC072	#72	3-5	10
AHC104	#104	5-7	10

Part #	Size	Clamp Range	Box Quantity
AHCI010*	#10	9/16-1 1/16	10
AHCI012*	#12	9/16-1 1/4	10
AHCI016*	#16	11/16-1 1/2	10
AHCI020	#20	3/4-1 3/4	10
AHCI024*	#24	1 1/16-2	10
AHCI028*	#28	1 5/16-2 1/4	10
AHCI032*	#32	1 9/16-2 1/2	10
AHCI036*	#36	1 13/16-2 3/4	10

*Non-Stock. 1-2 week lead time.

WORM GEAR • ALL STAINLESS

Part #	Size	Clamp Range	Box Quantity
AHCSS004	#4	1/4-5/8	10
AHCSS006	#6	5/16-7/8	10
AHCSS008	#8	7/16-1	10
AHCSS010	#10	1/2-1 1/16	10
AHCSS012	#12	1/2-1 1/4	10
AHCSS016	#16	11/16-1 1/2	10
AHCSS020	#20	3/4-1 3/4	10
AHCSS024	#24	1-2	10
AHCSS028	#28	1 1/4-2 1/4	10
AHCSS032	#32	1 1/2-2 1/2	10
AHCSS036	#36	1 3/4-2 3/4	10



These hose clamps are part stainless steel. The band is stainless steel and the screw and the screw housing are zinc plated steel. The #4 and #6 hose clamps have a 5/16" wide band, the #8 through #36 hose clamps have a 1/2" wide band, and the #40 through #104 hose clamps have a 9/16" wide band.

These hose clamps are also part stainless steel. The band and the screw housing are stainless steel and the screw is zinc plated steel. The band is 9/16 wide.

These hose clamps are all stainless steel. The #4 and #6 hose clamps have a 5/16" wide band, the #8 through #36 hose clamps have a 1/2" wide band.

HOSE CLAMPS, MUFFLER CLAMPS, & MUFFLER HANGERS

HOSE CLAMPS

WIRE TYPE • STEEL

Part #	Hose OD	Box Quantity
AV05354	9/16	50



SPRING ACTION • SPRING STEEL

Part #	Hose OD	Max Clamp Dia. In Free Position	Clamp Width	Box Quantity
AV12684	1/2	0.460	5/16	100



These clamps are phosphate coated and painted.

MUFFLER CLAMPS

HEAVY DUTY

Part #	Size	Case Quantity
AMC12	1 1/2	50
AMC14	1 3/4	50
AMC15	1 7/8	50
AMC16	2	50
AMC17	2 1/8	50
AMC18	2 1/4	50

Part #	Size	Case Quantity
AMC20	2 1/2	50
AMC22	2 3/4	50
AMC24	3	50
AMC28	3 1/2	50
AMC32	4	50

Heavy Duty Muffler Clamps feature a 3/8 U-bolt.

MUFFLER HANGERS

SWIVELER

Part #	Description
ASWL	SWIVELER MUFFLER HANGER



The Swiveler is a heavy duty universal 360° muffler hanger.

BRAKE LINES

POLY-VINYL COATED STEEL

Part #	Size	Tube Quantity
ABLP0308	3/16 X 8	10
ABLP0312	3/16 X 12	10
ABLP0320	3/16 X 20	10
ABLP0330	3/16 X 30	10
ABLP0340	3/16 X 40	10
ABLP0351	3/16 X 51	10
ABLP0360	3/16 X 60	10
ABLP0408	1/4 X 8	10
ABLP0412	1/4 X 12	10
ABLP0420	1/4 X 20	10
ABLP0430	1/4 X 30	10
ABLP0440	1/4 X 40	10
ABLP0451	1/4 X 51	10
ABLP0460	1/4 X 60	10
ABLP0508	5/16 X 8	5
ABLP0512	5/16 X 12*	5
ABLP0520	5/16 X 20	5
ABLP0530	5/16 X 30*	5
ABLP0540	5/16 X 40*	5
ABLP0551	5/16 X 51*	5
ABLP0560	5/16 X 60*	5

Part #	Size	Tube Quantity
ABLCP0325	3/16 X 25' COIL	-
ABLCP0425	1/4 X 25' COIL	-
ABLN03	3/16 BRAKE LINE NUT	5
ABLN04	1/4 BRAKE LINE NUT	5
ABLU03	3/16 BRAKE LINE UNION	5
ABLU04	1/4 BRAKE LINE UNION	5
ABLU05	5/16 BRAKE LINE UNION	5



Poly-Vinyl Coated Steel Brake Line has a rust and abrasion preventative coating which gives up to 30 times the corrosion protection.

Non-stock. We will stock these items as we run out of steel brake lines.

PREMIUM FUEL LINE, FUEL INJECTION HOSE, & HEATER HOSE

PREMIUM FUEL LINE

Part #	Size	Roll Size
AFLT3	3/16	25'
AFLT4	1/4	25'
AFLT5	5/16	25'
AFLT6	3/8	25'
AFLT4250	1/4	250'
AFLT5250	5/16	250'
AFLT6250	3/8	250'

Premium Fuel Line is compliant with E-85, diesel, and bio-diesel fuels. It is similar to SAE J30R7 specs. Temperature range is -40° F to 257° F.



FUEL INJECTION HOSE

Part #	Size	Roll Size
AHF14	1/4	10'
AHF15	5/16	10'
AHF16	3/8	10'

Fuel Injection Hose meets J30R9 specs. Temperature range is -29° F to 275° F.



HEATER HOSE

STANDARD BLACK

Part #	Size	Roll Size
AHH5250	5/8	250'
AHH6250	3/4	250'

Standard Black Heater Hose meets TH-STD-HH specs. Temperature range is -40° F to 212° F.

PREMIUM RED

Part #	Size	Roll Size
AHHR4	1/2	50'
AHHR5	5/8	50'
AHHR6	3/4	50'
AHHR8	1	50'

Premium Red Heater Hose is similar to specs SAE20R3 Class D2, and SAE J2387. Temperature range is -40° F to 257° F.



AIR HOSE & WINDSHIELD WIPER/VACUUM TUBING

AIR HOSE

COILED YELLOW NYLON

Part #	Size	Hose Length
AHA50	1/4	50'



WINDSHIELD WIPER/VACUUM TUBING

Part #	Size	Fits Nipple	Roll Size
AWVTAGW18	7/64	1/8	50'
AWVTAGW316	5/32*	3/16	50'
AWVTAGW14	7/32*	1/4	50'
AWVTAGW516	9/32	5/16	50'



Windshield Wiper/Vacuum Tubing is similar to SAE J1037 specs. Temperature range is -40° F to 257° F.

*Non-stock. Lead time is 3-10 days.

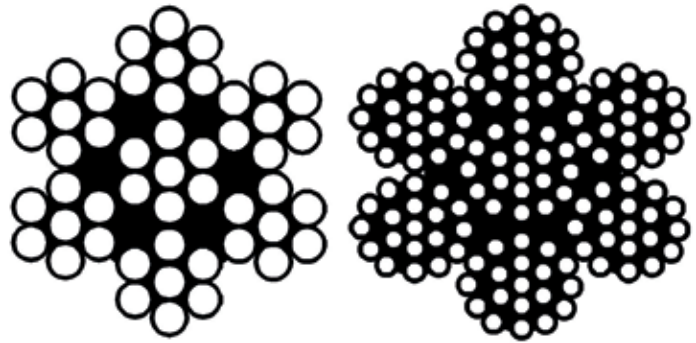
SECTION 6: TOWING, CHAIN, & CABLE



GALVANIZED STEEL CABLE & WIRE ROPE CLIPS (CABLE CLAMPS)

GALVANIZED STEEL CABLE

Part #	Size	Construction	Feet per Roll	Working Load Limit*
EQGC1250	1/16	7 X 7	250'	96
EQGC15500	3/32	7 X 7	500'	184
EQGC20707500	1/8	7 X 7	500'	340
EQGC2250	1/8	7 X 19	250'	400
EQGC20719500	1/8	7 X 19	500'	400
EQGC3250	3/16	7 X 19	250'	840
EQGC3500	3/16	7 X 19	500'	840
EQGC31000	3/16	7 X 19	1000'	840
EQGC4250	1/4	7 X 19	250'	1400
EQGC4500	1/4	7 X 19	500'	1400
EQGC41000	1/4	7 X 19	1000'	1400
EQGC5250	5/16	7 X 19	250'	1960
EQGC5500	5/16	7 X 19	500'	1960
EQGC6250	3/8	7 X 19	250'	2880
EQGC6500	3/8	7 X 19	500'	2880



7 x 7

7 x 19

We only sell cable by the roll. If an exact length is needed we can special order it. Lead time is 3-6 days for special orders.

*Working load limit is based on a design factor of 5:1. Never exceed working load limit!
We have many other sizes and types of cable and cable fittings available in 3-6 days.

CLEAR VINYL COATED

Part #	Size	Construction	Feet per Roll	Working Load Limit*
EQGC2250V	1/8 VINYL COATED TO 3/16	7 X 19	250'	400
EQGC2500V	1/8 VINYL COATED TO 3/16	7 X 19	500'	400
EQGC21000V	1/8 VINYL COATED TO 3/16	7 X 19	1000'	400

WIRE ROPE CLIPS (CABLE CLAMPS)



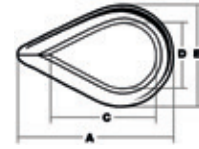
Malleable Cable Clamps are intended for use in making an eye termination in cable. Such assembly is for non-critical light duty use so no efficiency rating is given. The base is made of of cast iron and the U-bolt and nuts are steel.

Part #	Size	Min # of Clips per Eye	Amount of Rope to Turn Back	Required Torque Ft. Lbs.
EQCC1	1/16	2	4 3/4"	1.5
EQCC2	1/8	3	4 3/4"	3
EQCC3	3/16	3	5 1/2"	4.5
EQCC4	1/4	3	7"	15
EQCC5	5/16	3	7 3/4"	15
EQCC6	3/8	3	9 1/2"	30
EQCC8	1/2	4	15 1/4"	45
EQCC10	5/8	4	16"	75
EQCC12	3/4	5	22 1/4"	75

WIRE ROPE THIMBLES, WIRE ROPE SLEEVES, WIRE ROPE STOPS & 304 STAINLESS STEEL CABLE

WIRE ROPE THIMBLES

Part #	Size	A	B	C	D
EQWRT2	1/8	1.93	1.06	1.31	0.68
EQWRT3	3/16	1.93	1.06	1.31	0.68
EQWRT4	1/4	1.96	1.06	1.31	0.68
EQWRT5	5/16	2.12	1.25	1.50	0.81
EQWRT6	3/8	2.37	1.46	1.62	0.93

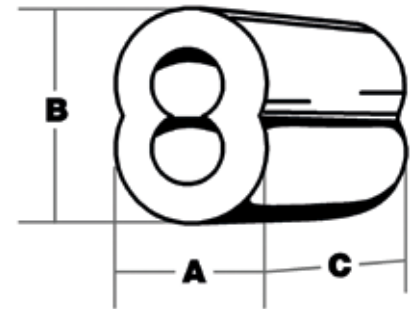


Wire Rope Thimbles are intended for use in making an eye termination in cable. Such assembly is for non-critical light duty use applications only.

WIRE ROPE SLEEVES

ALUMINUM • OVAL

Part #	Size	A	B	C
EQOWRS01	1/16	0.17	.25	0.38
EQOWRS015	3/32	0.28	0.40	0.50
EQOWRS02	1/8	0.34	0.50	0.63
EQOWRS03	3/16	0.44	0.67	1.00
EQOWRS04	1/4	0.54	0.82	1.13
EQOWRS05	5/16	0.69	1.03	1.25

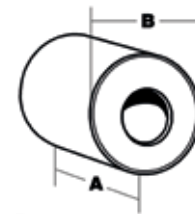


Wire Rope Sleeves are capable of supporting 90% of load strength of cable when properly applied.

WIRE ROPE STOPS

ALUMINUM

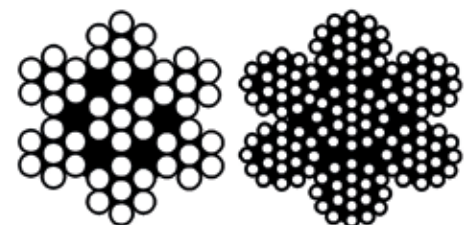
Part #	Size	A	B
EQACS2	1/8	0.34	.31
EQACS3	3/16	0.44	.34
EQACS4	1/4	0.69	.69



Wire Rope Stops are capable of supporting 1/3 the load strength of cable when properly attached.

304 STAINLESS STEEL CABLE

Part #	Size	Construction	Feet per Roll	Working Load Limit*
EQSSC1250	1/16	7 X 7	250'	96
EQSSC15250	3/32	7 X 7	250'	184
EQSSC2500	1/8	7 X 7	500'	340
EQSSC21000	1/8	7 X 19	1000'	340
EQSSC3250	3/16	7 X 19	250'	740
EQSSC3500	3/16	7 X 19	500'	740
EQSSC4250	1/4	7 X 19	250'	1280
EQSSC5250	5/16	7 X 19	250'	1800



7 x 7

7 x 19

We only sell cable by the roll. If an exact length is needed we can special order it. Lead time is 3-6 days for special orders.

*Working load limit is based on a design factor of 5:1. Never exceed working load limit!

STAINLESS STEEL WIRE ROPE CLIPS (CABLE CLAMPS) & TURNBUCKLES

STAINLESS STEEL WIRE ROPE CLIPS (CABLE CLAMPS)

Part #	Size	Min # of Clips per Eye	Amount of Rope to Turn Back
EQSSCC2	1/8	2	3 1/4"
EQSSCC3	3/16	2	3 3/4"
EQSSCC4	1/4	2	4 3/4"
EQSSCC5	5/16	2	5 1/4"
EQSSCC6	3/8	2	6 1/2"



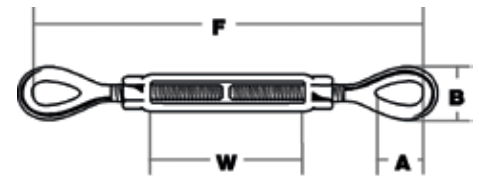
Stainless Steel Wire Rope Clips are intended for use in making an eye termination in cable. The efficiency rating of a properly prepared termination is 80% of the cable's strength.

TURNBUCKLES

Turnbuckles are drop forged and hot dip galvanized.

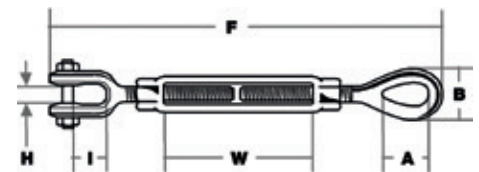
EYE-EYE

Part #	Size		A	B	F (Closed)
	Thread X Length (W)				
LCT0536EE	5/16 X 4 1/2		0.94	0.44	9.06
LCT0872	1/2 X 9		1.44	0.72	16.08
LCT1096	5/8 X 12		1.75	0.88	20.68



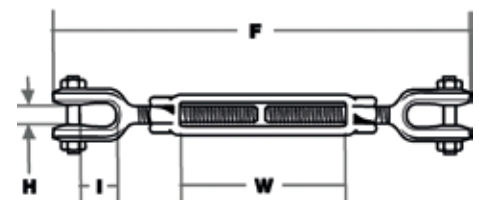
JAW-EYE

Part #	Size		A	B	F (Closed)	H	I
	Thread X Length (W)						
LCT0536	5/16 X 4 1/2		0.94	0.44	8.71	0.50	0.72
LCT0872EJ	1/2 X 9		1.44	0.72	15.29	0.65	1.06
LCT1096EJ	5/8 X 12		1.75	0.88	19.74	0.79	1.31



JAW-JAW

Part #	Size		F (Closed)	H	I
	Thread X Length (W)				
LCT0536JJ	5/16 X 4 1/2		8.36	0.5	0.87
LCT0658JJ	3/8 X 6		10.14	0.54	0.87
LCT0848JJ	1/2 X 6		11.5	0.65	1.06
LCT16192JJ	1 X 24		34.72	1.34	2.06



IDENTIFYING YOUR CHAIN

The first step in identifying Chains is to determine whether it is a WELDED chain or a WELDLESS chain.

WELDED CHAINS

HEAVY DUTY WELDED CHAINS

Heavy duty welded chains come in a number of grades and in sizes 3/16 and up.

Grade 30 Proof Coil Chain is usually zinc plated giving it a silver color and if it is marked will have a G3 or similar marking stamped on the links. It is the lightest duty of the heavy duty welded chains.



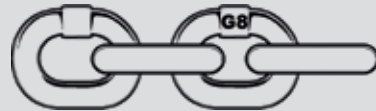
Grade 43 High Test Chain is usually plain finish giving it a dark gray color. If it is marked it will have a G4 or something similar stamped on the links.



Grade 70 Transport Chain is usually yellow zinc plated giving it a gold color. It is stamped with a G7 or something similar on the links.



Grade 80 Alloy Chain is usually black. It is stamped with a G8 or something similar on the links.



LIGHT DUTY WELDED CHAINS

Straight Link Machine Chain has short links and typically comes zinc plated giving it a silver color.



Straight Link Coil Chain has long links and typically comes zinc plated giving it a silver color.



Twist Link Machine Chain has short links with each link twisted 90 degrees. It typically comes zinc plated giving it a silver color.



WELDLESS CHAINS

Weldless chains contain no welds and each link is twisted to form the chain.

Double Loop Chain is twisted in two loops then twisted together in the middle so each link has a "double loop".



Single Jack chain is twisted into two loops but is not twisted together.



Sash Chain is made of small metal plates which interlock when they are bent into their finished shape.



CHAIN-PROOF COIL GRADE 30, 304 STAINLESS STEEL, HIGH TEST GRADE 43 & TRANSPORT GRADE 70

CHAIN-PROOF COIL GRADE 30

ZINC PLATED



Not for overhead lifting!

Proof Coil Chain is a general purpose chain. It is made of low carbon steel and is frequently used for tow chains and logging chains.

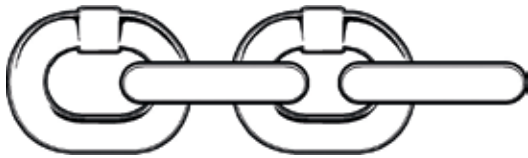
Part #	Size	Wire Dia.	Inside Width	Inside Length	Box Quantity	Drum Quantity	WLL
LCPCZ35	3/16	0.197	0.320	1.000	150	1500	750
LCPCZ3P	3/16	0.187	0.430	0.950	250	1500	750
LCPCZ3	3/16	0.217	0.400	0.950	150	1500	800
LCPCZ4	1/4	0.280	0.450	1.200	141	800	1300
LCPCZ5	5/16	0.320	0.590	1.270	92	550	1900
LCPCZ6	3/8	0.390	0.620	1.360	63	400	2650
LCPCZ8	1/2	0.510	0.750	1.700	40	200	4500

CHAIN-304 STAINLESS STEEL

Part #	Size	Wire Dia.	Inside Width	Inside Length	Box Quantity	Drum Quantity	WLL
LCPCSS2	1/8	0.125	0.25	0.94	100	-	620
LCPCSS3	3/16	0.187	0.31	1	100	1500	1150
LCPCSS4	1/4	0.250	0.31	1.24	100	800	2600

CHAIN-HIGH TEST GRADE 43

SELF COLORED



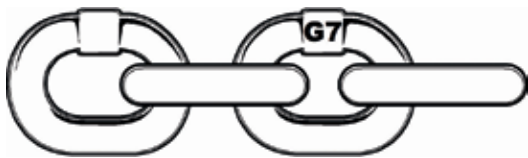
Not for overhead lifting!

High Test Chain is a higher strength chain made from a higher carbon steel. It's working load limits are approximately twice that of proof coil.

Part #	Size	Wire Dia.	Inside Width	Inside Length	Box Quantity	Drum Quantity	WLL
LCHTP5	5/16	0.340	0.470	1.270	92	550	3900
LCHTP6	3/8	0.390	0.570	1.360	63	400	5400

CHAIN-TRANSPORT GRADE 70

YELLOW CHROMATE FINISH



Not for overhead lifting!

Transport Chain is used primarily as a tie down for over-the-road equipment and is DOT approved for this. The yellow chromate plating makes it easily recognizable. It is made from heat treated carbon steel and has about 25% more strength than high test chains.

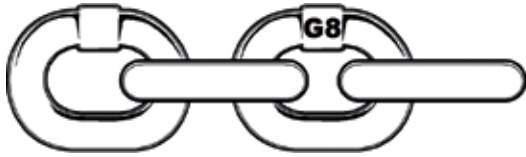
Part #	Size	Wire Dia.	Inside Width	Inside Length	Box Quantity	Drum Quantity	WLL
LC704	1/4	0.280	0.460	1.200	141	800	3150
LC705	5/16	0.340	0.480	1.290	92	550	4700
LC706	3/8	0.390	0.570	1.360	63	400	6600
LC708	1/2*	0.510	0.750	1.700	40	200	11300

*Lead time is 4-6 days on this size.

CHAIN-ALLOY GRADE 80 & CHAIN HOOKS

CHAIN-ALLOY GRADE 80

SELF COLORED OR BLACK LACQUER FINISH



Alloy Chain is designed and approved for overhead lifting. Its alloy, heat-treated steel makes it ideal for making lifting slings and heavy duty tow chains.

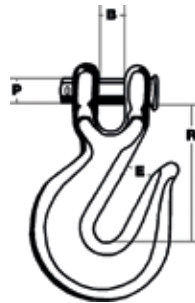
Part #	Size	Wire Dia.	Inside Width	Inside Length	Box Quantity	Drum Quantity	WLL
LC804	1/4	0.280	0.410	0.860	141	800	3500
LC805	5/16	0.320	0.460	0.940	92	550	4500
LC806	3/8	0.390	0.550	1.220	63	400	7100
LC808	1/2	0.510	0.750	1.570	40	200	12000

Need Grade 100 or Grade 120 chain? Call us for availability.

CHAIN HOOKS

CLEVIS GRAB • HIGH TEST

Part #	Size	B	E	P	R	WLL
LCHGP4	1/4	0.43	0.34	0.37	1.81	2600
LCHGP5	5/16	0.50	0.43	0.37	2.15	3900
LCHGP6	3/8	0.59	0.50	0.43	2.46	5400
LCHGP7	7/16	0.65	0.56	0.56	2.78	7200
LCHGP8	1/2	0.75	0.65	0.62	3.21	9200



Not for overhead lifting!

High Test Clevis Grab Hooks are used with proof coil and high test chain. Typically they have a silver zinc finish.

CLEVIS GRAB • GRADE 70

Not for overhead lifting!

Grade 70 Clevis Grab Hooks are marked with a G70 and are for use with tie down chains. They have a yellow chromate finish.

Part #	Size	B	E	P	R	WLL
LCHG704	1/4	0.43	0.34	0.37	1.81	3150
LCHG705	5/16	0.50	0.43	0.37	2.15	4700
LCHG706	3/8	0.59	0.50	0.43	2.46	6600
LCHG708	1/2	0.75	0.65	0.62	3.21	11300

CLEVIS GRAB • ALLOY

Not for overhead lifting!

Alloy Clevis Grab Hooks have working load limits equivalent to Alloy Grade 80 Chain but they are not approved for overhead lifting. They have a yellow chromate finish. Hooks for overhead lifting are available in 3-6 days.

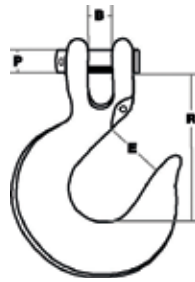
Part #	Size	B	E	P	R	WLL
LCHG804	1/4	0.43	0.34	0.37	1.81	3500
LCHG805	5/16	0.50	0.43	0.37	2.15	4500
LCHG806	3/8	0.59	0.50	0.43	2.46	7100
LCHG808	1/2	0.75	0.65	0.62	3.21	12000

CHAIN HOOKS & COIL CHAIN STRAIGHT LINK

CHAIN HOOKS

CLEVIS SLIP • HIGH TEST

Part #	Size	B	E	P	R	WLL
LCHSP4	1/4	0.40	0.93	0.37	2.56	2600
LCHSP5	5/16	0.43	1.06	0.43	2.71	3900
LCHSP6	3/8	0.47	1.31	0.46	3.25	5400
LCHSP7	7/16	0.56	1.56	0.56	3.65	7200
LCHSP8	1/2	0.75	1.68	0.62	4.00	9200



Not for overhead lifting!

High Test Clevis Slip Hooks are used with proof coil and high test chain. Typically they have a silver zinc finish.

CLEVIS SAFETY SLIP GRADE 70

Not for overhead lifting!

Grade 70 Clevis Safety Slip Hooks are marked with a G70 and are for use with tie down chains. They have a yellow chromate finish. The latch is stainless steel.

Part #	Size	B	E	P	R	WLL
LCHSS704	1/4	0.40	0.93	0.37	2.56	2750
LCHSS705	5/16	0.43	1.06	0.43	2.71	4300
LCHSS706	3/8	0.47	1.31	0.46	3.25	5250
LCHSS708	1/2	0.75	1.68	0.62	4.00	9200

EYE GRAB • HIGH TEST

Part #	Size	B	E	R	WLL
LCHGE4	1/4	0.50	0.34	1.96	2600
LCHGE5	5/16	0.56	0.43	2.25	3900
LCHGE6	3/8	0.67	0.50	2.56	5400



Not for overhead lifting!

High Test Eye Grab Hooks are for use with proof coil and high test chains. They typically come self colored.

EYE SLIP • HIGH TEST

Part #	Size	B	E	R	WLL
LCHSE4	1/4	0.50	0.93	2.53	1950
LCHSE5	5/16	0.62	1.06	2.90	2875
LCHSE6	3/8	0.71	1.31	3.31	4000



Not for overhead lifting!

High Test Eye Slip Hooks are for use with proof coil and high test chains. They typically come self colored.

EYE SAFETY SLIP • HIGH TEST

Part #	Size	B	E	R	WLL
LCHSSE5	5/16	0.62	1.06	2.90	2875

COIL CHAIN STRAIGHT LINK

ZINC PLATED

Part #	Size	Wire Diameter	Inside Length	Inside Width	WLL
LCLL10	1-0	0.177	1.250	0.320	415
LCLL20	2-0	0.192	1.270	0.350	495



Coil Chain Straight Link is easily identified by its extra long links.

MACHINE CHAIN STRAIGHT LINK, MACHINE CHAIN TWIST LINK, DOUBLE LOOP CHAIN, SINGLE JACK CHAIN & SASH CHAIN

MACHINE CHAIN STRAIGHT LINK

ZINC PLATED

Part #	Size	Wire Diameter	Inside Length	Inside Width	WLL
LCSLM20	2-0	0.192	0.790	0.350	545



Machine Chain Straight Link is a short link welded chain. The short link makes it compact and flexible.

MACHINE CHAIN TWIST LINK

ZINC PLATED

Part #	Size	Wire Diameter	Inside Length	Inside Width	WLL
LCTLM50	5-0	0.250	1.000	0.380	925



Machine Chain Twist Link is identical to Straight Link except the twist in each link lets it lie flatter and makes it slightly more compact and flexible.

DOUBLE LOOP CHAIN

ZINC PLATED

Part #	Size	Wire Diameter	Length per 100 Links	WLL
LCDL5	5	0.062	92"	55
LCDL3	3	0.080	110"	90
LCDL1	1	0.105	154"	155
LCDL20	2-0	0.135	182"	255



Double Loop Chain is a weldless chain. It is an all-purpose chain which is used for animal chains, swings, hanging light fixtures, and many other applications.

SINGLE JACK CHAIN

ZINC PLATED

Part #	Size	Wire Diameter	Length per 100 Links	WLL
LCJC18	18	0.047	39"	5
LCJC16	16	0.062	50"	10



Single Jack Chain is a light-duty, weldless chain. It is suitable for many light duty tasks.

SASH CHAIN

ZINC PLATED

Part #	Size	Wire Diameter	Length per 100 Links	WLL
LCSC#8	8	0.035	55.5"	75



Sash Chain is generally used with standard sash fixtures but is also useful anywhere a strong, flat chain with smooth, rounded surfaces is needed.

Don't see the size you're looking for? Call us for availability!

SAFETY CHAIN, RAPID LINKS (QUICK LINKS), DOUBLE CLEVIS LINKS, & COLD SHUTS

SAFETY CHAIN

ZINC PLATED

Part #	Description	MGTW
EQBPBSC3835	3/8 X 35" W/SAFETY SLIP HOOK	10,000 LBS.

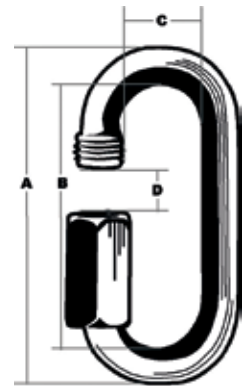


Safety Chain comes ready to install on the trailer.

RAPID LINKS (QUICK LINKS)

ZINC PLATED

Part #	Wire Size	Overall Length (A)	Opening (D)	WLL
LCRL2	1/8	1 3/8	0.18	130
LCRL3	3/16	1 7/8	0.25	400
LCRL4	1/4	2 1/8	0.31	600
LCRL5	5/16	3	0.38	800
LCRL6	3/8	3 1/8	0.44	1200
LCRL7	7/16	3 1/2	0.56	3320
LCRL8	1/2	4 1/8	0.61	4500



304 STAINLESS STEEL

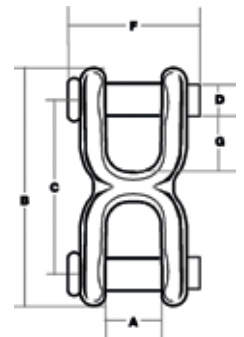
Part #	Wire Size	Overall Length (A)	Opening (D)	WLL
LCSSRL2	1/8	1 1/2	1/4	220
LCSSRL3	3/16	2	1/4	660
LCSSRL4	1/4	2 5/16	5/16	880

DOUBLE CLEVIS LINKS

DROP FORGED LOW CARBON STEEL • ZINC PLATED

Double Clevis Links have a drop forged carbon steel body and alloy pins. They are designed for use with high test or transport chain.

Part #	Size	A	B	C	D	F	G	WLL
LCDCL4	1/4-5/16	0.44	2.50	1.56	0.38	1.40	0.45	4700
LCDCL6	3/8	0.53	2.81	1.85	0.44	1.65	0.50	6600
LCDCL8	7/16-1/2	0.65	3.62	2.30	0.56	2.08	0.63	11250



COLD SHUTS

ZINC PLATED

Part #	Size	Inside Width	Inside Length
LCCS3	3/16	0.34	0.94
LCCS4	1/4	0.38	1.19
LCCS5	5/16	0.44	1.38
LCCS6	3/8	0.63	1.50
LCCS8	1/2	0.75	1.88
LCCS12	3/4	1.00	2.50



Cold Shuts are designed for use with proof coil chain. Use one size larger cold shut than chain size and weld shut after closing.

REPAIR LINKS, ALLOY CONNECTING LINKS, & SCREW PIN ANCHOR SHACKLES (CLEVISES)

REPAIR LINKS

ZINC PLATED

Part #	Size	Inside Width	Inside Length
LCREL3	3/16	0.50	1 1/2
LCREL416	1/4	0.63	2
LCREL5	5/16	0.75	2
LCREL6	3/8	0.75	2
LCREL8	1/2	1.00	2 1/2



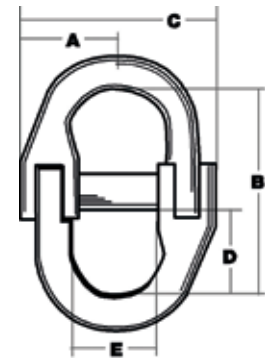
Repair Links are designed for use with proof coil chain. Use one size larger repair link than chain size and weld shut after closing.

ALLOY CONNECTING LINKS

ZINC PLATED

Alloy Connecting Links are designed to use with Grade 80 chain. They can be used for overhead lifting.

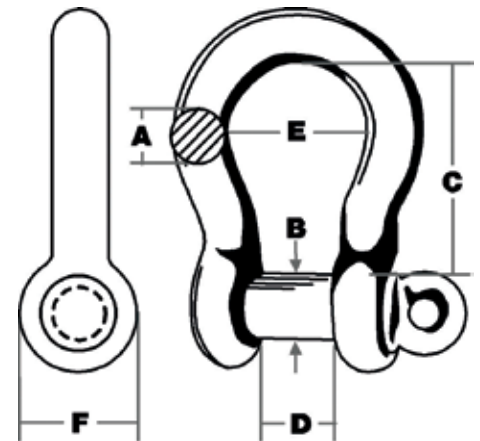
Part #	Size	A	B	C	D	E	WLL
LCACL45	1/4 (9/32)	0.33	1.88	1.85	0.78	0.63	3500
LCACL5	5/16	0.36	2.18	1.97	0.91	0.66	4500
LCACL6	3/8	0.45	2.53	2.50	1.03	0.85	7100
LCACL8	1/2	0.59	3.36	3.22	1.44	1.09	12000



SCREW PIN ANCHOR SHACKLES (CLEVISES)

HOT DIP GALVANIZED

Part #	Size (A)	B	C	D	E	F	WLL
LCAS03	3/16	0.25	0.75	0.38	0.59	0.56	650
LCAS04	1/4	0.31	1.13	0.47	0.78	0.69	1000
LCAS05	5/16	0.38	1.25	0.53	0.84	0.81	1300
LCAS06	3/8	0.44	1.50	0.66	1.03	0.97	1500
LCAS07	7/16	0.50	1.75	0.72	1.16	1.13	2000
LCAS08	1/2	0.63	2.00	0.81	1.31	1.31	3000
LCAS10	5/8	0.75	2.50	1.06	1.69	1.56	4420
LCAS12	3/4	0.88	3.00	1.25	2.00	1.88	6000
LCAS14	7/8	1.00	3.25	1.44	2.25	2.13	8000
LCAS16	1	1.13	3.75	1.69	2.50	2.38	10000

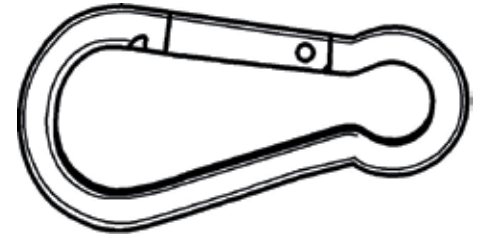


SPRING LINKS, S-HOOKS, DOUBLE END SNAPS & CHAIN BINDERS

SPRING LINKS

ZINC PLATED

Part #	Wire Size	Overall Length	WLL
LCSL3	3/16	2 1/8	70
LCSL4	1/4	2 1/2	140
LCSL5	5/16	3 1/8	280
LCSL6	3/8	3 1/2	400
LCSL7	7/16	4 3/4	500



304 STAINLESS STEEL

Part #	Wire Size	Overall Length	WLL
LCSSSL3	3/16	2 1/8	140
LCSSSL4	1/4	2 1/2	280

S-HOOKS

ZINC PLATED

Part #	Wire Size	Overall Length	Overall Width
LCHS3	3/16	1 3/4	7/8
LCHS416	1/4	2 1/4	1 1/4
LCHS524	5/16	3	1 5/8
LCHS6	3/8	3 3/4	2 1/8



DOUBLE END SNAPS

DIE CAST ZINC • NICKEL PLATED

Part #	Overall Length
LCDES528	3 1/2



CHAIN BINDERS

LEVER TYPE

Part #	Chain Size	Type	WLL
EQLB04	1/4 GRADE 30 OR 43	LEVER	2600
EQLB06	5/16 GRADE 70, 3/8 GRADE 43	LEVER	5400



RATCHET TYPE

Part #	Chain Size	Type	WLL
EQLBR06	5/16 GRADE 70, 3/8 GRADE 70	RATCHET	6600

Don't see the size you're looking for? Call us for availability!

HITCH BALLS, BALL MOUNTS & TRAILER COUPLERS

LOCKING HITCH PINS

Part #	Description	Pin Diameter	Receiver Tube Size
EQBPBLHP200	BENT PIN STYLE	5/8	2"
EQBPBLHP300	BONE STYLE	5/8	2"



HITCH BALLS

ZINC PLATED

Part #	Ball Diameter	Shank Diameter	Shank Length	MGTW	Discount Quantity
EQHB17812	1 7/8	3/4	1 3/4	2000	10
EQHB212	2	3/4	1 3/4	3500	10
EQHB212L	2	3/4	2 3/8	3500	10
EQHB216	2*	1	2 3/4	10000	10
EQHB251616	2 5/16	1	2 1/8	6000	10
EQHB251620	2 5/16	1 1/4	2 1/2	10000	10

*Chrome Finish.

Don't see the size you need? Call us for availability!



BALL MOUNTS

Part #	Description	Shank Size	Hole Size	Drop	Weight Rating
EQBP1803051	HEAVY DUTY FORGED CONSTRUCTION	2"	1 1/4"	2"	20,000 LBS.
EQBP1803306	HEAVY DUTY WELDED CONSTRUCTION KIT W/2" BALL	2"	-	2"	5,000 LBS.
EQBP1803405	HEAVY DUTY WELDED CONSTRUCTION	2 1/2"	1 1/4"	3"	12,000 LBS.

TRAILER COUPLERS

STRAIGHT TONGUE

Part #	Description	MGTW
EQBP0091050	1 7/8" BALL 2" CHANNEL	2000 LBS.
EQBP0091058	2" BALL 2" CHANNEL	3500 LBS.

ADJUSTABLE EYE ASSEMBLY

Part #	Description	MVL	MGTW
EQBPB18128	3 POSITION	2000 LBS.	12000 LBS.



Trailer Coupler Adjustable Eye Assemblies feature:

- Ductile Cast Iron Eye
- Formed Steel Channel
- 3" ID Eye
- 1 9/16" Eye Section

JACKS & RUBBER STRAPS (TARP STRAPS)

JACKS

Part #	Description	Capacity	Travel	Wind
EQBP0091410H	4" SQ. HEAVY DUTY SPRING RETURN W/SIDE PIN	10000 LBS.	12"	SIDE
EQID77147	PIPE MOUNT SWIVEL	5000 LBS.	15"	SIDE
EQID77147T	PIPE MOUNT SWIVEL	5000 LBS.	10"	TOP



RUBBER STRAPS (TARP STRAPS)

Part #	Length	Case Quantity
EQRS09	9"	50
EQRS15	15"	50
EQRS22	22"	50
EQRS31	31"	50

Rubber Straps are made in the USA of UV resistant EPDM rubber for a strong, durable rubber strap.



SECTION 7: ELECTRICAL



BUTT CONNECTORS & RING TERMINALS

MAX TEMPERATURES, AMPERES, AND VOLTAGE

Vinyl Insulated Terminals Max Temperature: 167° F

Nylon Insulated Terminals Max Temperature: 221° F

Polypropylene Insulated Terminals Max Temperature: 221° F

Tin Plated Brass Terminals

Max Voltage: 300 volts

Max Amperes:

22-18 Gauge: 10 amps

16-14 Gauge: 15 amps

12-10 Gauge: 24 amps

Tin Plated Copper Terminals

Max Voltage: 600 volts

Max Amperes:

22-18 Gauge: 19 amps

16-14 Gauge: 27 amps

12-10 Gauge: 48 amps

BUTT CONNECTORS

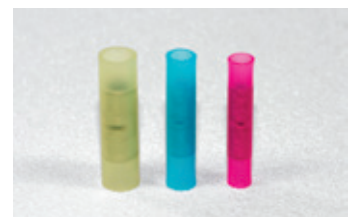
BRASS (TIN PLATED) • VINYL INSULATED

Part #	Wire Gauge	Color	Package Quantity	Discount Quantity
ELBCVR	22-18	RED	100	500
ELBCVB	16-14	BLUE	100	500
ELBCVY	12-10	YELLOW	100	500
ELBC8	8	RED	50	250
ELBC6	6	BLUE	25	125



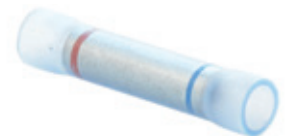
COPPER (TIN PLATED) • NYLON INSULATED

Part #	Wire Gauge	Color	Package Quantity	Discount Quantity
ELBCNR	22-18	RED	100	500
ELBCNB	16-14	BLUE	100	500
ELBCNY	12-10	YELLOW	100	500



STEP DOWN • NYLON INSULATED

Part #	Wire Gauge	Color	Package Quantity	Discount Quantity
ELBCSDBR	22-18 TO 16-14	RED TO BLUE	100	500



RING TERMINALS

COPPER (TIN PLATED) • VINYL INSULATED

Part #	Wire Gauge	Color	Stud Size	Package Quantity	Discount Quantity
ELRTR06	22-16	RED	#6	100	500
ELRTR08	22-16	RED	#8	100	500
ELRTR10	22-16	RED	#10	100	500
ELRTR4	22-16	RED	1/4	100	500
ELRTB06	16-14	BLUE	#6	100	500
ELRTB08	16-14	BLUE	#8	100	500
ELRTB10	16-14	BLUE	#10	100	500
ELRTB4	16-14	BLUE	1/4	100	500
ELRTB5	16-14	BLUE	5/16	100	500
ELRTB6	16-14	BLUE	3/8	100	500
ELRTB8	16-14	BLUE	1/2	100	500
ELRTY06	12-10	YELLOW	#6	100	500



Part #	Wire Gauge	Color	Stud Size	Package Quantity	Discount Quantity
ELRTY08	12-10	YELLOW	#8	100	500
ELRTY10	12-10	YELLOW	#10	100	500
ELRTY4	12-10	YELLOW	1/4	100	500
ELRTY5	12-10	YELLOW	5/16	100	500
ELRTY6	12-10	YELLOW	3/8	100	500
ELRTY8	12-10	YELLOW	1/2	100	500
ELRT84	8	RED	1/4	50	250
ELRT86	8	RED	3/8	50	250
ELRT66	6	BLUE	3/8	25	125
ELRT68	6	BLUE	1/2	25	125
ELRT44	4	YELLOW	1/4	25	125
ELRT46	4	YELLOW	3/8	25	125

SNAP SPADES, SPADES & HOOKS

SNAP SPADES

COPPER (TIN PLATED) • VINYL INSULATED

Part #	Wire Gauge	Color	Stud Size	Package Quantity	Discount Quantity
ELSSR06	22-16	RED	#6	100	500
ELSSR08	22-16	RED	#8	100	500
ELSSR10	22-16	RED	#10	100	500
ELSSB06	16-14	BLUE	#6	100	500
ELSSB08	16-14	BLUE	#8	100	500
ELSSB10	16-14	BLUE	#10	100	500
ELSSY08	12-10	YELLOW	#8	100	500
ELSSY10	12-10	YELLOW	#10	100	500



COPPER (TIN PLATED) • NYLON INSULATED

Part #	Wire Gauge	Color	Stud Size	Package Quantity	Discount Quantity
ELSSBN10	16-14	BLUE	#10	100	500



SPADES

COPPER (TIN PLATED) • VINYL INSULATED

Part #	Wire Gauge	Color	Stud Size	Package Quantity	Discount Quantity
ELSR06	22-16	RED	#6	100	500
ELSR08	22-16	RED	#8	100	500
ELSR10	16-14	BLUE	#10	100	500
ELSB10	16-14	BLUE	#10	100	500
ELSY4	12-10	YELLOW	1/4	100	500



HOOKS

COPPER (TIN PLATED) • VINYL INSULATED

Part #	Wire Gauge	Color	Stud Size	Package Quantity	Discount Quantity
ELHR10	22-18	RED	#10	100	500
ELHB10	16-14	BLUE	#10	100	500



QUICK CONNECTS & FULLY INSULATED QUICK CONNECTS

QUICK CONNECTS

FEMALE • BRASS (TIN PLATED) • VINYL INSULATED

Part #	Wire Gauge	Color	Tab Width	Package Quantity	Discount Quantity
ELFQR	22-16	RED	0.250	100	500
ELFQB	16-14	BLUE	0.250	100	500
ELFQB3	16-14	BLUE	0.187	100	500
ELFQY	12-10	YELLOW	0.250	100	500



MALE • BRASS (TIN PLATED) • VINYL INSULATED

Part #	Wire Gauge	Color	Tab Width	Package Quantity	Discount Quantity
ELMQB	16-14	BLUE	0.250	100	500
ELMQB3	16-14	BLUE	0.187	100	500
ELMQY	12-10	YELLOW	0.250	100	500



MALE • BRASS (TIN PLATED) • NYLON INSULATED

Part #	Wire Gauge	Color	Tab Width	Package Quantity	Discount Quantity
ELMQNB	16-14	BLUE	0.250	100	500



FULLY INSULATED QUICK CONNECTS

FEMALE • BRASS (TIN PLATED) • NYLON INSULATED

Part #	Wire Gauge	Color	Tab Width	Package Quantity	Discount Quantity
ELFFQR	22-16	RED	0.250	100	500
ELFFQR3	22-18*	RED	0.187	100	500
ELFFQB	16-14	BLUE	0.250	100	500
ELFFQB3	16-14*	BLUE	0.187	100	500
ELFFQY	12-10	YELLOW	0.250	100	500



*Vinyl insulated.

FEMALE • OVAL • BRASS (TIN PLATED) • NYLON INSULATED

Part #	Wire Gauge	Color	Tab Width	Package Quantity	Discount Quantity
ELFFQOB	16-14	BLUE	0.250	100	500



MALE • BRASS (TIN PLATED) • NYLON INSULATED

Part #	Wire Gauge	Color	Tab Width	Package Quantity	Discount Quantity
ELMFQR	22-16	RED	0.250	100	500
ELMFQB	16-14	BLUE	0.250	100	500
ELMFQY	12-10	YELLOW	0.250	100	500



MALE • OVAL • BRASS (TIN PLATED) • NYLON INSULATED

Part #	Wire Gauge	Color	Tab Width	Package Quantity	Discount Quantity
ELMFQOB	16-14	BLUE	0.250	100	500



FLAGS, BULLETS, & QUICK SPLICES

FLAGS

FEMALE • BRASS (TIN PLATED) • NYLON INSULATED

Part #	Wire Gauge	Color	Tab Width	Package Quantity	Discount Quantity
ELFLFR	22-16	RED	0.250	100	500
ELFLFB	16-14	BLUE	0.250	100	500
ELFLFY	12-10	YELLOW	0.250	100	500



BULLETS

FEMALE • BRASS (TIN PLATED) • VINYL INSULATED

Part #	Wire Gauge	Color	Bullet Diameter	Package Quantity	Discount Quantity
ELBFR	22-16	RED	0.156	100	500
ELBFB	16-14	BLUE	0.156	100	500



FEMALE • BRASS (TIN PLATED) • NYLON INSULATED

Part #	Wire Gauge	Color	Bullet Diameter	Package Quantity	Discount Quantity
ELBFBN	16-14	BLUE	0.157	100	500



MALE • BRASS (TIN PLATED) • VINYL INSULATED

Part #	Wire Gauge	Color	Bullet Diameter	Package Quantity	Discount Quantity
ELBMB	16-14	BLUE	0.156	100	500



QUICK SPLICES

BRASS (TIN PLATED) • POLYPROPYLENE INSULATED

Part #	Wire Gauge	Color	Package Quantity	Discount Quantity
ELSLR	22-18	RED	100	500
ELSLW	18-14	WHITE	100	500
ELSLB	16-14	BLUE	100	500
AV10385	18-14 TO 12-10	TAN	100	500
ELSLY	12-10	YELLOW	100	500



MOISTURE RESISTANT

This Moisture Resistant Quick Splice contains a dielectric grease which provides a moisture resistant barrier in corrosive environments. This connector is rated for 600V, 194° F, 18 gauge: 7 amps, 16 gauge: 10 amps, 14 gauge: 15 amps.

Part #	Wire Gauge	Color	Package Quantity	Discount Quantity
ELTCBMR	18-14	BLUE	100	500

PIGTAIL CONNECTOR, INSTANT TAP CONNECTORS & WIRE NUTS

PIGTAIL CONNECTOR



This Pigtail Connector is self-stripping and capable of connecting 2 or 3 wires in the range of 22-14 gauge. It contains an EG-3 grease sealant which provides a moisture resistant seal. They are rated for 600V, and 221° F.

Part #	Wire Gauge	Color	Package Quantity	Discount Quantity
ELPCW	22-14	BLUE	100	500

INSTANT TAP CONNECTORS

BRASS (TIN PLATED) • NYLON INSULATED



Instant Tap Connectors provide an easy way to make a quick connect tap into a wire. Simply close over the wire and connect a quick connect male to the opposite end.

Part #	Wire Gauge	Color	Package Quantity	Discount Quantity
ELITCB	16-14	BLUE	100	500

WIRE NUTS

SPRING LOADED



Features:

- UL listed, CSA approved components
- Flame Retardant thermoplastic insulation shell
- Fixed internal wire spring secures connection with optimum conductivity
- Anti-slip gripping ribs for improved twisting efficiency and comfort
- Deep skirt, offering superior protection against shorts and flashovers
- Threaded funnel entry smoothly guides wires into the connector

Part #	Wire Gauge	Color	Package Quantity	Discount Quantity
ELWNG	22-14	GRAY	100	500
ELWNB	22-14	BLUE	100	500
ELWNO	22-14	ORANGE	100	500

WIRE NUTS & ALTERNATOR TERMINALS

WIRE NUTS

WINGED



Features:

- UL listed, CSA approved components
- Flame Retardant thermoplastic insulation shell
- Fixed internal wire spring secures connection with optimum conductivity
- Anti-slip gripping ribs for improved twisting efficiency and comfort
- Deep skirt, offering superior protection against shorts and flashovers
- Threaded funnel entry smoothly guides wires into the connector

Part #	Wire Gauge	Color	Package Quantity	Discount Quantity
ELWNWY	18-10	YELLOW	100	500
ELWNWR	18-8	RED	100	500
ELWNWG	18-8	GRAY	100	500
ELWNWB	14-6	BLUE	100	500

GROUNDING CONNECTOR

Part #	Wire Gauge	Color	Package Quantity	Discount Quantity
ELWNGRE	14-10	GREEN	100	500

HEX WINGED

In addition to the features that other wire nuts have these wire nuts have a 5/16 hex so they can be driven with a socket.

Part #	Wire Gauge	Color	Package Quantity	Discount Quantity
ELWNWT	22-8	TAN	100	500

ALTERNATOR TERMINALS

BRASS

Part #	Wire Gauge	Type	Package Quantity
AV08776	16-14	FEMALE	50
AV08774	16-14	MALE	50



3 WAY CONNECTORS, PIGGY BACK TERMINALS, DOUBLE MALE SINGLE FEMALE ADAPTER & UNINSULATED BUTT CONNECTORS

3 WAY CONNECTORS

VINYL INSULATED

Part #	Wire Gauge	Type	Stud Size	Package Quantity
EL3WCB	16-14	BLUE	#8	25



PIGGY BACK TERMINALS

Part #	Wire Gauge	Type	Package Quantity
ELPBTI	16-14	BLUE	100



DOUBLE MALE SINGLE FEMALE ADAPTER

Part #	Tab Width	Package Quantity
AV08788	0.250	25



UNINSULATED BUTT CONNECTORS

Part #	Wire Gauge	Package Quantity
ELBCUB	16-14	100
ELBCU6	6	25
ELBCU1	1	10

UNINSULATED RING TERMINALS, UNINSULATED QUICK CONNECTS, HEAT SHRINK BUTT CONNECTORS & HEAT SHRINK RING TERMINALS

UNINSULATED RING TERMINALS

Part #	Wire Gauge	Stud Size	Package Quantity
ELRTU810	8	#10	50
ELRTU65	6	5/16	25

UNINSULATED QUICK CONNECTS

Part #	Wire Gauge	Tab Width	Type	Package Quantity
ELFQUY	12-10	0.250	FEMALE	100
ELMQUY	12-10	0.250	MALE	100

Don't see the wire connector you need? Call us for availability!

HEAT SHRINK BUTT CONNECTORS

Heat Shrink Terminals provide an electrical connection which is sealed against moisture and other corrosive elements. After crimping heat is applied shrinking the insulation to around the connection and enabling the adhesive which lines the inside to melt and flow evenly for a sealed connection.

SOLDER & CRIMP



CRIMP ONLY



Heat Shrink, Solder, Crimpable Butt Connectors are an ultra performance terminal. They provide protection against pullout and corrosion.

Part #	Wire Gauge	Color	Package Quantity
ELHSBCSSCR	22-18	RED	100
ELHSBCSSCB	16-14	BLUE	100
ELHSBCSSCY	12-10	YELLOW	100

Part #	Wire Gauge	Color	Package Quantity
ELHSBCR	22-18	RED	100
ELHSBCB	16-14	BLUE	100
ELHSBCY	12-10	YELLOW	100

HEAT SHRINK RING TERMINALS

Part #	Wire Gauge	Color	Stud Size	Package Quantity
ELHSRTR06	22-18	RED	#6	100
ELHSRTR08	22-18	RED	#8	100
ELHSRTR10	22-18	RED	#10	100
ELHSRTR4	22-18	RED	1/4	100
ELHSRTR5	22-18	RED	5/16	100
ELHSRTR6	22-18	RED	3/8	100
ELHSRTB06	16-14	BLUE	#6	100
ELHSRTB08	16-14	BLUE	#8	100
ELHSRTB10	16-14	BLUE	#10	100
ELHSRTB4	16-14	BLUE	1/4	100
ELHSRTB5	16-14	BLUE	5/16	100



Part #	Wire Gauge	Color	Stud Size	Package Quantity
ELHSRTB6	16-14	BLUE	3/8	100
ELHSRTY10	12-10	YELLOW	#10	100
ELHSRTY4	12-10	YELLOW	1/4	100
ELHSRTY5	12-10	YELLOW	5/16	100
ELHSRTY6	12-10	YELLOW	3/8	100

HEAT SHRINK SNAP SPADES, HEAT SHRINK SPADES, HEAT SHRINK FULLY INSULATED QUICK CONNECTS & HEAT SHRINK BULLETS

HEAT SHRINK SNAP SPADES

Part #	Wire Gauge	Color	Stud Size	Package Quantity
ELHSSB08	16-14	BLUE	#8	100



HEAT SHRINK SPADES

Part #	Wire Gauge	Color	Stud Size	Package Quantity
ELHSSR08	22-18	RED	#8	100
ELHSSR10	22-18	RED	#10	100
ELHSSB08	16-14	BLUE	#8	100
ELHSSB10	16-14	BLUE	#10	100
ELHSSY10	12-10	YELLOW	#10	100
ELHSSY4	12-10	YELLOW	1/4	100

HEAT SHRINK FULLY INSULATED QUICK CONNECTS

Part #	Wire Gauge	Color	Stud Size	Package Quantity
ELHSFFQB	16-14	BLUE	FEMALE	100
ELHSFFQY	12-10	YELLOW	FEMALE	100
ELHSMFQB	16-14	BLUE	MALE	100
ELHSMFQY	12-10	YELLOW	MALE	100



HEAT SHRINK BULLETS

Part #	Wire Gauge	Color	Stud Size	Package Quantity
ELHSBFB	16-14	BLUE	FEMALE	100
ELHSBMB	16-14	BLUE	MALE	100



Don't see the heat shrink terminal you need? Call us for availability!

NYAX HEAT SHRINK ELECTRICAL TERMINALS

Nyax Heat Shrink Terminals shrink at a lower temperature (90°C) and up to 40% faster than polyolefin or nylon, saving installation costs and reducing the potential for wire insulation damage. Nyax is also see through for easy visual inspection.

HEAT SHRINK BUTT CONNECTORS PERMASEAL

Part #	Wire Gauge	Color	Package Quantity
ELPHSBCB	22-18	RED	100
ELPHSBCR	16-14	BLUE	100
ELPHSBCY	12-10	YELLOW	100



HEAT SHRINK STEP DOWN BUTT CONNECTORS PERMASEAL

Part #	Wire Gauge	Color	Package Quantity
ELPHSBCSDBR	16-14 TO 22-18	BLUE	100
ELPHSBCSDYB	12-10 TO 16-14	YELLOW	100

HEAT SHRINK RING TERMINALS PERMASEAL

Part #	Wire Gauge	Color	Stud Size	Package Quantity
ELPHSRTR06	22-18	RED	#6	100
ELPHSRTR10	22-18	RED	#10	100
ELPHSRTB10	16-14	BLUE	#10	100
ELPHSRTB4	16-14	BLUE	1/4	100
ELPHSRTB6	16-14	BLUE	3/8	100
ELPHSRTY8	12-10	YELLOW	1/2	100



HEAT SHRINK SPADES PERMASEAL

Part #	Wire Gauge	Color	Stud Size	Package Quantity
ELPHSSY10	12-10	YELLOW	10	100



HEAT SHRINK FULLY INSULATED QUICK CONNECTS PERMASEAL

Part #	Wire Gauge	Color	Type	Tab Width	Package Quantity
ELPHSFFQB	16-14	BLUE	FEMALE	0.250	100
ELPHSFFQY	12-10	YELLOW	FEMALE	0.250	100
ELPHSMFQB	16-14	BLUE	MALE	0.250	100



HEAT SHRINK QUICK CONNECTS PERMASEAL

Part #	Wire Gauge	Color	Type	Tab Width	Package Quantity
ELPHSFQB	16-14	BLUE	FEMALE	0.250	100
ELPHSMQB	16-14	BLUE	MALE	0.250	100

WIRE TIES (CABLE TIES, ZIP TIES), SLIT LOOM & LOOM CLAMPS (P CLAMPS)

WIRE TIES (CABLE TIES, ZIP TIES)

Wire Ties are manufactured from 100% virgin grade nylon 6/6. Temperature range is -40° F to 185° F.

UV RESISTANT BLACK

Part #	Description	Overall Length	Width	Max Bundle Dia.	Package Quantity
ELWTB04	4"	4	0.1	7/8	100
ELWTB05	5"	5 1/2	0.1	1 3/8	100
ELWTB07	7"	7 3/8	0.19	1 3/4	100
ELWTB07L	7" LIGHT	7 3/4	0.1	2	100
ELWTB08H	8" HEAVY	8	0.3	1 15/16	100
ELWTB11L	11" LIGHT	11 1/2	0.14	3	100
ELWTB11	11"	11 1/2	0.19	3	100
ELWTB14	14"	14 1/2	0.19	4	100
ELWTB14H	14" HEAVY	14 1/2	0.3	4	100
ELWTB18H	18" HEAVY	17 3/4	0.3	5 3/16	100
ELWTB21H	21" HEAVY	20 3/4	0.35	5 1/2	100
ELWTB28H	28" HEAVY	28	0.35	7 1/2	100



UV RESISTANT BLACK • SCREW MOUNT

Part #	Description	Width	Max Bundle Dia.	Screw Size	Package Quantity
ELWTMB06	6"	0.14	1 3/8	#8	1000



SLIT LOOM

Part #	ID	Roll Length	Box Length	Bulk Length
ELSL04	1/4	50'	250'	3200'
ELSL06	3/8	50'	250'	1900'
ELSL08	1/2	50'	250'	1100'
ELSL10	5/8	50'	250'	800'
ELSL12	3/4	50'	150'	550'
ELSL16	1	50'	75'	300'

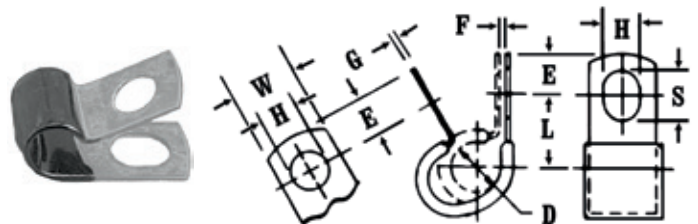


Slit Loom is manufactured from polyethylene. It is excellent for holding wires in position and protecting them. Temperature range is -40° F to 200° F.

LOOM CLAMPS (P CLAMPS)

BLACK VINYL COATED

Part #	ID (D)	L	E	F	Package Quantity
AV09381	1/4	17/32	5/16	1/32	25
AV09383	3/8	19/32	5/16	1/16	25
AV09384	1/2	21/32	5/16	1/16	25
AV09385	5/8	23/32	5/16	1/16	25
AV09386	3/4	25/32	5/16	1/16	25
AV09387	7/8	27/32	5/16	1/16	25
AV09388	1	29/32	5/16	1/16	25
AV10604	1*	1 1/32	7/16	1/16	25



Material Thickness (G) is 0.032 for sizes up to 3/8" and 0.048 for larger sizes. Hole diameter (H) is 9/32 and slot length (S) is 3/8. Clamp width (W) is 1/2.

*Part number av10604 is a wider clamp. H is 13/32, S is 1/2, and W is 3/4.

LOOM CLAMPS (P CLAMPS) & HEAT SHRINK TUBING

LOOM CLAMPS (P CLAMPS)

REMOVABLE EPDM RUBBER JACKET

Part #	Closed ID	Hole Diameter	Package Quantity
ELLCSRJ04	1/4	9/32	25
ELLCSRJ06	3/8	9/32	25
ELLCSRJ08	1/2	9/32	25
ELLCSRJ12	3/4	9/32	25
ELLCSRJ16	1	9/32	25
ELLCSRJ24	1 1/2	9/32	10
ELLCSRJ32	2	9/32	10



HEAT SHRINK TUBING

All heat shrink tubing is adhesive lined.

SINGLE WALL

Single Wall Heat Shrink Tubing shrinks to approximately half its initial size. Shrink temperature is 212° F. It has the thinnest wall and is the most flexible of all the shrink tubes. Size is given as the minimum inside diameter before shrinking.

Part #	Size	Color	Length
ELHSTSR12	3/4	RED	4'



DUAL WALL

Dual Wall Heat Shrink Tubing shrinks to approximately 1/3 its initial size. Shrink temperature is 212° F. It has a medium thickness wall and is semi rigid. Size is given as the minimum inside diameter before shrinking.

Part #	Size	Color	Length
ELHSTDB02	1/8	BLACK	4'
ELHSTDB03	3/16	BLACK	4'
ELHSTDB036	3/16	BLACK	6"
ELHSTDB04	1/4	BLACK	4'
ELHSTDB046	1/4	BLACK	6"
ELHSTDR04	1/4	RED	4'
ELHSTDB066	3/8	BLACK	6"
ELHSTDB08	1/2	BLACK	4'
ELHSTDB086	1/2	BLACK	6"
ELHSTDR08	1/2	RED	4'
ELHSTDB12	3/4	BLACK	4'
ELHSTDB126	3/4	BLACK	6"
ELHSTDR12	3/4	RED	4'
ELHSTDB16	1	BLACK	4'
ELHSTDB24	1 1/2	BLACK	4'

TRIPLE WALL

Triple Wall Heat Shrink Tubing shrinks to approximately 1/3 its initial size. Shrink temperature is 248° F. It has an extra thick wall and is rigid. Size is given as the minimum inside diameter before shrinking.

Part #	Size	Color	Length
ELHSTTB12	3/4	BLACK	4'
ELHSTTB126	3/4	BLACK	6"
ELHSTTR12	3/4	RED	4'
ELHSTTB166	1	BLACK	6"
ELHSTTB16	1	BLACK	4'
ELHSTTR16	1	RED	4'

CLEAR

Clear Heat Shrink Tubing shrinks to approximately 1/3 its initial size. Shrink temperature is 230° F. It has a medium thickness wall and is semi rigid. Size is given as the minimum inside diameter before shrinking.

Part #	Size	Color	Length
ELHSTC03	3/16	CLEAR	4'
ELHSTC04	1/4	CLEAR	4'
ELHSTC06	3/8	CLEAR	4'
ELHSTC08	1/2	CLEAR	4'

Don't see the size you need? Call us for availability!

BATTERIES, PRIMARY WIRE & DUPLEX BRAKE CABLE

BATTERIES

Part #	Description	Box Quantity	Case Quantity
ELBATAAAA	AAAA	12	24
ELBATAAA	AAA	24	144
ELBATAA	AA	24	144
ELBATC	C	12	72
ELBATD	D	12	72
ELBATN	N*	12	-
ELBAT9V	9V	12	72
ELBAT6V	6V LANTERN	-	6
ELBATCC357	#357*	-	-

*These may be Energizer or Camelion brand.



Batteries are Energizer brand unless noted otherwise.

PRIMARY WIRE

SINGLE CONDUCTOR • STRANDED • COPPER

Part #	Wire Gauge	Color	Spool Size
ELWBL8	18	BLACK	100'
ELWBLU8	18	BLUE	100'
ELWBR8	18	BROWN	100'
ELWR8	18	RED	100'
ELWW8	18	WHITE	100'
ELWY8	18	YELLOW	100'
ELWBL6	16	BLACK	100'
ELWBLU6	16	BLUE	100'
ELWBR6	16	BROWN	100'
ELWG6	16	GREEN	100'
ELWO6	16	ORANGE	100'
ELWP6	16	PURPLE	100'
ELWR6	16	RED	100'
ELWW6	16	WHITE	100'
ELWY6	16	YELLOW	100'
ELWBL4	14	BLACK	100'
ELWBLU4	14	BLUE	100'
ELWBR4	14	BROWN	100'
ELWG4	14	GREEN	100'



Primary Wire is standard for all kinds of original equipment such as automotive, trucks, trailers, construction equipment, and tractors.

Part #	Wire Gauge	Color	Spool Size
ELWO4	14	ORANGE	100'
ELWP4	14	PURPLE	100'
ELWR4	14	RED	100'
ELWW4	14	WHITE	100'
ELWY4	14	YELLOW	100'
ELWBL2	12	BLACK	100'
ELWBLU2	12	BLUE	100'
ELWBR2	12	BROWN	100'
ELWG2	12	RED	100'
ELWR2	12	WHITE	100'
ELWW2	12	YELLOW	100'
ELWY2	12	RED	100'
ELWBL0	10	BLACK	100'
ELWBLU0	10	BLUE	100'
ELWR0	10	RED	100'
ELWW0	10	WHITE	100'

DUPLEX BRAKE CABLE

Part #	Wire Gauge	Spool Size
ELW02	10	500**
ELW02100	10	100'
ELW22	12	500**
ELW22100	12	100'
ELW42	14	500'
ELW42100	14	100'
ELW62	16	500'
ELW62100	16	100'

**Non-Stock. 2-3 day lead time.



Duplex Brake Cable consists of one black primary wire and one white primary wire covered with a gray PVC jacket.

TRAILER CABLE, BATTERY TERMINALS, & COPPER LUGS

TRAILER CABLE

Part #	Wire Gauge	No. of Wires	Spool Size
ELTC164100	16	4	100'
ELTC144100	14	4	100'



Trailer cable is 4, 6, or 7 primary wires covered with a flexible, black PVC jacket.

Don't see the wire you need? Call us for availability!

BATTERY TERMINALS

Part #	Type	Card Quantity
ELBPT	TOP POST	10
ELBTSM	SIDE MOUNT	10



COPPER LUGS

Part #	Wire Gauge	Stud Size	Package Quantity
ELCL804	8	1/4	25
ELCL805	8	5/16	25
ELCL604	6	1/4	25
ELCL605	6	5/16	25
ELCL606	6	3/8	10
ELCL404	4	1/4	10
ELCL405	4	5/16	10
ELCL406	4	3/8	10
ELCL408	4	1/2	10
ELCL204	2	1/4	10
ELCL205	2	5/16	10
ELCL206	2	3/8	10
ELCL208	2	1/2	10
ELCL104	1	1/4	10
ELCL105	1	5/16	10
ELCL106	1	3/8	10



Copper Lugs are perfect for large gauge applications. They can be crimped or soldered to wire.

Part #	Wire Gauge	Stud Size	Package Quantity
ELCL108	1	1/2	10
ELCL1/004	1/0	1/4	10
ELCL1/005	1/0	5/16	10
ELCL1/006	1/0	3/8	10
ELCL1/008	1/0	1/2	10
ELCL2/005	2/0	5/16	10
ELCL2/006	2/0	3/8	10
ELCL2/008	2/0	1/2	10
ELCL3/006	3/0	3/8	10
ELCL3/008	3/0	1/2	10
ELCL4/006	4/0	3/8	10

TRAILER CONNECTORS LOCKING HITCH PINS & ELECTRICAL JUNCTION BOXES

TRAILER CONNECTORS

Part #	Description
EQBPTC2064P	6 WAY ROUND TO 4 WAY ROUND ADAPTER PLASTIC
EQBPTC1067P	6-PIN ROUND TO 7-PIN FLAT RV ADAPTER
EQBPTC2007	7 PIN TRAILER CONNECTOR W/STAINLESS STEEL WEATHER COVER SPRING
EQBPTC2074P	7 PIN FLAT TO 4 PIN FLAT ADAPTER PLASTIC
EQBPTC2075P	7 PIN FLAT TO 5 PIN ROUND ADAPTER PLASTIC
EQBPTC2076P	7 PIN FLAT TO 6 PIN ROUND ADAPTER PLASTIC (CENTER PIN AUXILIARY POWER)
EQBPTC1077P	7 PIN ROUND TO 7 PIN FLAT PLASTIC PREWIRED 3" CONNECTION W/BUILT-IN LATCH
EQBPTC107	7-PIN FLAT TRAILER CONNECTOR BRACKET ZN
EQBPTC2967P	7-PIN FLAT PLASTIC RV TRAILER END CONNECTOR W/96" PREWIRED CABLE
EQBPTC2007P	7-PIN FLAT PLASTIC CONNECTOR TRAILER END
EQBPTC1007	7-PIN FLAT CONNECTOR VEHICLE END



ELECTRICAL JUNCTION BOXES

7 TERMINAL

Part #	Description
EQBP5601100	ELECTRICAL JUNCTION BOX W/7 TERMINALS



7 Terminal Electrical Junction Boxes are made specifically to provide convenient, sealed access for truck/trailer electrical connections. They feature:

- Seven 10-32 Studs w/Nuts & Lock Washers
- Coded Terminal Connections for Easy Identification
- High Impact Black Poly Box

LED LIGHTING & FUSES

LED LIGHTING

LICENSE PLATE LIGHT

Part #	Description
EQBP5622032	2 LED, CLEAR, 12V LICENSE PLATE LIGHT



ROUND MARKER LIGHTS

Part #	Description
EQBP5627513	3/4" 3 LED RED ROUND MARKER LIGHT W/GROMMET & PLUG
EQBP5627523	3/4" 3 LED AMBER ROUND MARKER LIGHT W/GROMMET & PLUG



ROUND TRUCK & TRAILER LIGHTS

Part #	Description
EQBP5624110	4" 10 LED, RED, ROUND STT LIGHT W/GROMMET & PLUG



FUSES

GLASS

Part #	Type	Amps	Box Quantity
ELFAGW15	AGW	15	5
ELFAGW20	AGW	20	5
ELFSFE20	SFE	20	5
ELFSFE30	SFE	30	5
ELFAGC01	AGC	1	5
ELFAGC02	AGC	2	5
ELFAGC03	AGC	3	5

Part #	Type	Amps	Box Quantity
ELFAGC05	AGC	5	5
ELFAGC075	AGC	7.5	5
ELFAGC10	AGC	10	5
ELFAGC15	AGC	15	5
ELFAGC20	AGC	20	5
ELFAGC25	AGC	25	5



BLADE

Part #	Type	Amps	Color	Box Quantity
ELFATO03	ATO/ATC	3	VIOLET	5
ELFATO05	ATO/ATC	5	TAN	5
ELFATO075	ATO/ATC	7.5	BROWN	5
ELFATO10	ATO/ATC	10	RED	5
ELFATO15	ATO/ATC	15	BLUE	5
ELFATO20	ATO/ATC	20	YELLOW	5
ELFATO25	ATO/ATC	25	CLEAR	5
ELFATO30	ATO/ATC	30	GREEN	5
ELFMIN05	MINI	5	TAN	5
ELFMIN075	MINI	7.5	BROWN	5

Part #	Type	Amps	Color	Box Quantity
ELFMIN10	MINI	10	RED	5
ELFMIN15	MINI	15	BLUE	5
ELFMIN20	MINI	20	YELLOW	5
ELFMIN25	MINI	25	CLEAR	5
ELFMIN30	MINI	30	GREEN	5
ELFMAX20	MAXI	20	YELLOW	1
ELFMAX30	MAXI	30	GREEN	1
ELFMAX40	MAXI	40	ORANGE	1
ELFMAX50	MAXI	50	RED	1
ELFMAX60	MAXI	60	BLUE	1



ALLIGATOR CLIPS, FLASHERS, CIRCUIT BREAKERS & TERMINAL BLOCKS

ALLIGATOR CLIPS

Part #	Amps	Type
ELAC30I	30	INSULATED
ELAC30N	30	UNINSULATED



30 Amp Alligator Clips come in insulated and uninsulated. Insulated will be supplied as 1/2 with a red jacket and 1/2 with a black jacket.

FLASHERS

Part #	Description	Box Quantity
ELFL552	2 PIN, 12V	10



CIRCUIT BREAKERS

12V • DC • AUTO RESET • METAL

Part #	Amp	Bracket Type
ELCB15AH	15	HORIZONTAL
ELCB15ANB	15	NONE
ELCB20AH	20	HORIZONTAL
ELCB20ANB	20	NONE
ELCB25ANB	25	NONE
ELCB30AH	30	HORIZONTAL
ELCB30ANB	30	NONE



These circuit breakers are single pole, thermal type breakers. The stud terminals have a 10-32 thread. The studs are .66" and .5" long. Mounting holes have a diameter of .196. Nuts and lock washers are included.

TERMINAL BLOCKS

SCREW TYPE

Part #	Gang
ELTBS04	8



These individual gang/non bussed terminal blocks provide a common area to neatly connect multiple wire connections. Each barrier is spaced .41" and each mounting area is spaced .563" center to center. They accept 10 to 22 AWG. Temperature rating is -40° F to 260° F and electrical rating is 30A at 600V.

SECTION 8: TAPES, SEALING, & ADHESIVES



CAULKS, SEALANTS, & THREADLOCKERS

CAULKS & SEALANTS

100 % SILICONE

Geocel 8125® 100% Silicone High Performance Acetoxy Cure Sealant is a high modulus, one-component sealant. It has excellent adhesion to non-porous surfaces and is able to withstand ±25% joint movement.

Part #	Package Size	Color	Case Quantity
CGC68111	10.3 OZ. TUBE	CLEAR	12
CGC68113	10.3 OZ. TUBE	BLACK	12
CGC59102	10.3 OZ. TUBE	WHITE	12



CONSTRUCTION TRYPOLYMER SEALANT

Geocel 2300® Construction Tripolymer Sealant is a single component, high-performance elastomeric sealant for use in a wide variety of roofing, trim, architectural metal, manufacturing, underdeck system, solar roof system, and general construction applications.

Part #	Package Size	Color	Case Quantity
CGC66100	10.3 OZ. TUBE	CLEAR	12
CGC66103	10.3 OZ. TUBE	BLACK	12
CGC66101	10.3 OZ. TUBE	WHITE	12

THREADLOCKERS

Pro Seal Blue Threadlocker is a medium strength, anaerobic threadlocker for fasteners up to a 3/4" diameter. It is resistant to gas, antifreeze, transmission fluid, and oil. It is removable with hand tools and is resistant to temperatures from -65° F to 300° F. (Anaerobic means it needs to be sealed off from air to harden)

Part #	Package Size	Description	Case Quantity
CPS24206	6ML BOTTLE	BLUE THREADLOCKER	12
CPS24250	50ML BOTTLE	BLUE THREADLOCKER	6



Pro Seal Red Threadlocker is a high strength, permanent, anaerobic threadlocker. It is resistant to gas, antifreeze, transmission fluid, and oil. It is resistant to temperatures from -65° F to 300° F and must be heated over 300° F to weaken the bond and loosen.

Part #	Package Size	Description	Case Quantity
CPS27106	6ML BOTTLE	RED THREADLOCKER	12
CPS27150	50ML BOTTLE	RED THREADLOCKER	6



Permatex Green Penetrating Threadlocker is a low viscosity threadlocking liquid that wicks along the threads of preassembled fasteners to secure them in place. Since it is applied after assembly, preventive maintenance procedures are simplified. Ideal for fasteners ranging from #2 to 1/2" (2.2 to 12mm) in size. Localized heating and hand tools are needed for disassembly.

Part #	Package Size	Description	Case Quantity
CP29000	6 ML TUBE	PENETRATING THREADLOCKER GREEN	12

SLEEVE RETAINER & GASKET MAKERS

SLEEVE RETAINER

Permatex Sleeve Retainer is an anaerobic adhesive that secures slip and press fit assemblies. It withstands temperatures up to 400° F, adds up to 3000 PSI holding power, and restores fit to worn or out-of-tolerance assemblies.

Part #	Package Size	Description	Case Quantity
CP64000	6ML TUBE	SLEEVE RETAINER	12
CP64040	40ML BOTTLE	SLEEVE RETAINER	6



GASKET MAKERS

Pro Seal Blue Silicone Gasket Maker replaces most precut gaskets, will not foul computer sensors, and withstands temperatures from -70° F to 400° F. It resists oil, transmission fluid, water, and antifreeze.

Part #	Package Size	Description	Case Quantity
CPS80006	3OZ. TUBE	BLUE SILICONE GASKET MAKER	12



Pro Seal Black Silicone Gasket Maker forms gaskets in place instantly and dries tough and flexible. It replaces cork, paper, asbestos, and felt precut gaskets and withstands temperatures from -70° F to 400° F. It resists oil, transmission fluid, water, and antifreeze.

Part #	Package Size	Description	Case Quantity
CPS80046	3OZ TUBE	BLACK SILICONE GASKET MAKER	12
CPS80047	10.3OZ. CAULK TUBE	BLACK SILICONE GASKET MAKER	12



Pro Seal Red Silicone Gasket Maker will not foul computer sensors. It is especially formulated for high temperatures, covering from -70° F to 600° F. It also resists high pressures up to 5,000 PSI. It resists oil, transmission fluid, water, and antifreeze.

Part #	Package Size	Description	Case Quantity
CPS80726	3OZ TUBE	RED SILICONE GASKET MAKER	12
CPS80729	8OZ. AEROSOL CAN	RED SILICONE GASKET MAKER	6



Master Black Plus Silicone Gasket Maker is sensor safe, non-corrosive, retains its flexibility, and gives max resistance to oils. It meets OE silicone gasket performance specs and withstands temperatures from -80° F to 600° F intermittent.

Part #	Package Size	Description	Case Quantity
CGM15BP	3.35OZ. TUBE	BLACK SILICONE GASKET MAKER	12
CGM15BP-4	10.6OZ. CAULK TUBE	BLACK SILICONE GASKET MAKER	12



Master Red Silicone Gasket Maker will not foul computer sensors. It is especially formulated for high temperatures covering from -70° F to 600° F. It resists oil, transmission fluid, water, and antifreeze.

Part #	Package Size	Description	Case Quantity
CGM7-1	3OZ. TUBE	RED SILICONE GASKET MAKER	12

GASKET MAKERS

Permatex Ultra Black Silicone Gasket Maker is fast curing, sensor safe, low odor, non-corrosive, vibration resistant, retains flexibility, and gives max resistance to oils. It meets OE silicone gasket performance specs and withstands temperatures from -65° F to 500° F intermittent.

Part #	Package Size	Description	Case Quantity
CP82180	3.35OZ. TUBE	BLACK SILICONE GASKET MAKER	12
CP24105	13OZ. CAULK TUBE	BLACK SILICONE GASKET MAKER	12



Permatex Ultra Grey Silicone Gasket Maker is sensor safe, low odor, non-corrosive, gives maximum joint movement resistance, and outstanding resistance to oils, cooling and shop fluids. It is eight times more flexible than cork/composite gaskets. It withstands temperatures from -65° F to 500° F intermittent.

Part #	Package Size	Description	Case Quantity
CP82194	3.35OZ. TUBE	GRAY SILICONE GASKET MAKER	12
CP82195	11OZ. CAULK TUBE	GRAY SILICONE GASKET MAKER	6



Permatex Right Stuff Gasket Maker makes leak proof gaskets and allows you to return equipment to service immediately. It is Permatex' premier instant gasket maker. It is sensor safe, fleet tested, oil, coolant, and shop fluid resistant. Temperature range is -75° F to 500° F intermittent.

Part #	Package Size	Description	Case Quantity
CP25224	7OZ. AEROSOL CAN	RIGHT STUFF GASKET MAKER	6
CP29208	5OZ. CAULK TUBE	RIGHT STUFF GASKET MAKER	6
CP33694	10.1 OZ. CAULK TUBE	RIGHT STUFF GASKET MAKER	6
CP99070	2 X 5OZ. CAULK TUBE W/CAULK GUN	RIGHT STUFF GASKET MAKER	4



Permatex Anaerobic Gasket Maker is a non-corrosive gasketing material designed primarily for use on aluminum, iron, and steel flanged mating surfaces. It fills gaps up to .015" and cures to a solvent resistant seal that will not tear or decay. Disassembly and removal is easy.

Part #	Package Size	Description	Case Quantity
CP51813	50ML TUBE	ANAEROBIC GASKET MAKER	6



Permatex High Tack Spray-a-Gasket is a fast-drying, all-purpose sealant which dries to a highly tacky, non-brittle film. It can be applied in advance for ease of assembly. It is resistant to gas, oil, antifreeze, kerosene, propane, and butane and withstands temperatures of -65° F to 500° F.

Part #	Package Size	Description	Case Quantity
CP80065	9OZ. AEROSOL CAN	HIGH TACK SPRAY-A-GASKET	12



GASKET MAKERS, SEAL-ALL, & WEATHERSTRIP ADHESIVE

GASKET MAKERS

Permatex Copper Gasket Spray is a fast-drying, metallic copper sealant. It helps dissipate heat, prevents gasket burnout, and improves heat transfer. It resists all types of automotive fluids and withstands temperatures of -50° F to 500° F.

Part #	Package Size	Description	Case Quantity
CP80697	9OZ. AEROSOL CAN	COPPER GASKET SPRAY	12



Permatex Form-A-Gasket #2 is a slow-drying, non-hardening sealant for aviation and automotive use. It is resistant to gas, oil, and grease and withstands temperatures of -65° F to 400° F.

Part #	Package Size	Description	Case Quantity
CP80016	3OZ. TUBE	FORM-A-GASKET #2	12



Permatex Tack & Seal Gasket Sealant is non-hardening for easy disassembly. It keeps large gaskets in place during positioning and assembly and it does not stain. It resists engine fluids including diesel and synthetic oils and withstands temperatures of -65° F to 400° F.

Part #	Package Size	Description	Case Quantity
CP80938	1.25OZ. TUBE	TACK & SEAL GASKET SEALANT	12

SEAL-ALL

Seal-All Adhesive adheres to all substrates and materials with superior strength with the exceptions of paper, cardboard, and Styrofoam. It is ideal for automotive and garage repairs and is effective in stopping existing leaks.

Part #	Package Size	Description	Case Quantity
CSAA	2OZ. TUBE	SEAL-ALL	6



WEATHERSTRIP ADHESIVE

Weatherstrip Adhesive is a high strength fast drying adhesive which bonds rubber, fabric, vinyl, upholstery, and more. It is resistant to kerosene, water, gas, and antifreeze.

Part #	Package Size	Description	Case Quantity
CWSA	5OZ. TUBE	BLACK WEATHERSTRIP ADHESIVE	12



WEATHERSTRIP, ELECTRICAL TAPE, PACKAGING TAPE, DUCT TAPE, & TEFLON TAPE

WEATHERSTRIP

ADHESIVE BACKED • SPONGE

Part #	Size	Roll Length
AV04851	5/32 X 1/2	50'



Adhesive Backed Sponge Weatherstrip is a light-weight closed cell sponge material. It is simple to use, simply pull back the liner tape and press onto a clean dry surface. Size is given as thickness X width.

ELECTRICAL TAPE

VINYL

Part #	Size	Color	Sleeve Quantity
ELET	3/4" X 60'	BLACK	10 ROLLS
ELETB	3/4" X 66'	BLUE	10 ROLLS
ELETR	3/4" X 66'	RED	10 ROLLS
ELETW	3/4" X 66'	WHITE	10 ROLLS



Electrical Tape is UL approved.

ELECTRICAL TAPE

LIQUID

Part #	Color	Bottle Size	Case Quantity
ELETLB	BLACK	4 OZ.	12
ELETLR	RED	4 OZ.	12

Liquid Electrical Tape is used to insulate and protect electrical splices and connections. It will not unravel or deteriorate and provides a waterproof coating. Bottles come with a brush-on applicator on the lid.



PACKAGING TAPE

ACRYLIC • CLEAR

Part #	Size	Thickness	Package Quantity
EQPT	2" X 110 YD	1.8 MIL	6

DUCT TAPE

GENERAL PURPOSE • GRAY

Part #	Size	Thickness	Package Quantity
EQDT	2" X 55 YD	7.0 MIL	6

TEFLON TAPE

Part #	Size	Thickness	Sleeve Quantity
EQTT	1/2" X 260"	0.0035"	10



O-RINGS



Buna N O-Rings are a common and simple form of seal. They are designed to be seated in a groove and compressed between two parts and are recommended for use with oil, gas, propane, and water. Size is given as the ID by the OD.

1/16 SECTION • BUNA-N • MADE IN USA OR IMPORTED

Part #	Size	Discount Quantity
EQOR203	3/32 X 7/32	100
EQOR204	1/8 X 1/4	100
EQOR205	5/32 X 9/32	100
EQOR206	3/16 X 5/16	100
EQOR207	7/32 X 11/32	100
EQOR208	1/4 X 3/8	100
EQOR210	5/16 X 7/16	100
EQOR212	3/8 X 1/2	100
EQOR214	7/16 X 9/16	100
EQOR216	1/2 X 5/8	100
EQOR218	9/16 X 11/16	100

Part #	Size	Discount Quantity
EQOR220	5/8 X 3/4	100
EQOR222	11/16 X 13/16	100
EQOR224	3/4 X 7/8	100
EQOR226	13/16 X 15/16	100
EQOR228	7/8 X 1	100
EQOR230	15/16 X 1 1/16	100
EQOR232	1 X 1 1/8	100
EQOR238	1 3/16 X 1 5/16	100
EQOR244	1 3/8 X 1 1/2	100
EQOR256	1 3/4 X 1 7/8	100
EQOR260	1 7/8 X 2	100

3/32 SECTION • BUNA-N • MADE IN USA OR IMPORTED

Part #	Size	Discount Quantity
EQOR308	1/4 X 7/16	100
EQOR310	5/16 X 1/2	100
EQOR312	3/8 X 9/16	100
EQOR314	7/16 X 5/8	100
EQOR316	1/2 X 11/16	100
EQOR318	9/16 X 3/4	100
EQOR320	5/8 X 13/16	100
EQOR322	11/16 X 7/8	100
EQOR324	3/4 X 15/16	100
EQOR326	13/16 X 1	100
EQOR328	7/8 X 1 1/16	100
EQOR330	15/16 X 1 1/8	100
EQOR332	1 X 1 3/16	100

Part #	Size	Discount Quantity
EQOR334	1 1/16 X 1 1/4	100
EQOR336	1 1/8 X 1 5/16	100
EQOR338	1 3/16 X 1 3/8	100
EQOR340	1 1/4 X 1 7/16	100
EQOR342	1 5/16 X 1 1/2	100
EQOR344	1 3/8 X 1 9/16	100
EQOR346	1 7/16 X 1 5/8	100
EQOR348	1 1/2 X 1 11/16	100
EQOR352	1 5/8 X 1 13/16	100
EQOR364	2 X 2 3/16	100
EQOR366	2 1/16 X 2 1/4	100
EQOR370	2 3/16 X 2 3/8	100

O-RINGS

1/8 SECTION • BUNA-N • MADE IN USA OR IMPORTED

Part #	Size	Discount Quantity
EQOR410	5/16 X 9/16	100
EQOR420	5/8 X 7/8	100
EQOR424	3/4 X 1	100
EQOR426	13/16 X 1 1/16	100
EQOR428	7/8 X 1 1/8	100
EQOR430	15/16 X 1 3/16	100
EQOR432	1 X 1 1/4	100
EQOR434	1 1/16 X 1 5/16	100
EQOR436	1 1/8 X 1 3/8	100
EQOR438	1 3/16 X 1 7/16	100
EQOR440	1 1/4 X 1 1/2	100
EQOR442	1 5/16 X 1 9/16	100
EQOR444	1 3/8 X 1 5/8	100
EQOR446	1 7/16 X 1 11/16	100
EQOR448	1 1/2 X 1 3/4	100
EQOR452	1 5/8 X 1 7/8	100
EQOR456	1 3/4 X 2	100
EQOR460	1 7/8 X 2 1/8	100
EQOR464	2 X 2 1/4	100
EQOR468	2 1/8 X 2 3/8	100
EQOR472	2 1/4 X 2 1/2	100
EQOR480	2 1/2 X 2 3/4	100
EQOR488	2 3/4 X 3	100
EQOR496	3 X 3 1/4	100
EQOR4104	3 1/4 X 3 1/2	100
EQOR4112	3 1/2 X 3 3/4	100
EQOR4120	3 3/4 X 4	100

3/16 SECTION • BUNA-N • MADE IN USA OR IMPORTED

Part #	Size	Discount Quantity
EQOR648	1 1/2 X 1 7/8	100
EQOR652	1 5/8 X 2	100
EQOR656	1 3/4 X 2 1/8	100
EQOR660	1 7/8 X 2 1/4	100
EQOR664	2 X 2 3/8	100
EQOR666	2 1/8 X 2 1/2	100

INDEX

2 Cycle Oil	325
3 Point Hitch Replacement Balls	296
3 Way Connectors	442
3M Sealant Filled Connectors	440
5th Wheel Lube	325
Abrasives	364-378
Acme Heavy Hex Nuts	54
ACME Threaded Rod	106
Acorn Nuts	49-50
1/8 Stainless Steel Coarse Thread	50
Coarse Thread Nickel Plated	50
Air Compressor Oil	323
Air Fittings	413-415
Air Hose Coiled Yellow Nylon	420
Air Hose Fittings	413-415
Air Tool Conditioner	331
Air Tool Lubricant	323
All Metal Top Lock Nuts	60-61
Collar Style Grade 9 Coarse Thread Cadmium Yellow & Wax	61
Grade C Coarse Thread Zinc & Wax	60
Grade C Fine Thread Zinc & Wax	60
Allen Head Bolts	113-119
Allen Wrenches	387
Alligator Clamps	452
Alloy Connecting Links	431
Alternator Terminals	441
Anchor Shackles	431
Anchors	107-110
Conical	108
Drywall	108-109
Foundation	108
Lag Shield	110
Screw	109
Sleeve	108
Toggle Wings	110
Wedge	107
Weld Stud	110
Antifreeze	313
Antiseize	335
Assortments	178-179
Auto Greaser Adapters	317
Auto Greasers	317
Automatic Transmission Fluid	313
Ball Mounts	433
Batteries	448
Battery Terminals	449
Bearing Housings	216-217
2 Hole Flange	216
3 Hole Flange	217
4 Hole Flange	216
Pillow Blocks	216
Small 2 Hole Flange	217
Take Up Housing	217
Bearing Inserts	212-215
Eccentric Locking Collar Greasable Narrow Inner Race Spherical Outer Race	215
Eccentric Locking Collar Greasable Wide Inner Race Spherical Outer Race	213
Eccentric Locking Collar Greasable Wide Inner Race Spherical Outer Race Triple Lip Seal	213
Eccentric Locking Collar Non-Greasable Narrow Inner Race Cylindrical Outer Race	215
Eccentric Locking Collar Non-Greasable Narrow Inner Race Spherical Outer Race	215
Replacement for Idler Sprockets	261
Set Screw Locking Greasable Narrow Inner Race Spherical Outer Race	214
Set Screw Locking Greasable Wide Inner Race Cylindrical Outer Race W/Snap Ring	214
Set Screw Locking Greasable Wide Inner Race Spherical Outer Race	212
Set Screw Locking Greasable Wide Inner Race Spherical Outer Race Medium Duty	214
Set Screw Locking Greasable Wide Inner Race Spherical Outer Race Triple Lip Seal	212
Bearings Economy	221-222
2 Hole Flange Eccentric Locking Collar Greasable Wide Inner Race	222
2 Hole Flange Set Screw Locking Greasable Wide Inner Race	222
4 Hole Flange Eccentric Locking Collar Greasable Wide Inner Race	221
4 Hole Flange Set Screw Locking Greasable Wide Inner Race	221
Pillow Block Eccentric Locking Collar Greasable Wide Inner Race	221
Pillow Block Set Screw Locking Greasable Wide Inner Race	221
Bearings IPTCI	218-219
2 Hole Flange Eccentric Locking Collar Greasable Wide Inner Race	219
2 Hole Flange Set Screw Locking Greasable Wide Inner Race	219
4 Hole Flange Set Screw Locking Greasable Wide Inner Race	219
Hanger Unit Set Screw Locking Greasable Wide Inner Race	219
Pillow Block Eccentric Locking Collar Greasable Wide Inner Race	218
Pillow Block Eccentric Locking Collar Greasable Wide Inner Race Triple Lip Seal	219
Pillow Block Set Screw Locking Greasable Narrow Inner Race	219
Pillow Block Set Screw Locking Greasable Wide Inner Race	218
Take Up Housing Set Screw Locking Greasable Wide Inner Race	219
Bearings-Disc & Harrow	228
Bearings-Special Ag	233
Bearings-Tapered Roller	227, 229-230
Bearings-Wheel	227
Bearings-Wheel Barrow	226
Belt Dressing	333
Bent Pins	133
Beveled Washers	72
Bit Holder Super Magnetic	387
B'laster PB50 All Purpose Lube	329
B'laster Penetrating Catalyst	329
Blind Rivets	135-138
Bolt Bins	180
Bolt Extractors	355
Bolts	5-39
Carriage	20-24
Elevator	33
Eye	34-35
Flange	27-29
Hanger	36
Hex	5-19
Hex Tap	31-32
Lag	25-26
Plow	29-30
Square Head	39
Step	32
Structural	38-39
U-Bolts	35-36
Wheel	39
Bow Tie Locking Cotters	130
Brake Cable	448
Brake Cleaner	331
Brake Finishing	333
Brake Fluid	314
Brake Lines Poly-Vinyl Coated Steel	418
Brass Fittings	392-406
Bridge Pins	129
Bullets	439, 444
Female Brass (Tin Plated) Nylon Insulated	439
Female Brass (Tin Plated) Vinyl Insulated	439
Heat Shrink Insulated	444
Male Brass (Tin Plated) Vinyl Insulated	439
Bushings	241, 243-246
Double Split Taper	245-246
H	241
QD	243-244

INDEX

Bushings, Powdered Metal	249
Bushings, Reducer	261
Butt Connectors	436, 442, 443, 445
Brass (Tin Plated) Vinyl Insulated	436
Copper (Tin Plated) Nylon Insulated	436
Crimp & Solder Heat Shrink Insulated	443
Crimp Heat Shrink Insulated	443
Step Down Nylon Insulated	436
Uninsulated	442
Cabinets	180-181
Cable Clamps	422
Cable Ties	446
Cap Nuts	49-50
Cap Nuts	49-50
Car Care Products	336
Carb & Choke Cleaner	331
Carriage Bolts	20-24
18/8 Stainless Steel Coarse Thread	24
Grade 5 Coarse Thread Zinc Plated	22-23
Grade 8 Coarse Thread Zinc Plated	24
Grade A307 Coarse Thread Hot Dip Galvanized	22
Grade A307 Coarse Thread Zinc Plated	20-22
Castle Nuts	51
Caulk	454
Chain & Bar Lube	324
Chain Binders	432
Lever Type	432
Ratchet Type	432
Chain Hooks	427-428
Clevis Grab Alloy	427
Clevis Grab Grade 70	427
Clevis Grab High Test	427
Clevis Safety Slip Grade 70	428
Clevis Slip High Test	428
Eye Grab High Test	428
Eye Safety Slip High Test	428
Eye Slip High Test	428
Chain-304 Stainless Steel	426
Chain-Alloy Grade 80 Self Colored or Black Laquer Finish	427
Chain-Coil, Straight Link	428
Chain-Double Loop	429
Chain-High Test Grade 43 Self Colored	426
Chain-Jack	429
Chain-Machine, Straight Link	429
Chain-Machine, Twist Link	429
Chain-Proof Coil Grade 30 Zinc Plated	426
Chain-Sash	429
Chain-Transport Grade 70 Yellow Chromate Finish	426
Circuit Breakers 12V DC Auto Reset Metal	452
Cleaning Chemicals	331
Clevis Pins	127-129
Cotterless Zinc Plated	129
Plain Finish	128
Universal Zinc Plated	129
Zinc Plated	128
Clevises	431
Coil Chain Straight Link	428
Coiled Spring Pins	127
Cold Shuts	430
Cold Weld Compounds	334
Compression Fittings-Brass	397-398
Concrete Screws	100
Cooling Systems Additive	328
Copper Lugs	449
Cotter Pins	124-125
18/8 Stainless Steel	125
Zinc Plated	124
Countersinks	358
Coupling Nuts	49
Cross Bearings	297
Crystal Green Hand Cleaner	337
Cut-Off Wheels	365-367
Cutting Oils	321
Cyclo Breakaway Penetrant	329
Die Grinder Cut-Off Wheels	365
Die Stock	360
Dies	361
Disc & Harrow Bearings	228
DOT Fittings-Brass	401-406
Double Clevis Links	430
Double End Snaps	432
Double Loop Chain	429
Double Male Single Female Quick Connect Adapter	442
Double Tab Spot-Weld Nuts No Projections	144
Dowel Pins	134
Dowel Screws	36
Drawer Slide Racks	180
Drill Bit Cabinet	359
Drill Bits	347-358
Drilling Oil	321-322
Drive Bits	383-387
Drive Zerks	304
Dry Lubes	330
Drywall Anchors	108-109
Drywall Screws	103
Duct Tape	458
Duplex Brake Cable	448
Eccentric Locking Collars	218
E-Clips	149
Electric Parts Cleaner	331
Electrical Junction Boxes 7 Terminal	450
Electrical Tape	458
Liquid	458
Vinyl	458
Electrical Terminals	436-445
Elevator Bolts	33
Emery Cloth	377
Emery Screen	388
Engine Oils	311, 312
Extension Bars	383, 387
Extra Length Drill Bits	354
Eye Bolts	34
Eye Lags	35
Fast Orange Hand Cleaner	337
Fender Washers	73
Finishing Washers	78
Flags	439
Flange Lock Nuts	62
Flange Screws	27-29
Grade 8 Coarse Thread Phosphate & Oil Finish	27-28
Grade 8 Fine Thread Phosphate & Oil Finish	28
Serrated Grade 5 Coarse Thread Zinc Plated	28-29
Flanges (Stamped)	222-224
2 Hole	222
2 Hole Flush Mount	222
3 & 4 Hole Round	223
3 Hole Triangular	224
Greaseable 3 & 4 Hole Round	224

INDEX

Heavy 3 & 4 Hole Round	223
Pillow Blocks	223
Flap Discs	370-371
Flap Wheels	372
Flashers	452
Flat Washers	64-69, 76
18/8 Stainless Steel	69
Aluminum	69
Large OD Extra Thick 300 Series Stainless Steel	69
Nylon	76
SAE 18/8 Stainless Steel	67
SAE Extra Thick Grade 8 Yellow Zinc	68
SAE Grade 8 Yellow Zinc	67
SAE Plain Finish	67
SAE Thick Grade 9 Yellow Zinc	68
SAE Zinc Plated	67
Small OD Extra Thick 300 Series Stainless Steel	69
USS 18/8 Stainless Steel	65
USS Grade 8 Yellow Zinc	65
USS Hot Dip Galvanized	65
USS Plain Finish	65
USS Thick Grade 8 Yellow Zinc	66
USS Zinc Plated	64
Flex Type Lock Nuts	63
Floor Dry	333
Floorboard Screw	98
Food Machinery Oil	325
Foundation Anchor Bolts	108
Frame Bolts	27-28
Frame Nuts	62
Freeze Off Super Penetrant	329
Fuel Additives	325-326
Fuel Injection Hose	419
Fuel Line	419
Fully Insulated Quick Connects	438, 444, 445
Female Brass (Tin Plated) Nylon Insulated	438
Female Oval Brass (Tin Plated) Nylon Insulated	438
Heat Shrink Insulated	444, 445
Male Brass (Tin Plated) Nylon Insulated	438
Male Oval Brass (Tin Plated) Nylon Insulated	438
Fuses	451
Blade	451
Glass	451
Galvanized Steel Cable	422
Clear Vinyl Coated	422
Gas Line Antifreeze (Isopropyl)	328
Gasket Makers	455-457
Gear Oil	309
Gibbs	329
Glass Cleaner	336
Gojo Orange Hand Cleaner	337
Gojo Power Gold Hand Cleaner	337
Grease	315-317
Aerosol White	317
Dielectric Tune-Up	317
Electric Motor Bearing	316
Food Grade	316
Gear Shield	317
High Temp.	316
Motor Assembly	317
Multi-Purpose	315-316
Pourable	316
Synthetic	317
Grease Fittings	303-304
Button Head National Pipe Thread Yellow Zinc	304
Female National Pipe Thread	304
Metric Yellow Zinc	304
National Pipe Thread Yellow Zinc	303
Sae Parallel Fine Thread Yellow Zinc	303
Sae Tapered Fine Thread Yellow Zinc	303
Thread Forming Sae Fine Thread Yellow Zinc	303
Grease Gun Accessories	320
Grease Guns	320
Grinding Wheels	367-368
Grommets	151
Hacksaw Blades	382
Half Moon Keys	300
Hand Cleaners	337
Hanger Bolts	36
Hard Steel Drill Bits	357
Heat Shrink Bullets	444
Heat Shrink Butt Connectors	443, 445
Crimp Only	443, 445
Solder & Crimp	443
Heat Shrink Fully Insulated Quick Connects	444, 445
Heat Shrink Ring Terminals	443, 445
Heat Shrink Snap Spades	444
Heat Shrink Spades	444, 445
Heat Shrink Tubing	447
Heater Hose	419
Heavy Hex Nuts	45-46
Heli Coil	176
Hex Bolts	7-8
Grade 2 (A307) Coarse Thread Zinc Plated	7
Grade 2 Coarse Thread Hot Dip Galvanized	8
Hex Bore Bearings	233
Hex Cap Screws	9-19
18/8 Stainless Steel Coarse Thread	18-19
Aluminum Coarse Thread	19
Grade 5 Coarse Thread Plain Finish	12
Grade 5 Coarse Thread Zinc Plated	9-11
Grade 8 Coarse Thread Yellow Zinc	12-15
Grade 8 Fine Thread Yellow Zinc	15-17
Grade 9 Coarse Thread Yellow Zinc	17
Grade 9 Fine Thread Yellow Zinc	18
Hex Keys	387
Hex Nut Sleeve Anchors	108
Hex Nuts	40-43
18/8 Stainless Steel Coarse Thread	43
18/8 Stainless Steel Fine Thread	43
Aluminum Coarse Thread	43
Grade 2 Coarse Thread Hot Dip Galvanized	41
Grade 2 Coarse Thread Plain Finish	41
Grade 2 Coarse Thread Zinc Plated	40
Grade 2 Fine Thread Zinc Plated	41
Grade 5 Coarse Thread Plain Finish	42
Grade 5 Coarse Thread Zinc Plated	41
Grade 5 Fine Thread Zinc Plated	41
Grade 8 Coarse Thread Yellow Zinc	42
Grade 8 Fine Thread Yellow Zinc	42
Grade 9 Coarse Thread Yellow Zinc	42
Hex Tap Bolts	31-32
18/8 Stainless Steel Coarse Thread	32
Grade 5 Coarse Thread Zinc Plated	31
Grade A307 Coarse Thread Zinc Plated	31
Hex Weld Lock Nuts	145
Hex Weld Nuts	143
High Hex Nuts	53

INDEX

Hitch Balls	433	Lead Substitute	326
Hitch Pins	132-133	LED Lighting	451
Cotterless Zinc Plated	133	Left Hand Drill Bits	355
Red Handled	133	Left Hand Hex Jam Nuts	52
Swivel Handle Yellow Zinc	132	Left Hand Hex Nuts	52
Hole Cutters	363	Lighting	451
Hole Hog Sets	363	Load Binders	432
Hole Hogs	363	Lock Nuts	55-63
Hole Saws	380	All Metal Top Lock	60-61
Hook Terminals	437	Flanged	62
Hose	419-420	Jam Nylon Insert	58
Air	420	Keps	62
Fuel	419	Nylon Insert	55-58
Fuel Injection	419	Reversible	61
Heater	419	Serrated Flange	59
Vacuum Tubing	420	Lock Pins	131-132
Hose Barb Fittings-Brass	399-401	Coil Tension Zinc Plated	132
Hose Clamps	416-417	Double Wire Zinc Plated	131
Spring Action Spring Steel	417	Single Wire Zinc Plated	131
Wire Type Steel	417	Lock Washers	70-71
Worm Gear All Stainless	416	External Tooth 400 Series Stainless	71
Worm Gear Part Stainless	416	External Tooth Zinc Plated	71
Howe's Diesel Treat	326	Internal Tooth Zinc Plated	71
Hub Oil	328	Split 18/8 Stainless Steel	70
Hubs, Weld-On	256-259	Split Alloy Yellow Zinc Plated	70
Hydraulic Fluid	308	Split Hot Dip Galvanized	70
Hydraulic Fluid Additive	328	Split Zinc Plated	70
Hydraulic Jack Oil	324	Locking Hitch Pins	433
Instant Tap Connectors	440	Loom Clamps	446-447
Jack Chain	429	Black Vinyl Coated	446
Jacks	434	Removable EPDM Rubber Jacket	447
Jam Nuts	44-45	Lovejoy Type Couplings	290-291
18/8 Stainless Steel Coarse Thread	45	Lubegard ATF Protectant (Red)	327
18/8 Stainless Steel Fine Thread	45	Lubegard Highly Friction Modified ATF Supplement (Black)	327
Grade 2 Coarse Thread Zinc Plated	44	Lubegard Kooler Kleen	328
Grade 2 Fine Thread Zinc Plated	44	Lubegard Kool-It	328
Grade A Coarse Thread Zinc Plated	44	Lubegard M-V ATF Supplement (Green)	327
Grade A Fine Thread Zinc Plated	44	Lubegard Power Steering Protectant	328
Nylon Insert Lock Nuts	58	Lubegard Shudder Fixx	328
Jaw Couplings	290-291	Lubriplate Chain & Cable Fluid	329
Buna-N Spiders	290	Lucas Bio Medic Fuel Sterilizer	326
Halves	290	Lucas Fuel Treatment	325
Hytrek Spiders	291	Lucas Hub Oil	328
Jig-Saw Blades	382	Lucas Hydraulic Boost	328
Jobber Length Drill Bits	347-350	Lucas Oil Stabilizer	327
Type 240 High Speed Steel 118° Point	349	Lucas Power Steering Stop Leak	328
Type 240 Sets	349	Lucas Synthetic Oil Stabilizer	327
Type 240 UB Sets	348	Lucas Transmission Fix	327
Type 240-D M42 Cobalt 135° Split Point	350	Lynch Pins	130
Type 240UB Ultra Bor Super Premium 135° Split Point	347-348	M2000 Spherical Roller Bearings	231-232
Keps Nuts	62	Machine Chain Straight Link	429
Key Stock	298	Machine Chain Twist Link	429
Rectangular Undersized 12" Length	298	Machine Screws	82-89
Square Undersized 12" Length	298	Hex Head Coarse Thread 18/8 Stainless Steel	88
Square Undersized Cut to Length	298	Hex Head Coarse Thread Zinc Plated	88
Step 12" Length	298	Hex Head Fine Thread Zinc Plated	88
Keyed Shafts	289	Hex Washer Head Coarse Thread 18/8 Stainless Steel	89
Keystock Rack	181	Hex Washer Head Coarse Thread Zinc Plated	89
Lag Screws	25-26	Phillips Flat Head Coarse Thread 18/8 Stainless Steel	85
18/8 Stainless Steel	26	Phillips Flat Head Coarse Thread Zinc Plated	85
Hot Dip Galvanized	26	Phillips Flat Head Fine Thread 18/8 Stainless Steel	85
Zinc Plated	25	Phillips Oval Head Coarse Thread 18/8 Stainless Steel	88
Lag Shields	110	Phillips Oval Head Coarse Thread Zinc Plated	88
Lanyards	134	Phillips Pan Head Coarse Thread 18/8 Stainless Steel	87

INDEX

Phillips Pan Head Coarse Thread Zinc Plated	86
Phillips Pan Head Fine Thread 18/8 Stainless Steel	87
Phillips Pan Head Fine Thread Zinc Plated	86
Phillips Truss Head Coarse Thread 18/8 Stainless Steel	89
Phillips Truss Head Coarse Thread Zinc Plated	89
Phillips Truss Head Fine Thread 18/8 Stainless Steel	89
Slotted Flat Head Coarse Thread Zinc Plated	82
Slotted Flat Head Fine Thread Zinc Plated	82
Slotted Round Head Coarse Thread 18/8 Stainless Steel	84
Slotted Round Head Coarse Thread Brass	84
Slotted Round Head Coarse Thread Zinc Plated	83
Slotted Round Head Fine Thread Zinc Plated	83
Slotted Truss Head Coarse Thread 18/8 Stainless Steel	84
Slotted Truss Head Coarse Thread Zinc Plated	84
Slotted/Phillips Combo Round Head Coarse Thread Zinc Plated	87
Machine Taps	360
Machinery Bushings	74-75
Narrow Rim 10 Gauge Plain Finish	75
Narrow Rim 14 Gauge Plain Finish	74
Narrow Rim 18 Gauge Plain Finish	74
Wide Rim 10 Gauge Plain Finish	75
Wide Rim 14 Gauge Plain Finish	75
Wide Rim 18 Gauge Plain Finish	75
Magnetic Nut Setters	383, 386
Marvel Mystery Oil	326
Masonry Drill Bits	356
Mechanics Length Drill Bits	352
Metal Working Fluids	321-322
Aerosol	321
Dark	321
Water Soluble	321-322
Metric All Metal Top Lock Nuts	166
Metric Carriage Bolts	159
Metric Dies	362
Metric Drill Bits	357
Metric Flange Nuts	165
Metric Flange Screws	159-160
Class 10 Coarse Thread Phosphate & Oil Finish	160
Serrated Class 8 Coarse Thread Zinc Plated	159
Metric Flange Top Lock Nuts	166
Metric Flat Washers	167
18/8 Stainless Steel	167
Class 10 Yellow Zinc	167
Zinc Plated	167
Metric Hex Cap Screws	152-158, 161
18/8 Stainless Steel	158
Class 10.9 Coarse Thread Zinc Plated	155-156
Class 10.9 Extra Fine Thread Zinc Plated	157
Class 10.9 Fine Thread Zinc Plated	157
Class 8.8 Coarse Thread Zinc Plated	153-154
Class 8.8 Extra Fine Thread Zinc Plated	155
Class 8.8 Fine Thread Zinc Plated	154-155
DIN 933 Class 8.8 Fully Threaded Coarse Thread Zinc Plated	161
Metric Hex Nuts	161-162
18/8 Stainless Steel	162
Class 10 Coarse Thread Zinc Plated	162
Class 10 Extra Fine Thread Zinc Plated	162
Class 10 Fine Thread Zinc Plated	162
Class 8 Coarse Thread Zinc Plated	161
Class 8 Extra Extra Fine Thread Zinc Plated	162
Class 8 Extra Fine Thread Zinc Plated	162
Class 8 Fine Thread Zinc Plated	162
Metric Hex Weld Nuts	175
Metric Lock Washers	168-169
External Tooth Zinc Plated	169
Split 18/8 Stainless Steel	168
Split Yellow Zinc	168
Split Zinc Plated	168
Metric Machine Screws	169
Metric Nylon Insert Lock Nuts	164
Metric Socket Button Head Cap Screws	173
Metric Socket Flat Head Cap Screw	172-173
Metric Socket Head Cap Screws	170-172
Class 12.9 Coarse Thread Plain Finish	170-171
Class 12.9 Fine Thread Plain Finish	172
Low Head Class 10.9 Coarse Thread Plain Finish	172
Metric Socket Set Screws	174
Metric Spring Pins	175
Metric Taps	361-362
Type 21-UB Ultra Bor Super Premium Spiral Point Plug Style	361
Type 31-UB Ultra Bor Super Premium Taper Style	361
Type 780 Hi-Carbon Plug Style	362
Metric Threaded Rod	170
Metric Wing Nuts	163
Muffler Clamps	417
Muffler Hangers	417
Nut Drivers	383, 386
Nuts	40-55
Acme	54
Acorn	49-50
Cap	49-50
Castle	51
Coupling	49
Heavy Hex	45-46
Hex	40-43
High Hex	53
Jam	44-45
Left Hand Hex	52
Lock	55-63
Push	150
Rivet	139
Self Clinching	53
Slotted	50-51
Spring	55
Square	48
T-Prong	48
Wheel	55
Wing	47
Nylon Insert Lock Nuts	55-58
18/8 Stainless Steel Coarse Thread	58
18/8 Stainless Steel Coarse Thread Waxed	58
Coarse Thread Black	56
Grade A Coarse Thread Zinc Plated	56
Grade A Fine Thread Zinc Plated	56
Grade C Coarse Thread Yellow Zinc	57
Grade C Fine Thread Yellow Zinc	57
Oil Additives	326-327
Oil Dry	333
O-Rings	459-460
Outboard Oil	325
P Clamps	445-446
Packaging Tape	458
Paint	338-341
Penetrating Oils	329
Phillips Drive Bits	384, 386
Phillips Flat Head Sleeve Anchors	108
Pig Mats	336
Piggy Back Terminals	442

INDEX

Pigtail Connector	440
Pins	124-134
Bent	133
Bridge	129
Clevis	127-129
Cotter	124-125
Dowel	134
Hitch	132-133
Hitch Pin Clips	129
Lock	131-132
Lynch	130
R	129
Roll	125-127
Spring	125-127
Pintle Chain	288
Pintle Chain Connecting & Attachment Links	288
Pipe Dope	335
Pipe Fittings	407-412
Plastic Conical Anchors	108
Plow Bolts	29-30
170M PSI Tensile Strength Coarse Thread Plain Finish Dome Head	30
Grade 5 Coarse Thread Plain Finish #3 Head	29
Grade 5 Coarse Thread Plain Finish Clipped Head	30
Grade 5 Coarse Thread Plain Finish Oversize Head	30
Grade 8 Coarse Thread Plain Finish	30
Pneumatic Fittings	413-415
Pop Rivets	135-138
Power Service Diesel Fuel Supplement	325
Power Steering Additives	328
Power Steering Fluid	314
Primary Wire	448
PSA Discs	375-376
Pulleys	236-250
Backside Idler	250
Bored to Size Double Groove	238
Bored to Size Single Groove	236-237
Double Split Taper	245
Frontside Idler	250
Heavy Duty Single, Double, Triple Groove	242
Light Duty Double Groove	240
Light Duty Single Groove	239
Variable Pitch	246
Weld-On	247
Wire Rope	248
Pump Adapters Splined Male to Round Bore Female	296
Push In Fittings-Brass	395-396
Push Nut Retainers	150
Push-On Retainers	150
Cap Type Zinc	150
Zinc	150
Push-On Retainers	150
Quick Change Discs	373
Quick Connects	438, 443, 445
Female Brass (Tin Plated) Vinyl Insulated	438
Male Brass (Tin Plated) Vinyl Insulated	438
Male Brass (Tin Plated) Nylon Insulated	438
Uninsulated	443
Quick Links	430
Quick Release Drill Bits	356
Quick Repair Washers	78
Quick Splices	439
Racks	181
Radial Ball Bearings	225-226
Rubber Seals Both Sides Imperial Sizes	226
Rubber Seals Both Sides Metric Sizes	224
RainX Rain Repellant	336
Rapid Links	430
Reamers	362-363
Type 50-UB Sets	363
Type 50-UB Ultra Bor Super Premium	362
Reciprocating Blades	381-382
Reduced Shank Drill Bits	350-351
Type 278 UB Ultra Bor Super Premium 135° Split Point	350
Type 280 UB Sets	351
Type 280 UB Ultra Bore Super Premium 135° Split Point	351
Type 281 UB Ultra Bor Super Premium 135° Split Point	351
Repair Kits	297
Repair Links	431
Replacement Balls for 3 Point Hitches	296
Resin Fibre Discs	373
Retaining Rings	147-149
External Spring Steel Phosphate Coated	147
Internal Spring Steel Phosphate Coated	148
Reversible Lock Nuts	61
Ring Terminals	436, 443, 445
Copper (Tin Plated) Vinyl Insulated	436
Heat Shrink Insulated	443, 445
Uninsulated	443
Rivet Nuts	139
Rivet Washers	77
Riveting Tools	388-390
Rivets-Open End Blind	135-138
Dome Head Aluminum Rivet Aluminum Mandrel	136
Dome Head Aluminum Rivet Aluminum Mandrel Black Anodized	136
Dome Head Aluminum Rivet Steel Mandrel	137
Dome Head Aluminum Rivet Steel Mandrel White	136
Dome Head Stainless Steel Rivet Stainless Steel Mandrel	137
Dome Head Steel Rivet Steel Mandrel	136
Large Flange Aluminum Rivet Aluminum Mandrel	136
Large Flange Aluminum Rivet Steel Mandrel	137
Large Flange Stainless Steel Rivet Stainless Steel Mandrel	137
Large Flange Steel Rivet Steel Mandrel	137
Trifold Dome Head Aluminum	138
Rivets-Solid	140-142
Rivets-Structural	138
Button Head Aluminum	138
Button Head Steel	138
Rod Ends	234
Roll Pins	125-127
Roller Chain	277-283
Agricultural	282-283
Economy ALI Brand	281-282
Premium HKK Brand	280
Roofing Sealant	454
Round Spot-Weld T Nuts	144
Rubber Straps	434
Rubberized Undercoating	336
Safety Chain	430
Sanding Belts	364
Sanding Discs	375-376
Sanding Sheets	376
Sash Chain	429
Saw Blades	379-380
Alumi-Cut Series	379
Cord-Free Series	380
Heavy Metal Series	379
Power Tool Series	380
Steel-Pro Series	379

INDEX

Steel-Pro Stabilizer Series	379	Shop Rolls	377
Sawzall Blades	381-382	Shop Towels	336
Screw Anchors	109	Shoulder Washers	77
Screw Extractors	355	Sickle Bar Rivets	142
Screw Eyes	35	Silicone	454
Screw Machine Length Drill Bits	353	Silicone Lubricant	332
Screw Pin Anchor Shackles	431	Single Jack Chain	429
Screws	79-103	Sleeve Anchors	108
Concrete	100	Sleeve Retainer	455
Drywall	103	Slime Tire Sealant	335
Machine	82-89	Slime Tube Sealant	335
Self Drilling	95-98	Slotted Jam Nuts	51
Sheet Metal	90-94	Slotted Nuts	50
Thread Cutting	98-99	Snap Spades	437, 444
Thread Forming	99	Copper (Tin Plated) Nylon Insulated	437
Wood	101-103	Copper (Tin Plated) Vinyl Insulated	437
Seafoam Deep Creep	329	Heat Shrink Insulated	444
Seafoam Motor Treatment	326	Socket Adapters	383, 387
Seafoam Spray	331	Socket Button Head Cap Screws	118
Seafoam Transtune	327	Socket Flat Head Cap Screws	116-117
Seal-All Adhesive	457	18/8 Stainless Steel Coarse Thread	117
Sealing Washers	78	Coarse Thread Plain Finish	116
Self Clinching Nuts	53	Fine Thread Plain Finish	117
Self Drilling Screws	95-98	Socket Head Cap Screws	113-114
Hex Washer Head Zinc Plated	95	18/8 Stainless Steel Coarse Thread	115
Hex Washer Head Procorr Coated	95	Coarse Thread Plain Finish	113-114
Hex Washer Head 410 Stainless Steel	96	Fine Thread Plain Finish	114-115
Phillips Flat Head Zinc Plated	96	Low Head Coarse Thread Plain Finish	115
Phillips Flat Head 410 Stainless Steel	96	Socket Set Screw	120-122
Phillips Flat Head Winged Wood to Metal Zinc Plated	96	18/8 Stainless Steel Cup Point Coarse Thread	121
Phillips Wafer Head Zinc Plated	97	Cone Point Coarse Thread Plain Finish	122
Phillips Wafer Head Winged Wood to Metal Zinc Plated	97	Cup Point Coarse Thread Plain Finish	120-121
Phillips Pan Head Zinc Plated	97	Cup Point Fine Thread Plain Finish	121
Phillips Pan Head 410 Stainless Steel	97	Knurled Cup Point Coarse Thread Plain Finish	122
Square Pan Head Zinc Plated	98	Knurled Cup Point Fine Thread Plain Finish	122
Semi Tubular Rivets	139	Socket Shoulder Screw	119
Serrated Flange Nuts	59	Solid Steel Rivets	141
Set Collars	301-302	Spacers	77
Double Split Black Oxide	302	Spades	437, 444, 445
Single Split Black Oxide	302	Special Ag Bearings	233
Solid Stainless Steel	302	Spiral Spring Pins	127
Solid Zinc Plated	301	Spring Links	431
Shaft Couplers	290-295	Spring Nuts	55
Hex Bore	294	Spring Pins	125-127
Jaw	290	420 Stainless Steel	126
Round Bore	294	Coiled	127
Tire	295	Zinc Plated	125-126
Weldahub Coupler	295	Springs	151
Sheet Metal Screws	90-94	Sprockets	251-255, 260-261
Hex Head Zinc Plated	94	Hardened Tooth Weld-On	254
Hex Washer Head 18/8 Stainless Steel	94	Idler	261
Hex Washer Head Zinc Plated	94	Steel Detachable Chain Cast	260
Phillips Flat Head 18/8 Stainless Steel	90	Steel Detachable Chain Weld-On	255
Phillips Flat Head Zinc Plated	90	Weld-On	251-255
Phillips Oval Head 18/8 Stainless Steel	92	Square Drive Bits	385, 386
Phillips Oval Head Zinc Plated	92	Square Head Bolts	39
Phillips Pan Head 18/8 Stainless Steel	91	Square Head Set Screw	123
Phillips Pan Head Zinc Plated	91	Square Nuts	48
Phillips Truss Head 18/8 Stainless Steel	92	Square Weld Nuts	145
Phillips Truss Head Zinc Plated	92	Stainless Steel Cable	423
Slotted/Phillips Combo Pan Head Zinc Plated	92	Star Drive Flat Head Wood Screws	101
Square Flat Head Zinc Plated	93	Starting Fluid	332
Square Pan Head Zinc Plated	93	Steel Detachable Chain	284
S-Hooks	432	Steel Detachable Chain Assemblies	286

INDEX

Bale Elevator Chain	286	Eye-Eye	424
Manure Spreader Webs	286	Jaw-Eye	424
Steel Detachable Chain Attachment Links	285-286	Jaw-Jaw	424
Step Bolts	32	Two Way Reversible Lock Nuts	61
Step Drill Bits	358	Type E Tapered Roller Bearings	229-230
Stoner Skid	329	U-Bolts	35-36
Storage	180-181	Round Bend Coarse Thread Zinc Plated	35
STP Diesel Fuel Treatment	325	Square Bend Coarse Thread Zinc Plated	36
Structural Bolts	38-39	Ultra Lube	321
A325 Coarse Thread Hot Dip Galvanized	39	Universal Joint Cross Bearings	297
A325 Coarse Thread Plain Finish	38	Universal Joint Repair Kits	297
Structural Washers	72	Unthreaded Rod	106
Surface Conditioning Discs	374-375	Vacuum Pump Oil	323
Surface Conditioning Hand Pads	374	Valve Grinding Compound	322
Surface Prep Wheels	369	Valves	406
Synthetic Engine Oil	311	V-Belts	262-276
Synthetic Gear Oil	310	Banded	272-273
Tap Wrench	360	Double V	275
Taper Shank Drill Bits	357	EPDM	262-265
Taps	359-362	Industrial	268-272
Type 20 General Purpose Spiral Point Plug Style	359	Lawn & Garden Kevlar Corded	265-268
Type 20-UB Ultra Bor Super Premium Spiral Point Plug Style	359	Link Belt	276
Type 25-UB Ultra Bor Super Premium Bottoming Style	360	Washers	64-78
Type 30-UB Taper Pipe Ultra Bor Super Premium Plug Style	360	Washers Beveled	72
Tarp Straps	434	Fender	73
T-Bar Chain	287	Finishing	78
Teflon Tape	458	Flat	64-69, 76
Terminal Blocks	452	Lock (Split)	70
Thread Cutting Screws	98-99	Lock (Toothed)	71
6 Lobe (Torx) Pan Head Type F Zinc Plated	98	Machinery Bushings	74-75
Hex Washer Head Type F Zinc Plated	99	Nylon	76-77
Phillips Pan Head Type F Zinc Plated	99	Quick Repair	78
Thread Forming Screws	99	Rivet	77
Thread Repair	176-177	Sealing	78
Thread Sealant	335	Shoulder	77
Threaded Inserts	176-177	Star	71
Threaded Rod	104-106	Structural	72
18/8 Stainless Steel Coarse Thread	105	Way Lube	324
Grade 2 Coarse Thread Plain Finish	104	WD-40	329
Grade 2 Coarse Thread Zinc Plated	104	Weatherstrip	458
Grade 2 Fine Thread Zinc Plated	104	Weatherstrip Adhesive	457
Grade B7 Coarse Thread Plain Finish	105	Wedge Anchors	107
Grade B7 Coarse Thread Yellow Zinc	105	Weld Nuts	143-145
Grade B7 Fine Thread Plain Finish	105	Weld Screw	146
Left Hand Grade 2 Coarse Thread Plain Finish	104	Weld Stud Concrete Anchors	110
Threaded Wood Inserts	150	Wheel Barrow Bearings	226
Threadlockers	454	Wheel Bolts	39
Thumb Screws	37	Wheel Nuts	55
Tire Care Foam	336	Windshield Wiper/Vacuum Tubing	420
Tire Couplers	295	Wing Nuts	47
Tire Sealant	335	Wire	448-449
Toggle Wings	110	Wire Brushes	377-378
Torx Drive Bits	385-386	Wire Nuts	440-441
Torx Flooring Screws	98	Grounding Connector	441
T-Pronged Nuts	48	Hex Winged	441
Tractor Hydraulic Fluid	308	Spring Loaded	440
Trailer Cable	449	Winged	441
Trailer Connectors	450	Wire Rope Blocks	249-250
Trailer Couplers	433	Flat Mount	250
Transfer Chain	283	Swivel Eye	249
Transmission Additives	327-328	Wire Rope Clips	422
T-Rod Chain	287	Wire Rope Clips Stainless Steel	424
Tube Connectors	54	Wire Rope Sleeves Aluminum Oval	423
Turnbuckles	424	Wire Rope Stops Aluminum	423

INDEX

Wire rope Thimbles	423
Wire Ties	446
UV Resistant Black	446
UV Resistant Black Screw Mount	446
Wood Screws	101-103
Combo Drive Round Washer Head Type 17 Tip 18/8 Stainless Steel	102
Combo Drive Round Washer Head Type 17 Tip Zinc Plated	102
Phillips Flat Head Brass	103
Phillips Flat Head Zinc Plated	103
Square Bugle Head Type 17 Tip 18/8 Stainless Steel	102
Square Flat Head Nibs under Head Type 17 Tip Black Oxide Finish	101
Square Flat Head Nibs under Head Type 17 Tip Exterior Coating	101
Square Flat Head Nibs under Head Type 17 Tip Zinc Plated	101
Star Drive Flat Head Nibs under Head Type 17 Tip Exterior Coated	101
Woodruff Keys	300
Yoke Ends	151
Zerks	303-304
Zip Ties	446

